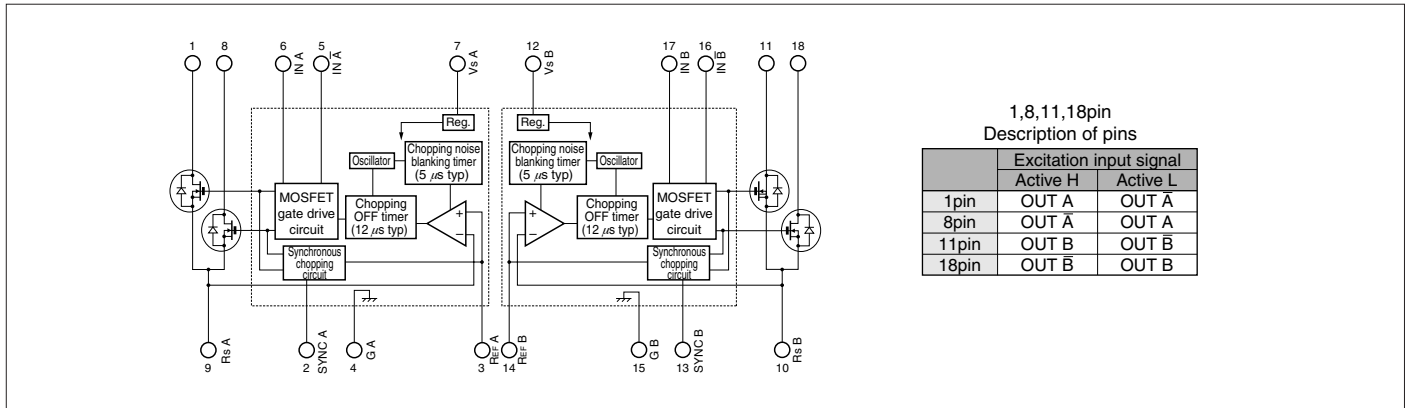
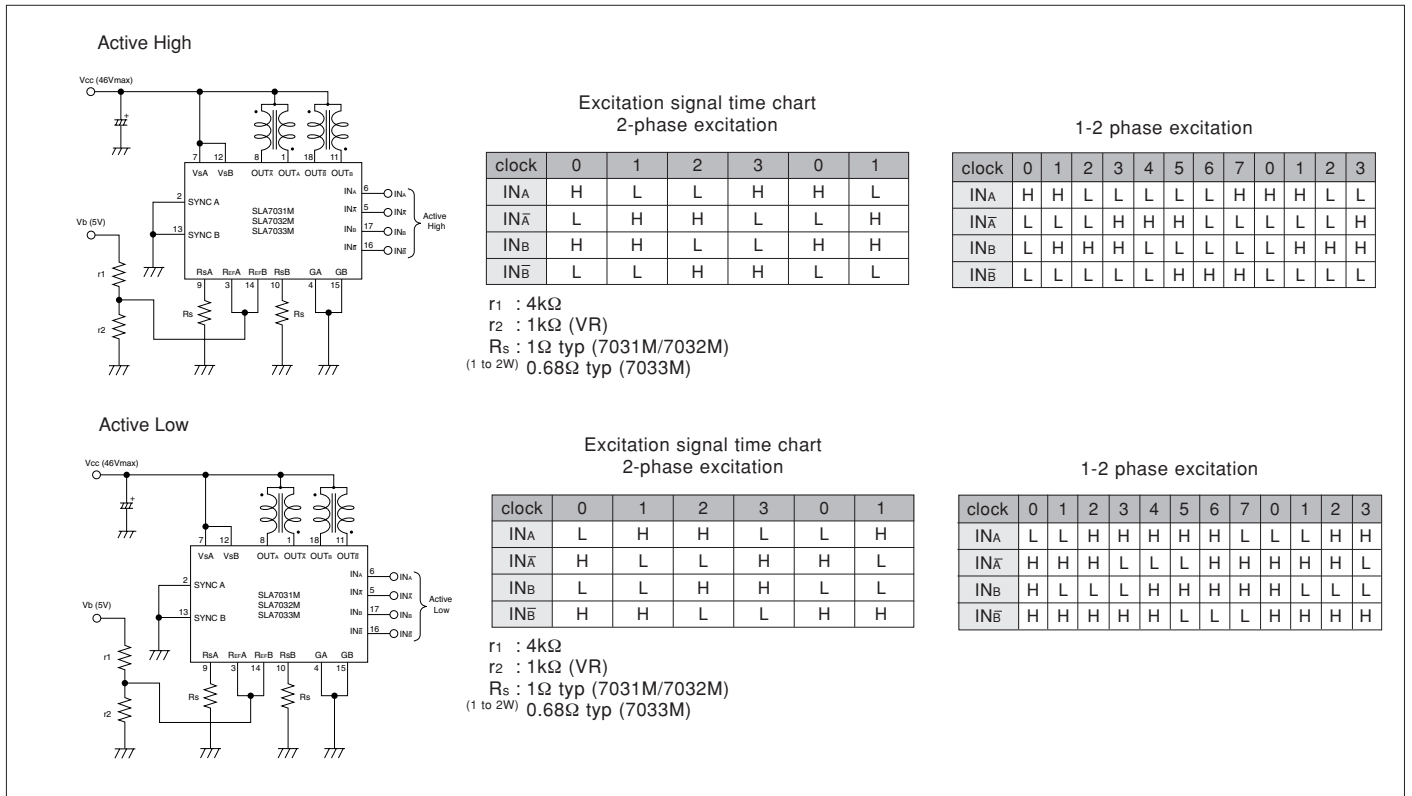


Internal Block Diagram



Typical Connection Diagram (Recommended component values)



External Dimensions (ZIP18 with Fin [SLA18Pin])

(Unit : mm)

