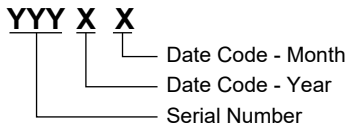


**PACKAGE/ORDERING INFORMATION**

MODEL	V <sub>OUT</sub> (V)	PACKAGE DESCRIPTION	SPECIFIED TEMPERATURE RANGE	ORDERING NUMBER	PACKAGE MARKING	PACKING OPTION
SGM2028-2.8	2.8	SOT-23-5	-40°C to +85°C	SGM2028-2.8YN5G/TR	S58XX	Tape and Reel, 3000
SGM2028-3.0	3.0	SOT-23-5	-40°C to +85°C	SGM2028-3.0YN5G/TR	G68XX	Tape and Reel, 3000
SGM2028-3.3	3.3	SOT-23-5	-40°C to +85°C	SGM2028-3.3YN5G/TR	S55XX	Tape and Reel, 3000
SGM2028-ADJ	ADJ	SOT-23-5	-40°C to +85°C	SGM2028-ADJYN5G/TR	S4BXX	Tape and Reel, 3000

**MARKING INFORMATION**

NOTE: XX = Date Code.



Green (RoHS & HSF): SG Micro Corp defines "Green" to mean Pb-Free (RoHS compatible) and free of halogen substances. If you have additional comments or questions, please contact your SGMICRO representative directly.

**ABSOLUTE MAXIMUM RATINGS**

IN to GND .....	-0.3V to 6V
Output Short-Circuit Duration.....	Infinite
EN to GND.....	-0.3V to (V <sub>IN</sub> +0.3V)
OUT, BP/FB to GND.....	-0.3V to (V <sub>IN</sub> + 0.3V)
Power Dissipation, P <sub>D</sub> @ T <sub>A</sub> = +25°C	
SOT-23-5.....	0.53W
Package Thermal Resistance	
SOT-23-5, θ <sub>JA</sub> .....	235°C/W
Junction Temperature.....	+150°C
Storage Temperature Range.....	-65°C to +150°C
Lead Temperature (Soldering, 10s).....	+260°C
ESD Susceptibility	
HBM.....	4000V
MM.....	400V

**RECOMMENDED OPERATING CONDITIONS**

Input Voltage Range .....	2.5V to 5.5V
Operating Temperature Range .....	-40°C to +85°C

**OVERSTRESS CAUTION**

Stresses beyond those listed in Absolute Maximum Ratings may cause permanent damage to the device. Exposure to absolute maximum rating conditions for extended periods may affect reliability. Functional operation of the device at any conditions beyond those indicated in the Recommended Operating Conditions section is not implied.

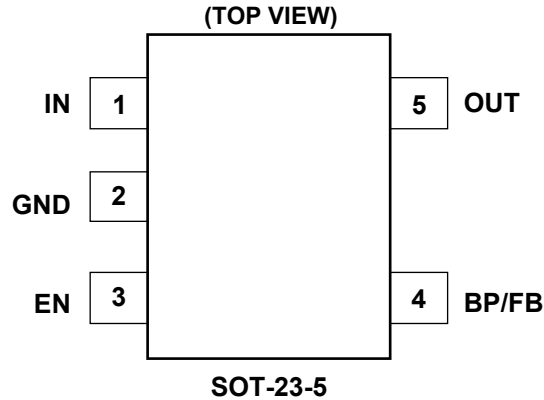
**ESD SENSITIVITY CAUTION**

This integrated circuit can be damaged by ESD if you don't pay attention to ESD protection. SGMICRO recommends that all integrated circuits be handled with appropriate precautions. Failure to observe proper handling and installation procedures can cause damage. ESD damage can range from subtle performance degradation to complete device failure. Precision integrated circuits may be more susceptible to damage because very small parametric changes could cause the device not to meet its published specifications.

**DISCLAIMER**

SG Micro Corp reserves the right to make any change in circuit design, or specifications without prior notice.

**PIN CONFIGURATION**



**PIN DESCRIPTION**

PIN	NAME	FUNCTION
1	IN	Regulator Input. Supply voltage can range from 2.5V to 5.5V. Bypass with a 1µF capacitor to GND.
2	GND	Ground.
3	EN	Shutdown Input. A logic low reduces the supply current to 10nA. Connect to IN for normal operation.
4	BP	Reference-Noise Bypass (fixed voltage version only). Bypass with a low-leakage 0.01µF ceramic capacitor for reduced noise at the output.
	FB	Feedback Pin (adjustable voltage version only). This is used to set the output voltage of the device.
5	OUT	Regulator Output.

## ELECTRICAL CHARACTERISTICS

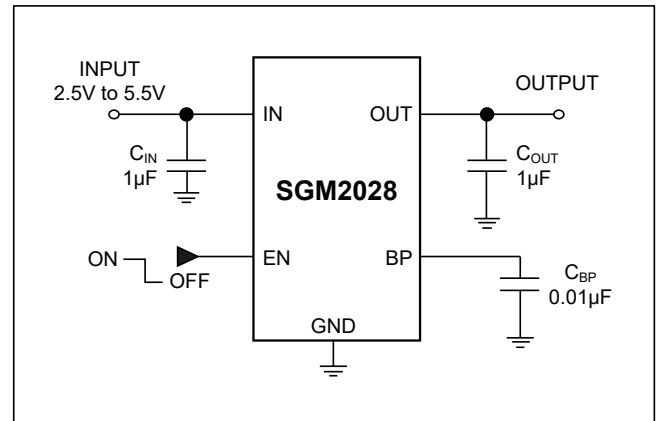
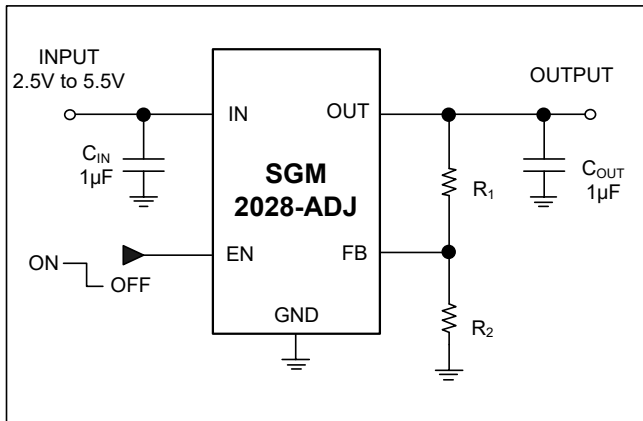
( $V_{IN} = V_{OUT (NOMINAL)} + 0.5V$  or  $2.5V$ , whichever is greater, Full =  $-40^{\circ}C$  to  $+85^{\circ}C$ . For SGM2028-ADJ,  $V_{OUT} = 3.3V$ , unless otherwise noted.)

PARAMETER	SYMBOL	CONDITIONS	TEMP	MIN	TYP	MAX	UNITS	
Input Voltage	$V_{IN}$		+25°C	2.5		5.5	V	
Output Voltage Accuracy		$I_{OUT} = 0.1mA$	+25°C	-3		+3	%	
Maximum Output Current <sup>(1)</sup>			+25°C	500			mA	
Current Limit	$I_{LIM}$		+25°C	510			mA	
Ground Pin Current	$I_Q$	No load, $V_{EN} = 2V$	+25°C		115	220	$\mu A$	
Dropout Voltage <sup>(2)</sup>		$I_{OUT} = 100mA$	+25°C		54	90	mV	
		$I_{OUT} = 300mA$			162	270		
		$I_{OUT} = 500mA$			270	420		
Line Regulation	$\Delta V_{LNR}$	$V_{IN} = V_{OUT} + 0.5V$ to $5.5V$ , $I_{OUT} = 1mA$	+25°C		0.02	0.095	%/V	
Load Regulation	$\Delta V_{LDR}$	$I_{OUT} = 0.1mA$ to $500mA$ , $C_{OUT} = 1\mu F$	+25°C		0.0025	0.0075	%/mA	
Output Voltage Noise	$e_n$	$f = 10Hz$ to $100kHz$ , $C_{BP} = 0.01\mu F$ , $C_{OUT} = 10\mu F$	+25°C		30		$\mu V_{RMS}$	
Power Supply Rejection Ratio	PSRR	$C_{BP} = 0.1\mu F$ , $I_{OUT} = 50mA$ , $C_{OUT} = 1\mu F$ , $V_{IN} = V_{OUT} + 1V$	$f = 217Hz$	+25°C		77		dB
			$f = 1kHz$	+25°C		73		dB
<b>Shutdown</b>								
EN Input Threshold	$V_{IH}$	$V_{IN} = 2.5V$ to $5.5V$	Full	1.5			V	
	$V_{IL}$		Full			0.3		
Shutdown Supply Current	$I_{Q(SHDN)}$	$V_{EN} = 0.3V$	+25°C		0.01		$\mu A$	
Shutdown Exit Delay <sup>(3)</sup>		$C_{BP} = 0.01\mu F$ , $C_{OUT} = 1\mu F$ , no load	+25°C		30		$\mu s$	
<b>Thermal Protection</b>								
Thermal Shutdown Temperature	$T_{SHDN}$				150		°C	
Thermal Shutdown Hysteresis	$\Delta T_{SHDN}$				15		°C	

## NOTES:

- Maximum output current is affected by PCB layout, size of metal trace, the thermal conduction path between metal layers and the environment of the system.
- The dropout voltage is defined as  $V_{IN} - V_{OUT}$ , when  $V_{OUT}$  is 100mV below the value of  $V_{OUT}$  for  $V_{IN} = V_{OUT} + 0.5V$ . (Only applicable for  $V_{OUT} = +2.5V$  to  $+5.0V$ .)
- Time needed for  $V_{OUT}$  to reach 90% of final value.

## TYPICAL APPLICATION CIRCUITS

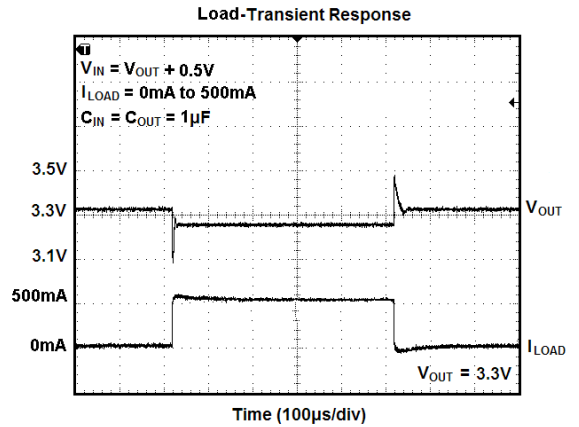
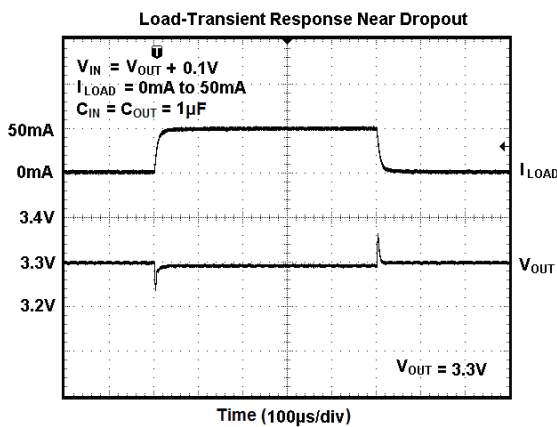
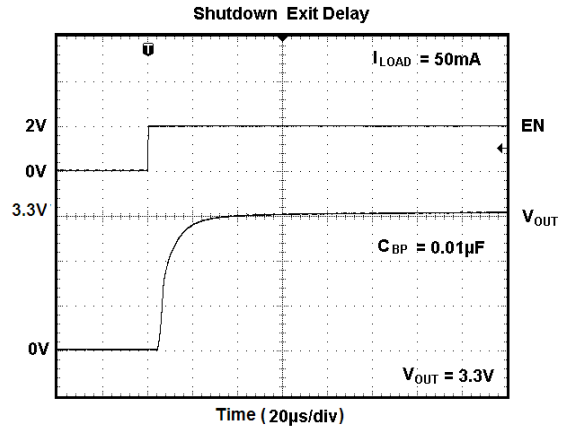
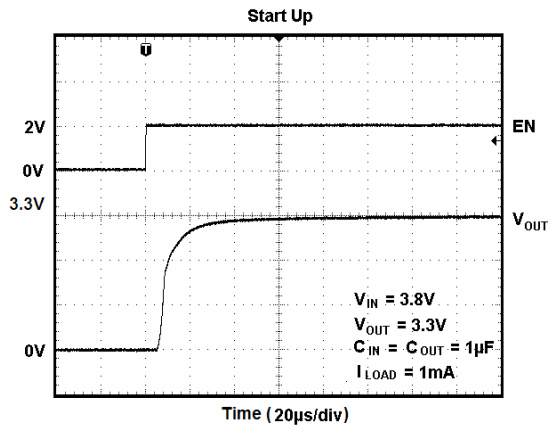
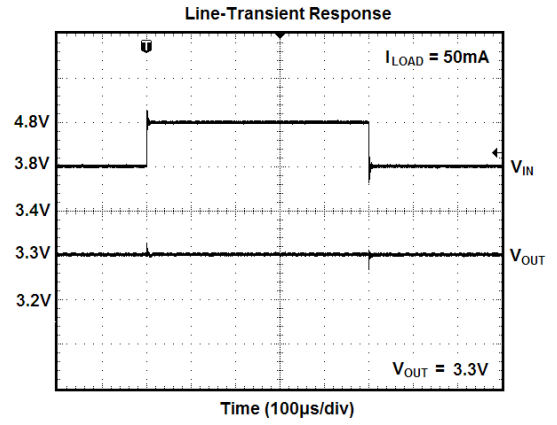
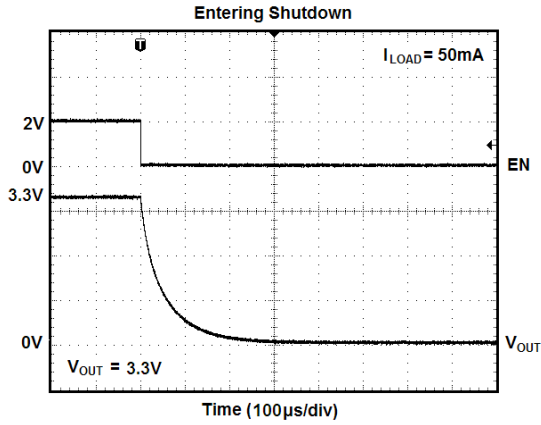


NOTE: Choose  $R_2 = 47k\Omega$  to maintain a  $26\mu A$  minimum load. Calculate the value for  $R_1$  using the following equation:

$$R_1 = R_2 \times \left( \frac{V_{OUT}}{1.206V} - 1 \right)$$

TYPICAL PERFORMANCE CHARACTERISTICS

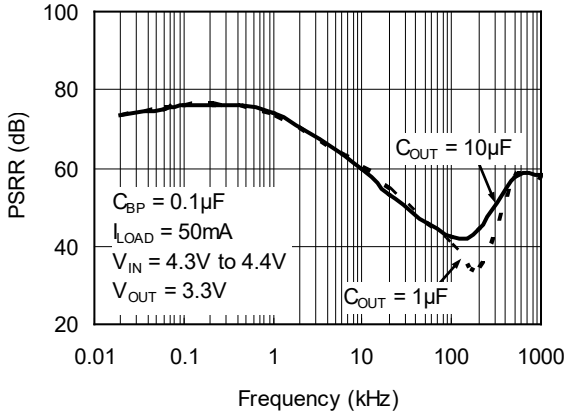
$V_{IN} = V_{OUT (NOMINAL)} + 0.5V$  or  $2.5V$ , whichever is greater,  $C_{IN} = 1\mu F$ ,  $C_{OUT} = 1\mu F$ ,  $C_{BP} = 0.01\mu F$ ,  $T_A = +25^\circ C$ , unless otherwise noted.



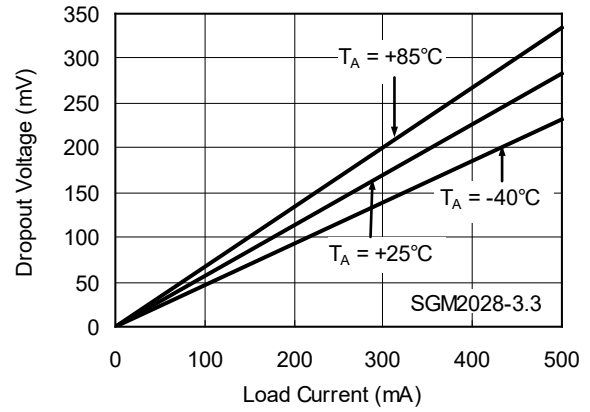
TYPICAL PERFORMANCE CHARACTERISTICS (continued)

$V_{IN} = V_{OUT (NOMINAL)} + 0.5V$  or  $2.5V$ , whichever is greater,  $C_{IN} = 1\mu F$ ,  $C_{OUT} = 1\mu F$ ,  $C_{BP} = 0.01\mu F$ ,  $T_A = +25^\circ C$ , unless otherwise noted.

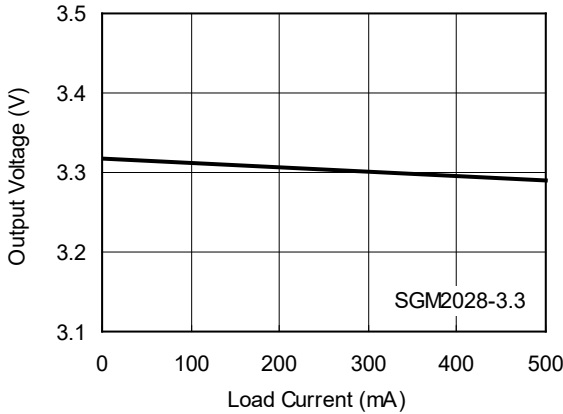
Power Supply Rejection Ratio vs. Frequency



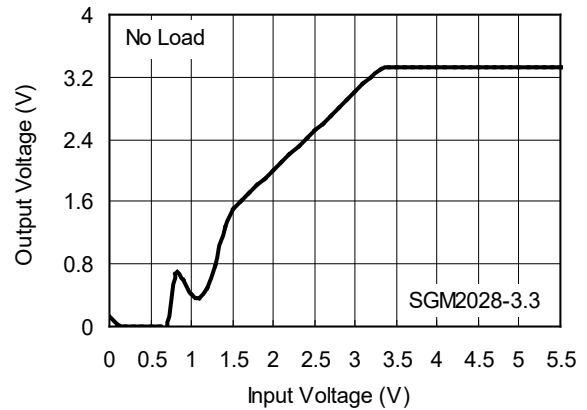
Dropout Voltage vs. Load Current



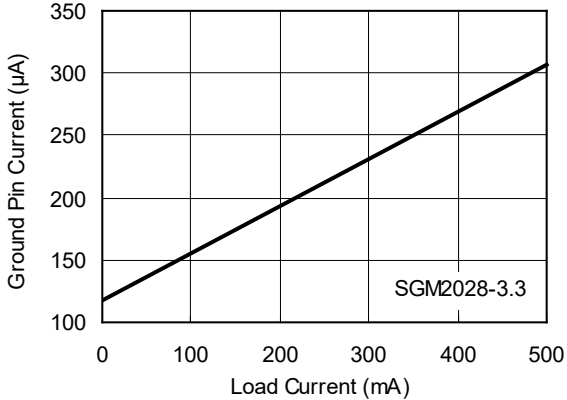
Output Voltage vs. Load Current



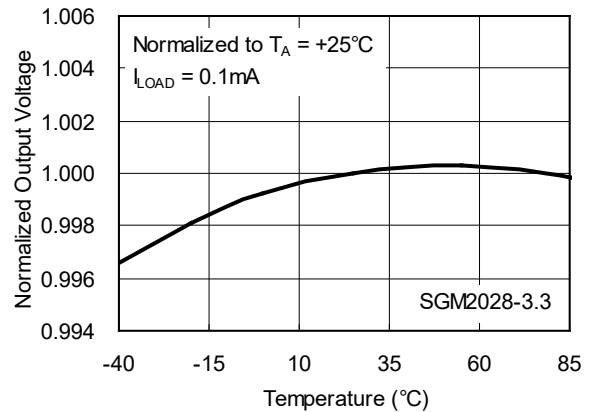
Output Voltage vs. Input Voltage



Ground Pin Current vs. Load Current

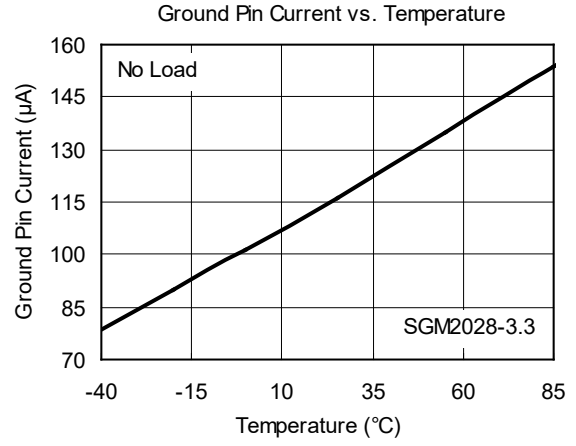
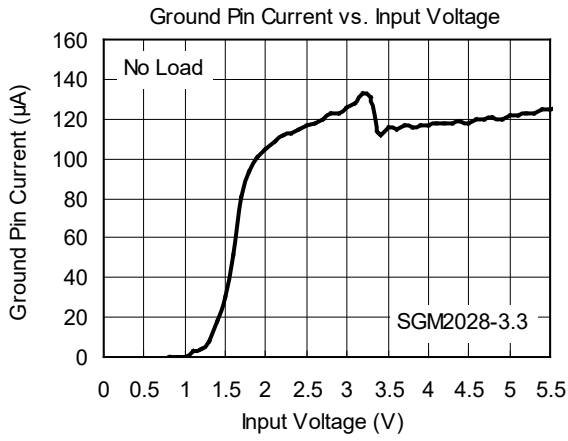


Normalized Output Voltage vs. Temperature



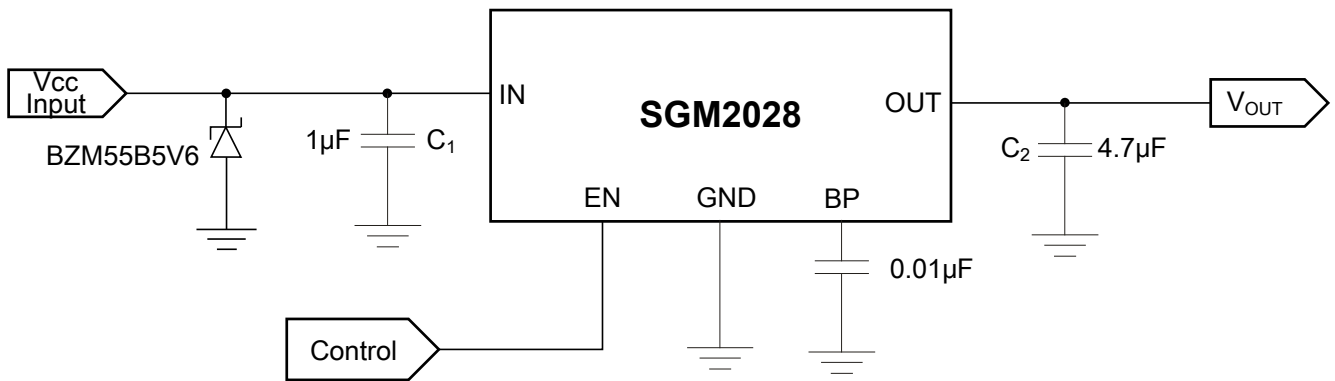
**TYPICAL PERFORMANCE CHARACTERISTICS (continued)**

$V_{IN} = V_{OUT (NOMINAL)} + 0.5V$  or  $2.5V$ , whichever is greater,  $C_{IN} = 1\mu F$ ,  $C_{OUT} = 1\mu F$ ,  $C_{BP} = 0.01\mu F$ ,  $T_A = +25^\circ C$ , unless otherwise noted.



**APPLICATION NOTE**

When LDO is used in handheld products, attention must be paid to voltage spikes which could damage SGM2028. In such applications, voltage spikes will be generated at charger interface and  $V_{BUS}$  pin of USB interface when charger adapters and USB equipments are hot-plugged. Besides this, handheld products will be tested on the production line without battery. Test engineer will apply power from the connector pin which connects with positive pole of the battery. When external power supply is turned on suddenly, the voltage spikes will be generated at the battery connector. The voltage spikes will be very high, and it always exceeds the absolute maximum input voltage (6.0V) of LDO. In order to get robust design, design engineer needs to clear up this voltage spike. Zener diode is a cheap and effective solution to eliminate such voltage spike. For example, BZM55B5V6 is a 5.6V small package Zener diode which can be used to remove voltage spikes in cell phone designs. The schematic is shown below.



**REVISION HISTORY**

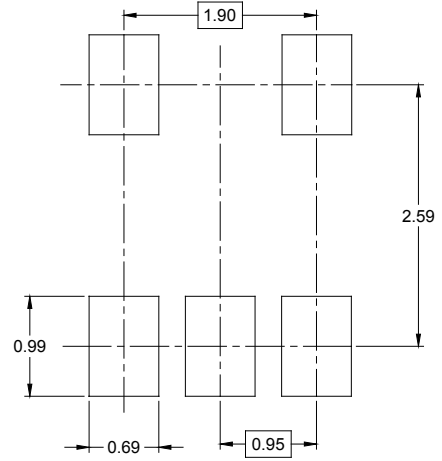
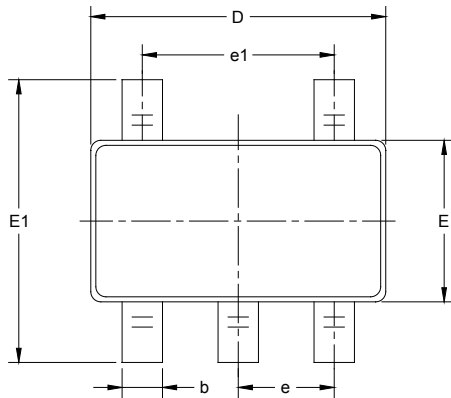
NOTE: Page numbers for previous revisions may differ from page numbers in the current version.

<b>JUNE 2020 – REV.B.3 to REV.B.4</b> .....	<b>Page</b>
Updated Absolute Maximum Ratings section.....	2
<b>OCTOBER 2016 – REV.B.2 to REV.B.3</b> .....	<b>Page</b>
Added SGM2028-3.0 version (110kΩ Pull Down Resistor at EN Pin).....	All
<b>MAY 2016 – REV.B.1 to REV.B.2</b> .....	<b>Page</b>
Changed Normalized Output Voltage vs. Temperature.....	7
<b>DECEMBER 2013 – REV.B to REV.B.1</b> .....	<b>Page</b>
Added 2.8V Output Voltage and ADJ .....	All
Changed Electrical Characteristics section .....	4
Changed Typical Application Circuits section .....	5
Changed Typical Performance Characteristics section .....	7, 8
<b>JUNE 2013 – REV.A.4 to REV.B</b> .....	<b>Page</b>
Deleted 2.8V Output Voltage .....	All

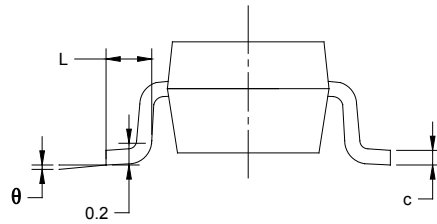
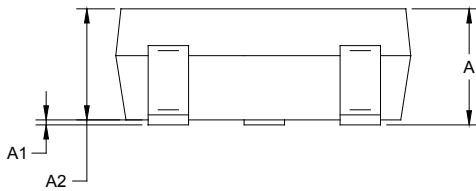


PACKAGE OUTLINE DIMENSIONS

SOT-23-5



RECOMMENDED LAND PATTERN (Unit: mm)

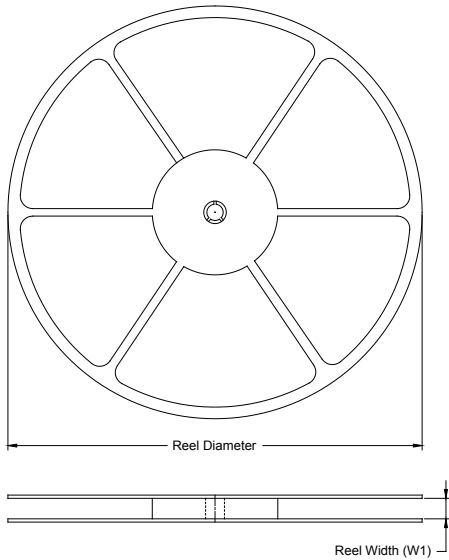


Symbol	Dimensions In Millimeters		Dimensions In Inches	
	MIN	MAX	MIN	MAX
A	1.050	1.250	0.041	0.049
A1	0.000	0.100	0.000	0.004
A2	1.050	1.150	0.041	0.045
b	0.300	0.500	0.012	0.020
c	0.100	0.200	0.004	0.008
D	2.820	3.020	0.111	0.119
E	1.500	1.700	0.059	0.067
E1	2.650	2.950	0.104	0.116
e	0.950 BSC		0.037 BSC	
e1	1.900 BSC		0.075 BSC	
L	0.300	0.600	0.012	0.024
$\theta$	0°	8°	0°	8°

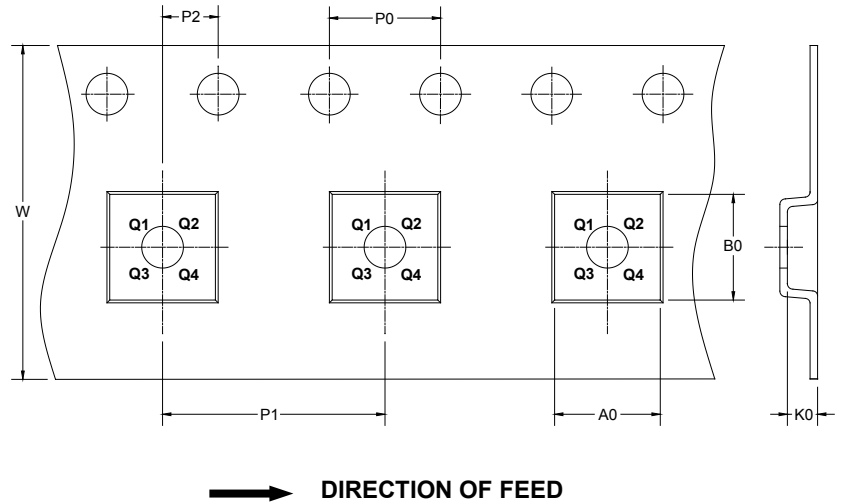
# PACKAGE INFORMATION

## TAPE AND REEL INFORMATION

### REEL DIMENSIONS



### TAPE DIMENSIONS



NOTE: The picture is only for reference. Please make the object as the standard.

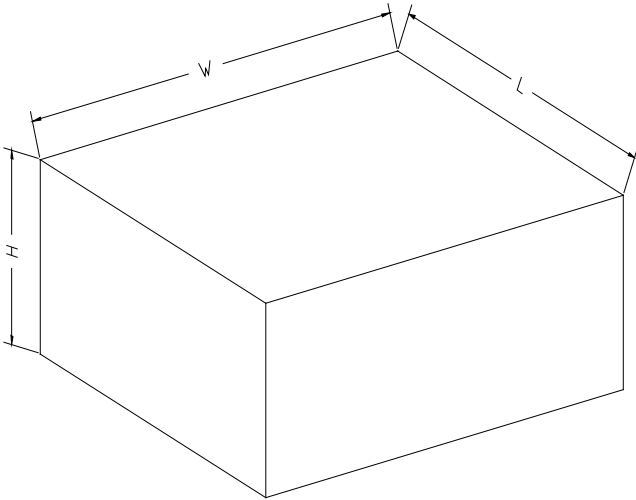
### KEY PARAMETER LIST OF TAPE AND REEL

Package Type	Reel Diameter	Reel Width W1 (mm)	A0 (mm)	B0 (mm)	K0 (mm)	P0 (mm)	P1 (mm)	P2 (mm)	W (mm)	Pin1 Quadrant
SOT-23-5	7"	9.5	3.20	3.20	1.40	4.0	4.0	2.0	8.0	Q3

000001

# PACKAGE INFORMATION

## CARTON BOX DIMENSIONS



NOTE: The picture is only for reference. Please make the object as the standard.

## KEY PARAMETER LIST OF CARTON BOX

Reel Type	Length (mm)	Width (mm)	Height (mm)	Pizza/Carton
7" (Option)	368	227	224	8
7"	442	410	224	18

DD0002