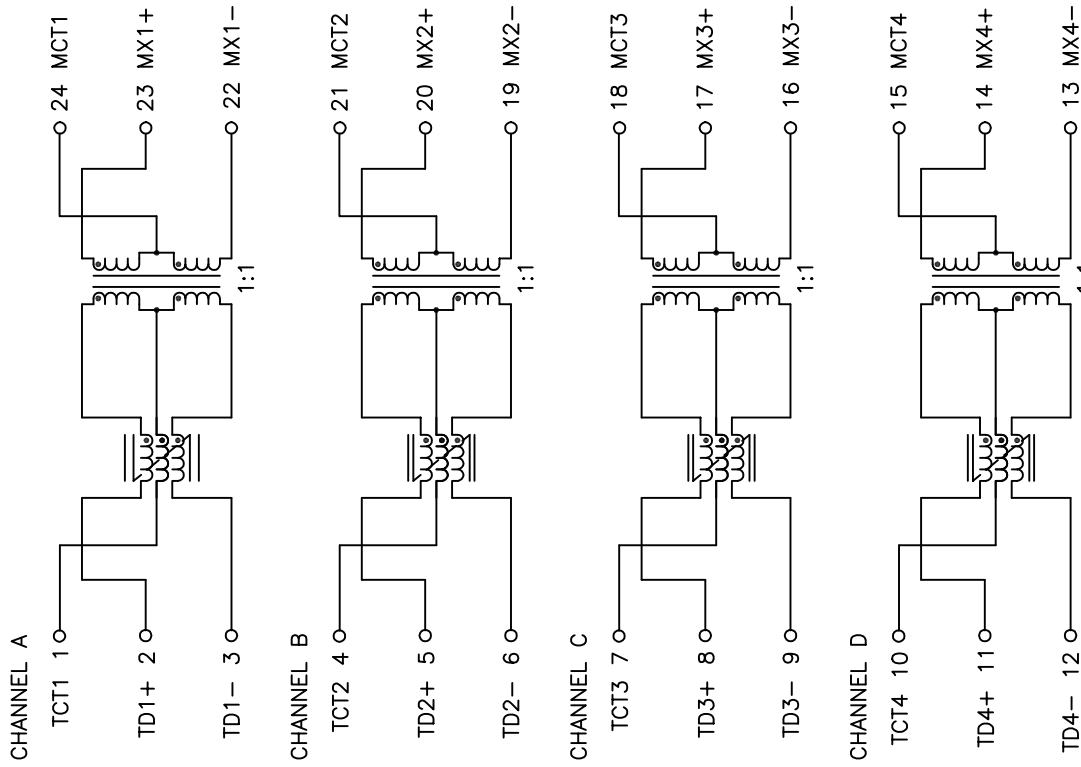
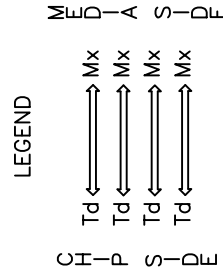




ELECTRICAL CHARACTERISTICS AT +25°C UNLESS OTHER SPECIFIED  
MEETS IEEE 802.3 SPECIFICATION



SCHEMATIC



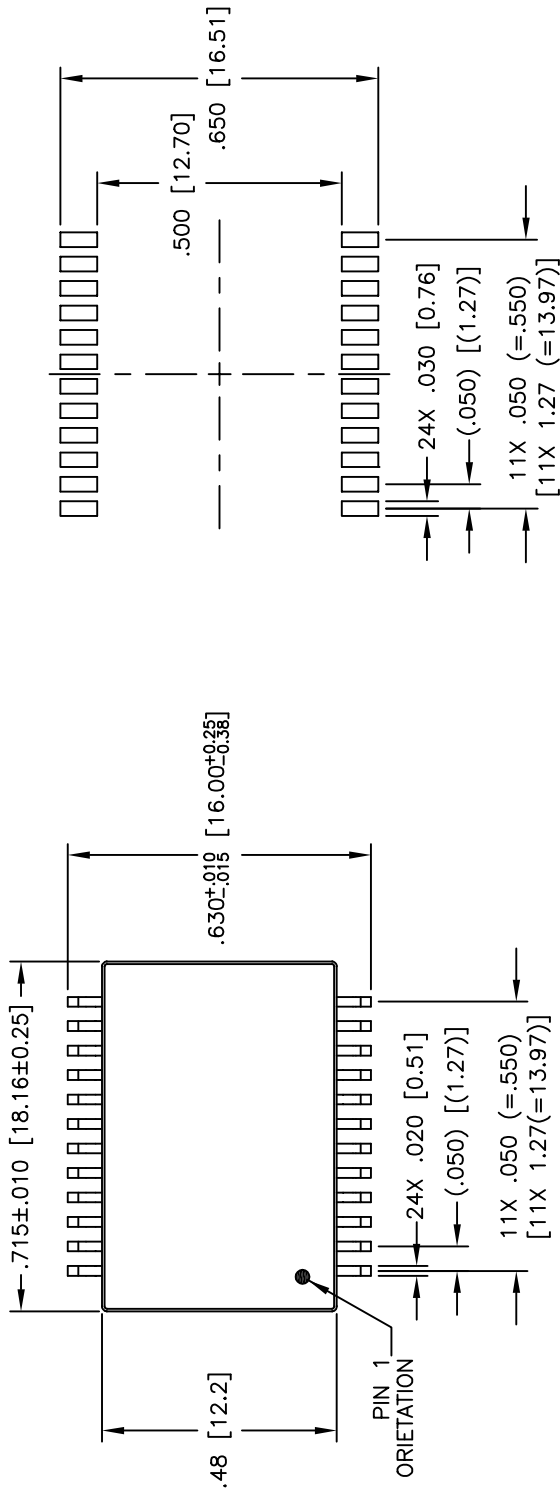
ALL CHANNELS ARE IN PHASE BETWEEN INPUT AND OUTPUT

PARAMETER	SPECIFICATIONS
OPERATING TEMPERATURE	-40°C - +85°C
TURNS RATIO	1.00 ± 2%
INTERWINDING CAPACITANCE (C <sub>ww</sub> )	20 pF TYP. @ 1 MHz
LEAKAGE INDUCTANCE (LL)	250 nH TYP. @ 100 kHz, 100 mV
TURNS RATIO	1.00 ± 2%
INSERTION LOSS	100 KHz
	1-125 MHz
	-1.2 dB MAX
RETURN LOSS (Z OUT = 100 OHM ±15%)	1-40 MHz
	40-100 MHz
	-16 dB MIN -10+20*LOG <sub>10</sub> (f/80 MHz) dB MIN
INDUCTANCE (OCL) (MEDIA SIDE, -40 - +85°C)	350 uH MIN @ +25°C
	300 uH MIN CROSS -40°C~85°C (MEASURED AT 100 KHz, 100 mVRMS) (WITH 24 mA DC BIAS)
	10-100 MHz
CROSSTALK, ADJACENT CHANNELS	1 MHz
	-50 dB MIN
	-55+22*LOG <sub>10</sub> (f/10) dB MIN
COMMON MODE REJECTION RATIO	2 MHz
	30-200 MHz
	-50 dB MIN
DC CURRENT/VOLTAGE RATING	720 mA, @ 57 V (CONTINUOUS)
	.30 OHMS TYP.
DC RESISTANCE, 1/2 WINDING	±.05 OHMS MAX (CENTER TAP SYMMETRY)
	1500 VRMS MIN @ 60 SECONDS
INPUT - OUTPUT ISOLATION	

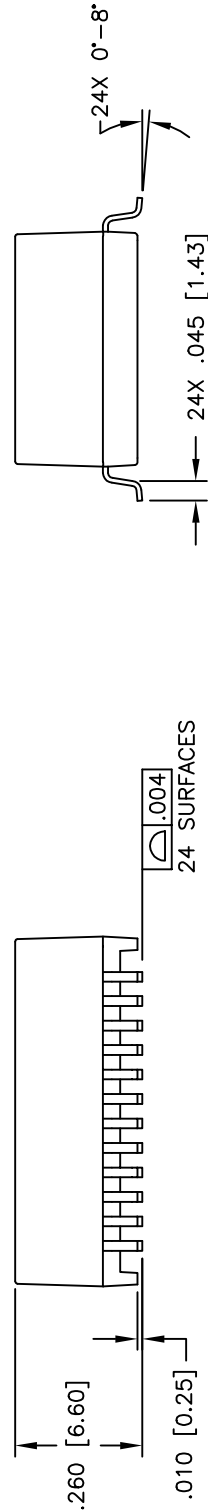
NOTE: f IS FREQUENCY IN MHZ.

© Copyright, 2015, Pulse Electronics Corp. All rights reserved. Pulse confidential & proprietary. (07/30/15)

PRODUCT DESCRIPTION	TLA DRAWING	PS DRAWING	SHEET	PART NO.	DATASHEET REV.
MDL,SIN,1GP,1:1,SM,TU	HX6096NL-13	PS-2473.001-A	2 OF 3	HX6096NL	A



SUGGESTED LAND PATTERN



DIMENSIONS ARE IN INCHES [MILLIMETERS] WITH THE FOLLOWING TOLERANCES: [MILLIMETERS] ARE FOR REFERENCE ONLY.  
.XX = ±.02 [±0.5]  
.XXX = ±.010 [±0.25]

© Copyright, 2015, Pulse Electronics Corp. All rights reserved. Pulse confidential & proprietary. (07/30/15)

PRODUCT DESCRIPTION	TLA DRAWING	PS DRAWING	SHEET	PART NO.	DATASHEET REV.
MDL,SIN,1GP,1:1,SM,TU	HX6096NL-13	PS-2473.001-A	3 OF 3	HX6096NL	A