

Ordering Information

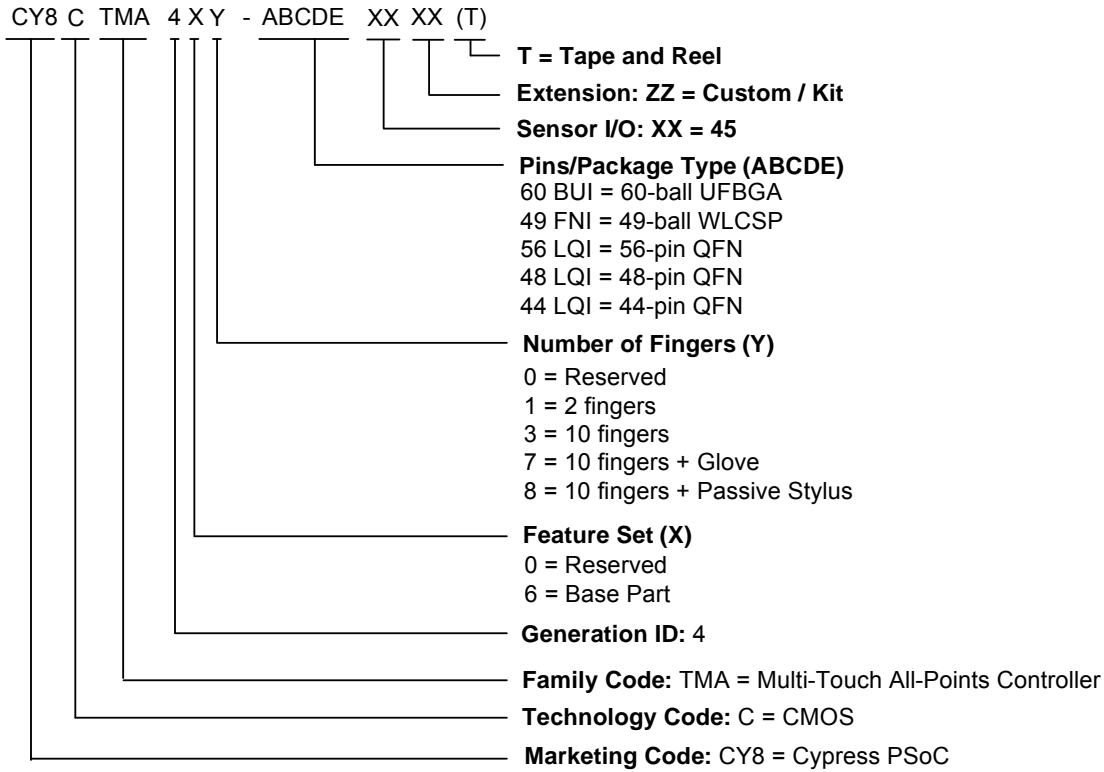
Table 1 lists the CY8CTMA46X (Gen4) TrueTouch touchscreen controllers. For information on other TrueTouch families, visit <http://www.cypress.com/truetouch>.

Table 1. Device Ordering Information

Family	Part Number	Sense Pins	Typ Screen Size (inches) ^[1]	Max Fingers	ChargerArmor	CapSense Button	Water Rejection	Large Object	10V TX	Glove	External Display Sync	Passive Stylus	Package Type
Base	CY8CTMA461-48LQI(T)	35	4.6	2	✓	✓	✓	✓	✓	-	✓	-	48-Pin QFN
	CY8CTMA463-44LQI(T)	31	4.1	10	✓	✓	✓	✓	✓	-	✓	-	44-Pin QFN
	CY8CTMA463-48LQI(T)	35	4.6	10	✓	✓	✓	✓	✓	-	✓	-	48-Pin QFN
	CY8CTMA463-56LQI(T)	44	5.8	10	✓	✓	✓	✓	✓	-	✓	-	56-Pin QFN
	CY8CTMA463-49FNIT	36	4.8	10	✓	✓	✓	✓	✓	-	✓	-	49-Ball WLCSP
	CY8CTMA463-60BUI(T)	45	5.9	10	✓	✓	✓	✓	✓	-	✓	-	60-Ball UFBGA
Glove	CY8CTMA467-44LQI(T)	31	4.1	10	✓	-	✓	✓	✓	✓	✓	-	44-Pin QFN
	CY8CTMA467-48LQI(T)	35	4.6	10	✓	-	✓	✓	✓	✓	✓	-	48-Pin QFN
	CY8CTMA467-56LQI(T)	44	5.8	10	✓	-	✓	✓	✓	✓	✓	-	56-Pin QFN
	CY8CTMA467-49FNIT	36	4.8	10	✓	-	✓	✓	✓	✓	✓	-	49-Ball WLCSP
	CY8CTMA467-60BUI(T)	45	5.9	10	✓	-	✓	✓	✓	✓	✓	-	60-Ball UFBGA
Passive Stylus	CY8CTMA468-44LQI(T)	31	4.1	10	✓	-	✓	✓	✓	-	✓	✓	44-Pin QFN
	CY8CTMA468-48LQI(T)	35	4.6	10	✓	-	✓	✓	✓	-	✓	✓	48-Pin QFN
	CY8CTMA468-56LQI(T)	44	5.8	10	✓	-	✓	✓	✓	-	✓	✓	56-Pin QFN
	CY8CTMA468-49FNIT	36	4.8	10	✓	-	✓	✓	✓	-	✓	✓	49-Ball WLCSP
	CY8CTMA468-60BUI(T)	45	5.9	10	✓	-	✓	✓	✓	-	✓	✓	60-Ball UFBGA
Custom Reserved for Kits	CY8CTMA400-44LQI(T)	31	4.1	10	✓	✓	✓	✓	✓	✓	✓	-	44-Pin QFN
	CY8CTMA400-48LQI(T)	35	4.6	10	✓	✓	✓	✓	✓	✓	✓	-	48-Pin QFN
	CY8CTMA400-56LQI(T)	44	5.8	10	✓	✓	✓	✓	✓	✓	✓	-	56-Pin QFN
	CY8CTMA400-49FNIT	36	4.8	10	✓	✓	✓	✓	✓	✓	✓	-	49-Ball WLCSP
	CY8CTMA400-60BUI(T)	45	5.9	10	✓	✓	✓	✓	✓	✓	✓	-	60-Ball UFBGA

Note
1. 4.7 mm pitch, 4:3 aspect ratio.

Ordering Code Definitions



Document History Page

Document Title: CY8CTMA46X TrueTouch® Multi-Touch All-Points Touchscreen Controller Document Number: 001-91021				
Revision	ECN	Orig. of Change	Submission Date	Description of Change
**	4274818	SWU	02/11/2014	New summary datasheet.
*A	5284373	ELG	05/26/2016	Removed Windows Phone Support. Revised grammar for charger noise. Aligned charger noise support in order information table with features list. Updated template.

Sales, Solutions, and Legal Information

Worldwide Sales and Design Support

Cypress maintains a worldwide network of offices, solution centers, manufacturer's representatives, and distributors. To find the office closest to you, visit us at [Cypress Locations](#).

Products

ARM® Cortex® Microcontrollers	cypress.com/arm
Automotive	cypress.com/automotive
Clocks & Buffers	cypress.com/clocks
Interface	cypress.com/interface
Lighting & Power Control	cypress.com/powerpsoc
Memory	cypress.com/memory
PSoC	cypress.com/psoc
Touch Sensing	cypress.com/touch
USB Controllers	cypress.com/usb
Wireless/RF	cypress.com/wireless

PSoC® Solutions

[PSoC 1](#) | [PSoC 3](#) | [PSoC 4](#) | [PSoC 5LP](#)

Cypress Developer Community

[Forums](#) | [Projects](#) | [Video](#) | [Blogs](#) | [Training](#) | [Components](#)

Technical Support

cypress.com/support

© Cypress Semiconductor Corporation, 2014-2016. This document is the property of Cypress Semiconductor Corporation and its subsidiaries, including Spansion LLC ("Cypress"). This document, including any software or firmware included or referenced in this document ("Software"), is owned by Cypress under the intellectual property laws and treaties of the United States and other countries worldwide. Cypress reserves all rights under such laws and treaties and does not, except as specifically stated in this paragraph, grant any license under its patents, copyrights, trademarks, or other intellectual property rights. If the Software is not accompanied by a license agreement and you do not otherwise have a written agreement with Cypress governing the use of the Software, then Cypress hereby grants you a personal, non-exclusive, nontransferable license (without the right to sublicense) (1) under its copyright rights in the Software (a) for Software provided in source code form, to modify and reproduce the Software solely for use with Cypress hardware products, only internally within your organization, and (b) to distribute the Software in binary code form externally to end users (either directly or indirectly through resellers and distributors), solely for use on Cypress hardware product units, and (2) under those claims of Cypress's patents that are infringed by the Software (as provided by Cypress, unmodified) to make, use, distribute, and import the Software solely for use with Cypress hardware products. Any other use, reproduction, modification, translation, or compilation of the Software is prohibited.

TO THE EXTENT PERMITTED BY APPLICABLE LAW, CYPRESS MAKES NO WARRANTY OF ANY KIND, EXPRESS OR IMPLIED, WITH REGARD TO THIS DOCUMENT OR ANY SOFTWARE OR ACCOMPANYING HARDWARE, INCLUDING, BUT NOT LIMITED TO, THE IMPLIED WARRANTIES OF MERCHANTABILITY AND FITNESS FOR A PARTICULAR PURPOSE. To the extent permitted by applicable law, Cypress reserves the right to make changes to this document without further notice. Cypress does not assume any liability arising out of the application or use of any product or circuit described in this document. Any information provided in this document, including any sample design information or programming code, is provided only for reference purposes. It is the responsibility of the user of this document to properly design, program, and test the functionality and safety of any application made of this information and any resulting product. Cypress products are not designed, intended, or authorized for use as critical components in systems designed or intended for the operation of weapons, weapons systems, nuclear installations, life-support devices or systems, other medical devices or systems (including resuscitation equipment and surgical implants), pollution control or hazardous substances management, or other uses where the failure of the device or system could cause personal injury, death, or property damage ("Unintended Uses"). A critical component is any component of a device or system whose failure to perform can be reasonably expected to cause the failure of the device or system, or to affect its safety or effectiveness. Cypress is not liable, in whole or in part, and you shall and hereby do release Cypress from any claim, damage, or other liability arising from or related to all Unintended Uses of Cypress products. You shall indemnify and hold Cypress harmless from and against all claims, costs, damages, and other liabilities, including claims for personal injury or death, arising from or related to any Unintended Uses of Cypress products.

Cypress, the Cypress logo, Spansion, the Spansion logo, and combinations thereof, PSoC, CapSense, EZ-USB, F-RAM, and Traveo are trademarks or registered trademarks of Cypress in the United States and other countries. For a more complete list of Cypress trademarks, visit cypress.com. Other names and brands may be claimed as property of their respective owners.