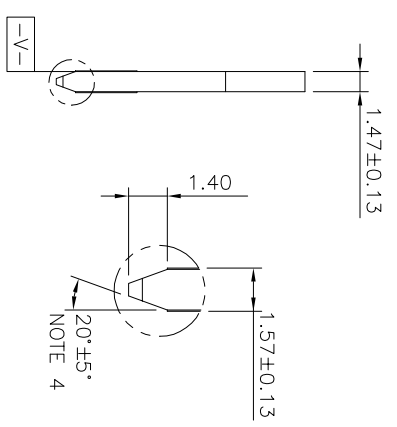
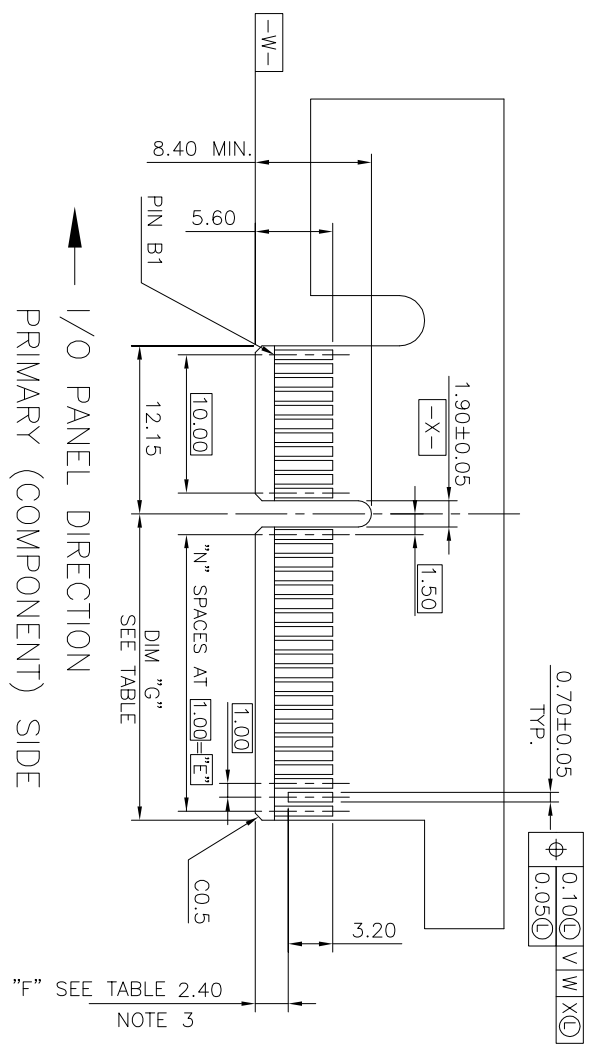


SCALE 2:1

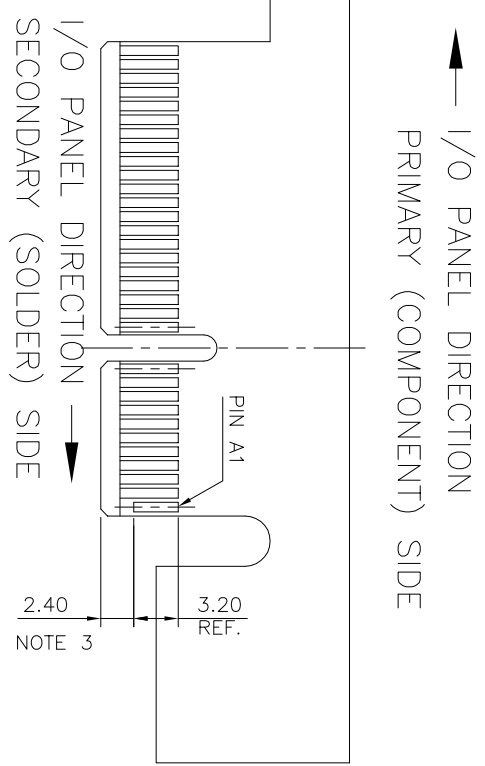
RECOMMEND OF PCB DIMENSIONS

# POS REF.	N	DIM "H"	DIM "E"
36	6	12.30	6.00
64	20	26.30	20.00
98	37	43.30	37.00
164	70	76.30	70.00

mat'l. code	surface	tolerance	projection	product family
	ASME Y14.5		MM	PCI EXPRESS
tr	ecm no	dr	date	title
				PCI_EXPRESS_CARD_EDGE_GEN3
				STRADDLE_MOUNT_ASSY
				scale N/A
				dwg no
				10025026
				sheet 2 of 7
				size
				A4
sheet	revision	L		type
index	sheet	7		CUSTOMER Drawing



SCALE 2:1



ADD-IN CARD EDGE-FINGER DIMENSIONS

# POS REF.	N	DIM "G"	"F"
36	6	8.15	B17
64	20	22.15	B31
98	37	39.15	B48
164	70	72.15	B81

mat'l. code	surfact	tolerance	projection	product family
	ASME Y14.5			PCI EXPRESS
tr	ecm no	dr	date	title
				PCI EXPRESS_CARD_EDGE_GEN3
				STRADDLE_MOUNT_ASS'y
				scale N/A
				dwg no
				10025026
				sheet 3 of 7
				size
				A4
sheet	revision	L		type
index	sheet	7		CUSTOMER Drawing



2016 AFCl

1 | 2



3 |



4

NOTES:

- 1. MATERIAL: RATED.
HOUSING: HIGH TEMPERATURE NYLON, GLASS FILLED UL94V-0
TERMINAL: COPPER ALLOY
PLATING: SEE PRODUCT NUMBER CODE
METAL BOARD LOCKS: COPPER ALLOY
FINISH: 100u" TIN OVER 50u" NICKEL UNDERPLATE
- 2. PRODUCT SPECIFICATION: GS-12-233
- ③ NO THE BAR PERMITTED FROM CARD EDGE TO LEADING EDGE OF PAD FOR PINS A1 AND PIN NUMBERS "F".
- ④ CHAMFER EDGES MUST BE FREE OF CUTTING BURRS.
- ⑤ FREQUENCY & LOCATION AT SUPPLIER DISCRETION. RIDGE MAY BE CONTINUOUS WITH NO BREAKS.
- 6. ROHS COMPATIBLE PRODUCT SPECIFICATIONS
 - a - PLATING:
 - "LF" MEANS THE PRODUCT IS LEAD-FREE
 - b - MANUFACTURING PROCESS COMPATIBILITY
 - THE HOUSING WILL WITHSTAND EXPOSURE TO 260°C±5°C SOLDER BATH TEMPERATURE FOR 5 SECONDS IN A REFLOW SOLDER APPLICATION.

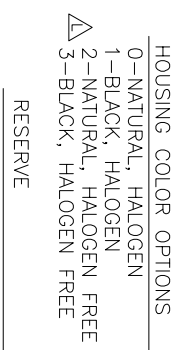
CONNECTOR	# POS REF.	N	DIM "A"	DIM "B"	DIM "C"	"E"	"F"
1 PORT	36	6	7.65	25.00	12.50	6.00	34.8
4 PORT	64	20	21.65	39.00	26.50	20.00	48.8
8 PORT	98	37	38.65	56.00	43.50	37.00	65.8
16 PORT	164	70	71.65	89.00	76.50	70.00	98.8

PRODUCT NUMBER CODE

10025026

LEAD FREE OPTION

"LF" FOR TERMINAL PLATING OPTION 0,1,2



TERMINAL PLATING OPTIONS

- 0-50u" NI UNDERPLATE
30u" Au CONTACT AREA
- 100u" TIN TAIL AREA ----- COMPATIBLE ROHS
- 1-50u" NI UNDERPLATE
15u" Au CONTACT AREA
- 100u" TIN TAIL AREA ----- COMPATIBLE ROHS
- 2-50u" NI UNDERPLATE
GOLD FLASH CONTACT AREA
- 100u" TIN TAIL AREA ----- COMPATIBLE ROHS
- 3-50u" NI UNDERPLATE
30u" Au CONTACT AREA
- 100u" TIN/LEAD TAIL AREA ----- INCOMPLIANT ROHS
- 4-50u" NI UNDERPLATE
15u" Au CONTACT AREA
- 100u" TIN/LEAD TAIL AREA ----- INCOMPLIANT ROHS
- 5-50u" NI UNDERPLATE
GOLD FLASH CONTACT AREA
- 100u" TIN/LEAD TAIL AREA ----- INCOMPLIANT ROHS



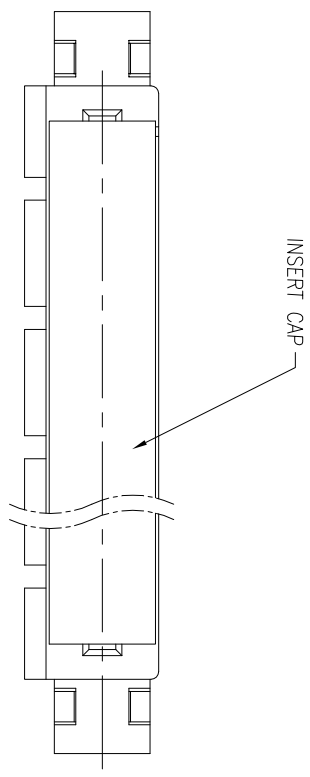
PACKAGING OPTIONS

- T: TRAY PACKAGING(IN GENERAL VERTICAL DIRECTION)
- C: TAPE & REEL WITH INSERT CAP (FOR 98P ONLY)
- H: TRAY PACKAGING(IN SPECIAL HORIZONTAL DIRECTION FOR 164P ONLY)
- P: TRAY PACKAGING WITH INSERT CAP
- S: TRAY PACKAGING WITH INSERT CAP(IN SPECIAL HORIZONTAL DIRECTION)

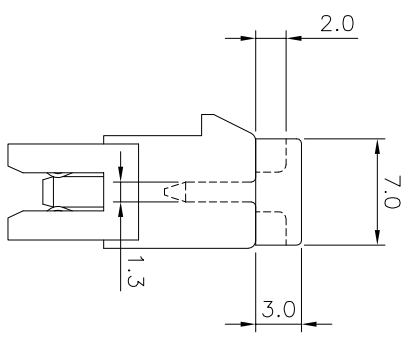
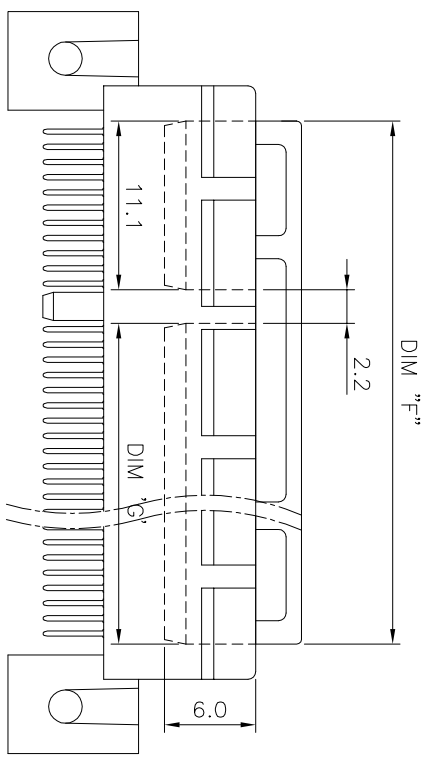
TAIL LENGTH OPTIONS

DIM "D"	PCB THICKNESS
3.85 +0.25 -0.13	1.56

mat'l. code	ec'n no	dr	date	surface	tolerance	projection	product family
				ASME Y14.5	ASME Y14.5		PCI EXPRESS
				tolerances unless otherwise specified			
				angles	±0.30	MM	PCI_EXPRESS_CARD_EDGE_GEN3
				±Z	.00±0.20		STRADDLE_MOUNT_ASS'y
				DR	ZHENHUA_LIU	scale N/A	dwg no
				ENGR	ZHENHUA_LIU		10025026
				CHR	STONE_LI		sheet 4 of 7
				QPPD	PM_ZHENG		size
							A4
sheet index	revision	L					CUSTOMER Drawing
	sheet	7					



DIMENSIONS		
POSITION	F	G
36	20.4	7.1
64	34.4	21.1
98	51.4	38.1
164	84.4	71.1



NOTES:

1. MATERIAL:
INSERT CAP: THERMOPLASTIC UL94V-0; BLACK COLOR.

mat'l. code	surface	tolerance	projection	product family
ecn no	ASME_Y14.5	ASME_Y14.5	MM	PCI EXPRESS
dr	date	tolerances unless otherwise specified	scale N/A	PCI_EXPRESS_CARD_EDGE_GEN3
angles	±2°	.00±0.20		STRADDLE_MOUNT_ASS'y
angles		.000±0.10		sheet 5 of 7
dr	ZHENHUA_LIU	2016-03-25		size
eng	ZHENHUA_LIU	2016-03-25		A4
chr	STONE_LI	2016-03-25		
qppd	PM_ZHENG	2016-03-25		
sheet index	revision	L		
	sheet	7		

B

A

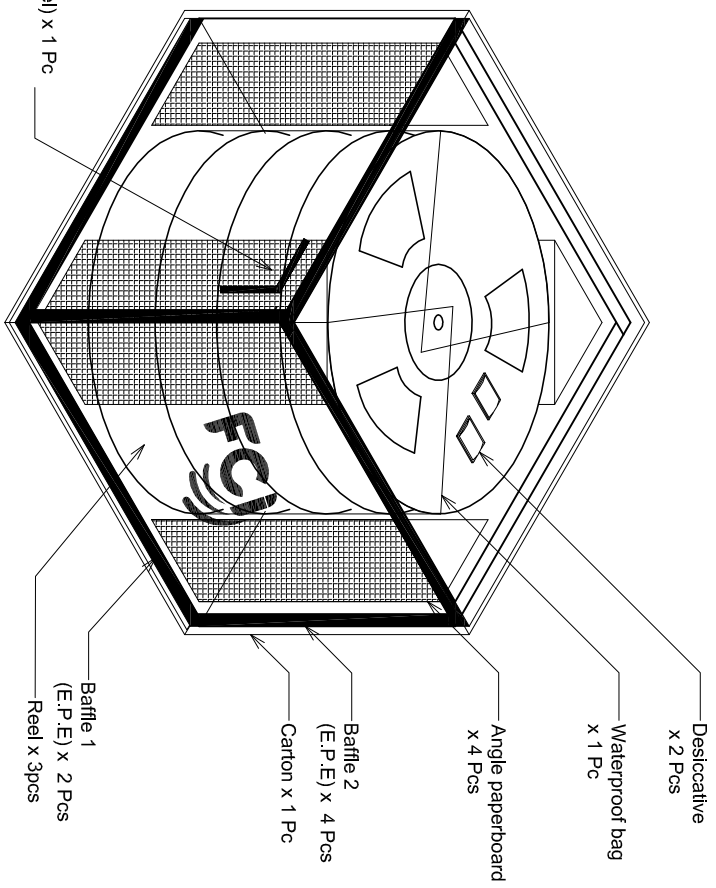
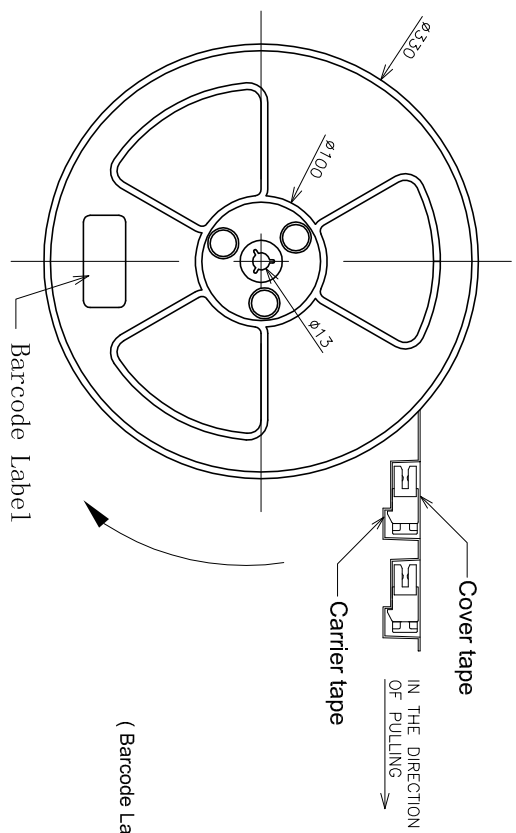
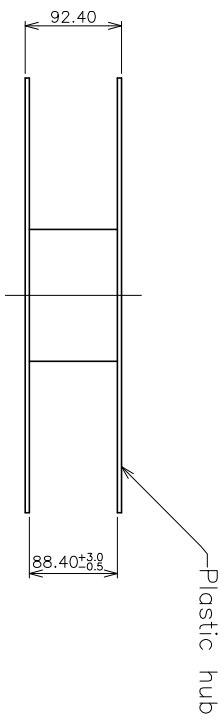
1

2

3

4

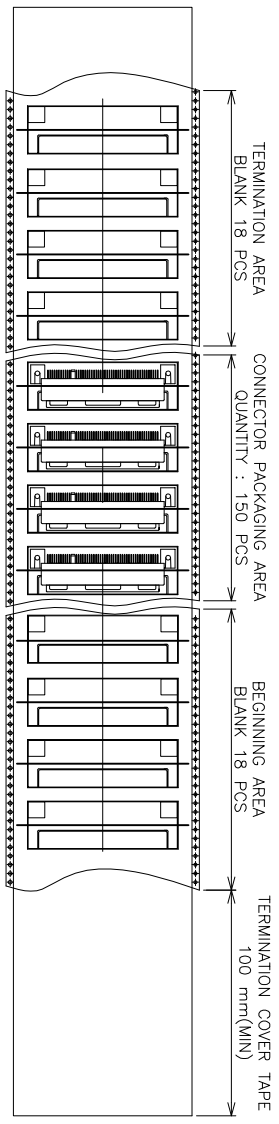
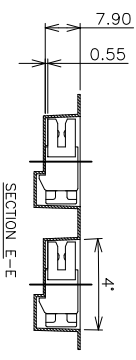
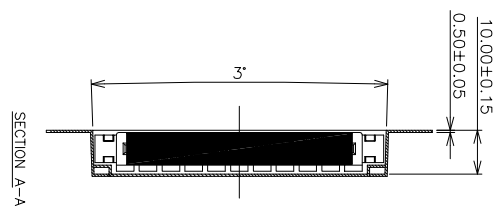
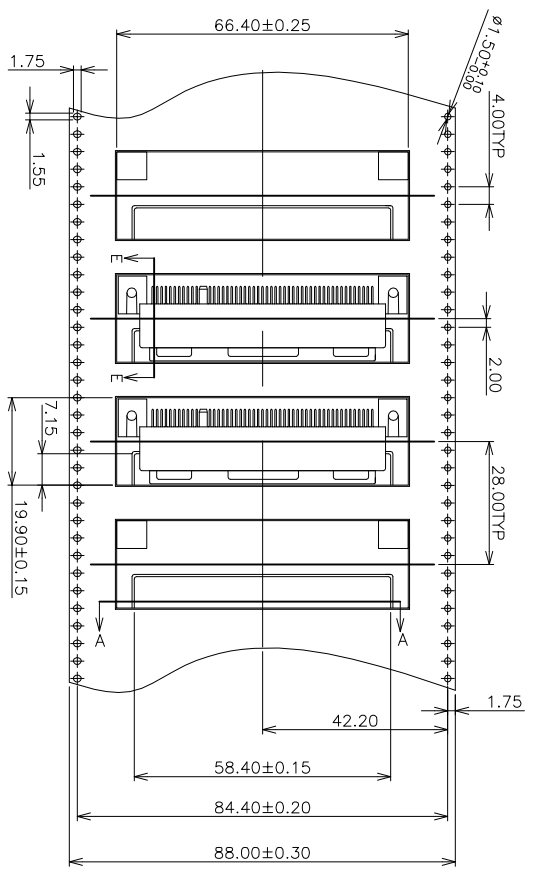
- NOTE:
1. REEL MATERIAL : PS, BLACK
 2. CARRIER MATERIAL : PS
 3. COVER TAPE MATERIAL : PS
 4. COVER TAPE REEL STRENGTHH : 13"
 5. QUANTITY : 150 PCS/REEL
 6. Carton : 380(L) * 380(W) * 300(H) mm



Part No	10025026-XXXX(LF)
---------	-------------------

NO. OF CONTACTS	98
REEL/CARTON	3
PCS/REEL	150
QUANTITY(PCS)	450

mat'l. code	surface	tolerance	projection	product family
	ASME_Y14.5			PCI_EXPRESS
itr	ecn no	dr	date	title
				PCI_EXPRESS_CARD_EDGE_GEN3
	angles			STRADDLE_MOUNT_ASS'y
	±2°	.000±0.10	MM	
dr	ZHENHUA_LIU	2016-03-25	scale N/A	Amphenol FCI
eng	ZHENHUA_LIU	2016-03-25		dwg no
chr	STONE_LI	2016-03-25		10025026
qppd	PM_ZHENG	2016-03-25		sheet 6 of 7
sheet	revision	L		size
index	sheet	7		A4
				CUSTOMER Drawing



IN THE DIRECTION OF PULLING

mat'l. code	surface	tolerance	projection	product family
ASME_Y14.5	tolerances unless otherwise specified	ASME_Y14.5	MM	PCI EXPRESS
ecn no	angles	±2°	scale N/A	title
dr	±2°	.000±0.10		PCI_EXPRESS_CARD_EDGE_GEN3
eng	ZHENHUA_LIU	2016-03-25		STRADDLE_MOUNT_ASS'y
chr	STONE_LI	2016-03-25		dwg no
qppd	PM_ZHENG	2016-03-25		10025026
sheet index	revision	L		sheet 7 of 7
sheet	sheet	7		size
				A4