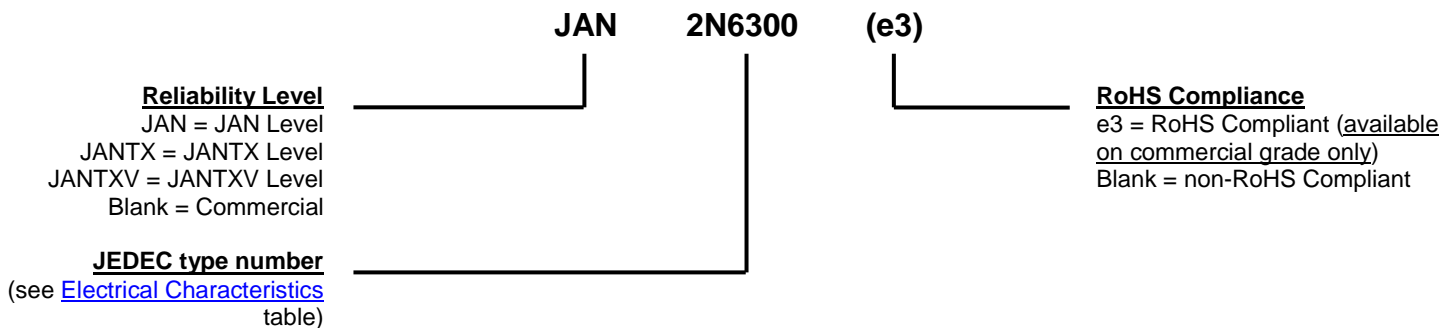


MECHANICAL and PACKAGING

- CASE: Hermetic, TO-213AA package. Nickel plate with nickel cap.
- TERMINALS: Solder dipped (Sn63/Pb37) over nickel plated alloy 52. RoHS compliant matte-tin plating is also available on commercial grade only.
- MARKING: MSC, part number, date code, polarity symbol
- WEIGHT: Approximately 5.7 grams
- See [Package Dimensions](#) on last page.

PART NOMENCLATURE

SYMBOLS & DEFINITIONS

Symbol	Definition
I_B	Base current: The value of the dc current into the base terminal.
I_C	Collector current: The value of the dc current into the collector terminal.
I_E	Emitter current: The value of the dc current into the emitter terminal.
T_C	Case temperature: The temperature measured at a specified location on the case of a device.
V_{CB}	Collector-base voltage: The dc voltage between the collector and the base.
V_{CBO}	Collector-base voltage, base open: The voltage between the collector and base terminals when the emitter terminal is open-circuited.
V_{CC}	Collector-supply voltage: The supply voltage applied to a circuit connected to the collector.
V_{CE}	Collector-emitter voltage: The dc voltage between the collector and the emitter.
V_{CEO}	Collector-emitter voltage, base open: The voltage between the collector and the emitter terminals when the base terminal is open-circuited.
V_{EB}	Emitter-base voltage: The dc voltage between the emitter and the base
V_{EBO}	Emitter-base voltage, collector open: The voltage between the emitter and base terminals with the collector terminal open-circuited.

ELECTRICAL CHARACTERISTICS @ 25 °C unless otherwise stated

Parameters / Test Conditions	Symbol	Min.	Max.	Unit
ON CHARACTERISTICS				
Collector-Emitter Breakdown Voltage $I_C = 100 \text{ mA}$	2N6300 2N6301 $V_{(BR)CEO}$	60 80		V
Collector-Emitter Cutoff Current $V_{CE} = 60 \text{ V}, V_{BE} = 1.5 \text{ V}$ $V_{CE} = 80 \text{ V}, V_{BE} = 1.5 \text{ V}$	2N6300 2N6301 I_{CEX}		10	μA
Collector-Emitter Cutoff Current, Base Open $V_{CE} = 30 \text{ V}$ $V_{CE} = 40 \text{ V}$	2N6300 2N6301 I_{CEO}		0.5	mA
Emitter-Base Cutoff Current $V_{EB} = 5 \text{ V}$	I_{EBO}		2.0	mA
Forward Current Transfer Ratio $I_C = 1 \text{ A}, V_{CE} = 3 \text{ V}$ $I_C = 4 \text{ A}, V_{CE} = 3 \text{ V}$ $I_C = 8 \text{ A}, V_{CE} = 3 \text{ V}$	h_{FE}	500 750 100	18000	
Collector-Emitter Saturation Voltage $I_C = 4.0 \text{ A}, I_B = 16 \text{ mA}$ $I_C = 8.0 \text{ A}, I_B = 80 \text{ mA}$	$V_{CE(sat)}$		2.0 3.0	V
Base-Emitter Saturation Voltage $V_{CE} = 3.0 \text{ V}, I_C = 4 \text{ A}$ $I_C = 8.0 \text{ A}, I_B = 80 \text{ mA}$	$V_{BE(sat)}$		2.8 4.0	V

DYNAMIC CHARACTERISTICS

Parameters / Test Conditions	Symbol	Min.	Max.	Unit
Magnitude of Common Emitter Small-Signal Short-Circuit Forward Current Transfer Ratio $V_{CE} = 3.0 \text{ V}, I_C = 3.0 \text{ A}, f = 1 \text{ MHz}$	$ h_{fe} $	25	350	
Common Emitter Small-Signal Short-Circuit Forward Current Trans-Ratio $V_{CE} = 3 \text{ V}, I_C = 3 \text{ A}, f = 1 \text{ kHz}$	h_{fe}	300		
Common Base Output $V_{CB} = 10 \text{ V}, I_E = 0 \text{ A}, 100 \text{ kHz} \leq f \leq 1 \text{ MHz}$	C_{obo}		200	pF

ELECTRICAL CHARACTERISTICS @ $T_C = 25\text{ }^\circ\text{C}$ unless otherwise noted. (continued)
SWITCHING CHARACTERISTICS

Parameters / Test Conditions	Symbol	Min.	Max.	Unit
Turn-On time $V_{CC} = 30\text{ V}, I_C = 4\text{ A}, I_{B1} = 16\text{ mA}$	t_{on}		2.0	μs
Turn-Off time $V_{CC} = 30\text{ V}, I_C = 4\text{ A}, I_{B1} = -I_{B2} = 16\text{ mA}$	t_{off}		8.0	μs

SAFE OPERATING AREA (See [Figures 1 and 2](#) and [MIL-STD-750, Test Method 3053](#))
DC Tests
 $T_C = +25\text{ }^\circ\text{C}, t = 1\text{ second}, \text{duty cycle} \leq 10\%$
Test 1
 $V_{CE} = 8\text{ V}, I_C = 8\text{ A}$
Test 2
 $V_{CE} = 20\text{ V}, I_C = 2.0\text{ A}$
Test 3
 $V_{CE} = 60\text{ V}, I_C = 100\text{ mA}$ (2N6300)

 $V_{CE} = 80\text{ V}, I_C = 100\text{ mA}$ (2N6301)

SAFE OPERATING AREA

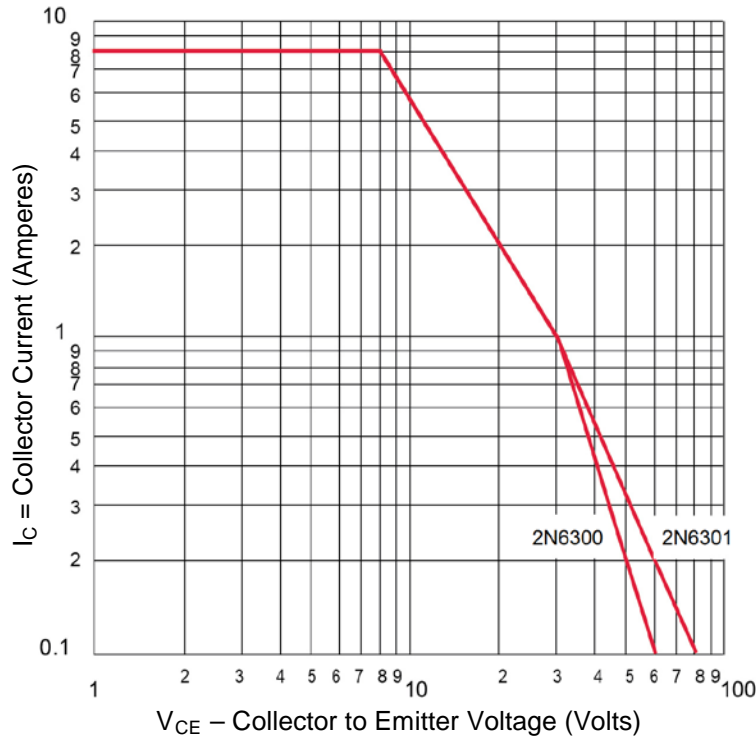


FIGURE 1 – Maximum Safe Operating Area (dc)

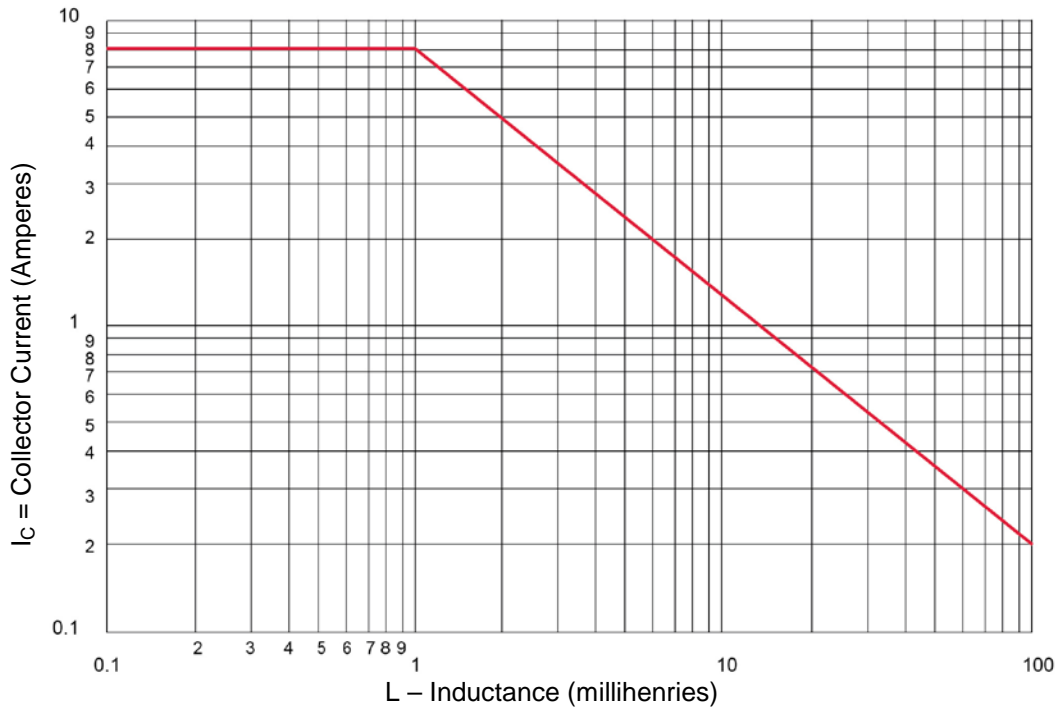
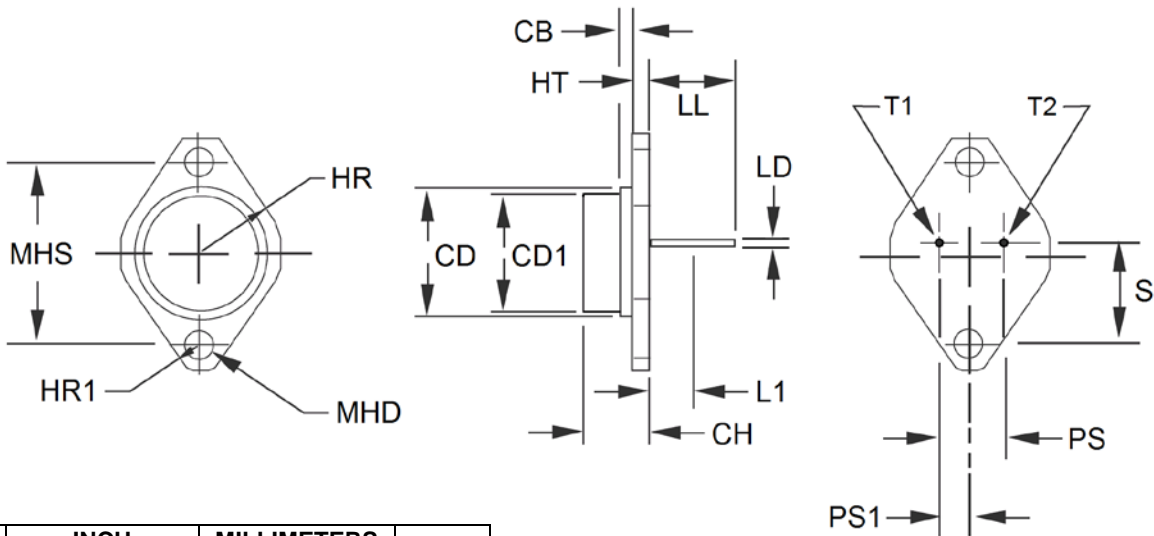


FIGURE 2 – Safe Operating Area for switching between saturation and cutoff (unclamped inductive load)

PACKAGE DIMENSIONS



DIM	INCH		MILLIMETERS		Notes
	MIN	MAX	MIN	MAX	
CB	0.470	0.500	11.94	12.70	
CD	-	0.620	-	15.76	
CH	0.250	0.340	6.35	8.64	
HR	-	0.350	-	8.89	
HT	0.050	0.075	1.27	1.91	
HR1	0.115	0.145	2.92	3.68	4
LD	0.028	0.034	0.71	0.86	4, 6
LL	0.360	0.500	9.14	12.70	
L1	-	0.050	-	1.27	6
MHD	0.142	0.152	3.61	3.86	4
MHS	0.958	0.962	24.33	24.43	
PS	0.190	0.210	4.83	5.33	3
PS1	0.093	0.107	2.36	2.73	3
S	0.570	0.590	14.48	14.99	
T1	Base				
T2	Emitter				
Case	Collector				

NOTES:

1. Dimensions are in inches.
2. Millimeters are given for information only.
3. These dimensions should be measured at points 0.050 inch (1.27 mm) +0.005 inch (0.13 mm) -0.000 inch (0.00 mm) below seating plane. When gauge is not used, measurement will be made at the seating plane.
4. Two places.
5. The seating plane of the header shall be flat within 0.001 inch (0.03 mm) concave to 0.004 inch (0.10 mm) convex inside a 0.930 inch (23.62 mm) diameter circle on the center of the header and flat within 0.001 inch (0.03 mm) concave to 0.006 inch (0.15 mm) convex overall.
6. Lead diameter shall not exceed twice LD within L1.
7. Lead number 1 is the emitter, lead 2 is the base, case is the collector.
8. In accordance with ASME Y14.5M, diameters are equivalent to Φx symbology.

SCHEMATIC

