

AD8351* PRODUCT PAGE QUICK LINKS

Last Content Update: 02/23/2017

COMPARABLE PARTS

View a parametric search of comparable parts.

EVALUATION KITS

- AD8351 Evaluation Board

DOCUMENTATION

Application Notes

- AN-1026: High Speed Differential ADC Driver Design Considerations
- AN-649: Using the Analog Devices Active Filter Design Tool
- AN-827: A Resonant Approach to Interfacing Amplifiers to Switched-Capacitor ADCs

Data Sheet

- AD8351-DSCC: Military Data Sheet
- AD8351-EP: Enhanced Product Data Sheet
- AD8351: Low Distortion Differential RF/IF Amplifier Data Sheet

REFERENCE MATERIALS

Product Selection Guide

- RF Source Booklet

Technical Articles

- Buffer Adapts Single-ended Signals for Differential Inputs

DESIGN RESOURCES

- AD8351 Material Declaration
- PCN-PDN Information
- Quality And Reliability
- Symbols and Footprints

DISCUSSIONS

View all AD8351 EngineerZone Discussions.

SAMPLE AND BUY

Visit the product page to see pricing options.

TECHNICAL SUPPORT

Submit a technical question or find your regional support number.

DOCUMENT FEEDBACK

Submit feedback for this data sheet.

This page is dynamically generated by Analog Devices, Inc., and inserted into this data sheet. A dynamic change to the content on this page will not trigger a change to either the revision number or the content of the product data sheet. This dynamic page may be frequently modified.

TABLE OF CONTENTS

| | | | |
|--|----|--|----|
| Features | 1 | Gain Adjustment | 12 |
| Applications | 1 | Common-Mode Adjustment | 12 |
| Functional Block Diagram | 1 | Input and Output Matching | 12 |
| General Description | 1 | Single-Ended-to-Differential Operation | 13 |
| Revision History | 2 | ADC Driving | 13 |
| Specifications | 3 | Analog Multiplexing | 14 |
| Absolute Maximum Ratings | 5 | I/O Capacitive Loading | 14 |
| ESD Caution | 5 | Transmission Line Effects | 15 |
| Pin Configurations and Function Descriptions | 6 | Characterization Setup | 16 |
| Typical Performance Characteristics | 7 | Evaluation Board | 17 |
| Theory of Operation | 12 | Outline Dimensions | 19 |
| Basic Concepts | 12 | Ordering Guide | 19 |

REVISION HISTORY

1/15—Rev. C to Rev. D

| | |
|--|----|
| Changes to Noise Distortion Parameter, Table 1 | 3 |
| Changes to Ordering Guide | 19 |

3/14—Rev. B to Rev. C

| | |
|---|------------|
| Updated Format | Universal |
| Added 16-Lead LFCSP Package | Throughout |
| Changes to Features | 1 |
| Changes to Table 3 and Added Figure 3; Renumbered Sequentially | 6 |
| Updated Outline Dimensions; Added Figure 52 | 19 |
| Moved, Changes to Ordering Guide | 19 |

2/04—Rev. A to Rev. B

| | |
|---------------------------------|---|
| Changes to Ordering Guide | 4 |
| Changes to TPC 4 | 5 |

3/03—Rev. 0 to Rev. A

| | |
|---------------------------------|----|
| Changes to Ordering Guide | 4 |
| Change to Table 3 | 15 |

3/03—Revision 0: Initial Version

SPECIFICATIONS

$V_S = 5\text{ V}$, $R_L = 150\ \Omega$, $R_G = 110\ \Omega$ ($A_V = 10\text{ dB}$), $f = 70\text{ MHz}$, $T = 25^\circ\text{C}$, parameters specified differentially, unless otherwise noted.

Table 1.

| Parameter | Test Conditions/Comments | Min | Typ | Max | Unit |
|---|---|-----|------------|-----|------------------------|
| DYNAMIC PERFORMANCE | | | | | |
| -3 dB Bandwidth | GAIN = 6 dB, $V_{OUT} \leq 1.0\text{ V p-p}$ | | 3,000 | | MHz |
| | GAIN = 12 dB, $V_{OUT} \leq 1.0\text{ V p-p}$ | | 2,200 | | MHz |
| | GAIN = 18 dB, $V_{OUT} \leq 1.0\text{ V p-p}$ | | 600 | | MHz |
| Bandwidth for 0.1 dB Flatness | $0\text{ dB} \leq \text{GAIN} \leq 20\text{ dB}$, $V_{OUT} \leq 1.0\text{ V p-p}$ | | 200 | | MHz |
| Bandwidth for 0.2 dB Flatness | $0\text{ dB} \leq \text{GAIN} \leq 20\text{ dB}$, $V_{OUT} \leq 1.0\text{ V p-p}$ | | 400 | | MHz |
| Gain Accuracy | Using 1% resistor for R_G , $0\text{ dB} \leq A_V \leq 20\text{ dB}$ | | ± 1 | | dB |
| Gain Supply Sensitivity | $V_S \pm 5\%$ | | 0.08 | | dB/V |
| Gain Temperature Sensitivity | -40°C to $+85^\circ\text{C}$ | | 3.9 | | mdB/ $^\circ\text{C}$ |
| Slew Rate | $R_L = 1\text{ k}\Omega$, $V_{OUT} = 2\text{ V step}$ | | 13,000 | | V/ μs |
| | $R_L = 150\ \Omega$, $V_S = 2\text{ V step}$ | | 7,500 | | V/ μs |
| Settling Time | 1 V step to 1% | | <3 | | ns |
| Overdrive Recovery Time | $V_{IN} = 4\text{ V}$ to 0 V step , $V_{OUT} \leq \pm 10\text{ mV}$ | | <2 | | ns |
| Reverse Isolation (S12) | | | -67 | | dB |
| INPUT/OUTPUT CHARACTERISTICS | | | | | |
| Input Common-Mode Voltage Adjustment Range | | | 1.2 to 3.8 | | V |
| Max Output Voltage Swing | 1 dB compressed | | 4.75 | | V p-p |
| Output Common-Mode Offset | | | 40 | | mV |
| Output Common-Mode Drift | -40°C to $+85^\circ\text{C}$ | | 0.24 | | mV/ $^\circ\text{C}$ |
| Output Differential Offset Voltage | | | 20 | | mV |
| Output Differential Offset Drift | -40°C to $+85^\circ\text{C}$ | | 0.13 | | mV/ $^\circ\text{C}$ |
| Input Bias Current | | | ± 15 | | μA |
| Input Resistance ¹ | | | 5 | | k Ω |
| Input Capacitance ¹ | | | 0.8 | | pF |
| CMRR | | | 43 | | dB |
| Output Resistance ¹ | | | 150 | | Ω |
| Output Capacitance ¹ | | | 0.8 | | pF |
| POWER INTERFACE | | | | | |
| Supply Voltage | | 3 | | 5.5 | V |
| PWUP Threshold | | | 1.3 | | V |
| PWUP Input Bias Current | PWUP at 5 V | | 100 | | μA |
| | PWUP at 0 V | | 25 | | μA |
| Quiescent Current | | | 28 | 32 | mA |
| NOISE/DISTORTION | | | | | |
| 10 MHz | | | | | |
| Second/Third Harmonic Distortion ² | $R_L = 1\text{ k}\Omega$, $V_{OUT} = 2\text{ V p-p}$ | | -95/-93 | | dBc |
| | $R_L = 150\ \Omega$, $V_{OUT} = 2\text{ V p-p}$ | | -80/-69 | | dBc |
| Third-Order IMD | $R_L = 1\text{ k}\Omega$, $f_1 = 9.5\text{ MHz}$, $f_2 = 10.5\text{ MHz}$, $V_{OUT} = 2\text{ V p-p composite}$ | | -90 | | dBc |
| | $R_L = 150\ \Omega$, $f_1 = 9.5\text{ MHz}$, $f_2 = 10.5\text{ MHz}$, $V_{OUT} = 2\text{ V p-p composite}$ | | -70 | | dBc |
| Output Third-Order Intercept | $f_1 = 9.5\text{ MHz}$, $f_2 = 10.5\text{ MHz}$ | | 33 | | dBm |
| Noise Spectral Density (RTI) | | | 2.65 | | nV/ $\sqrt{\text{Hz}}$ |
| 1 dB Compression Point | | | 13.5 | | dBm |

| Parameter | Test Conditions/Comments | Min | Typ | Max | Unit |
|---|--|-----|---------|-----|------------------------|
| 70 MHz | | | | | |
| Second/Third Harmonic Distortion ² | $R_L = 1\text{ k}\Omega$, $V_{OUT} = 2\text{ V p-p}$ | | -79/-81 | | dBc |
| | $R_L = 150\ \Omega$, $V_{OUT} = 2\text{ V p-p}$ | | -65/-66 | | dBc |
| Third-Order IMD | $R_L = 1\text{ k}\Omega$, $f_1 = 69.5\text{ MHz}$, $f_2 = 70.5\text{ MHz}$, $V_{OUT} = 2\text{ V p-p composite}$ | | -85 | | dBc |
| | $R_L = 150\ \Omega$, $f_1 = 69.5\text{ MHz}$, $f_2 = 70.5\text{ MHz}$, $V_{OUT} = 2\text{ V p-p composite}$ | | -69 | | dBc |
| Output Third-Order Intercept | $f_1 = 69.5\text{ MHz}$, $f_2 = 70.5\text{ MHz}$ | | 31 | | dBm |
| Noise Spectral Density (RTI) | | | 2.70 | | nV/ $\sqrt{\text{Hz}}$ |
| 1 dB Compression Point | | | 13.3 | | dBm |
| 140 MHz | | | | | |
| Second/Third Harmonic Distortion ² | $R_L = 1\text{ k}\Omega$, $V_{OUT} = 2\text{ V p-p}$ | | -69/-69 | | dBc |
| | $R_L = 150\ \Omega$, $V_{OUT} = 2\text{ V p-p}$ | | -54/-53 | | dBc |
| Third-Order IMD | $R_L = 1\text{ k}\Omega$, $f_1 = 139.5\text{ MHz}$, $f_2 = 140.5\text{ MHz}$, $V_{OUT} = 2\text{ V p-p composite}$ | | -79 | | dBc |
| | $R_L = 150\ \Omega$, $f_1 = 139.5\text{ MHz}$, $f_2 = 140.5\text{ MHz}$, $V_{OUT} = 2\text{ V p-p composite}$ | | -67 | | dBc |
| Output Third-Order Intercept | $f_1 = 139.5\text{ MHz}$, $f_2 = 140.5\text{ MHz}$ | | 29 | | dBm |
| Noise Spectral Density (RTI) | | | 2.75 | | nV/ $\sqrt{\text{Hz}}$ |
| 1 dB Compression Point | | | 13 | | dBm |
| 240 MHz | | | | | |
| Second/Third Harmonic Distortion ² | $R_L = 1\text{ k}\Omega$, $V_{OUT} = 2\text{ V p-p}$ | | -60/-66 | | dBc |
| | $R_L = 150\ \Omega$, $V_{OUT} = 2\text{ V p-p}$ | | -46/-50 | | dBc |
| Third-Order IMD | $R_L = 1\text{ k}\Omega$, $f_1 = 239.5\text{ MHz}$, $f_2 = 240.5\text{ MHz}$, $V_{OUT} = 2\text{ V p-p composite}$ | | -76 | | dBc |
| | $R_L = 150\ \Omega$, $f_1 = 239.5\text{ MHz}$, $f_2 = 240.5\text{ MHz}$, $V_{OUT} = 2\text{ V p-p composite}$ | | -62 | | dBc |
| Output Third-Order Intercept | $f_1 = 239.5\text{ MHz}$, $f_2 = 240.5\text{ MHz}$ | | 27 | | dBm |
| Noise Spectral Density (RTI) | | | 2.90 | | nV/ $\sqrt{\text{Hz}}$ |
| 1 dB Compression Point | | | 13 | | dBm |

¹ Values are specified differentially.

² See the Single-Ended-to-Differential Operation section for single-ended-to-differential performance.

ABSOLUTE MAXIMUM RATINGS

Table 2.

| Parameter | Rating |
|---|-----------------|
| Supply Voltage VPOS | 6 V |
| PWUP Voltage | VPOS |
| Internal Power Dissipation | 320 mW |
| θ_{JA} | 125°C/W |
| Maximum Junction Temperature | 125°C |
| Operating Temperature Range | -40°C to +85°C |
| Storage Temperature Range | -65°C to +150°C |
| Lead Temperature Range (Soldering 60 sec) | 300°C |

Stresses at or above those listed under Absolute Maximum Ratings may cause permanent damage to the product. This is a stress rating only; functional operation of the product at these or any other conditions above those indicated in the operational section of this specification is not implied. Operation beyond the maximum operating conditions for extended periods may affect product reliability.

ESD CAUTION



ESD (electrostatic discharge) sensitive device. Charged devices and circuit boards can discharge without detection. Although this product features patented or proprietary protection circuitry, damage may occur on devices subjected to high energy ESD. Therefore, proper ESD precautions should be taken to avoid performance degradation or loss of functionality.

PIN CONFIGURATIONS AND FUNCTION DESCRIPTIONS

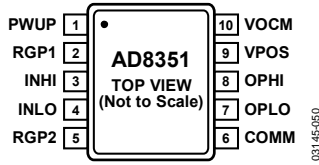
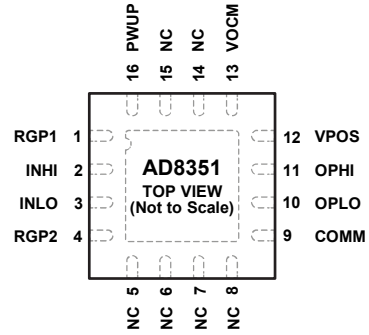


Figure 2. 10-Lead MSOP Pin Configuration



NOTES
 1. NC = NO CONNECT. DO NOT CONNECT TO THIS PIN.
 2. THE EXPOSED PAD IS INTERNALLY CONNECTED TO GND AND MUST BE SOLDERED TO A LOW IMPEDANCE GROUND PLANE.

Figure 3. 16-Lead LFCSP Pin Configuration

Table 3. Pin Function Descriptions

| Pin No. | | Mnemonic | Description |
|--------------|--------------------|----------|--|
| 10-Lead MSOP | 16-Lead LFCSP | | |
| 1 | 16 | PWUP | Apply a positive voltage ($1.3\text{ V} \leq V_{PWUP} \leq V_{POS}$) to activate device. |
| 2 | 1 | RGP1 | Gain Resistor Input 1. |
| 3 | 2 | INHI | Balanced Differential Input. Biased to midsupply, typically ac-coupled. |
| 4 | 3 | INLO | Balanced Differential Input. Biased to midsupply, typically ac-coupled. |
| 5 | 4 | RGP2 | Gain Resistor Input 2. |
| 6 | 9 | COMM | Device Common. Connect to low impedance ground. |
| 7 | 10 | OPLO | Balanced Differential Output. Biased to VOVM, typically ac-coupled. |
| 8 | 11 | OPHI | Balanced Differential Output. Biased to VOVM, typically ac-coupled. |
| 9 | 12 | VPOS | Positive Supply Voltage. 3 V to 5.5 V. |
| 10 | 13 | VOVM | Voltage applied to this pin sets the common-mode voltage at both the input and output. Typically decoupled to ground with a 0.1 μF capacitor. |
| | 5, 6, 7, 8, 14, 15 | NC | No connect. Do not connect to this pin. |
| | | EPAD | Exposed Pad. The exposed pad is internally connected to GND and must be soldered to a low impedance ground plane. |

TYPICAL PERFORMANCE CHARACTERISTICS

$V_S = 5\text{ V}$, $T = 25^\circ\text{C}$, unless otherwise noted.

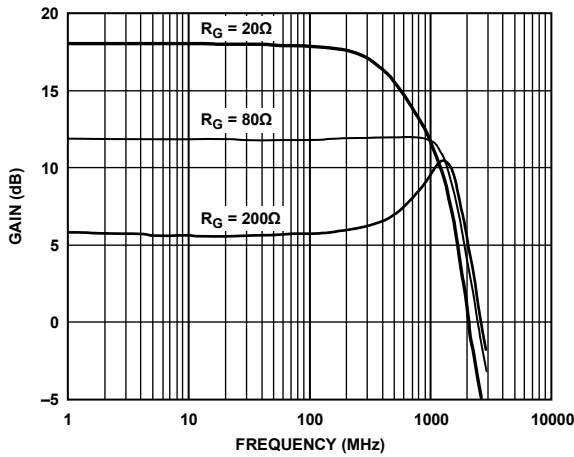


Figure 4. Gain vs. Frequency for a 150 Ω Differential Load ($A_V = 6\text{ dB}$, 12 dB , and 18 dB)

03145-003

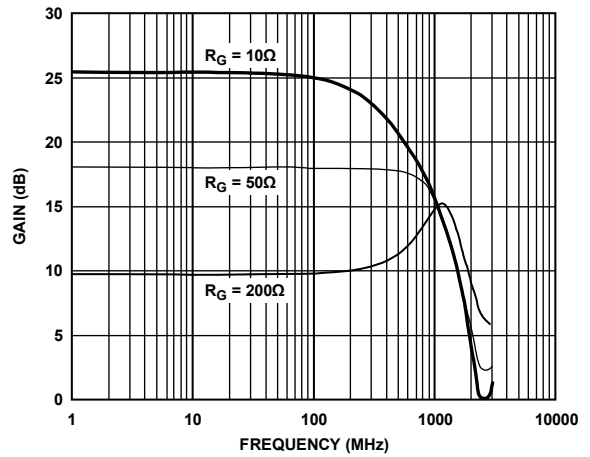


Figure 7. Gain vs. Frequency for a 1 kΩ Differential Load ($A_V = 10\text{ dB}$, 18 dB , and 26 dB)

03145-006

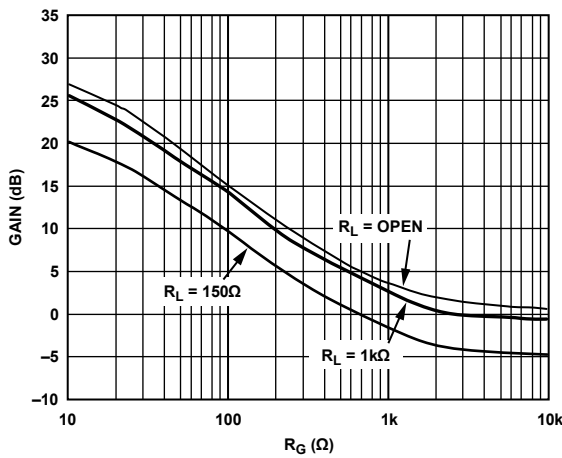


Figure 5. Gain vs. Gain Resistor, R_G ($f = 100\text{ MHz}$, $R_L = 150\ \Omega$, $1\text{ k}\Omega$, and Open)

03145-004

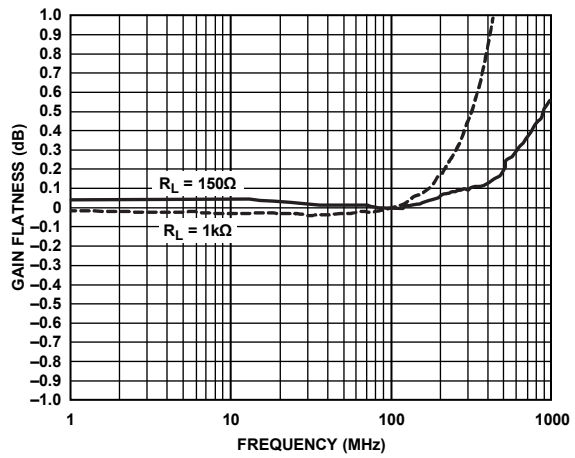


Figure 8. Gain Flatness vs. Frequency ($R_L = 150\ \Omega$ and $1\text{ k}\Omega$, $A_V = 10\text{ dB}$)

03145-007

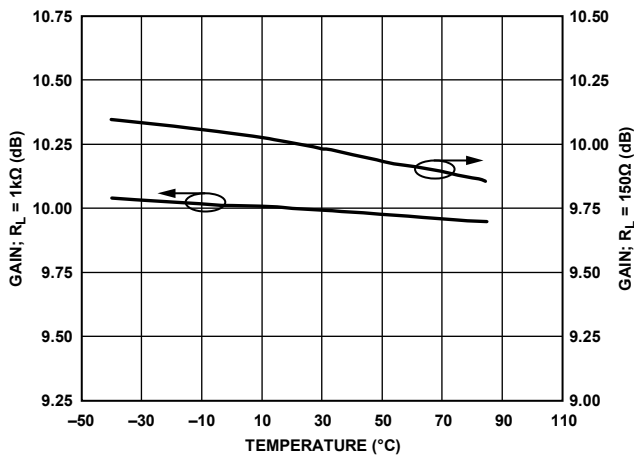


Figure 6. Gain vs. Temperature at 100 MHz ($A_V = 10\text{ dB}$)

03145-005

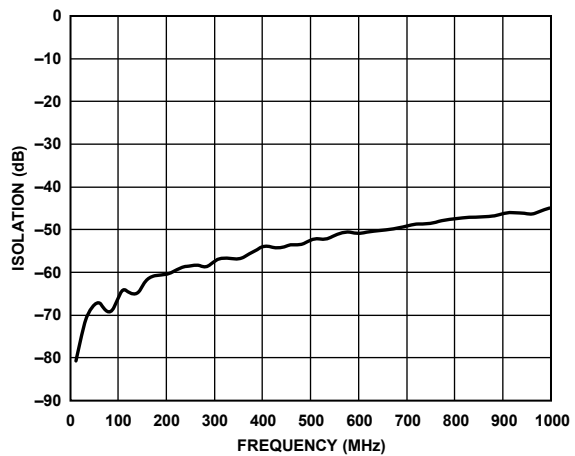


Figure 9. Isolation vs. Frequency ($A_V = 10\text{ dB}$)

03145-008

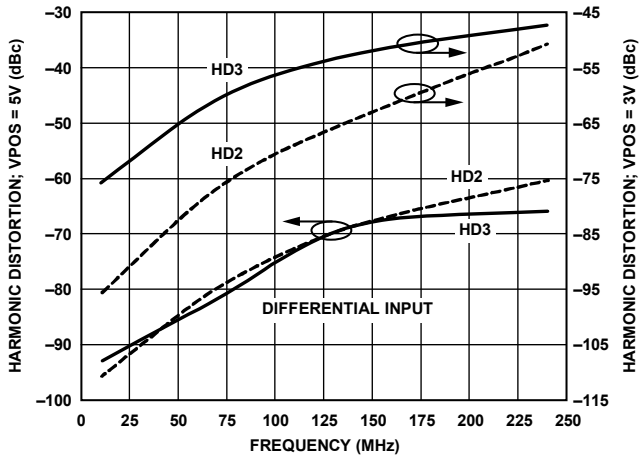


Figure 10. Harmonic Distortion vs. Frequency for 2 V p-p into $R_L = 1\text{ k}\Omega$ ($A_V = 10\text{ dB}$, at 3 V and 5 V Supplies)

03145-009

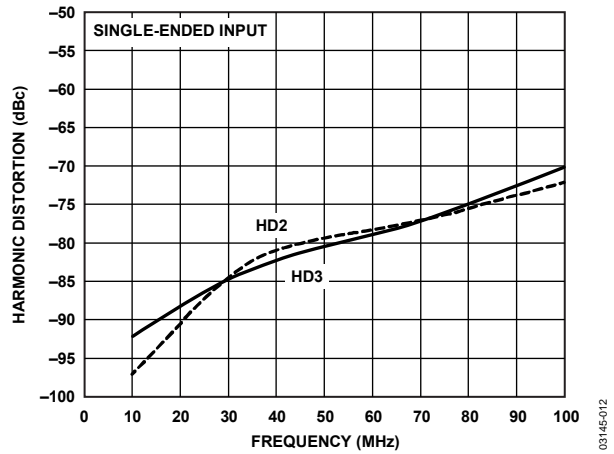


Figure 13. Harmonic Distortion vs. Frequency for 2 V p-p into $R_L = 1\text{ k}\Omega$ Using Single-Ended Input ($A_V = 10\text{ dB}$)

03145-012

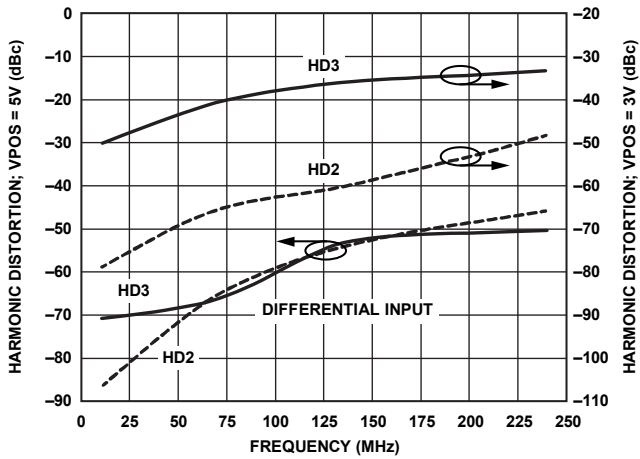


Figure 11. Harmonic Distortion vs. Frequency for 2 V p-p into $R_L = 150\ \Omega$ ($A_V = 10\text{ dB}$)

03145-010

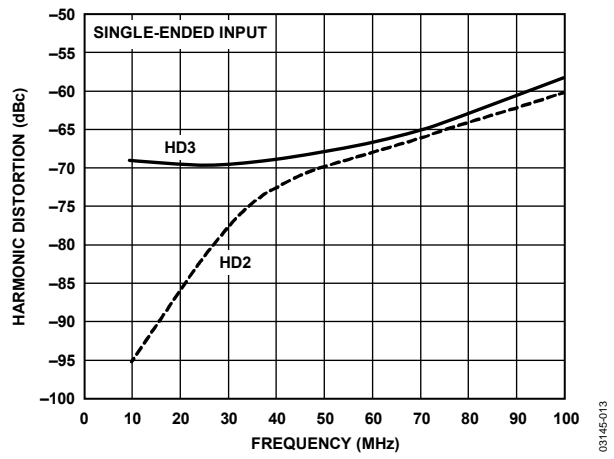


Figure 14. Harmonic Distortion vs. Frequency for 2 V p-p into $R_L = 150\ \Omega$ Using Single-Ended Input ($A_V = 10\text{ dB}$)

03145-013

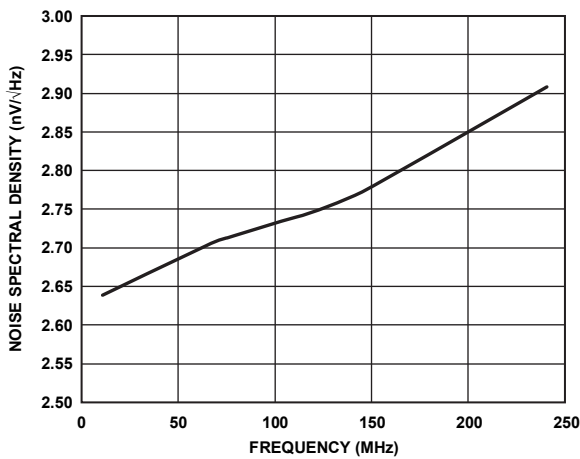


Figure 12. Noise Spectral Density (RTI) vs. Frequency ($R_L = 150\ \Omega$, 5 V Supply, $A_V = 10\text{ dB}$)

03145-011

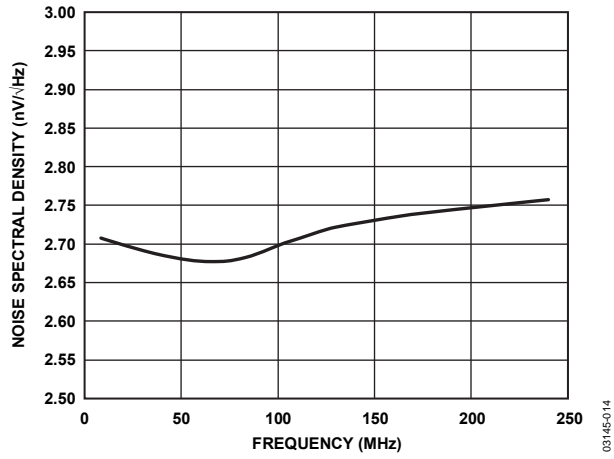


Figure 15. Noise Spectral Density (RTI) vs. Frequency ($R_L = 150\ \Omega$, 3 V Supply, $A_V = 10\text{ dB}$)

03145-014

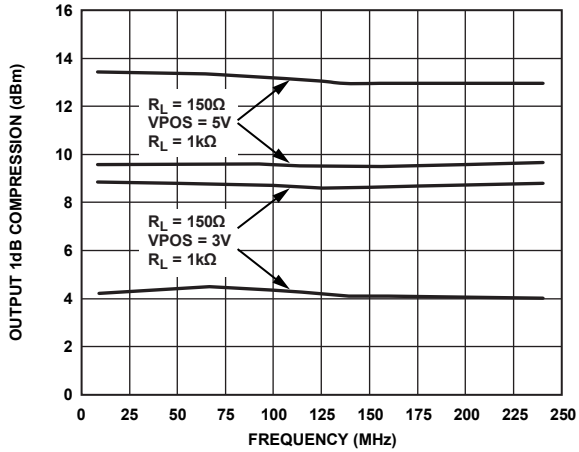


Figure 16. Output Compression Point, P1 dB, vs. Frequency ($R_L = 150\Omega$ and $1k\Omega$, $A_V = 10$ dB, at 3 V and 5 V Supplies)

03145-015

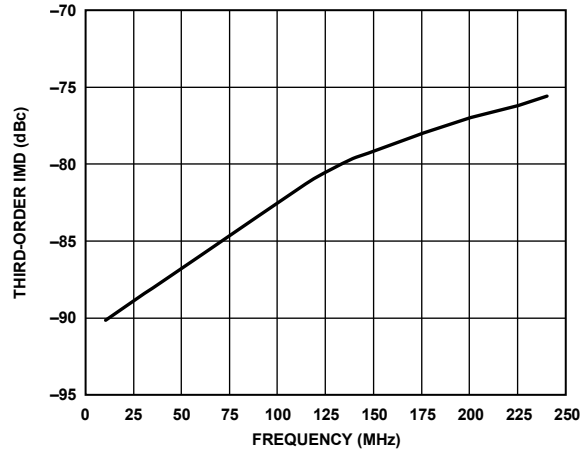


Figure 19. Third-Order Intermodulation Distortion vs. Frequency for a 2 V p-p Composite Signal into $R_L = 1k\Omega$ ($A_V = 10$ dB, at 5 V Supplies)

03145-018

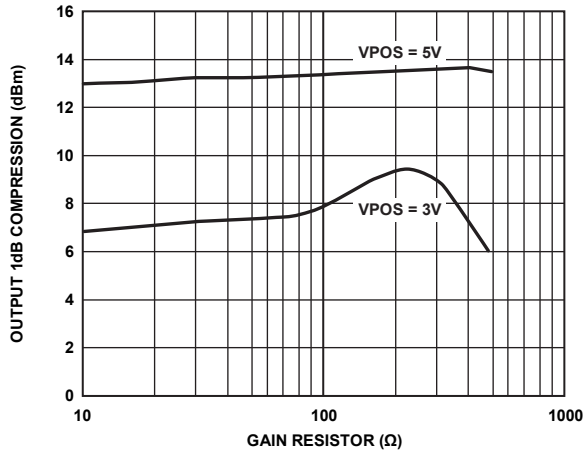


Figure 17. Output Compression Point, P1 dB, vs. R_G ($f = 100$ MHz, $R_L = 150\Omega$, $A_V = 10$ dB, at 3 V and 5 V Supplies)

03145-016

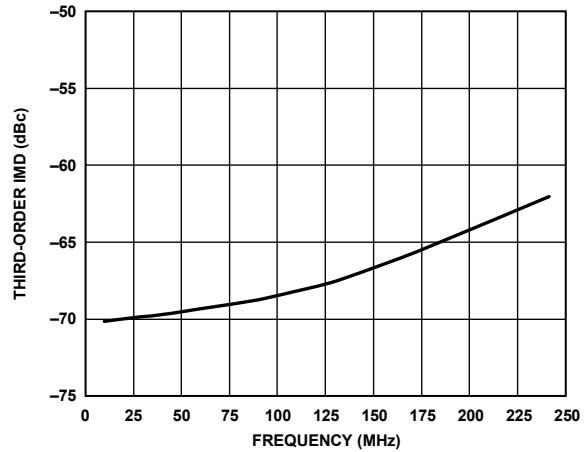


Figure 20. Third-Order Intermodulation Distortion vs. Frequency for a 2 V p-p Composite Signal into $R_L = 150\Omega$ ($A_V = 10$ dB, at 5 V Supplies)

03145-019

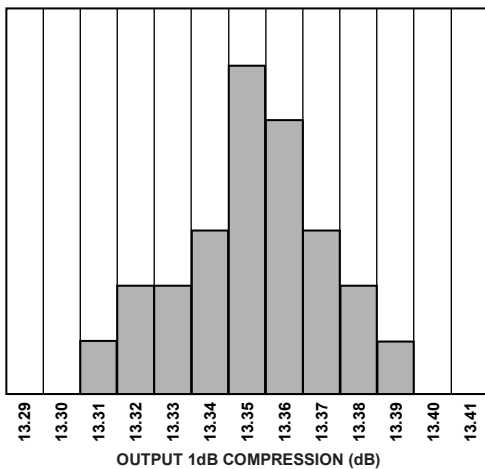


Figure 18. Output Compression Point Distribution ($f = 70$ MHz, $R_L = 150\Omega$, $A_V = 10$ dB)

03145-017

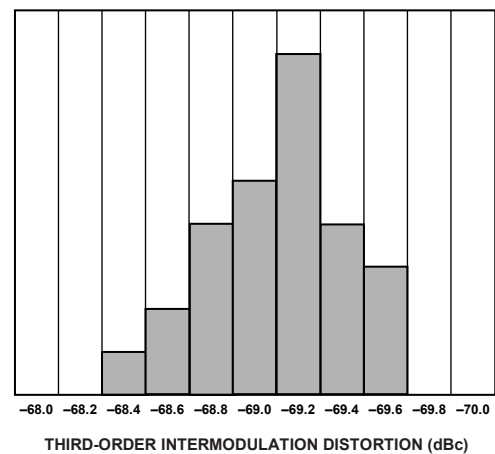
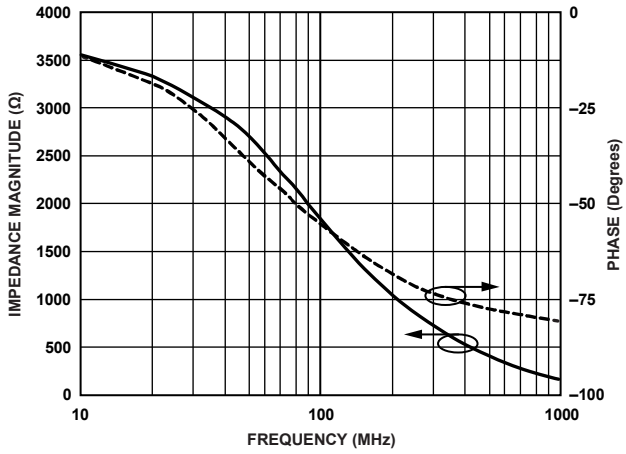


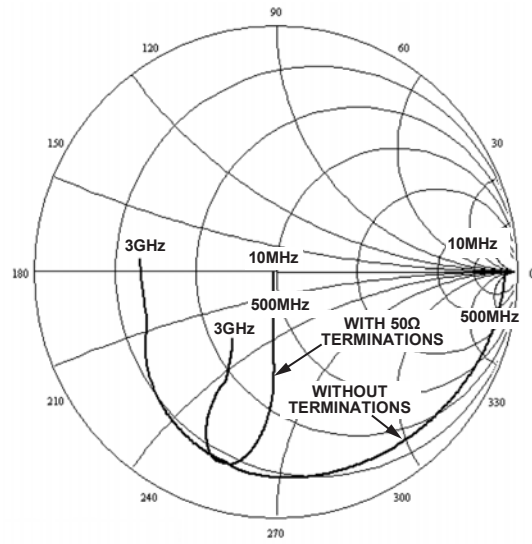
Figure 21. Third-Order Intermodulation Distortion Distribution ($f = 70$ MHz, $R_L = 150\Omega$, $A_V = 10$ dB)

03145-020



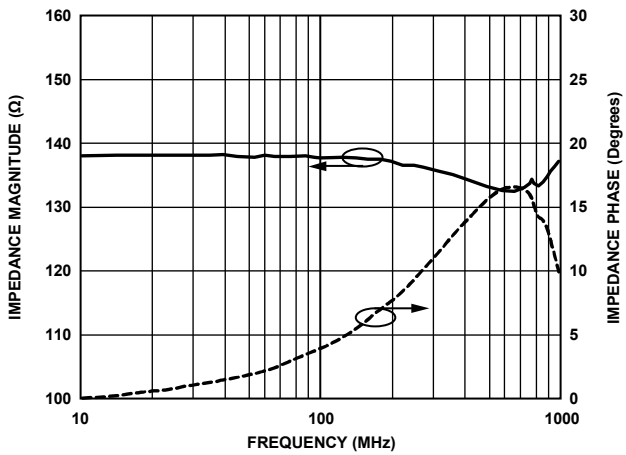
03145-021

Figure 22. Input Impedance vs. Frequency



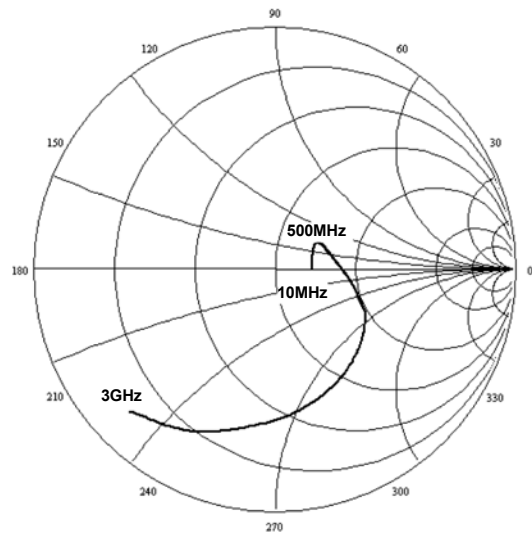
03145-024

Figure 25. Input Reflection Coefficient vs. Frequency ($R_s = R_L = 100 \Omega$ With and Without 50Ω Terminations)



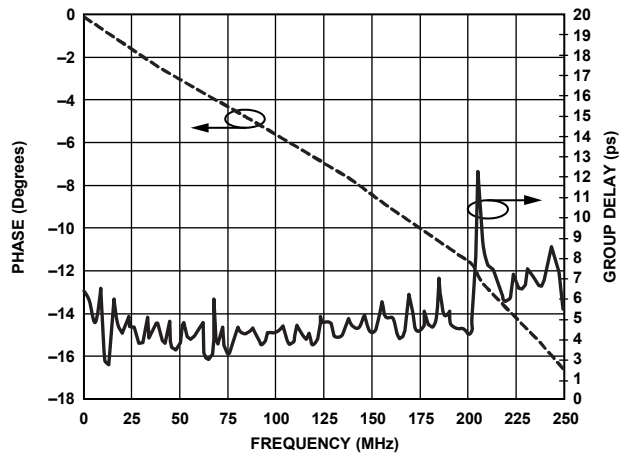
03145-022

Figure 23. Output Impedance vs. Frequency



03145-025

Figure 26. Output Reflection Coefficient vs. Frequency ($R_s = R_L = 100 \Omega$)



03145-023

Figure 24. Phase and Group Delay ($A_v = 10 \text{ dB}$, at 5 V Supplies)

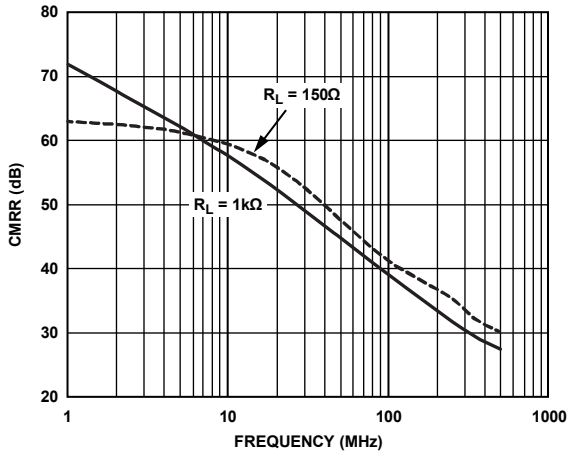


Figure 27. Common-Mode Rejection Ratio, CMRR ($R_S = 100 \Omega$)

03145-026

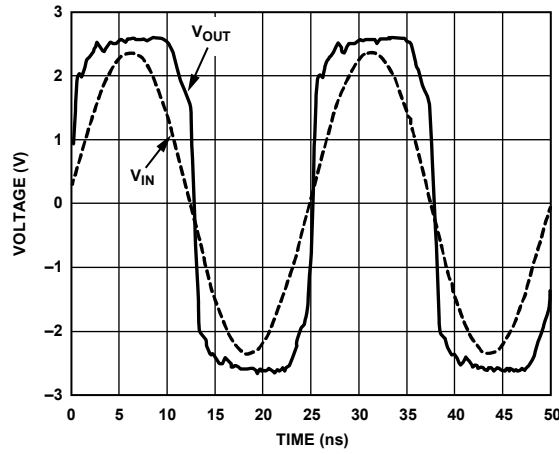


Figure 30. Overdrive Recovery Using Sinusoidal Input Waveform $R_L = 150 \Omega$ ($A_V = 10 \text{ dB}$, at 5 V Supplies)

03145-029

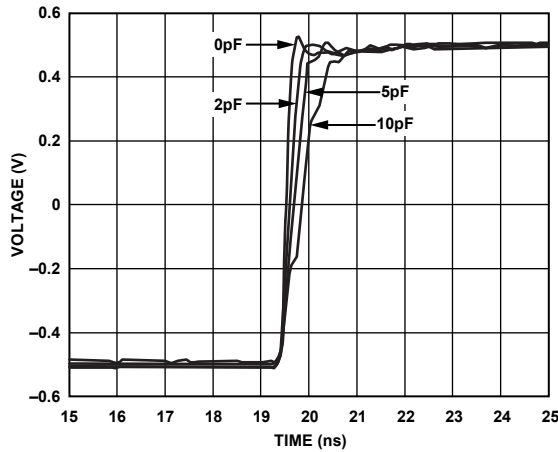


Figure 28. Transient Response Under Capacitive Loading ($R_L = 150 \Omega$, $C_L = 0 \text{ pF}$, 2 pF , 5 pF , 10 pF)

03145-027

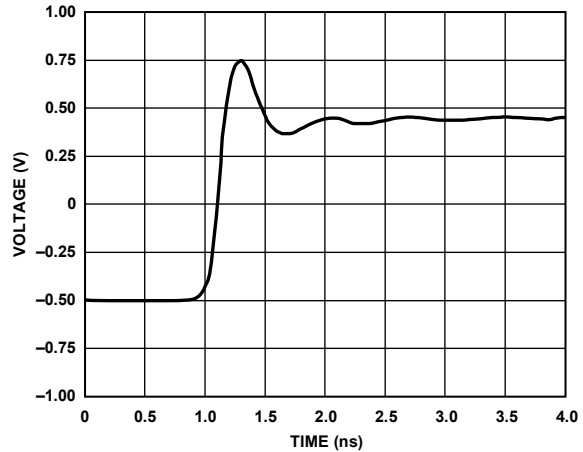


Figure 31. Large Signal Transient Response for a 1 V p-p Output Step ($A_V = 10 \text{ dB}$, $R_{IP} = 25 \Omega$)

03145-030

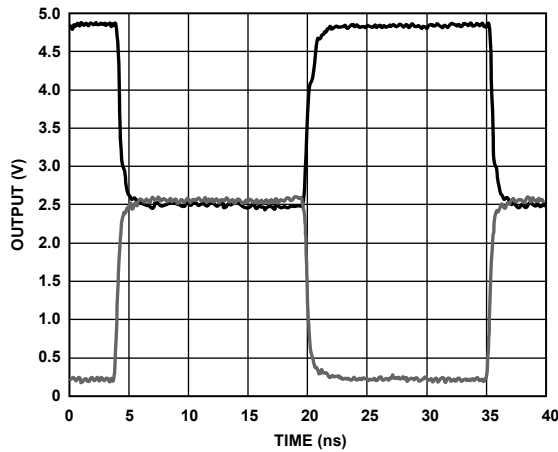


Figure 29. 2x Output Overdrive Recovery ($R_L = 150 \Omega$, $A_V = 10 \text{ dB}$)

03145-028

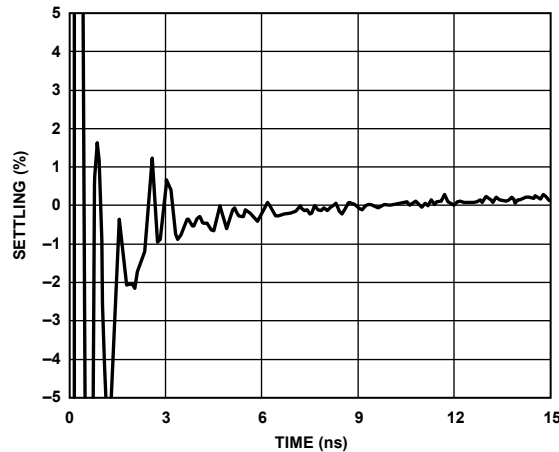


Figure 32. 1% Settling Time for a 2 V p-p Step ($A_V = 10 \text{ dB}$, $R_L = 150 \Omega$)

03145-031

THEORY OF OPERATION

BASIC CONCEPTS

Differential signaling is used in high performance signal chains, where distortion performance, signal-to-noise ratio, and low power consumption is critical. Differential circuits inherently provide improved common-mode rejection and harmonic distortion performance as well as better immunity to interference and ground noise.

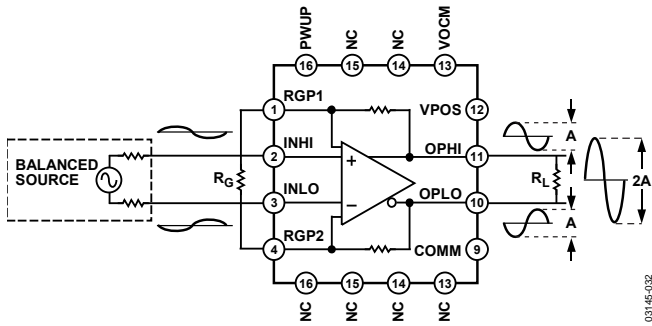


Figure 33. Differential Circuit Representation

Figure 33 illustrates the expected input and output waveforms for a typical application. Usually the applied input waveform is a balanced differential drive, where the signal applied to the INHI and INLO pins are equal in amplitude and differ in phase by 180°. In some applications, baluns may be used to transform a single-ended drive signal to a differential signal. The AD8351 may also be used to transform a single-ended signal to a differential signal.

GAIN ADJUSTMENT

The differential gain of the AD8351 is set using a single external resistor, R_G, which is connected between the RGP1 pin and the RGP2 pin. The gain can be set to any value between 0 dB and 26 dB using the resistor values specified in Figure 5, with common gain values provided in Table 4. The board traces used to connect the external gain resistor must be balanced and as short as possible to help prevent noise pickup and to ensure balanced gain and stability. The low frequency voltage gain of the AD8351 can be modeled as

$$A_V = \frac{R_L \times R_G (5.6) + 9.2 \times R_F \times R_L}{R_G \times R_L \times 4.6 + 19.5 \times R_G + (R_L + R_F) \times (39 + R_G)} = \left| \frac{V_{OUT}}{V_{IN}} \right|$$

where:

R_F is 350 Ω (internal).

R_L is the single-ended load resistance.

R_G is the gain setting resistor.

Table 4. Gain Resistor Selection for Common Gain Values (Load Resistance Is Specified as Single-Ended)

| Gain, A _v | R _G (R _L = 75 Ω) | R _G (R _L = 500 Ω) |
|----------------------|--|---|
| 0 dB | 680 Ω | 2 kΩ |
| 6 dB | 200 Ω | 470 Ω |
| 10 dB | 100 Ω | 200 Ω |
| 20 dB | 22 Ω | 43 Ω |

COMMON-MODE ADJUSTMENT

The output common-mode voltage level is the dc offset voltage present at each of the differential outputs. The ac signals are of equal amplitude with a 180° phase difference but are centered at the same common-mode voltage level. The common-mode output voltage level can be adjusted from 1.2 V to 3.8 V by driving the desired voltage level into the VOCM pin, as illustrated in Figure 34.

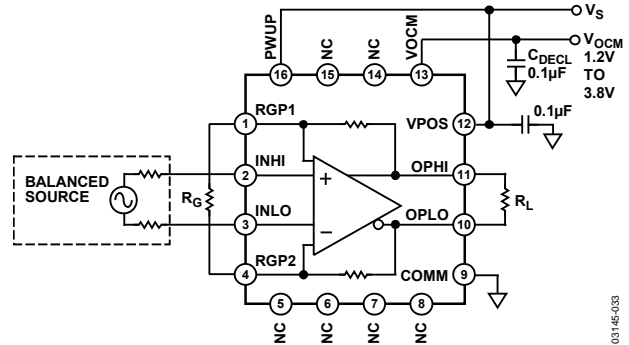


Figure 34. Common-Mode Adjustment

INPUT AND OUTPUT MATCHING

The AD8351 provides a moderately high differential input impedance of 5 kΩ. In practical applications, the input of the AD8351 is terminated to a lower impedance to provide an impedance match to the driving source, as shown in Figure 35. Place the terminating resistor, R_T, as close as possible to the input pins to minimize reflections due to impedance mismatch. The 150 Ω output impedance may need to be transformed to provide the desired output match to a given load. Matching components can be calculated using a Smith chart or by using a resonant approach to determine the matching network that results in a complex conjugate match. The input and output impedances and reflection coefficients are provided in Figure 22, Figure 23, Figure 24, and Figure 25. For additional information on reactive matching to differential sources and loads, refer to the Applications section of the AD8350 data sheet.

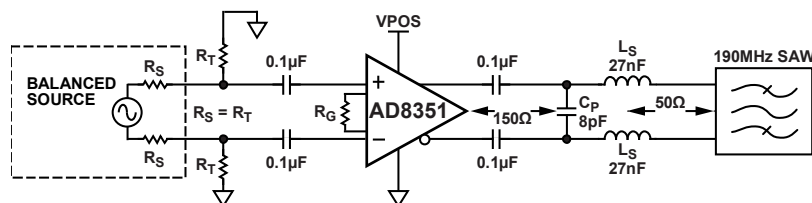


Figure 35. Example of Differential SAW Filter Interface (f_c = 190 MHz)

Figure 35 illustrates a surface acoustic wave (SAW) filter interface. Many SAW filters are inherently differential, allowing for a low loss output match. In this example, the SAW filter requires a 50 Ω source impedance to provide the desired center frequency and Q. The series L shunt C output network provides a 150 Ω to 50 Ω impedance transformation at the desired frequency of operation. The impedance transformation is illustrated on a Smith chart in Figure 36.

It is possible to drive a single-ended SAW filter by connecting the unused output to ground using the appropriate terminating resistance. The overall gain of the system is reduced by 6 dB because only half of the signal is available to the input of the SAW filter.

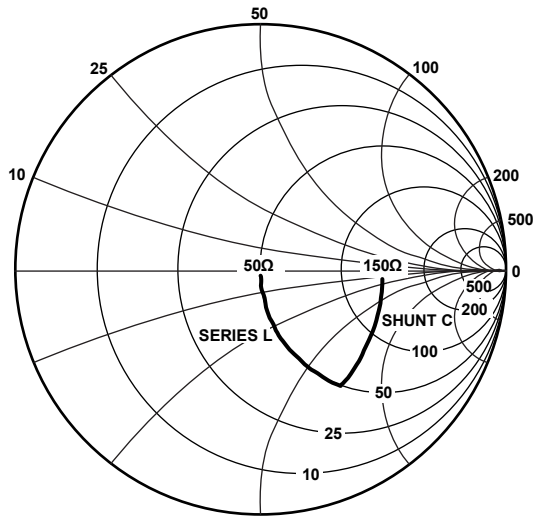


Figure 36. Smith Chart Representation of SAW Filter Output Matching Network

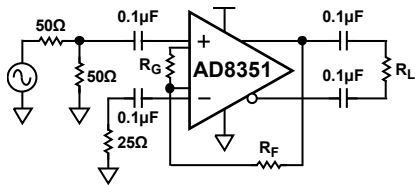


Figure 37. Single-Ended Application

SINGLE-ENDED-TO-DIFFERENTIAL OPERATION

The AD8351 can easily be configured as a single-ended-to-differential gain block, as illustrated in Figure 37. The input signal is ac-coupled and applied to the INHI input. The unused input is ac-coupled to ground. Select the values of C1 through C4 such that their reactances are negligible at the desired frequency of operation. To balance the outputs, an external feedback resistor, R_F , is required. To select the gain resistor and the feedback resistor, refer to Figure 38 and Figure 39. From Figure 38, select an R_G for the required dB gain at a given load. Next, select from Figure 39 an R_F resistor for the selected R_G and load.

Even though the differential balance is not perfect under these conditions, the distortion performance is still impressive. Figure 13 and Figure 14 show the second and third harmonic distortion performance when driving the input of the AD8351 using a single-ended 50 Ω source.

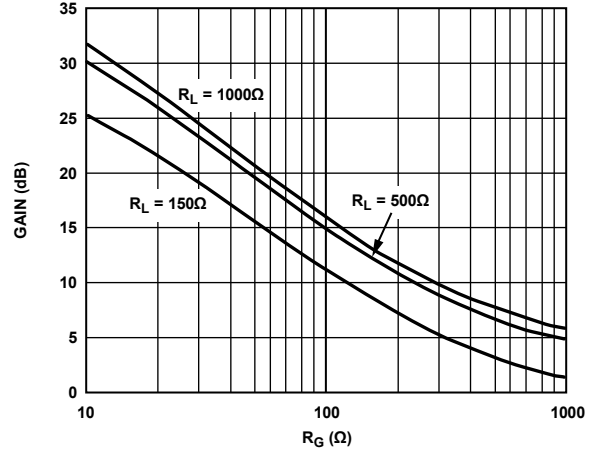


Figure 38. Gain Selection

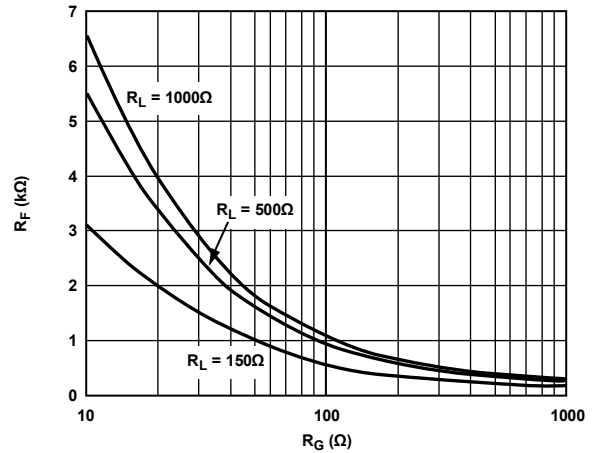


Figure 39. Feedback Resistor Selection

ADC DRIVING

The circuit in Figure 40 represents a simplified front end of the AD8351 driving the AD6645, which is a 14-bit, 105 MSPS ADC. For optimum performance, the AD6645 and the AD8351 are driven differentially. The resistors R1 and R2 present a 50 Ω differential input impedance to the source with R3 and R4 providing isolation from the analog-to-digital input. The gain setting resistor for the AD8351 is R_G . The AD6645 presents a 1 kΩ differential load to the AD8351 and requires a 2.2 V p-p differential signal between AIN and AIN for a full-scale output. This AD8351 circuit then provides the gain, isolation, and source matching for the AD6645. The AD8351 also provides a balanced input, not provided by the balun, to the AD6645, which is essential for second-order cancellation. The signal generator is bipolar, centered around ground. Connecting the VOCM pin (Pin 10 on the MSOP and Pin 13 on the LFCSP) of the AD8351 to the VREF pin of the AD6645 sets the common-mode output voltage of the AD8351 at 2.4 V. This voltage is bypassed with a 0.1 μF capacitor. Increasing the gain of the AD8351 increases the system noise and thus decrease the SNR but does not significantly affect the distortion. The circuit in Figure 40 can provide SFDR performance of better than -90 dBc with a 10 MHz input and -80 dBc with a 70 MHz input at a gain of 10 dB.

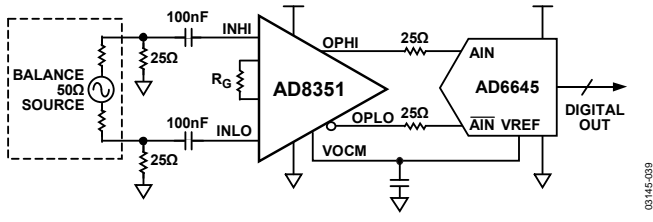


Figure 40. ADC Driving Application Using Differential Input

The circuit of Figure 41 represents a single-ended input to differential output configuration of the AD8351 driving the AD6645. In this case, R₁ provides the input impedance. R_G is the gain setting resistor. The resistor R_F is required to balance the output voltages required for second-order cancellation by the AD6645 and can be selected using a chart (see the Single-Ended-to-Differential Operation section). The circuit depicted in Figure 41 can provide SFDR performance of better than -90 dBc with a 10 MHz input and -77 dBc with a 70 MHz input.

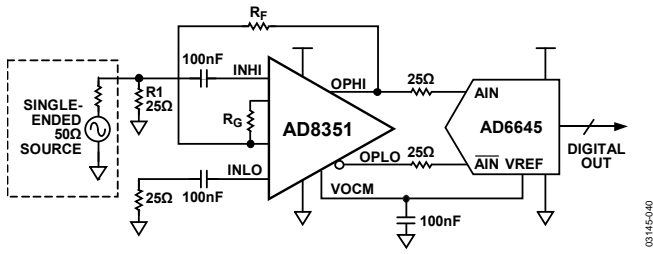


Figure 41. ADC Driving Application Using Single-Ended Input

ANALOG MULTIPLEXING

The AD8351 can be used as an analog multiplexer in applications where it is desirable to select multiple high speed signals. The isolation of each device when in a disabled state (PWUP pin pulled low) is about 60 dBc for the maximum input level of 0.5 V p-p out to 100 MHz. The low output noise spectral density allows for a simple implementation as depicted in Figure 42. The PWUP interface can be easily driven using most standard logic interfaces. By using an N-bit digital interface, up to N devices can be controlled. Output loading effects and noise need to be considered when using a large number of input signal paths. Each disabled AD8351 presents approximately a 700 Ω load in parallel with the 150 Ω output source impedance of the enabled device. As the load increases due to the addition of N devices, the distortion performance will degrade due to the heavier loading. Distortion better than -70 dBc can be achieved with four devices muxed into a 1 kΩ load for signal frequencies up to 70 MHz.

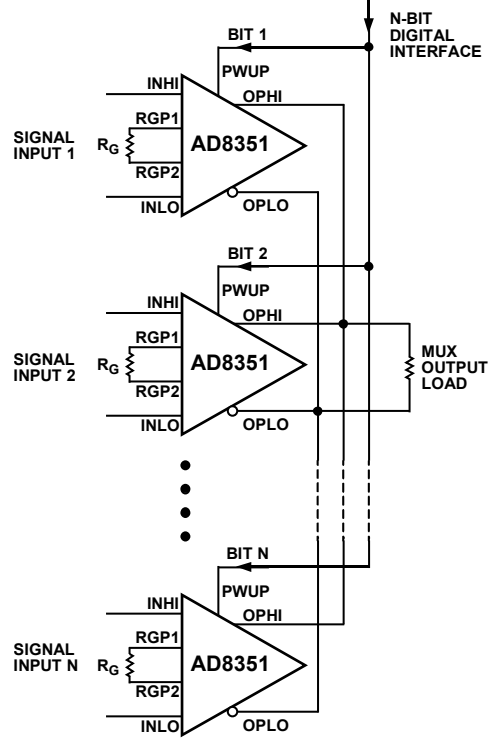


Figure 42. Using Several AD8351s to Form an N-Channel Analog MUX

I/O CAPACITIVE LOADING

Input or output direct capacitive loading greater than a few picofarads can result in excessive peaking and/or oscillation outside the pass band. This results from the package and bond wire inductance resonating in parallel with the input/output capacitance of the device and the associated coupling that results internally through the ground inductance. For low resistive load or source resistance, the effective Q is lower, and higher relative capacitance termination or terminations can be allowed before oscillation or excessive peaking occurs. These effects can be eliminated by adding series input resistors (R_{IP}) for high source capacitance, or series output resistors (R_{OP}) for high load capacitance. Generally less than 25 Ω is all that is required for I/O capacitive loading greater than ~2 pF. The higher the C, the smaller the R parasitic suppression resistor required. In addition, R_{IP} helps to reduce low gain in-band peaking, especially for light resistive loads.

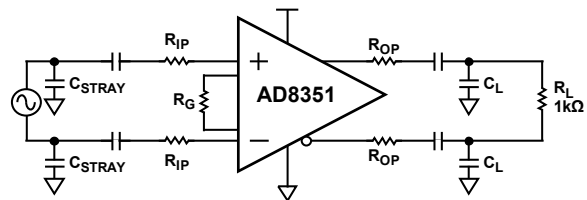


Figure 43. Input and Output Parasitic Suppression Resistors, R_{IP} and R_{OP}, Used to Suppress Capacitive Loading Effects

Due to package parasitic capacitance on the R_G ports, high R_G values (low gain) cause high ac-peaking inside the pass band, resulting in poor settling in the time domain. As an example, when driving a 1 k Ω load, using 25 Ω for R_{IP} reduces the peaking by ~7 dB for R_G equal to 200 Ω ($A_V = 10$ dB) (see Figure 44).

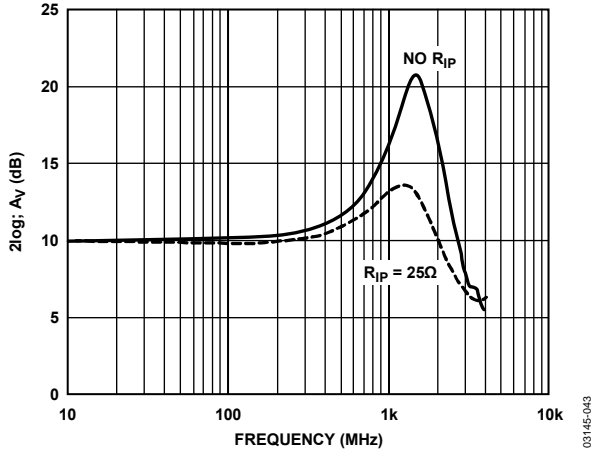


Figure 44. Reducing Gain Peaking with Parasitic Suppressing Resistors ($R_{IP} = 25 \Omega$, $R_L = 1 \text{ k}\Omega$)

It is important to ensure that all I/O, ground, and R_G port traces be kept as short as possible. In addition, the ground plane must be removed from under the package. Due to the inverse relationship between the gain of the device and the value of the R_G resistor, any parasitic capacitance on the R_G ports can result in gain-peaking at high frequencies. Following the precautions outlined in Figure 45 helps to reduce parasitic board capacitance, thus extending the bandwidth of the device and reducing potential peaking or oscillation.

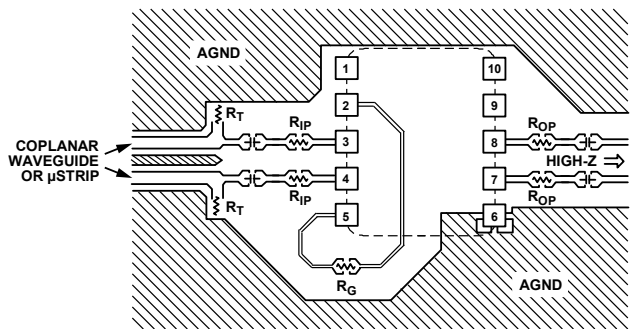


Figure 45. General Description of Recommended Board Layout for High-Z Load Conditions (10-Lead MSOP Package)

TRANSMISSION LINE EFFECTS

As noted, stray transmission line capacitance, in combination with package parasitics, can potentially form a resonant circuit at high frequencies, resulting in excessive gain peaking. R_T transmission lines connecting the input and output networks must be designed to minimize stray capacitance. The output single-ended source impedance of the AD8351 is dynamically set to a nominal value of 75 Ω . Therefore, for a matched load termination, design the characteristic impedance of the output transmission lines to be 75 Ω . In many situations, the final load impedance may be relatively high, greater than 1 k Ω . It is suggested that the board be designed as shown in Figure 45 for high impedance load conditions. In most practical board designs, this requires that the printed circuit board traces be dimensioned to a small width (~5 mils) and that the underlying and adjacent ground planes are far enough away to minimize capacitance.

Typically the driving source impedance into the device is below and terminating resistors are used to prevent input reflections. The transmission line must be designed to have the appropriate characteristic impedance in the low-Z region. The high impedance environment between the terminating resistors and device input pins must not have ground planes underneath or near the signal traces. Small parasitic suppressing resistors may be necessary at the device input pins to help desensitize (de-Q) the resonant effects of the device bond wires and surrounding parasitic board capacitance. Typically, 25 Ω series resistors (size 0402) adequately de-Q the input system without a significant decrease in ac performance.

Figure 46 illustrates the value of adding input and output series resistors to help desensitize the resonant effects of board parasitics. Overshoot and undershoot can be significantly reduced with the simple addition of R_{IP} and R_{OP} .

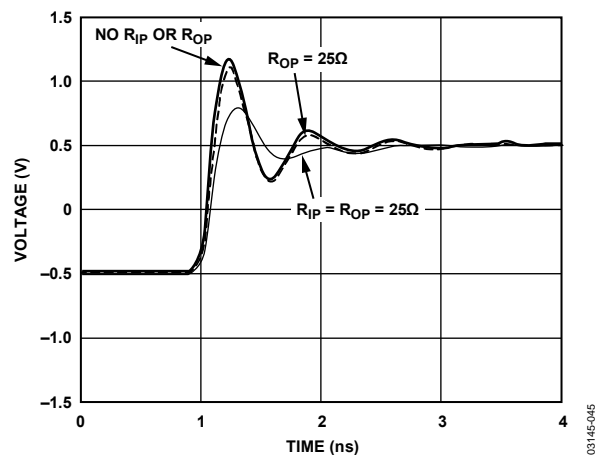


Figure 46. Step Response Characteristics With and Without Input and Output Parasitic Suppression Resistors

CHARACTERIZATION SETUP

The test circuit used for 150 Ω and 1 kΩ load testing is shown in Figure 47. The evaluation board uses balun transformers to simplify interfacing to single-ended test equipment. Balun effects must be removed from the measurements to accurately characterize the performance of the device at frequencies exceeding 1 GHz.

The output L-pad matching networks provide a broadband impedance match with minimum insertion loss. The input lines are terminated with 50 Ω resistors for input impedance matching. The power loss associated with these networks must be accounted for when attempting to measure the gain of the device. The required resistor values and the appropriate insertion loss and correction factors used to assess the voltage gain are shown in Table 5.

Table 5. Load Conditions Specified Differentially

| Load Condition | R1 (Ω) | R2 (Ω) | Total Insertion Loss (dB) | Conversion Factor 20 log (S21) to 20 log (Av) |
|----------------|--------|--------|---------------------------|---|
| 150 Ω | 43.2 | 86.6 | 5.8 | 7.6 dB |
| 1 kΩ | 475 | 52.3 | 15.9 | 25.9 dB |

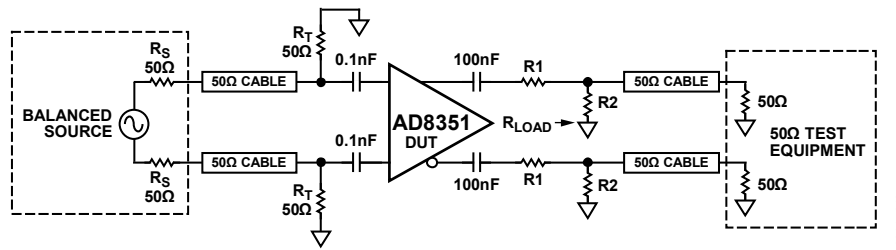


Figure 47. Test Circuit

03145-046

EVALUATION BOARD

An evaluation board is available for experimentation. Various parameters such as gain, common-mode level, and input and output network configurations can be modified through minor resistor changes. The schematic and evaluation board artwork are presented in Figure 48, Figure 49, and Figure 50.

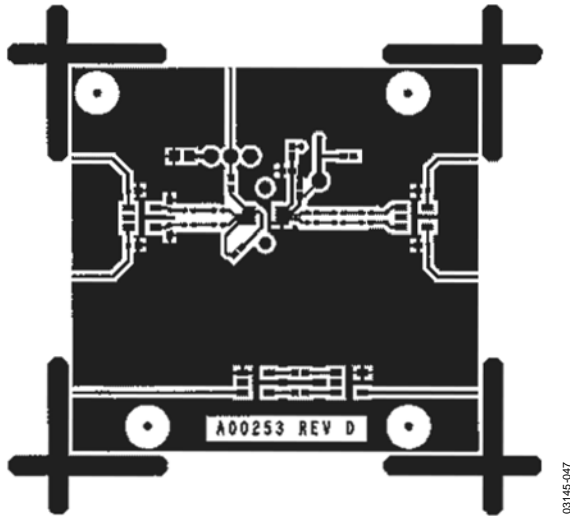


Figure 48. Component Side Layout

03145-047

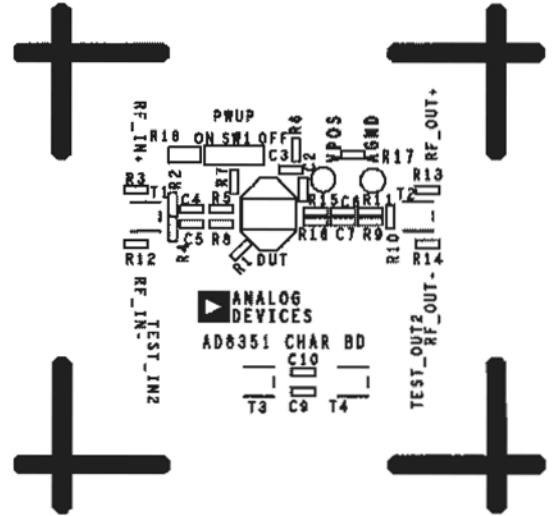


Figure 49. Component Side Silkscreen

03145-048

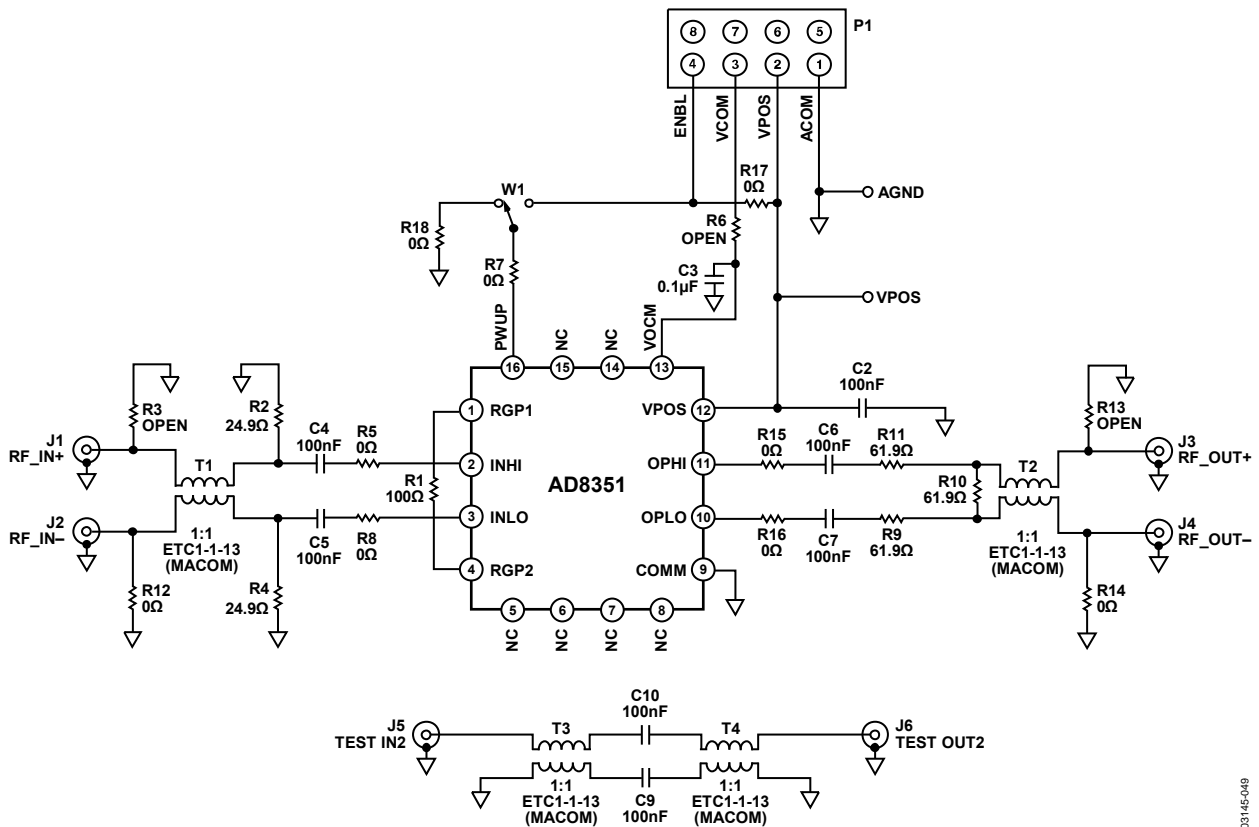


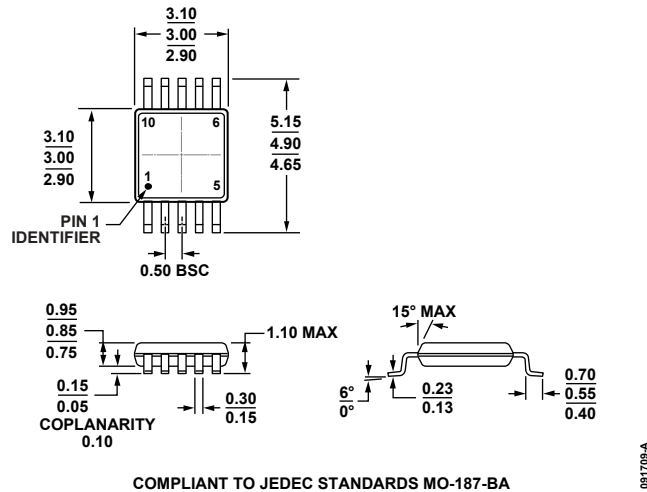
Figure 50. Evaluation Board Schematic

03145-049

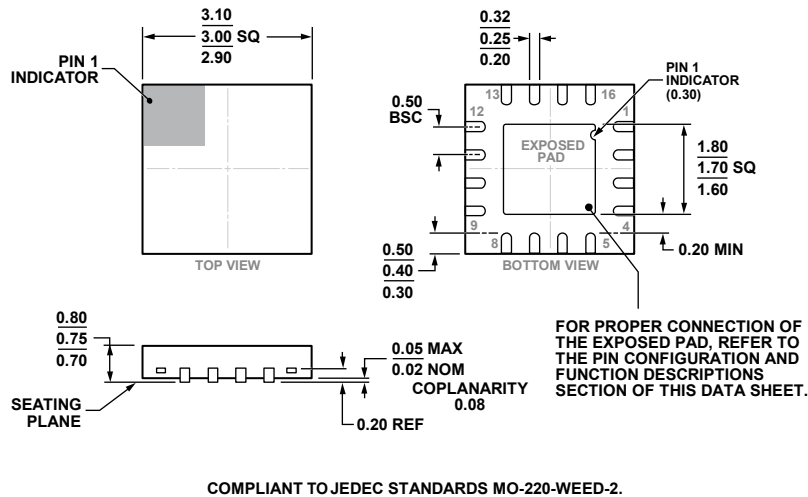
Table 6. Evaluation Board Configuration Options

| Component | Function | Default Condition |
|--|--|---|
| P1-1, P1-2, VPOS, AGND | Supply and Ground Pins. | Not Applicable |
| P1-3 | Common-Mode Offset Pin. Allows for monitoring or adjustment of the output common-mode voltage. | Not Applicable |
| W1, R7, P1-4, R17, R18 | Device Enable. Configured such that switch W1 disables the device when Pin 1 is set to ground. Device can be disabled remotely using Pin 4 of header P1. | W1 = Installed R7 = 0 Ω (Size 0603) R17 = R18 = 0 Ω (Size 0603) |
| R2, R3, R4, R5, R8, R12, T1, C4, C5 | Input Interface. R3 and R12 are used to ground one side of the differential drive interface for single-ended applications. T1 is a 1-to-1 impedance ratio balun used to transform a single-ended input into a balanced differential signal. R2 and R4 are used to provide a differential 50 Ω input termination. R5 and R8 can be increased to reduce gain peaking when driving from a high source impedance. The 50 Ω termination provides an insertion loss of 6 dB. C4 and C5 are used to provide ac coupling. | R2 = R4 = 24.9 Ω (Size 0805) R3 = Open (Size 0603) R5 = R8 = R12 = 0 Ω (Size 0603) C4 = C5 = 100 nF (Size 0603) T1 = Macom™ ETC1-1-13 |
| R9, R10, R11, R13, R14, R15, R16, T2, C4, C5, C6, C7 | Output Interface. R13 and R14 are used to ground one side of the differential output interface for single-ended applications. T2 is a 1-to-1 impedance ratio balun used to transform a balanced differential signal into a single-ended signal. R9, R10, and R11 are provided for generic placement of matching components. R15 and R16 allow additional output series resistance when driving capacitive loads. The evaluation board is configured to provide a 150 Ω to 50 Ω impedance transformation with an insertion loss of 9.9 dB. C4 through C7 are used to provide ac coupling. | R9 = R10 = 61.9 Ω (Size 0603) R11 = 61.9 Ω (Size 0603) R13 = Open (Size 0603) R14 = 0 Ω (Size 0603) R15 = R16 = 0 Ω (Size 0402) C4 = C5 = 100 nF (Size 0603) C6 = C7 = 100 nF (Size 0603) T2 = Macom ETC1-1-13 |
| R1 | Gain Setting Resistor. Resistor R1 is used to set the gain of the device. Refer to Figure 5 when selecting gain resistor. When R1 is 100 Ω , the overall system gain of the evaluation board is approximately -6 dB. | R1 = 100 Ω (Size 0603) |
| C2 | Power Supply Decoupling. The supply decoupling consists of a 100 nF capacitor to ground. | C2 = 100 nF (Size 0805) |
| R6, C3, P1-3 | Common-Mode Offset Adjustment. Used to trim common-mode output level. By applying a voltage to Pin 3 of header P1, the output common-mode voltage can be directly adjusted. Typically decoupled to ground using a 0.1 μ F capacitor. | R6 = 0 Ω (Size 0603) C3 = 0.1 μ F (Size 0805) |
| T3, T4, C9, C10 | Calibration Networks. Calibration path provided to allow for compensation of the insertion loss of the baluns and the reactance of the coupling capacitors. | T3 = T4 = Macom ETC1-1-13 C9 = C10 = 100 nF (Size 0603) |

OUTLINE DIMENSIONS



COMPLIANT TO JEDEC STANDARDS MO-187-BA
 Figure 51. 10-Lead Mini Small Outline Package [MSOP] (RM-10)
 Dimensions shown in millimeters



COMPLIANT TO JEDEC STANDARDS MO-220-WEED-2.
 Figure 52. 16-Lead Lead Frame Chip Scale Package [LFCSP_WQ] 3 mm x 3 mm Body, Very Very Thin Quad (CP-16-35)
 Dimensions shown in millimeters

ORDERING GUIDE

| Model ¹ | Temperature Range | Package Description | Package Option | Branding |
|--------------------|-------------------|--|----------------|----------|
| AD8351ARM | -40°C to +85°C | 10-Lead Mini Small Outline Package [MSOP] | RM-10 | JDA |
| AD8351ARM-REEL7 | -40°C to +85°C | 10-Lead Mini Small Outline Package [MSOP] | RM-10 | JDA |
| AD8351ARMZ | -40°C to +85°C | 10-Lead Mini Small Outline Package [MSOP] | RM-10 | #JDA |
| AD8351ARMZ-REEL7 | -40°C to +85°C | 10-Lead Mini Small Outline Package [MSOP] | RM-10 | #JDA |
| AD8351ACPZ-R7 | -40°C to +85°C | 16-Lead Lead Frame Chip Scale Package [LFCSP_WQ] | CP-16-35 | Q20 |
| AD8351-EVALZ | | Evaluation Board | | |

¹ Z = RoHS Compliant Part.