

VSC8664

Quad Port 10/100/1000BASE-T PHY and 100BASE-FX/1000BASE-X SerDes with Recovered Clock Outputs

Wide Range of Support

- Compliant with IEEE 802.3 (10BASE-T, 100BASE-TX, 1000BASE-T, 100BASE-FX, and 1000BASE-X) specifications
- Support for 802.3ah unidirectional transport for 100BASE-FX and 1000BASE-X fiber media
- Support for >16 kB jumbo frames in all speeds with programmable synchronization FIFOs
- Supports Cisco SGMII v1.7 and 1000BASE-X MACs, IEEE 1149.1 JTAG boundary scan, and IEEE 1149.6 AC-JTAG

Synchronous Ethernet

- Recovered clock output support for G.8261 and IEEE-1588 synchronous Ethernet applications, including programmable squelch control
- Patent-pending, fast link fail indication (<1 ms) to provide an earlier indication of a link failure to critical metro ethernet traffic and synchronization links

Flexibility

- Integrated quad I2C multiplexer to control SFPs or PoE modules, eliminating the need for an external two-wire serial device for the control and status of SFP or PoE modules

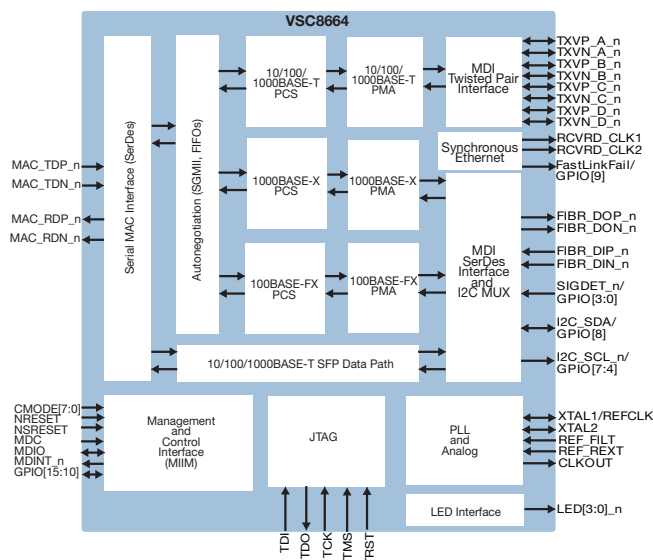
- VeriPHY® cable diagnostics suite provides extensive network cable information such as cable length, termination status, and open/short fault location
- Extensive test features (including near end, far end, and connector loopback, and Ethernet packet generator with CRC error counter) to decrease time-to-market

Advanced SerDes

- Dual, high-performance 1.25 Gbps SerDes to maximize receive jitter tolerance and minimize transmit jitter (in comparison to single SerDes architectures)
- Supports 100BASE-FX fiber, 1000BASE-X fiber, and triple-speed copper SFPs over SerDes pins
- Advanced SerDes feature capabilities including transmitter amplitude control, receiver equalization, and link integrity status information

Related Products

Visit www.microsemi.com for information about other related products.



Microsemi Corporate Headquarters
 One Enterprise, Aliso Viejo, CA 92656 USA
 Within the USA: +1 (800) 713-4113
 Outside the USA: +1 (949) 380-6100
 Sales: +1 (949) 380-6136
 Fax: +1 (949) 215-4996
 email: sales.support@microsemi.com
www.microsemi.com

Microsemi Corporation (Nasdaq: MSCC) offers a comprehensive portfolio of semiconductor and system solutions for communications, defense and security, aerospace, and industrial markets. Products include high-performance and radiation-hardened analog mixed-signal integrated circuits, FPGAs, SoCs, and ASICs; power management products; timing and synchronization devices and precise time solutions; voice processing devices; RF solutions; discrete components; enterprise storage and communications solutions, security technologies, and scalable anti-tamper products; Ethernet solutions; Power-over-Ethernet ICs and midspans; custom design capabilities and services. Microsemi is headquartered in Aliso Viejo, California, and has approximately 4,800 employees worldwide. Learn more at www.microsemi.com.