

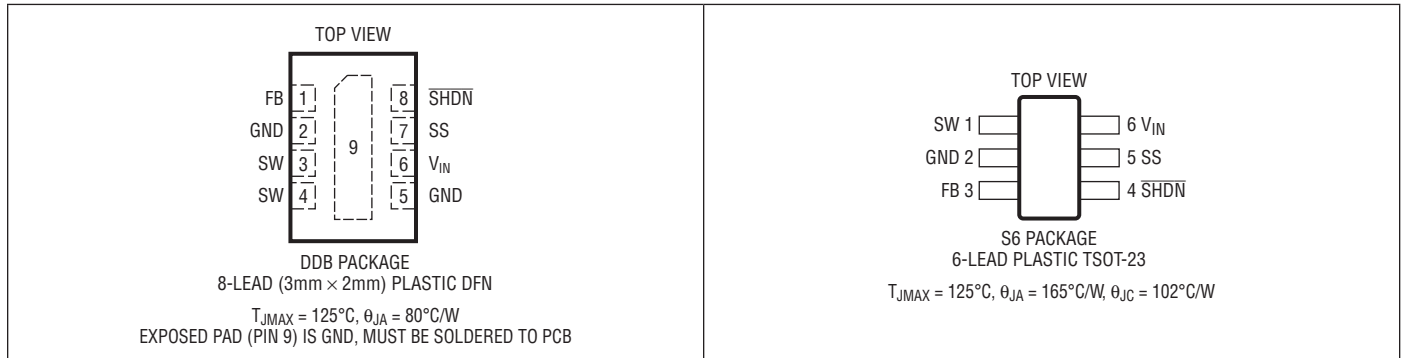
# LT3467/LT3467A

## ABSOLUTE MAXIMUM RATINGS (Note 1)

|  |              |
|--|--------------|
| $V_{IN}$ Voltage .....                 | 16V          |
| SW Voltage .....                       | -0.4V to 42V |
| FB Voltage .....                       | 2.5V         |
| Current Into FB Pin .....              | $\pm 1$ mA   |
| $\overline{\text{SHDN}}$ Voltage ..... | 16V          |
| Maximum Junction Temperature .....     | 125°C        |

|   |                |
|---|----------------|
| Operating Junction Temperature Range (Note 2) |                |
| E Grade .....                                 | -40°C to 85°C  |
| I Grade .....                                 | -40°C to 125°C |
| Storage Temperature Range .....               | -65°C to 150°C |
| Lead Temperature (Soldering, 10 sec)          |                |
| TSOT .....                                    | 300°C          |

## PIN CONFIGURATION



## ORDER INFORMATION

| LEAD FREE FINISH  | TAPE AND REEL     | PART MARKING* | PACKAGE DESCRIPTION            | TEMPERATURE RANGE |
|-------------------|-------------------|---------------|--------------------------------|-------------------|
| LT3467EDDB#PBF    | LT3467EDDB#TRPBF  | LCPX          | 8-Lead (3mm × 2mm) Plastic DFN | -40°C to 85°C     |
| LT3467IDDB#PBF    | LT3467IDDB#TRPBF  | LCPX          | 8-Lead (3mm × 2mm) Plastic DFN | -40°C to 125°C    |
| LT3467AEDDB#PBF   | LT3467AEDDB#TRPBF | LCKD          | 8-Lead (3mm × 2mm) Plastic DFN | -40°C to 85°C     |
| LT3467AIDDB#PBF   | LT3467AIDDB#TRPBF | LCKD          | 8-Lead (3mm × 2mm) Plastic DFN | -40°C to 125°C    |
| LT3467IS6#PBF     | LT3467IS6#TRPBF   | LTACH         | 6-Lead Plastic TSOT-23         | -40°C to 125°C    |
| LT3467ES6#PBF     | LT3467ES6#TRPBF   | LTACH         | 6-Lead Plastic TSOT-23         | -40°C to 85°C     |
| LT3467AES6#PBF    | LT3467AES6#TRPBF  | LTBCC         | 6-Lead Plastic TSOT-23         | -40°C to 85°C     |
| LT3467AIS6#PBF    | LT3467AIS6#TRPBF  | LTBCC         | 6-Lead Plastic TSOT-23         | -40°C to 125°C    |
| LEAD BASED FINISH | TAPE AND REEL     | PART MARKING* | PACKAGE DESCRIPTION            | TEMPERATURE RANGE |
| LT3467EDDB        | LT3467EDDB#TR     | LCPX          | 8-Lead (3mm × 2mm) Plastic DFN | -40°C to 85°C     |
| LT3467IDDB        | LT3467IDDB#TR     | LCPX          | 8-Lead (3mm × 2mm) Plastic DFN | -40°C to 125°C    |
| LT3467AEDDB       | LT3467AEDDB#TR    | LCKD          | 8-Lead (3mm × 2mm) Plastic DFN | -40°C to 85°C     |
| LT3467AIDDB       | LT3467AIDDB#TR    | LCKD          | 8-Lead (3mm × 2mm) Plastic DFN | -40°C to 125°C    |
| LT3467IS6         | LT3467IS6#TR      | LTACH         | 6-Lead Plastic TSOT-23         | -40°C to 125°C    |
| LT3467ES6         | LT3467ES6#TR      | LTACH         | 6-Lead Plastic TSOT-23         | -40°C to 85°C     |
| LT3467AES67       | LT3467AES6#TR     | LTBCC         | 6-Lead Plastic TSOT-23         | -40°C to 85°C     |
| LT3467AIS67       | LT3467AIS67#TR    | LTBCC         | 6-Lead Plastic TSOT-23         | -40°C to 125°C    |

Consult LTC Marketing for parts specified with wider operating temperature ranges. \*The temperature grade is identified by a label on the shipping container.

For more information on lead free part marking, go to: <http://www.linear.com/leadfree/>

For more information on tape and reel specifications, go to: <http://www.linear.com/tapeandree/>

3467afe

**ELECTRICAL CHARACTERISTICS** The ● denotes the specifications which apply over the full operating temperature range, otherwise specifications are at  $T_A = 25^\circ\text{C}$ .  $V_{IN} = 3\text{V}$ ,  $V_{SHDN} = V_{IN}$  unless otherwise noted. Specifications are for both the LT3467 and LT3467A unless otherwise noted.

| PARAMETER                     | CONDITIONS                                      |   | MIN            | TYP   | MAX            | UNITS         |
|-------------------------------|---|---|----------------|-------|----------------|---------------|
| Minimum Operating Voltage     |   |   |                | 2.2   | 2.4            | V             |
| Maximum Operating Voltage     |   |   |                |       | 16             | V             |
| Feedback Voltage              |   |   | 1.230<br>1.220 | 1.255 | 1.270<br>1.280 | V<br>V        |
| FB Pin Bias Current           | (Note 3)  | ● |                | 10    | 50             | nA            |
| Quiescent Current             | $V_{SHDN} = 2.4\text{V}$ , Not Switching        |   |                | 1.2   | 2              | mA            |
| Quiescent Current in Shutdown | $V_{SHDN} = 0.5\text{V}$ , $V_{IN} = 3\text{V}$ |   |                | 0.01  | 1              | $\mu\text{A}$ |
| Reference Line Regulation     | $2.6\text{V} \leq V_{IN} \leq 16\text{V}$       |   |                | 0.01  | 0.05           | %/V           |
| Switching Frequency           | LT3467  |   | 1              | 1.3   | 1.6            | MHz           |
|                               | LT3467A   |   | 1.6            | 2.1   | 2.7            | MHz           |
|                               | LT3467A   | ● | 1.6            |       |                | MHz           |
| Maximum Duty Cycle            | LT3467  |   | 88             | 94    |                | %             |
|                               | LT3467  | ● | 87             |       |                | %             |
|                               | LT3467A   |   | 82             | 88    |                | %             |
|                               | LT3467A   | ● | 78             |       |                | %             |
| Minimum Duty Cycle            |   |   | 10             |       |                | %             |
| Switch Current Limit          | At Minimum Duty Cycle                           |   | 1.4            | 1.8   | 2.5            | A             |
|                               | At Maximum Duty Cycle (Note 4)                  |   | 0.8            | 1.2   | 1.9            | A             |
| Switch $V_{CESAT}$            | $I_{SW} = 1.1\text{A}$                          |   |                | 330   | 500            | mV            |
| Switch Leakage Current        | $V_{SW} = 5\text{V}$                            |   |                | 0.01  | 1              | $\mu\text{A}$ |
| SHDN Input Voltage High       |   |   | 2.4            |       |                | V             |
| SHDN Input Voltage Low        |   |   |                |       | 0.5            | V             |
| SHDN Pin Bias Current         | $V_{SHDN} = 3\text{V}$                          |   |                | 16    | 32             | $\mu\text{A}$ |
|                               | $V_{SHDN} = 0\text{V}$                          |   |                | 0     | 0.1            | $\mu\text{A}$ |
| SS Charging Current           | $V_{SS} = 0.5\text{V}$                          |   | 2              | 3     | 4.5            | $\mu\text{A}$ |

**Note 1:** Stresses beyond those listed under Absolute Maximum Ratings may cause permanent damage to the device. Exposure to any Absolute Maximum Rating condition for extended periods may affect device reliability and lifetime.

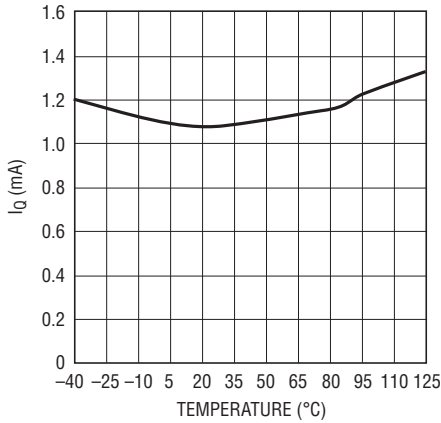
**Note 2:** The LT3467E/LT3467AE are guaranteed to meet performance specifications from  $0^\circ\text{C}$  to  $85^\circ\text{C}$ , junction temperature. Specifications over the  $-40^\circ\text{C}$  to  $85^\circ\text{C}$  operating junction temperature range are assured by design, characterization and correlation with statistical process controls. The LT3467I/LT3467AI are guaranteed over the full  $-40^\circ\text{C}$  to  $125^\circ\text{C}$  operating junction temperature range.

**Note 3:** Current flows out of the pin.

**Note 4:** See Typical Performance Characteristics for guaranteed current limit vs duty cycle.

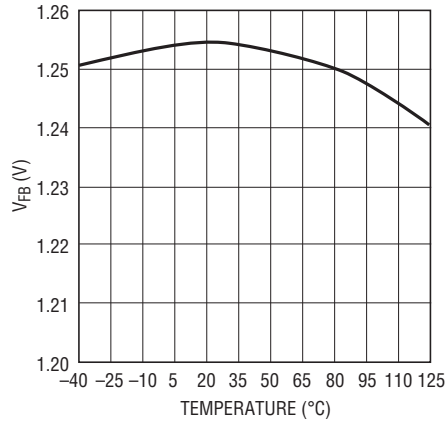
## TYPICAL PERFORMANCE CHARACTERISTICS

**Quiescent Current vs Temperature**



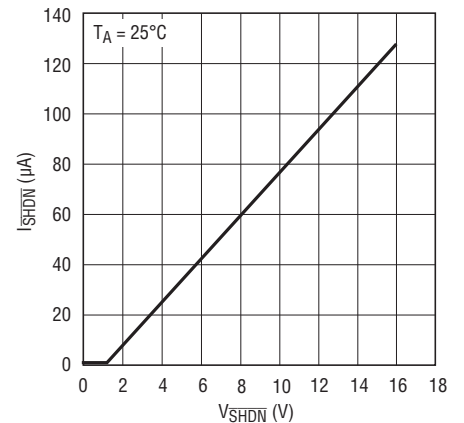
3467 G01

**FB Pin Voltage vs Temperature**



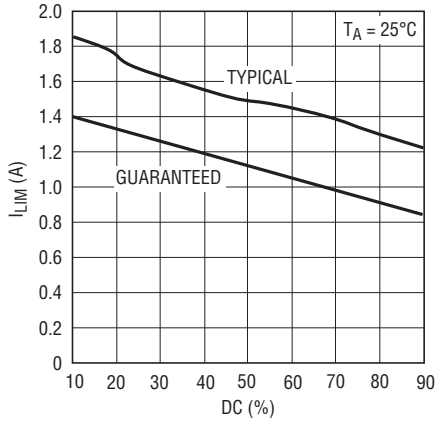
3467 G02

**SHDN Current vs SHDN Voltage**



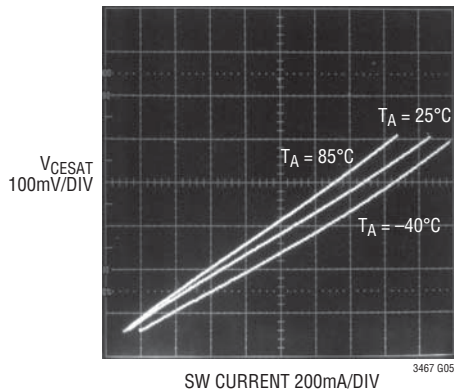
3467 G03

**Current Limit vs Duty Cycle**



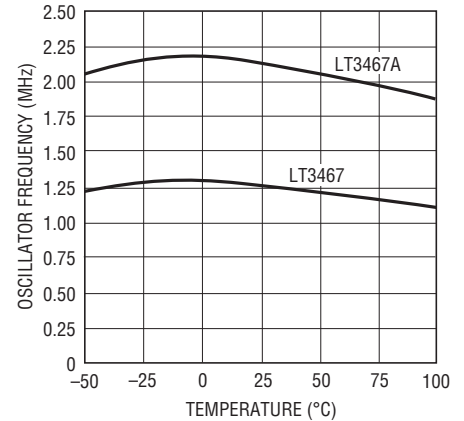
3467 G04

**Switch Saturation Voltage vs Switch Current**



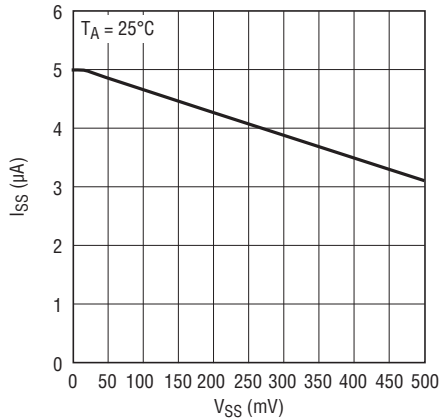
3467 G05

**Oscillator Frequency vs Temperature**



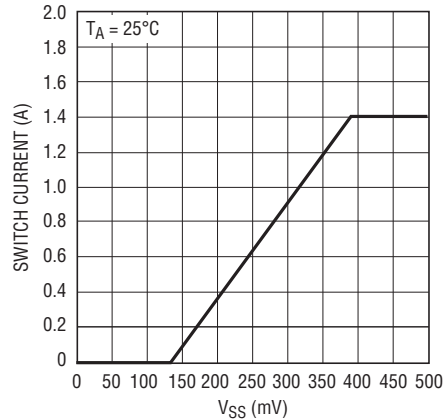
3467 G06

**Soft-Start Current vs Soft-Start Voltage**



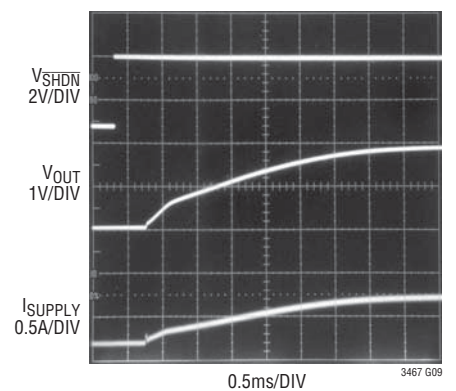
3467 G07

**Peak Switch Current vs Soft-Start Voltage**



3467 G08

**Start-Up Waveform (Figure 2 Circuit)**



3467 G09

## PIN FUNCTIONS (DFN/TSOT)

**FB (Pin 1/Pin 3):** Feedback Pin. Reference voltage is 1.255V. Connect resistive divider tap here. Minimize trace area at FB. Set  $V_{OUT} = 1.255V(1 + R1/R2)$ .

**GND (Pins 2, 5, 9/Pin 2):** Ground. Tie directly to local ground plane.

**SW (Pins 3, 4/Pin 1):** Switch Pin. (Collector of internal NPN power switch) Connect inductor/diode here and minimize the metal trace area connected to this pin to minimize EMI.

**V<sub>IN</sub> (Pin 6/Pin 6):** Input Supply Pin. Must be locally bypassed.

**SS (Pin 7/Pin 5):** Soft-Start Pin. Place a soft-start capacitor here. Upon start-up, 4μA of current charges the capacitor to 1.255V. Use a larger capacitor for slower start-up. Leave floating if not in use.

**SHDN (Pin 8/Pin 4):** Shutdown Pin. Tie to 2.4V or more to enable device. Ground to shut down.

## BLOCK DIAGRAM

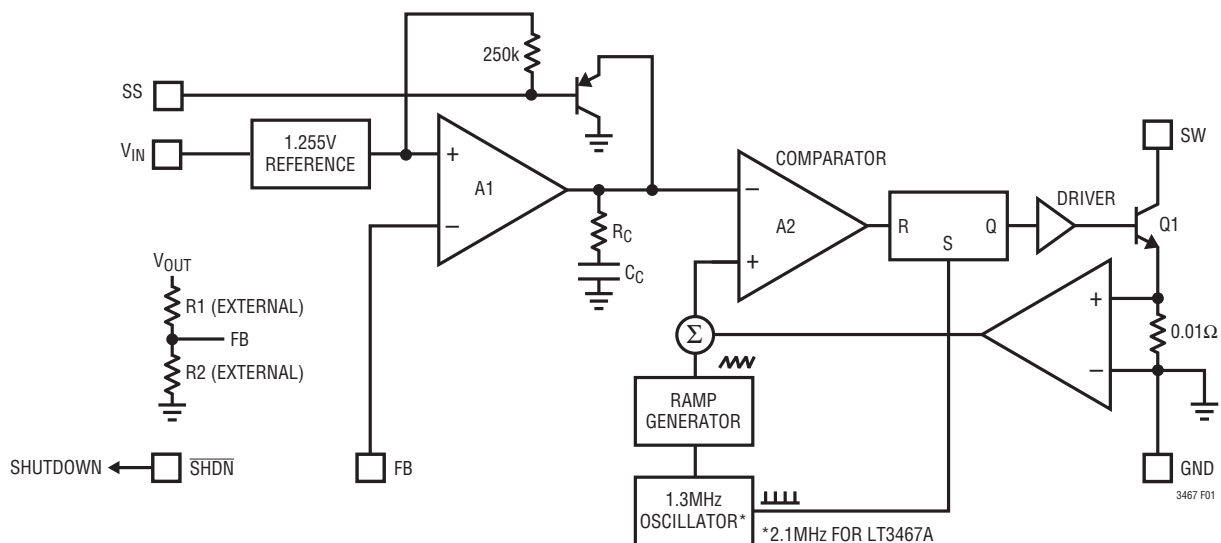


Figure 1. Block Diagram

## OPERATION

The LT3467 uses a constant frequency, current-mode control scheme to provide excellent line and load regulation. Refer to the Block Diagram. At the start of each oscillator cycle, the SR latch is set which turns on the power switch Q1. A voltage proportional to the switch current is added to a stabilizing ramp and the resulting sum is fed into the positive terminal of the PWM comparator A2. When this voltage exceeds the level at the negative input of A2, the SR latch is reset, turning off the power switch. The level at the negative input of A2 is set by the error amplifier A1, and is simply an amplified version of the difference between the feedback voltage and the reference voltage of 1.255V. In this manner, the error amplifier sets the correct peak current level to keep the output in regulation. If the error amplifier's output increases, more current is delivered to the output. Similarly, if the error decreases, less current is delivered. The soft-start feature of the LT3467 allows

for clean start-up conditions by limiting the rate of voltage rise at the output of comparator A1 which, in turn, limits the peak switch current. The soft-start pin is connected to a reference voltage of 1.255V through a 250k resistor, providing 4μA of current to charge the soft-start capacitor. Typical values for the soft-start capacitor range from 10nF to 200nF. The LT3467 has a current limit circuit not shown in the Block Diagram. The switch current is constantly monitored and not allowed to exceed the maximum switch current (typically 1.4A). If the switch current reaches this value, the SR latch is reset regardless of the state of comparator A2. This current limit protects the power switch as well as the external components connected to the LT3467.

The Block Diagram for the LT3467A (not shown) is identical except that the oscillator frequency is 2.1MHz.

## APPLICATIONS INFORMATION

### Duty Cycle

The typical maximum duty cycle of the LT3467 is 94% (88% for the LT3467A). The duty cycle for a given application is given by:

$$DC = \frac{|V_{OUT}| + |V_D| - |V_{IN}|}{|V_{OUT}| + |V_D| - |V_{CESAT}|}$$

where  $V_D$  is the diode forward voltage drop and  $V_{CESAT}$  is in the worst case 330mV (at 1.1A)

The LT3467 and LT3467A can be used at higher duty cycles, but must be operated in the discontinuous conduction mode so that the actual duty cycle is reduced.

### Setting Output Voltage

R1 and R2 determine the output voltage.

$$V_{OUT} = 1.255V (1 + R1/R2)$$

### Switching Frequency and Inductor Selection

The LT3467 switches at 1.3 MHz, allowing for small valued inductors to be used. 4.7μH or 10μH will usually suffice. The LT3467A switches at 2.1MHz, allowing for even smaller valued inductors to be used. 0.9μH to 6.8μH will usually suffice. Choose an inductor that can handle at least 1.2A without saturating, and ensure that the inductor has a low DCR (copper-wire resistance) to minimize  $I^2R$  power losses. Note that in some applications, the current handling requirements of the inductor can be lower, such as in the SEPIC topology where each inductor only carries one-half of the total switch current. For better efficiency, use similar valued inductors with a larger volume. Many different sizes and shapes are available from various manufacturers. Choose a core material that has low losses at 1.3MHz, (2.1MHz for the LT3467A) such as ferrite core.

# APPLICATIONS INFORMATION

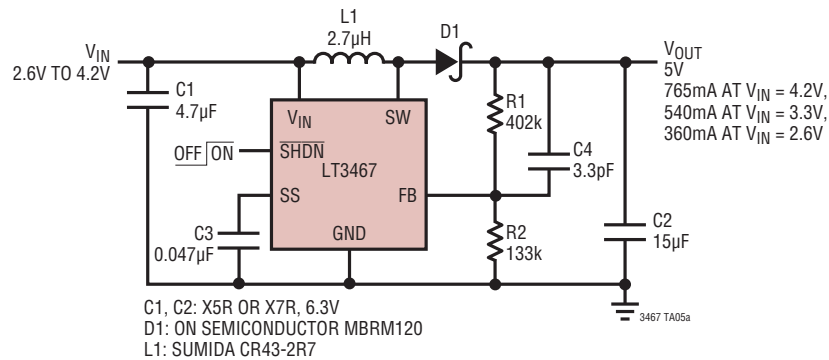


Figure 2. Single Li-Ion Cell to 5V Boost Converter (Same as 1st Page Application)

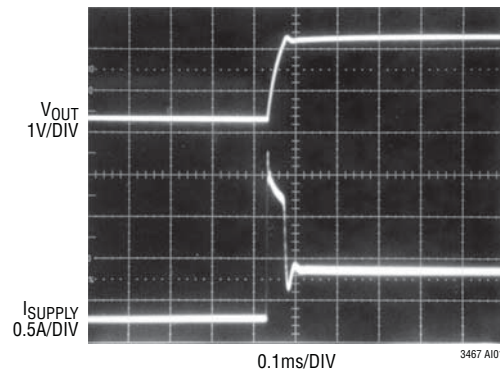
Table 1. Inductor Manufacturers

|        |                |                |
|--------|----------------|----------------|
| Sumida | (847) 956-0666 | www.sumida.com |
| TDK    | (847) 803-6100 | www.tdk.com    |
| Murata | (714) 852-2001 | www.murata.com |
| FDK    | (408) 432-8331 | www.fdk.co.jp  |

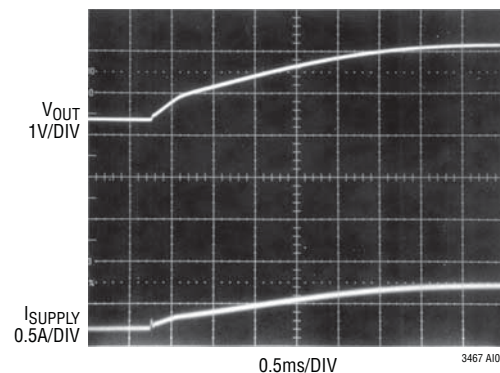
## Soft-Start

The soft-start feature provides a way to limit the inrush current drawn from the supply upon start-up. An internal 250k resistor charges the external soft-start capacitor to 1.255V. After the capacitor reaches 0.15V the rate of voltage rise at the output of the comparator A1 tracks the rate of voltage rise of the soft-start capacitor. This limits the inrush current drawn from the supply during start-up. The soft-start feature plays another important role in applications where the switch will reach levels of 30V or higher. During start-up, excessively high switch current, together with the presence of high voltage can overstress the switch. A properly used soft-start feature will keep the switch current from overshooting. This practice will greatly improve the robustness of such designs. Once the part is shut down, the soft-start capacitor is quickly discharged to 0.4V, then slowly discharged through the 250k resistor to ground. If the part is to be shut down and re-enabled in a short period of time while soft-start is used, you must ensure that the soft-start capacitor has enough time to discharge before re-enabling the part. Typical values of the soft-start capacitor range from 10nF to 200nF.

Supply Current of Figure 2 During Start-Up Without Soft-Start Capacitor



Supply Current of Figure 2 During Start-Up with a 47nF Soft-Start Capacitor



## APPLICATIONS INFORMATION

### Capacitor Selection

Low ESR (equivalent series resistance) capacitors should be used at the output to minimize the output ripple voltage. Multi-layer ceramic capacitors are an excellent choice, as they have extremely low ESR and are available in very small packages. X5R dielectrics are preferred, followed by X7R, as these materials retain the capacitance over wide voltage and temperature ranges. A 4.7µF to 15µF output capacitor is sufficient for most applications, but systems with very low output currents may need only a 1µF or 2.2µF output capacitor. Solid tantalum or OS-CON capacitors can be used, but they will occupy more board area than a ceramic and will have a higher ESR. Always use a capacitor with a sufficient voltage rating.

Ceramic capacitors also make a good choice for the input decoupling capacitor, which should be placed as close as possible to the LT3467. A 1µF to 4.7µF input capacitor is sufficient for most applications. Table 2 shows a list of several ceramic capacitor manufacturers. Consult the manufacturers for detailed information on their entire selection of ceramic parts.

**Table 2. Ceramic Capacitor Manufacturers**

|             |                |                 |
|-------------|----------------|-----------------|
| Taiyo Yuden | (408) 573-4150 | www.t-yuden.com |
| AVX         | (803) 448-9411 | www.avxcorp.com |
| Murata      | (714) 852-2001 | www.murata.com  |

The decision to use either low ESR (ceramic) capacitors or the higher ESR (tantalum or OS-CON) capacitors can affect the stability of the overall system. The ESR of any capacitor, along with the capacitance itself, contributes a zero to the system. For the tantalum and OS-CON capacitors, this zero is located at a lower frequency due to the higher value of the ESR, while the zero of a ceramic capacitor is at a much higher frequency and can generally be ignored.

A phase lead zero can be intentionally introduced by placing a capacitor (C4) in parallel with the resistor (R1) between V<sub>OUT</sub> and V<sub>FB</sub> as shown in Figure 2. The frequency of the zero is determined by the following equation.

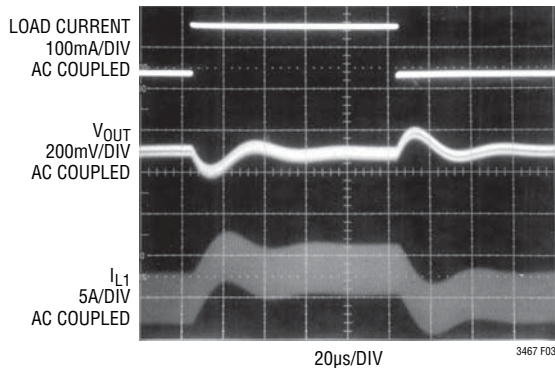
$$f_z = \frac{1}{2\pi \cdot R1 \cdot C4}$$

By choosing the appropriate values for the resistor and capacitor, the zero frequency can be designed to improve the phase margin of the overall converter. The typical target value for the zero frequency is between 35kHz to 55kHz. Figure 3 shows the transient response of the step-up converter from Figure 8 without the phase lead capacitor C4. Although adequate for many applications, phase margin is not ideal as evidenced by 2-3 “bumps” in both the output voltage and inductor current. A 22pF capacitor for C4 results in ideal phase margin, which is revealed in Figure 4 as a more damped response and less overshoot.

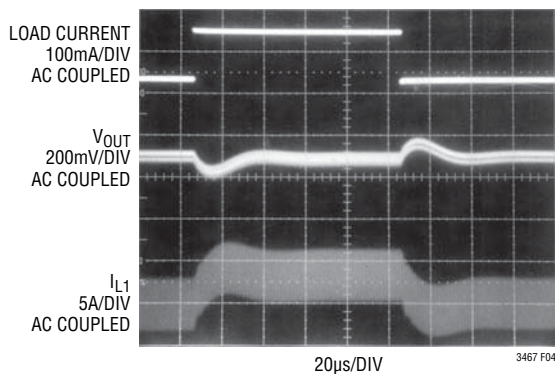
### Diode Selection

A Schottky diode is recommended for use with the LT3467 and the LT3467A. The Philips PMEG 2005 is a very good choice. Where the switch voltage exceeds 20V, use the PMEG 3005 (a 30V diode). Where the switch voltage exceeds 30V, use the PMEG 4005 (a 40V diode). These diodes are rated to handle an average forward current of 0.5A. In applications where the average forward current of the diode exceeds 0.5A, a Philips PMEG 2010 rated at 1A is recommended. For higher efficiency, use a diode with better thermal characteristics such as the On Semiconductor MBRM120 (a 20V diode) or the MBRM140 (a 40V diode).

## APPLICATIONS INFORMATION



**Figure 3. Transient Response of Figure 8’s Step-Up Converter without Phase Lead Capacitor**



**Figure 4. Transient Response of Figure 8’s Step-Up Converter with a 22pF Phase Lead Capacitor**

### Setting Output Voltage

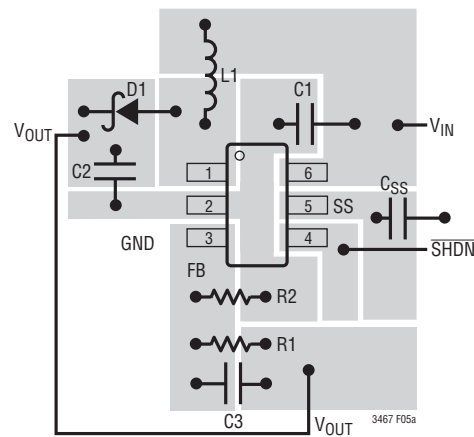
To set the output voltage, select the values of R1 and R2 (see Figure 2) according to the following equation.

$$R1 = R2 \left( \frac{V_{OUT}}{1.255V} - 1 \right)$$

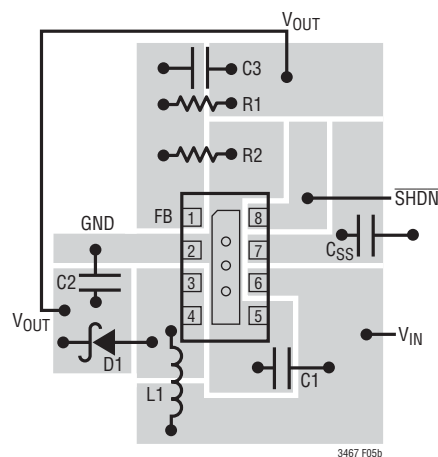
A good value for R2 is 13.3k which sets the current in the resistor divider chain to  $1.255V/13.3k = 94\mu A$ .

### Layout Hints

The high speed operation of the LT3467/LT3467A demands careful attention to board layout. You will not get advertised performance with careless layout. Figure 5a shows the recommended component placement for the ThinSOT package. Figure 5b shows the recommended component placement for the DFN package. Note the vias under the Exposed Pad. These should connect to a local ground plane for better thermal performance.



**Figure 5a. Suggested Layout—ThinSOT**



**Figure 5b. Suggested Layout—DFN**

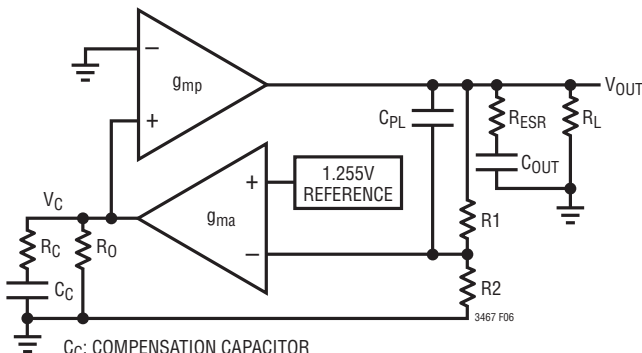


## APPLICATIONS INFORMATION

### Compensation—Theory

Like all other current mode switching regulators, the LT3467/LT3467A needs to be compensated for stable and efficient operation. Two feedback loops are used in the LT3467/LT3467A: a fast current loop which does not require compensation, and a slower voltage loop which does. Standard Bode plot analysis can be used to understand and adjust the voltage feedback loop.

As with any feedback loop, identifying the gain and phase contribution of the various elements in the loop is critical. Figure 6 shows the key equivalent elements of a boost converter. Because of the fast current control loop, the power stage of the IC, inductor and diode have been replaced by the equivalent transconductance amplifier  $g_{mp}$ .  $g_{mp}$  acts as a current source where the output current is proportional to the  $V_C$  voltage. Note that the maximum output current of  $g_{mp}$  is finite due to the current limit in the IC.



- $C_C$ : COMPENSATION CAPACITOR
- $C_{OUT}$ : OUTPUT CAPACITOR
- $C_{PL}$ : PHASE LEAD CAPACITOR
- $g_{ma}$ : TRANSCONDUCTANCE AMPLIFIER INSIDE IC
- $g_{mp}$ : POWER STAGE TRANSCONDUCTANCE AMPLIFIER
- $R_C$ : COMPENSATION RESISTOR
- $R_L$ : OUTPUT RESISTANCE DEFINED AS  $V_{OUT}$  DIVIDED BY  $I_{LOAD(MAX)}$
- $R_0$ : OUTPUT RESISTANCE OF  $g_{ma}$
- $R_1, R_2$ : FEEDBACK RESISTOR DIVIDER NETWORK
- $R_{ESR}$ : OUTPUT CAPACITOR ESR

Figure 6. Boost Converter Equivalent Model

From Figure 6, the DC gain, poles and zeroes can be calculated as follows:

$$\text{Output Pole: } P1 = \frac{2}{2 \cdot \pi \cdot R_L \cdot C_{OUT}}$$

$$\text{Error Amp Pole: } P2 = \frac{1}{2 \cdot \pi \cdot R_0 \cdot C_C}$$

$$\text{Error Amp Zero: } Z1 = \frac{1}{2 \cdot \pi \cdot R_C \cdot C_C}$$

$$\text{DC GAIN: } A = \frac{1.255}{V_{OUT}^2} \cdot V_{IN} \cdot g_{ma} \cdot R_0 \cdot g_{mp} \cdot R_L \cdot \frac{1}{2}$$

$$\text{ESR Zero: } Z2 = \frac{1}{2 \cdot \pi \cdot R_{ESR} \cdot C_{OUT}}$$

$$\text{RHP Zero: } Z3 = \frac{V_{IN}^2 \cdot R_L}{2 \cdot \pi \cdot V_{OUT}^2 \cdot L}$$

$$\text{High Frequency Pole: } P3 > \frac{f_S}{3}$$

$$\text{Phase Lead Zero: } Z4 = \frac{1}{2 \cdot \pi \cdot R_1 \cdot C_{PL}}$$

$$\text{Phase Lead Pole: } P4 = \frac{1}{2 \cdot \pi \cdot C_{PL} \cdot \frac{R_1 \cdot R_2}{R_1 + R_2}}$$

The current mode zero is a right-half plane zero which can be an issue in feedback control design, but is manageable with proper external component selection.

## APPLICATIONS INFORMATION

Using the circuit of Figure 2 as an example, the following table shows the parameters used to generate the Bode plot shown in Figure 7.

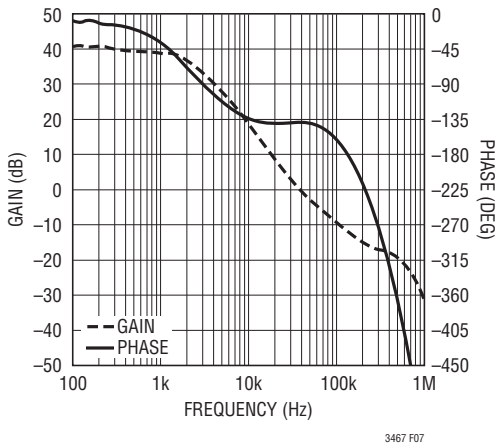


Figure 7. Bode Plot of 3.3V to 5V Application

Table 3. Bode Plot Parameters

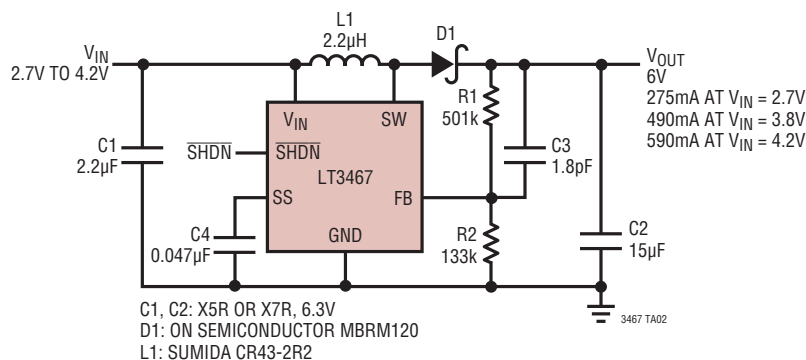
| PARAMETER | VALUE | UNITS      | COMMENT              |
|-----------|-------|------------|----------------------|
| $R_L$     | 10.4  | $\Omega$   | Application Specific |
| $C_{OUT}$ | 15    | $\mu F$    | Application Specific |
| $R_{ESR}$ | 10    | m $\Omega$ | Application Specific |
| $R_O$     | 0.4   | M $\Omega$ | Not Adjustable       |
| $C_C$     | 60    | pF         | Not Adjustable       |
| $C_{PL}$  | 3.3   | pF         | Adjustable           |
| $R_C$     | 100   | k $\Omega$ | Not Adjustable       |
| R1        | 402   | k $\Omega$ | Adjustable           |
| R2        | 133   | k $\Omega$ | Adjustable           |
| $V_{OUT}$ | 5     | V          | Application Specific |
| $V_{IN}$  | 3.3   | V          | Application Specific |
| $g_{ma}$  | 35    | $\mu mho$  | Not Adjustable       |
| $g_{mp}$  | 7.5   | mho        | Not Adjustable       |
| L         | 2.7   | $\mu H$    | Application Specific |
| $f_S$     | 1.3*  | MHz        | Not Adjustable       |

\*2.1MHz for LT3467A

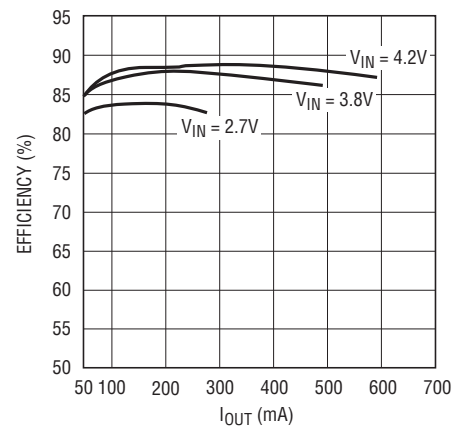
From Figure 7, the phase is  $-138^\circ$  when the gain reaches 0dB giving a phase margin of  $42^\circ$ . This is more than adequate. The crossover frequency is 37kHz.

## TYPICAL APPLICATIONS

### Lithium-Ion to 6V Step-Up DC/DC Converter



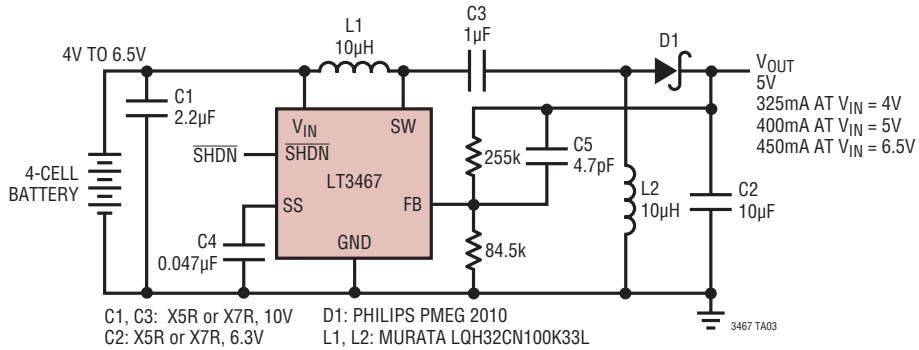
### Li-Ion to 6V



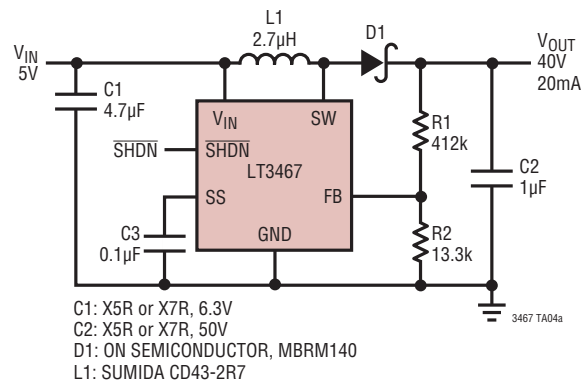
3467 TA02b

## TYPICAL APPLICATIONS

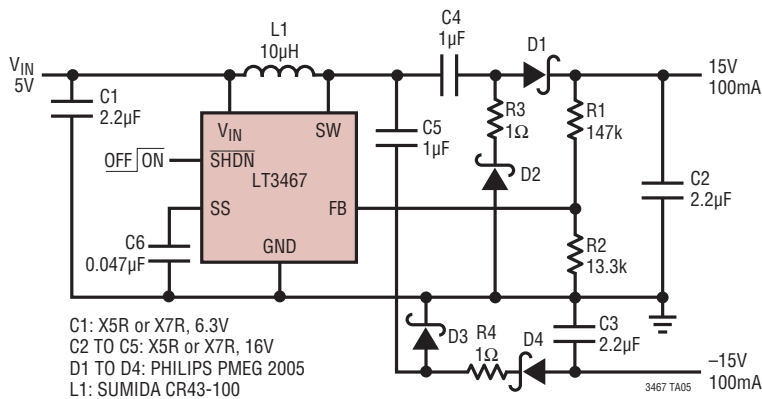
### 4-Cell to 5V SEPIC Converter



### 5V to 40V Boost Converter

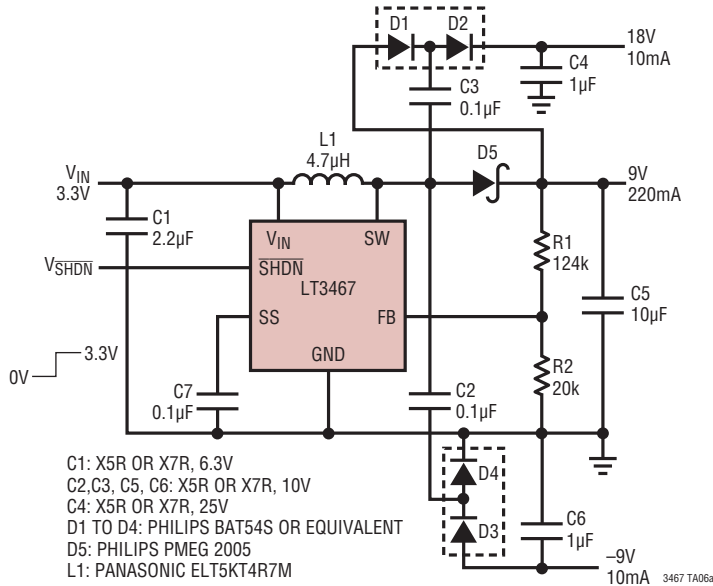


### ±15V Dual Output Converter with Output Disconnect

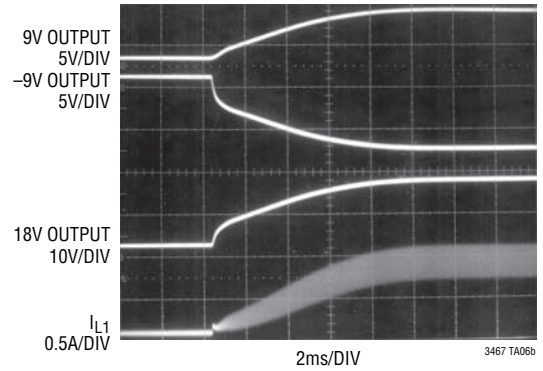


# TYPICAL APPLICATIONS

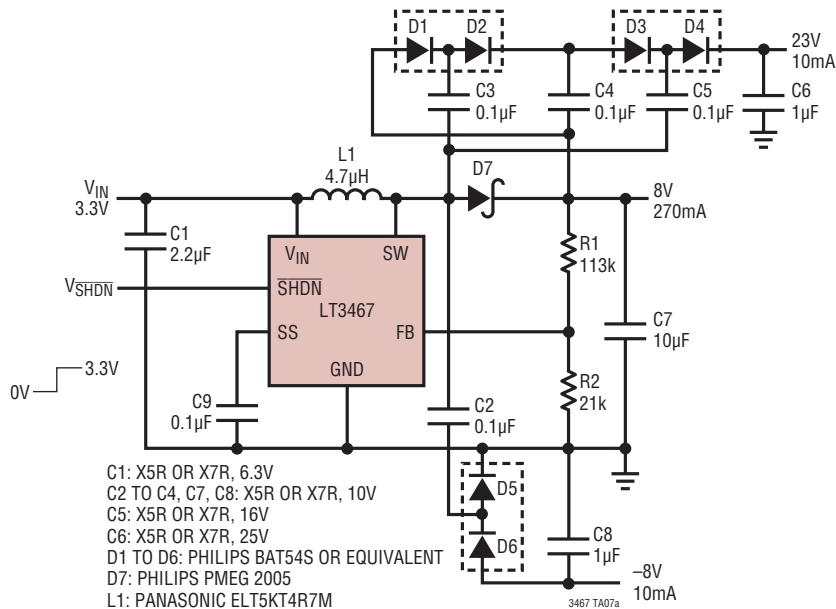
## 9V, 18V, -9V Triple Output TFT-LCD Bias Supply with Soft-Start



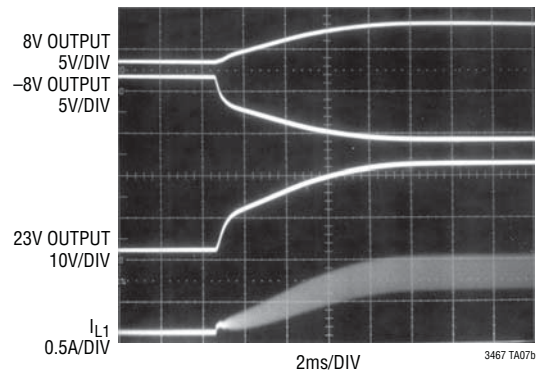
Start-Up Waveforms



## 8V, 23V, -8V Triple Output TFT-LCD Bias Supply with Soft-Start



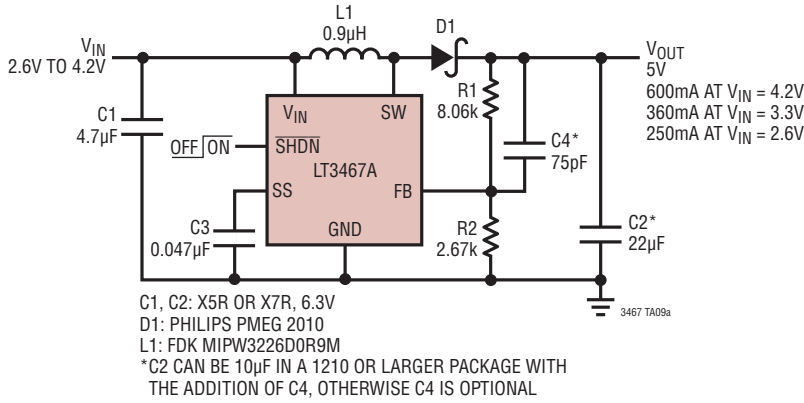
Start-Up Waveforms



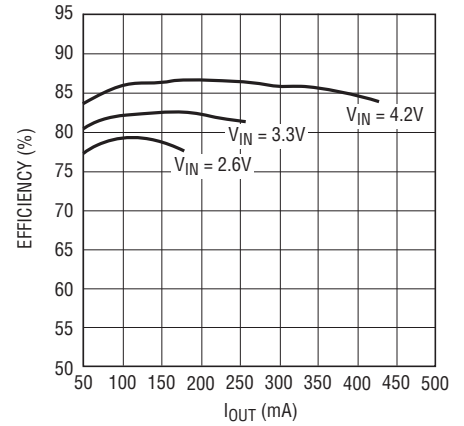
# LT3467/LT3467A

## TYPICAL APPLICATIONS

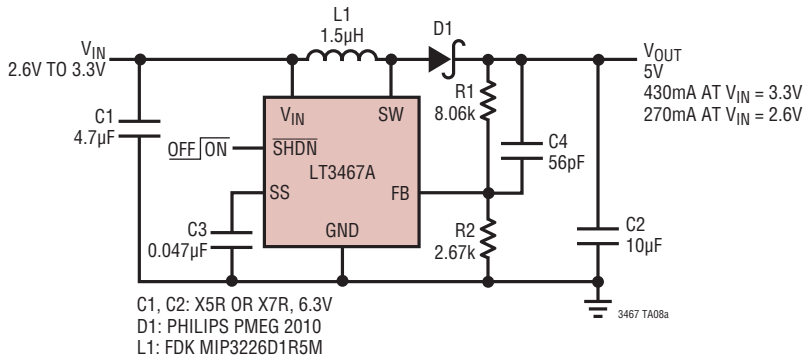
### Single Li-Ion Cell to 5V Boost Converter



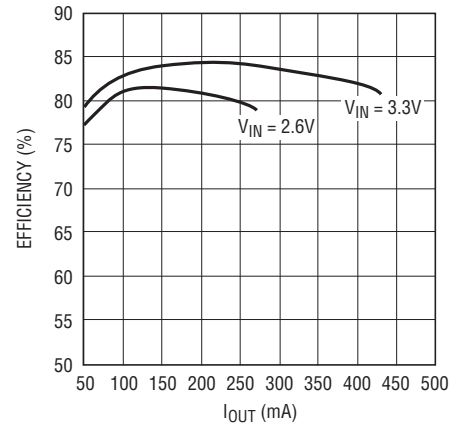
### Efficiency



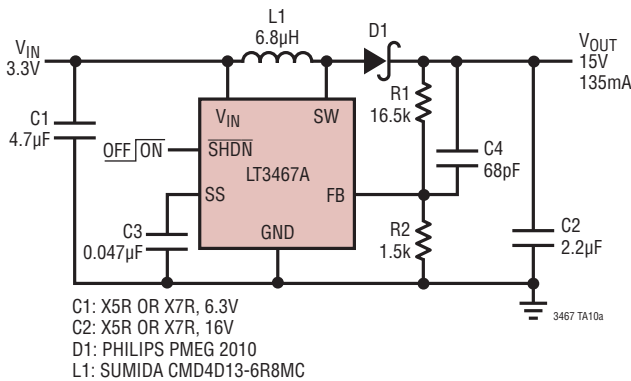
### 2.6V-3.3V to 5V Boost Converter



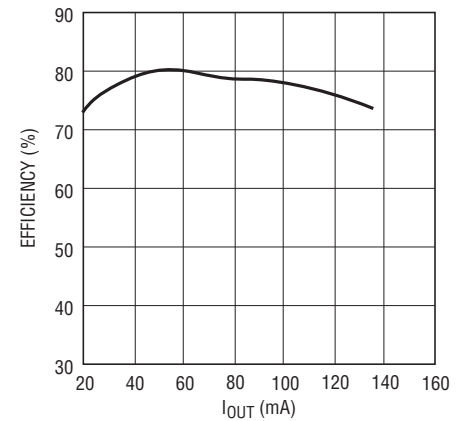
### Efficiency



### 3.3V to 15V, 135mA Step-Up Converter

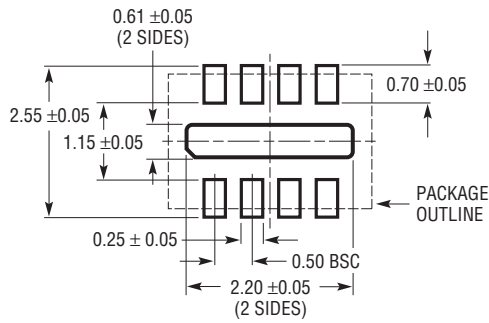


### Efficiency

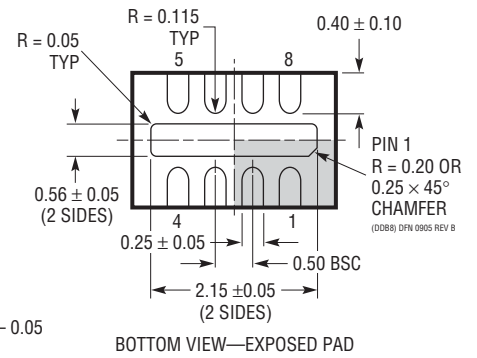
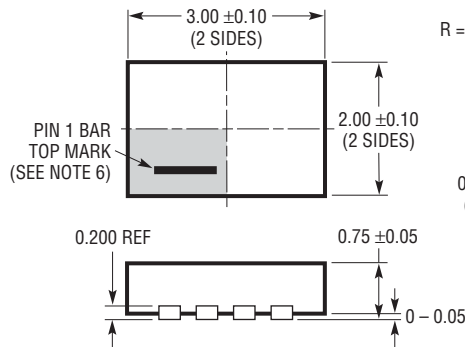


# PACKAGE DESCRIPTION

## DDB Package 8-Lead Plastic DFN (3mm × 2mm) (Reference LTC DWG # 05-08-1702 Rev B)



RECOMMENDED SOLDER PAD PITCH AND DIMENSIONS



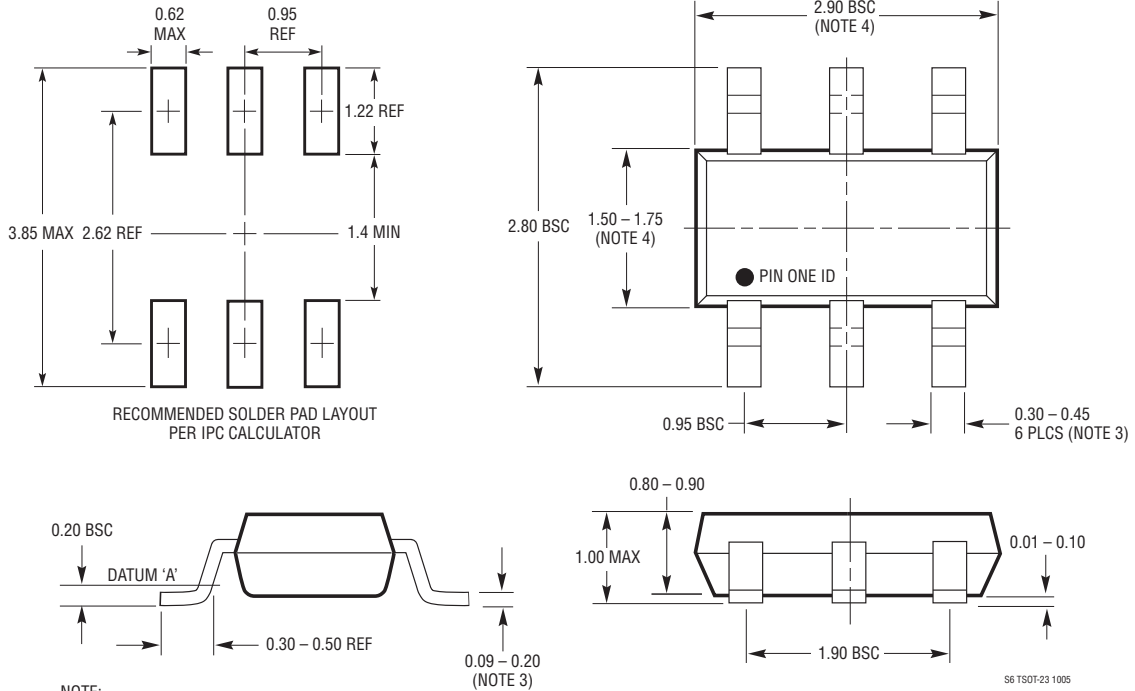
BOTTOM VIEW—EXPOSED PAD

NOTE:

1. DRAWING CONFORMS TO VERSION (WECD-1) IN JEDEC PACKAGE OUTLINE M0-229
2. DRAWING NOT TO SCALE
3. ALL DIMENSIONS ARE IN MILLIMETERS
4. DIMENSIONS OF EXPOSED PAD ON BOTTOM OF PACKAGE DO NOT INCLUDE MOLD FLASH. MOLD FLASH, IF PRESENT, SHALL NOT EXCEED 0.15mm ON ANY SIDE
5. EXPOSED PAD SHALL BE SOLDER PLATED
6. SHADED AREA IS ONLY A REFERENCE FOR PIN 1 LOCATION ON THE TOP AND BOTTOM OF PACKAGE

## PACKAGE DESCRIPTION

**S6 Package**  
**6-Lead Plastic TSOT-23**  
 (Reference LTC DWG # 05-08-1636)



- NOTE:
1. DIMENSIONS ARE IN MILLIMETERS
  2. DRAWING NOT TO SCALE
  3. DIMENSIONS ARE INCLUSIVE OF PLATING
  4. DIMENSIONS ARE EXCLUSIVE OF MOLD FLASH AND METAL BURR
  5. MOLD FLASH SHALL NOT EXCEED 0.254mm
  6. JEDEC PACKAGE REFERENCE IS MO-193

S6 TSOT-23 1005

**REVISION HISTORY** (Revision history begins at Rev E)

| REV | DATE  | DESCRIPTION   | PAGE NUMBER |
|-----|-------|---|-------------|
| E   | 04/10 | Updated Note 2 in Absolute Maximum Ratings and Electrical Characteristics | 2, 3        |



# LT3467/LT3467A

## TYPICAL APPLICATIONS

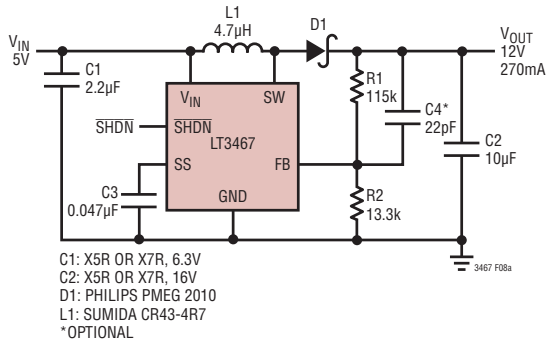


Figure 8. 5V to 12V, 270mA Step-Up Converter

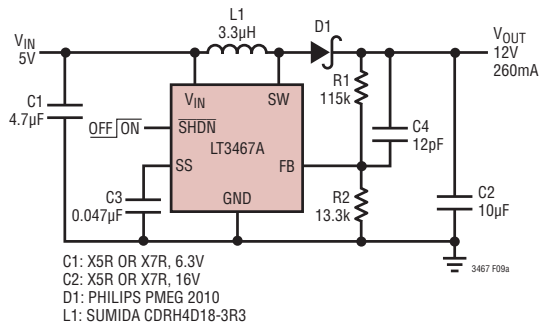
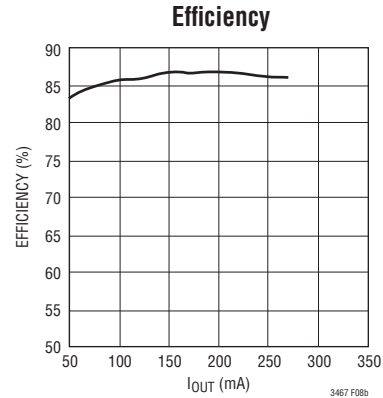
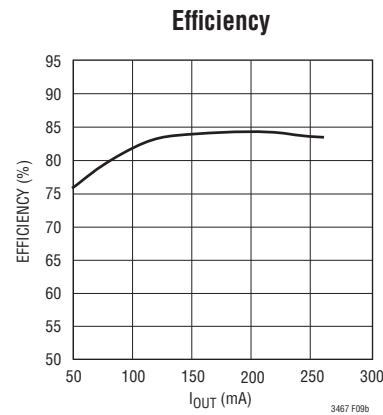


Figure 9. 5V to 12V, 260mA Step-Up Converter



## RELATED PARTS

| PART NUMBER      | DESCRIPTION  | COMMENTS  |
|------------------|--|---|
| LT1615/LT1615-1  | 300mA/80mA ( $I_{SW}$ ), High Efficiency Step-Up DC/DC Converter                                       | $V_{IN}$ : 1V to 15V, $V_{OUT(MAX)}$ = 34V, $I_Q$ = 20µA, $I_{SD}$ < 1µA, ThinSOT Package                           |
| LT1618           | 1.5A ( $I_{SW}$ ), 1.25MHz, High Efficiency Step-Up DC/DC Converter                                    | 90% Efficiency, $V_{IN}$ : 1.6V to 18V, $V_{OUT(MAX)}$ = 35V, $I_Q$ = 1.8mA, $I_{SD}$ < 1µA, MS Package             |
| LTC1700          | No $R_{SENSE}^{TM}$ , 530kHz, Synchronous Step-Up DC/DC Controller                                     | 95% Efficiency, $V_{IN}$ : 0.9V to 5V, $I^Q$ = 200µA, $I_{SD}$ < 10µA, MS Package                                   |
| LTC1871          | Wide Input Range, 1MHz, No $R_{SENSE}$ Current Mode Boost, Flyback and SEPIC Controller                | 92% Efficiency, $V_{IN}$ : 2.5V to 36V, $I_Q$ = 250µA, $I_{SD}$ < 10µA, MS Package                                  |
| LT1930/LT1930A   | 1A ( $I_{SW}$ ), 1.2MHz/2.2MHz, High Efficiency Step-Up DC/DC Converter                                | High Efficiency, $V_{IN}$ : 2.6V to 16V, $V_{OUT(MAX)}$ = 34V, $I_Q$ = 4.2mA/5.5mA, $I_{SD}$ < 1µA, ThinSOT Package |
| LT1946/LT1946A   | 1.5A ( $I_{SW}$ ), 1.2MHz/2.7MHz, High Efficiency Step-Up DC/DC Converter with Soft-Start              | High Efficiency, $V_{IN}$ : 2.45V to 16V, $V_{OUT(MAX)}$ = 34V, $I_Q$ = 3.2mA, $I_{SD}$ < 1µA, MS8 Package          |
| LT1961           | 1.5A ( $I_{SW}$ ), 1.25MHz, High Efficiency Step-Up DC/DC Converter                                    | 90% Efficiency, $V_{IN}$ : 3V to 25V, $V_{OUT(MAX)}$ = 35V, $I_Q$ = 0.9mA, $I_{SD}$ < 6µA, MS8E Package             |
| LTC3400/LTC3400B | 600mA ( $I_{SW}$ ), 1.2MHz, Synchronous Step-Up DC/DC Converter  | 92% Efficiency, $V_{IN}$ : 0.85V to 5V, $V_{OUT(MAX)}$ = 5V, $I_Q$ = 19µA/300µA, $I_{SD}$ < 1µA, ThinSOT Package    |
| LTC3401          | 1A ( $I_{SW}$ ), 3MHz, Synchronous Step-Up DC/DC Converter   | 97% Efficiency, $V_{IN}$ : 0.5V to 5V, $V_{OUT(MAX)}$ = 5.5V, $I_Q$ = 38µA, $I_{SD}$ < 1µA, MS Package              |
| LTC3402          | 2A ( $I_{SW}$ ), 3MHz, Synchronous Step-Up DC/DC Converter   | 97% Efficiency, $V_{IN}$ : 0.5V to 5V, $V_{OUT(MAX)}$ = 5.5V, $I_Q$ = 38µA, $I_{SD}$ < 1µA, MS Package              |
| LT3464           | 85mA ( $I_{SW}$ ), High Efficiency Step-Up DC/DC Converter with Integrated Schottky and PNP Disconnect | $V_{IN}$ : 2.3V to 10V, $V_{OUT(MAX)}$ = 34V, $I_Q$ = 25µA, $I_{SD}$ < 1µA, ThinSOT Package                         |

No  $R_{SENSE}$  is a trademark of Linear Technology Corporation.

3467afe