

Specifications

AHE2805D

Absolute Maximum Ratings	
Input voltage	-0.5V to +50VDC
Soldering temperature	300°C for 10 seconds
Operating case temperature	-55°C to +125°C
Storage case temperature	-65°C to +135°C

Table I. Electrical Performance Characteristics

Test	Symbol	Conditions -55°C ≤ Tc ≤ +125°C Vin = 28 Vdc ±5%, CL = 0 Unless otherwise specified	Group A Subgroups	Device Types	Limits		Unit
					Min	Max	
Output voltage	V _{OUT}	I _{OUT} = 0	1	All	±4.95	±5.05	V
			2,3		±4.90	±5.10	
Output current ^{9,11}	I _{OUT}	V _{IN} = 17, 28, and 40 V dc	1,2,3	All	0.0	±625	mA
Output ripple voltage ^{8,9}	V _{RIP}	V _{IN} = 17, 28, and 40 V dc, B.W. = DC to 2MHz	1,2,3	All		60	mVp-p
Output power ^{4,9,11}	P _{OUT}	V _{IN} = 17,28, and 40 V dc	1,2,3	All	15		W
Line ⁹ Regulation ¹⁰	VR _{LINE}	V _{IN} = 17, 28, and 40 V dc, I _{OUT} = 0, ±313, and ±625mA	1	All		25	mV
			2,3			50	
Load Regulation ⁹	VR _{LOAD}	V _{IN} = 17, 28, and 40 V dc, I _{OUT} = 0, ±313, and ±625 mA	1,2,3	All		110	mV
Input current	I _{IN}	I _{OUT} = 0, inhibit (pin 2) tied to input return (pin 10)	1,2,3	All		18	mA
		I _{OUT} = 0, inhibit (pin 2) = open				40	
Input ripple current ⁸	I _{RIP}	I _{OUT} = ±625mA B.W. = DC to 2MHz	1,2,3	All		50	mAp-p
Efficiency	E _{FF}	I _{OUT} = ±625mA T _C = +25°C	1	All	80		%
Isolation	ISO	Input to output or any pin to case (except pin 8) at 500V dc Tc = +25°C	1	All	100		MΩ
Capacitive load ^{6,12}	C _L	No effect on dc performance, Tc = +25°C	4	All		200	μF
Power dissipation load fault	P _D	Overload, T _C = +25°C ³	1	All		6.0	W
		Short circuit, T _C = +25°C	1			6.0	
Switching frequency ⁹	F _S	I _{OUT} = ±625mA	4,5,6	01	225	275	KHz
				02	225	245	
				03	250	275	
Output response to step transient load changes ⁷	VO _{TLOAD}	50% load to/from 100% load	4	All	-300	+300	mVpk
			5,6		-450	+450	
		No load to/from 50% load	4	All	-500	+500	
			5,6		-750	+750	

For Notes to Specifications, refer to page 3

Table I. Electrical Performance Characteristics - continued

AHE2805D

Test	Symbol	Conditions -55° ≤ Tc ≤ +125°C Vin = 28 Vdc ±5%, CL= 0 unless otherwise specified	Group A Subgroups	Device Types	Limits		Unit
					Min	Max	
Recovery time step transient load changes ^{1,7}	TT _{LOAD}	50% load to/from 100% load	4	All		70	μs
			5,6			100	
		No load to 50% load	4,5,6	All		1500	ms
		50% load to no load	4,5,6	All		5.0	
Output response transient step line changes ^{5,12}	VO _{TLINE}	Input step 17 to 40V dc	4,5,6	All		1200	mVpk
		Input step 40 to 17V dc	4,5,6	All		-1500	
Recovery time transient step line changes ^{1,5,12}	TT _{LINE}	Input step 17 to 40V dc	4,5,6	All		4.0	ms
		Input step 40 to 17V dc	4,5,6	All		4.0	
Turn on overshoot ⁹	VT _{onOS}	I _{OUT} = 0 and ±625mA	4,5,6	All		600	mVpk
Turn on delay ^{2,9}	T _{onD}	I _{OUT} = 0 and ±625mA	4,5,6	All		10	ms
Load fault recovery ¹²	T _{rLF}		4,5,6	All		10	ms

Notes to Specifications

- 1 Recovery time is measured from the initiation of the transient to where V_{OUT} has returned to within ±0.1 % of V_{OUT} at 50 % load.
- 2 Turn on delay time measurement is for either a step application of power at the input or the removal of a ground signal from the inhibit pin (pin 2) while power is applied to the input.
- 3 An overload is that condition with a load in excess of the rated load but less than that necessary to trigger the short circuit protection and is the condition of maximum power dissipation.
- 4 Total power at both outputs. For operation at 16V dc input, derate output power by 33 %.
- 5 Input step transition time between 2.0μs and 10μs.
- 6 Capacitive load may be any value from 0 to the maximum limit without compromising dc performance. A capacitive load in excess of the maximum limit will not disturb loop stability but may interfere with the operation of the load fault detection circuitry, appearing as a short circuit during turn-on.
- 7 Load step transition time between 2.0μs and 10μs.
- 8 Bandwidth guaranteed by design. Tested for 20KHz to 2.0MHz.
- 9 Tested at each output.
- 10 When operating with unbalanced loads, at least 25 % of the load must be on the positive output to maintain regulation.
- 11 Parameter guaranteed by line and load regulation tests.
- 12 Parameter shall be tested as part of design characterization and after design or process changes. Thereafter parameters shall be guaranteed to the limits specified in Table I.

Specifications

AHE2812D

Absolute Maximum Ratings	
Input voltage	-0.5V to +50VDC
Soldering temperature	300°C for 10 seconds
Operating case temperature	-55°C to +125°C
Storage case temperature	-65°C to +135°C

Table II. Electrical Performance Characteristics

Test	Symbol	Conditions -55°C ≤ T _C ≤ +125°C V _{IN} = 28 Vdc ±5%, C _L = 0 Unless otherwise specified	Group A Subgroups	Device Types	Limits		Unit
					Min	Max	
Output voltage	V _{OUT}	I _{OUT} = 0	1	All	±11.88	±12.12	V
			2,3		±11.70	±12.24	
Output current ^{9,11}	I _{OUT}	V _{IN} = 17, 28, and 40 V dc	1,2,3	All	0.0	±625	mA
Output ripple voltage ^{8,9}	V _{RIP}	V _{IN} = 17, 28, and 40 V dc, B.W. = DC to 2MHz	1,2,3	All		60	mVp-p
Output power ^{4,9,11}	P _{OUT}	V _{IN} = 17,28, and 40 V dc	1,2,3	All	15		W
Line Regulation ^{9,10}	VR _{LINE}	V _{IN} = 17, 28, and 40 V dc, I _{out} = 0, ±313, and ±625mA	1	All		30	mV
			2,3		60		
Load Regulation ⁹	VR _{LOAD}	V _{IN} = 17, 28, and 40 V dc, I _{OUT} = 0, ±313, and ±625 mA	1,2,3	All		120	mV
Input current	I _{IN}	I _{OUT} = 0, inhibit (pin 2) tied to input return (pin 10)	1,2,3	All		18	mA
		I _{OUT} = 0, inhibit (pin 2) = open			40		
Input ripple current ⁸	I _{RIP}	I _{OUT} = ±625mA B.W. = DC to 2MHz	1,2,3	All		50	mA p-p
Efficiency	E _{EFF}	I _{OUT} = ±625mA T _C = +25°C	1	All	80		%
Isolation	ISO	Input to output or any pin to case (except pin 8) at 500V dc T _C = +25°C	1	All	100		MΩ
Capacitive load ^{6,12}	C _L	No effect on dc performance, T _C = +25°C	4	All		200	μF
Power dissipation load fault	P _D	Overload, T _C = +25°C ³	1	All		6.0	W
		Short circuit, T _C = +25°C	1		6.0		
Switching frequency ⁹	F _S	I _{OUT} = ±625mA	4,5,6	01	225	275	KHz
				02	225	245	
				03	250	275	
Output response to step transient load changes ⁷	VO _{TLOAD}	50% load to/from 100% load	4	All	-300	+300	mVpk
			5,6		-450	+450	
		No load to/from 50% load	4	All	-500	+500	
			5,6		-750	+750	

Table II. Electrical Performance Characteristics - continued

AHE2812D

Test	Symbol	Conditions -55° ≤ Tc ≤ +125°C Vin = 28 Vdc ±5%, CL= 0 unless otherwise specified	Group A Subgroups	Device Types	Limits		Unit
					Min	Max	
Recovery time step transient load changes ^{1,7}	TT _{LOAD}	50% load to/from 100% load	4	All		70	μs
			5,6			100	
		No load to 50% load	4,5,6	All		1500	ms
		50% load to no load	4,5,6	All		5.0	
Output response transient step line changes ^{5,12}	VO _{TLINE}	Input step 17 to 40V dc	4,5,6	All		1200	mVpk
		Input step 40 to 17V dc	4,5,6	All		-1500	
Recovery time transient step line changes ^{1,5,12}	TT _{LINE}	Input step 17 to 40V dc	4,5,6	All		4.0	ms
		Input step 40 to 17V dc	4,5,6	All		4.0	
Turn on overshoot ⁹	V _{TonOS}	I _{OUT} = 0 and ±625mA	4,5,6	All		600	mVpk
Turn on delay ^{2,9}	T _{onD}	I _{OUT} = 0 and ±625mA	4,5,6	All		10	ms
Load fault recovery ¹²	T _{rLF}		4,5,6	All		10	ms

Notes to Specifications

- 1 Recovery time is measured from the initiation of the transient to where V_{OUT} has returned to within ±0.1% of V_{OUT} at 50 % load.
- 2 Turn on delay time measurement is for either a step application of power at the input or the removal of a ground signal from the inhibit pin (pin 2) while power is applied to the input.
- 3 An overload is that condition with a load in excess of the rated load but less than that necessary to trigger the short circuit protection and is the condition of maximum power dissipation.
- 4 Total power at both outputs. For operation at 16V dc input, derate output power by 33 %.
- 5 Input step transition time between 2.0μs and 10μs.
- 6 Capacitive load may be any value from 0 to the maximum limit without compromising dc performance. A capacitive load in excess of the maximum limit will not disturb loop stability but may interfere with the operation of the load fault detection circuitry, appearing as a short circuit during turn-on.
- 7 Load step transition time between 2.0μs and 10μs.
- 8 Bandwidth guaranteed by design. Tested for 20KHz to 2.0MHz.
- 9 Tested at each output.
- 10 When operating with unbalanced loads, at least 25 % of the load must be on the positive output to maintain regulation.
- 11 Parameter guaranteed by line and load regulation tests.
- 12 Parameter shall be tested as part of design characterization and after design or process changes. Thereafter parameters shall be guaranteed to the limits specified in Table II.

Specifications

AHE2815D

Absolute Maximum Ratings	
Input voltage	-0.5V to +50VDC
Soldering temperature	300°C for 10 seconds
Operating case temperature	-55°C to +125°C
Storage case temperature	-65°C to +135°C

Table III. Electrical Performance Characteristics

Test	Symbol	Conditions -55°C ≤ T _C ≤ +125°C V _{IN} = 28 Vdc ±5%, C _L = 0 Unless otherwise specified	Group A Subgroups	Device Types	Limits		Unit
					Min	Max	
Output voltage	V _{OUT}	I _{OUT} = 0	1	All	±14.85	±15.15	V
			2,3		±14.70	±15.30	
Output current ^{9, 11}	I _{OUT}	V _{IN} = 17, 28, and 40 V dc	1,2,3	All	0.0	±500	mA
Output ripple voltage ^{8, 9}	V _{RIP}	V _{IN} = 17, 28, and 40 V dc, B.W. = dc to 2 mHz	1,2,3	All		60	mVp-p
Output power ^{4, 9, 11}	P _{OUT}	V _{IN} = 17, 28, and 40 V dc	1,2,3	All	15		W
Line Regulation ^{9, 10}	VR _{LINE}	V _{IN} = 17, 28, and 40 V dc, I _{OUT} = 0, ±250, and ±500mA	1	All		35	mV
			2,3			75	
Load Regulation ⁹	VR _{LOAD}	V _{IN} = 17, 28, and 40 V dc, I _{OUT} = 0, ±250, and ±625 mA	1,2,3	All		150	mV
Input current	I _{IN}	I _{OUT} = 0, inhibit (pin 2) tied to input return (pin 10)	1,2,3	All		18	mA
		I _{OUT} = 0, inhibit (pin 2) = open				40	
Input ripple current ⁸	I _{RIP}	I _{OUT} = ±500mA B.W. = DC to 2MHz	1,2,3	All		50	mA _{p-p}
Efficiency	E _{FF}	I _{OUT} = ±500mA T _C = +25°C	1	All	80		%
Isolation	ISO	Input to output or any pin to case (except pin 8) at 500V dc T _C = +25°C	1	All	100		MΩ
Capacitive load ^{6, 12}	C _L	No effect on dc performance, T _C = +25°C	4	All		200	μF
Power dissipation load fault	P _D	Overload, T _C = +25°C ³	1	All		6.0	W
Switching frequency ⁹	F _S	I _{OUT} = ±500mA	4,5,6	01	225	275	KHz
				02	225	245	
				03	250	275	
Output response to step transient load changes ⁷	VO _{TLOAD}	50% load to/from 100% load	4	All	-300	+300	mVpk
			5,6		-450	+450	
		No load to/from 50% load	4	All	-500	+500	
			5,6		-750	+750	

Refer Notes to Specifications, refer to page 5

Table III. Electrical Performance Characteristics - continued

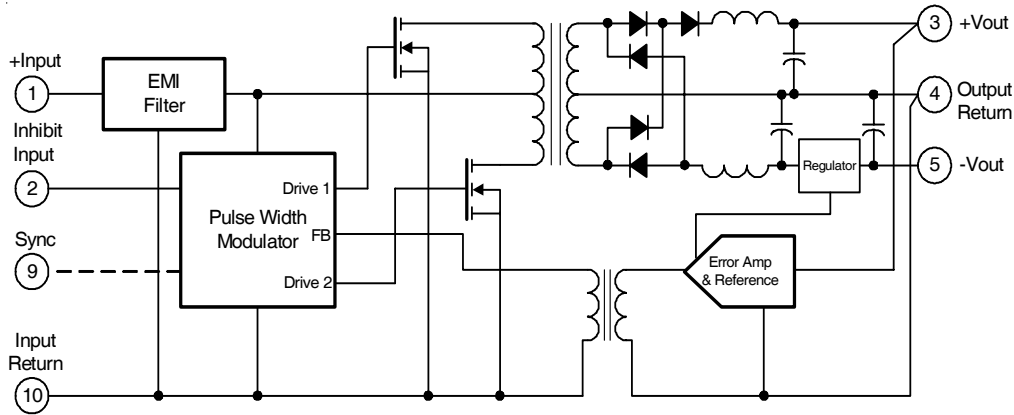
AHE2815D

Test	Symbol	Conditions -55°C ≤ T _c ≤ +125°C V _{in} = 28 Vdc ±5%, C _L = 0 unless otherwise specified	Group A Subgroups	Device Types	Limits		Unit
					Min	Max	
Recovery time step transient load changes ^{1, 7}	TT _{LOAD}	50% load to/from 100% load	4	All		70	μs
						100	
		No load to 50% load	4,5,6	All		1500	
		50% load to no load	4,5,6	All		5.0	ms
Output response transient step line changes ^{5, 12}	VO _{TLINE}	Input step 17 to 40V dc	4,5,6	All		1500	mV pk
		Input step 40 to 17V dc	4,5,6	All		-1500	
Recovery time transient step line changes ^{1, 5, 12}	TT _{LINE}	Input step 17 to 40V dc	4,5,6	All		4.0	ms
		Input step 40 to 17V dc	4,5,6	All		4.0	
Turn on overshoot ⁹	VT _{OnOS}	I _{OUT} = 0 and ±500mA	4,5,6	All		600	mV pk
Turn on delay ^{2,9}	Ton _D	I _{OUT} = 0 and ±500mA	4,5,6	All		10	ms
Load fault recovery ¹²	Tr _{LF}		4,5,6	All		10	ms

Notes to Specifications

- 1 Recovery time is measured from the initiation of the transient to where V_{OUT} has returned to within ±0.1 % of V_{OUT} at 50 % load.
- 2 Turn on delay time measurement is for either a step application of power at the input or the removal of a ground signal from the inhibit pin (pin 2) while power is applied to the input.
- 3 An overload is that condition with a load in excess of the rated load but less than that necessary to trigger the short circuit protection and is the condition of maximum power dissipation.
- 4 Total power at both outputs. For operation at 16Vdc input, derate output power by 33 %.
- 5 Input step transition time between 2.0μs and 10μs.
- 6 Capacitive load may be any value from 0 to the maximum limit without compromising dc performance. A capacitive load in excess of the maximum limit will not disturb loop stability but may interfere with the operation of the load fault detection circuitry, appearing as a short circuit during turn-on.
- 7 Load step transition time between 2.0μs and 10μs.
- 8 Bandwidth guaranteed by design. Tested for 20KHz to 2.0MHz.
- 9 Tested at each output.
- 10 When operating with unbalanced loads, at least 25 % of the load must be on the positive output to maintain regulation.
- 11 Parameter guaranteed by line and load regulation tests.
- 12 Parameter shall be tested as part of design characterization and after design or process changes. Thereafter parameters shall be guaranteed to the limits specified in Table III.

Block Diagram



Application Information

Inhibit Function

Connecting the inhibit input (Pin 2) to input common (Pin 10) will cause the converter to shut down. It is recommended that the inhibit pin be driven by an open collector device capable of sinking at least 400µA of current. The open circuit voltage of the inhibit input is 11.5 ± 1.0VDC.

EMI Filter

An optional EMI filter (AFC461) will reduce the input ripple current to levels below the limits imposed by MIL-STD-461 CEO3.

Device Synchronization

Whenever multiple DC/DC converters are utilized in a single system, significant low frequency noise may be generated due to slight difference in the switching frequencies of the converters (beat frequency noise). Because of the low frequency nature of this noise (typically less than 10KHz), it is difficult to filter out and may interfere with proper operation of sensitive systems (communications, radar or telemetry).

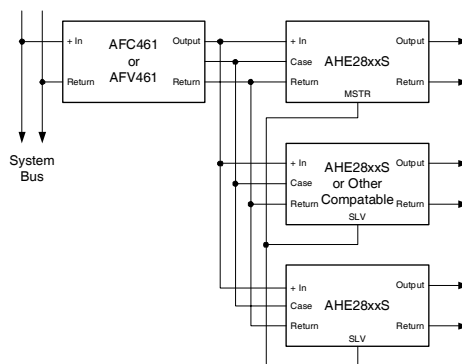
International Rectifier offers an option that provides synchronization of multiple AHE/ATW converters, thus eliminating this type of noise.

To take advantage of this capability, the system designer must assign one of the converters as the master. Then, by definition, the remaining converters become slaves and will operate at the masters' switching frequency.

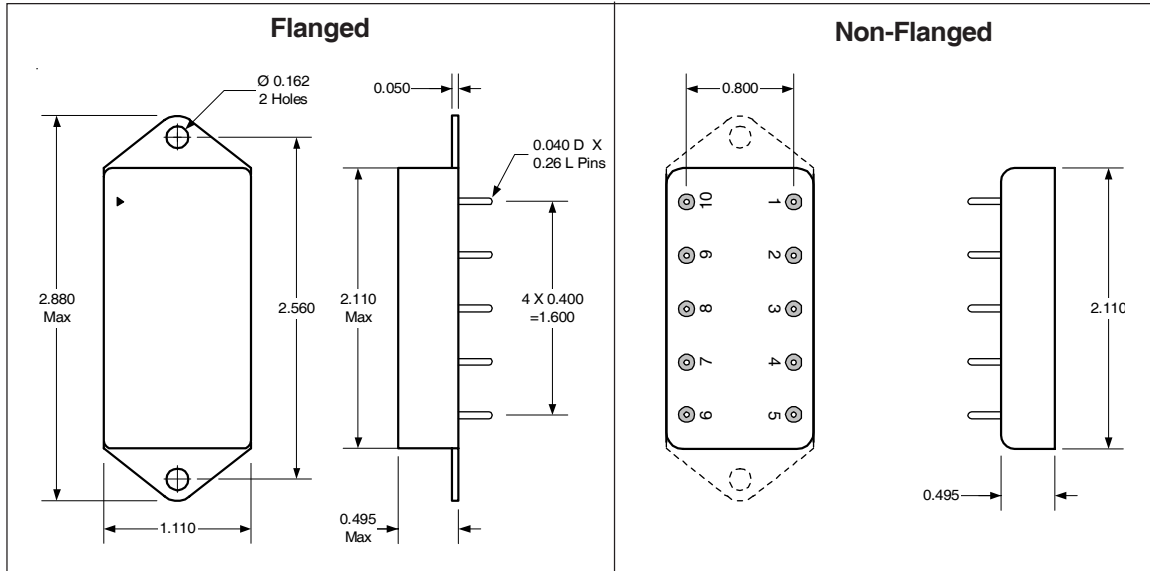
The user should be aware that the synchronization system is fail-safe; that is, the slaves will continue operating should the master frequency be interrupted for any reason. The layout must be such that the synchronization output (pin 9) of the master device is connected to the synchronization input (pin 9) of each slave device. It is advisable to keep this run short to minimize the possibility of radiating the 250KHz switching frequency.

The appropriate parts must be ordered to utilize this feature. After selecting the converters required for the system, a 'MSTR' suffix is added for the master converter part number and a 'SLV' suffix is added for slave part number.

Typical Synchronization Connection



Mechanical Outlines



Pin Designation

Pin #	Designation
1	+ Input
2	Inhibit Input
3	+ Output
4	Output Return
5	- Output
6	NC
7	NC
8	Case Ground
9	NC or Sync.
10	Input Return

Standard Microcircuit Drawing Equivalence Table

Standard Microcircuit Drawing Number	Vendor Cage Code	IR Standard Part Number
5962-92040	52467	AHE2812D
5962-91575	52467	AHE2815D

AHE28XXD Series

International
IR Rectifier

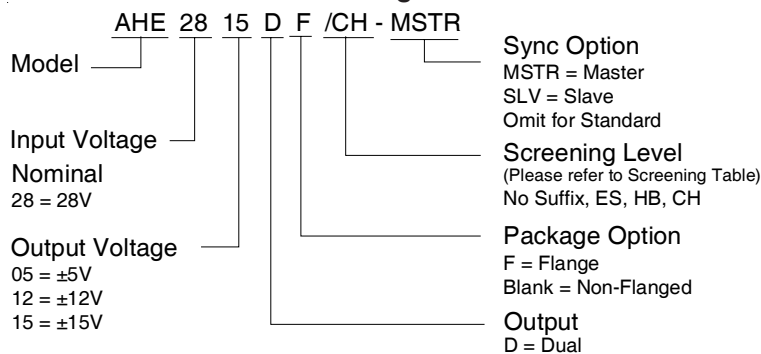
Device Screening

Requirement	MIL-STD-883 Method	No Suffix	ES ②	HB	CH
Temperature Range	—	-20°C to +85°C	-55°C to +125°C ③	-55°C to +125°C	-55°C to +125°C
Element Evaluation	MIL-PRF-38534	N/A	N/A	N/A	Class H
Non-Destructive Bond Pull	2023	N/A	N/A	N/A	N/A
Internal Visual	2017	①	Yes	Yes	Yes
Temperature Cycle	1010	N/A	Cond B	Cond C	Cond C
Constant Acceleration	2001, Y1 Axis	N/A	500 Gs	3000 Gs	3000 Gs
PIND	2020	N/A	N/A	N/A	N/A
Burn-In	1015	N/A	48 hrs@hi temp	160 hrs@125°C	160 hrs@125°C
Final Electrical (Group A)	MIL-PRF-38534 & Specification	25°C	25°C ②	-55°C, +25°C, +125°C	-55°C, +25°C, +125°C
PDA	MIL-PRF-38534	N/A	N/A	N/A	10%
Seal, Fine and Gross	1014	Cond A	Cond A, C	Cond A, C	Cond A, C
Radiographic	2012	N/A	N/A	N/A	N/A
External Visual	2009	①	Yes	Yes	Yes

Notes:

- ① Best commercial practice
- ② Sample tests at low and high temperatures
- ③ -55°C to +105°C for AHE, ATO, ATW

Part Numbering



International
IR Rectifier

WORLD HEADQUARTERS: 233 Kansas St., El Segundo, California 90245, Tel: (310) 252-7105

IR SANTA CLARA: 2270 Martin Av., Santa Clara, California 95050, Tel: (408) 727-0500

Visit us at www.irf.com for sales contact information.

Data and specifications subject to change without notice. 01/2007