

**Electrical Characteristics** @ $T_A = 25^\circ\text{C}$  unless otherwise specified

| Type Number | Marking Code | Zener Voltage Range (Note 5) |         |         |          | Maximum Zener Impedance (Note 6) |                   |          | Maximum Reverse Current (Note 5) |       | Temperature Coefficient of Zener Voltage @ $I_{ZT} = 5\text{mA}$ mV/°C |      |
|-------------|--------------|------------------------------|---------|---------|----------|----------------------------------|-------------------|----------|----------------------------------|-------|--|------|
|             |              | $V_Z @ I_{ZT}$               |         |         | $I_{ZT}$ | $Z_{ZT} @ I_{ZT}$                | $Z_{ZK} @ I_{ZK}$ | $I_{ZK}$ | $I_R$                            | $V_R$ | Min  | Max  |
|             |              | Nom (V)                      | Min (V) | Max (V) | mA       | $\Omega$                         | $\Omega$          | mA       | $\mu\text{A}$                    | V     |  |      |
| BZX84C2V4S  | KZB          | 2.4                          | 2.2     | 2.6     | 5.0      | 100                              | 600               | 1.0      | 50                               | 1.0   | -3.5   | 0    |
| BZX84C2V7S  | KZC          | 2.7                          | 2.5     | 2.9     | 5.0      | 100                              | 600               | 1.0      | 20                               | 1.0   | -3.5   | 0    |
| BZX84C3V0S  | KZD          | 3.0                          | 2.8     | 3.2     | 5.0      | 95                               | 600               | 1.0      | 10                               | 1.0   | -3.5   | 0    |
| BZX84C3V3S  | KZE          | 3.3                          | 3.1     | 3.5     | 5.0      | 95                               | 600               | 1.0      | 5.0                              | 1.0   | -3.5   | 0    |
| BZX84C3V6S  | KZF          | 3.6                          | 3.4     | 3.8     | 5.0      | 90                               | 600               | 1.0      | 5.0                              | 1.0   | -3.5   | 0    |
| BZX84C3V9S  | KZG          | 3.9                          | 3.7     | 4.1     | 5.0      | 90                               | 600               | 1.0      | 3.0                              | 1.0   | -3.5   | 0    |
| BZX84C4V3S  | KZH          | 4.3                          | 4.0     | 4.6     | 5.0      | 90                               | 600               | 1.0      | 3.0                              | 1.0   | -3.5   | 0    |
| BZX84C4V7S  | KZ1          | 4.7                          | 4.4     | 5.0     | 5.0      | 80                               | 500               | 1.0      | 3.0                              | 2.0   | -3.5   | 0.2  |
| BZX84C5V1S  | KZ2          | 5.1                          | 4.8     | 5.4     | 5.0      | 60                               | 480               | 1.0      | 2.0                              | 2.0   | -2.7   | 1.2  |
| BZX84C5V6S  | KZ3          | 5.6                          | 5.2     | 6.0     | 5.0      | 40                               | 400               | 1.0      | 1.0                              | 2.0   | -2.0   | -2.5 |
| BZX84C6V2S  | KZ4          | 6.2                          | 5.8     | 6.6     | 5.0      | 10                               | 150               | 1.0      | 3.0                              | 4.0   | 0.4  | 3.7  |
| BZX84C6V8S  | KZ5          | 6.8                          | 6.4     | 7.2     | 5.0      | 15                               | 80                | 1.0      | 2.0                              | 4.0   | 1.2  | 4.5  |
| BZX84C7V5S  | KZ6          | 7.5                          | 7.0     | 7.9     | 5.0      | 15                               | 80                | 1.0      | 1.0                              | 5.0   | 2.5  | 5.3  |
| BZX84C8V2S  | KZ7          | 8.2                          | 7.7     | 8.7     | 5.0      | 15                               | 80                | 1.0      | 0.7                              | 5.0   | 3.2  | 6.2  |
| BZX84C9V1S  | KZ8          | 9.1                          | 8.5     | 9.6     | 5.0      | 15                               | 100               | 1.0      | 0.5                              | 6.0   | 3.8  | 7.0  |
| BZX84C10S   | KZ9          | 10                           | 9.4     | 10.6    | 5.0      | 20                               | 150               | 1.0      | 0.2                              | 7.0   | 4.5  | 8.0  |
| BZX84C11S   | KY1          | 11                           | 10.4    | 11.6    | 5.0      | 20                               | 150               | 1.0      | 0.1                              | 8.0   | 5.4  | 9.0  |
| BZX84C12S   | KY2          | 12                           | 11.4    | 12.7    | 5.0      | 25                               | 150               | 1.0      | 0.1                              | 8.0   | 6.0  | 10.0 |
| BZX84C13S   | KY3          | 13                           | 12.4    | 14.1    | 5.0      | 30                               | 170               | 1.0      | 0.1                              | 8.0   | 7.0  | 11.0 |
| BZX84C15S   | KY4          | 15                           | 13.8    | 15.6    | 5.0      | 30                               | 200               | 1.0      | 0.1                              | 10.5  | 9.2  | 13.0 |
| BZX84C16S   | KY5          | 16                           | 15.3    | 17.1    | 5.0      | 40                               | 200               | 1.0      | 0.1                              | 11.2  | 10.4   | 14.0 |
| BZX84C18S   | KY6          | 18                           | 16.8    | 19.1    | 5.0      | 45                               | 225               | 1.0      | 0.1                              | 12.6  | 12.4   | 16.0 |
| BZX84C20S   | KY7          | 20                           | 18.8    | 21.2    | 5.0      | 55                               | 225               | 1.0      | 0.1                              | 14.0  | 14.4   | 18.0 |
| BZX84C22S   | KY8          | 22                           | 20.8    | 23.3    | 5.0      | 55                               | 250               | 1.0      | 0.1                              | 15.4  | 16.4   | 20.0 |
| BZX84C24S   | KY9          | 24                           | 22.8    | 25.6    | 5.0      | 70                               | 250               | 1.0      | 0.1                              | 16.8  | 18.4   | 22.0 |
| BZX84C27S   | KYA          | 27                           | 25.1    | 28.9    | 2.0      | 80                               | 300               | 0.5      | 0.1                              | 18.9  | 21.4   | 25.3 |
| BZX84C30S   | KYB          | 30                           | 28.0    | 32.0    | 2.0      | 80                               | 300               | 0.5      | 0.1                              | 21.0  | 24.4   | 29.4 |
| BZX84C33S   | KYC          | 33                           | 31.0    | 35.0    | 2.0      | 80                               | 325               | 0.5      | 0.1                              | 23.1  | 27.4   | 33.4 |
| BZX84C36S   | KYD          | 36                           | 34.0    | 38.0    | 2.0      | 90                               | 350               | 0.5      | 0.1                              | 25.2  | 30.4   | 37.4 |
| BZX84C39S   | KYE          | 39                           | 37.0    | 41.0    | 2.0      | 130                              | 350               | 0.5      | 0.1                              | 27.3  | 33.4   | 41.2 |

Notes: 5. Short duration pulse test used to minimize self-heating effect.  
6.  $f = 1\text{KHz}$ .

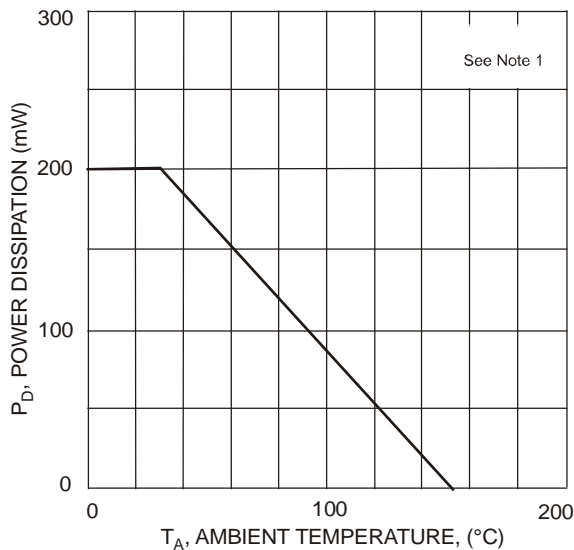


Fig. 1 Power Derating Curve

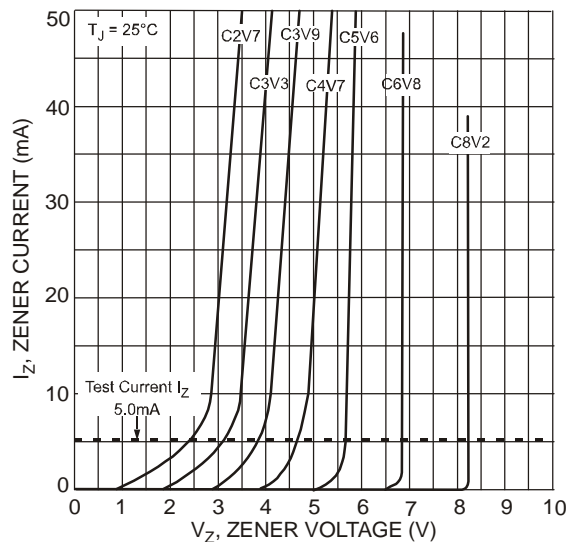


Fig. 2 Typical Zener Breakdown Characteristics

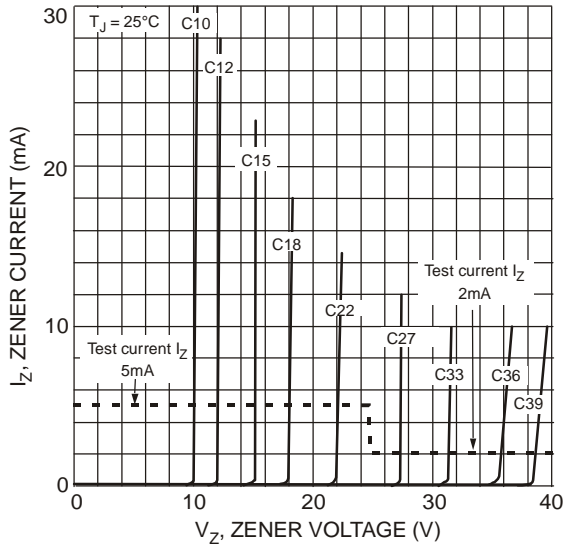


Fig. 3 Typical Zener Breakdown Characteristics

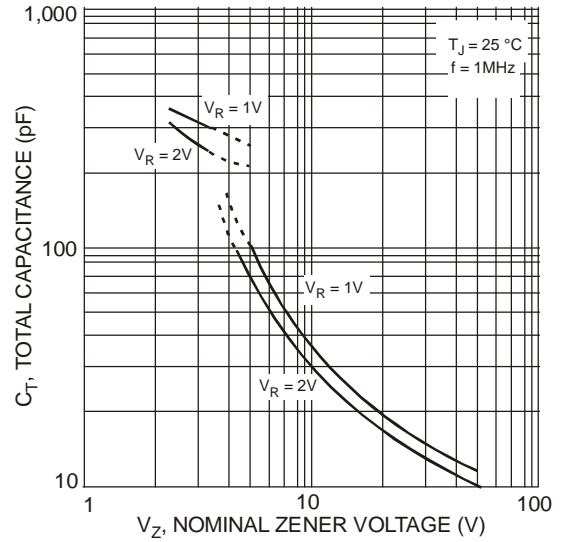


Fig. 4 Typical Total Capacitance vs. Nominal Zener Voltage

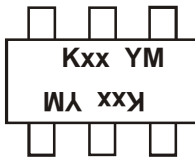
**Ordering Information** (Note 7)

| Part Number        | Case    | Packaging        |
|--------------------|---------|------------------|
| (Type Number)-7-F* | SOT-363 | 3000/Tape & Reel |

\*Add "-7-F" to the appropriate type number in Electrical Characteristics Table from Page 2 example: 6.2V Zener = BZX84C6V2S-7-F.

Notes: 7. For packaging details, go to our website at <http://www.diodes.com/datasheets/ap02007.pdf>.

**Marking Information**



Kxx = Product Type Marking Code  
(See Electrical Characteristics Table)  
YM = Date Code Marking  
Y = Year (ex: N = 2002)  
M = Month (ex: 9 = September)

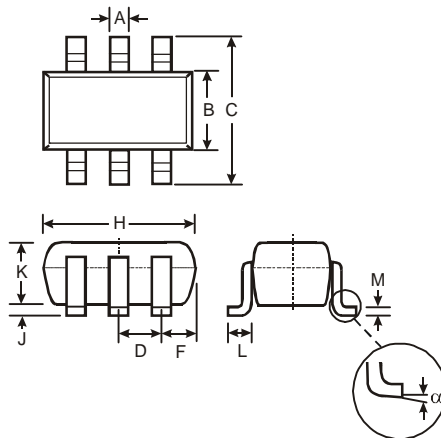
Date Code Key

| Year | 2002 | 2003 | 2004 | 2005 | 2006 | 2007 | 2008 | 2009 | 2010 | 2111 | 2012 |
|------|------|------|------|------|------|------|------|------|------|------|------|
| Code | N    | P    | R    | S    | T    | U    | V    | W    | X    | Y    | Z    |

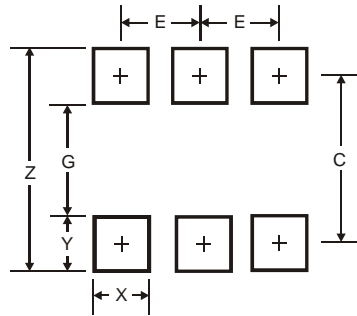
| Month | Jan | Feb | Mar | Apr | May | Jun | Jul | Aug | Sep | Oct | Nov | Dec |
|-------|-----|-----|-----|-----|-----|-----|-----|-----|-----|-----|-----|-----|
| Code  | 1   | 2   | 3   | 4   | 5   | 6   | 7   | 8   | 9   | O   | N   | D   |

**Package Outline Dimensions**



| SOT-363              |              |      |
|----------------------|--------------|------|
| Dim                  | Min          | Max  |
| A                    | 0.10         | 0.30 |
| B                    | 1.15         | 1.35 |
| C                    | 2.00         | 2.20 |
| D                    | 0.65 Nominal |      |
| F                    | 0.30         | 0.40 |
| H                    | 1.80         | 2.20 |
| J                    | —            | 0.10 |
| K                    | 0.90         | 1.00 |
| L                    | 0.25         | 0.40 |
| M                    | 0.10         | 0.25 |
| α                    | 0°           | 8°   |
| All Dimensions in mm |              |      |

## Suggested Pad Layout



| Dimensions | Value (in mm) |
|------------|---------------|
| Z          | 2.5           |
| G          | 1.3           |
| X          | 0.42          |
| Y          | 0.6           |
| C          | 1.9           |
| E          | 0.65          |

### IMPORTANT NOTICE

Diodes Incorporated and its subsidiaries reserve the right to make modifications, enhancements, improvements, corrections or other changes without further notice to any product herein. Diodes Incorporated does not assume any liability arising out of the application or use of any product described herein; neither does it convey any license under its patent rights, nor the rights of others. The user of products in such applications shall assume all risks of such use and will agree to hold Diodes Incorporated and all the companies whose products are represented on our website, harmless against all damages.

### LIFE SUPPORT

Diodes Incorporated products are not authorized for use as critical components in life support devices or systems without the expressed written approval of the President of Diodes Incorporated.