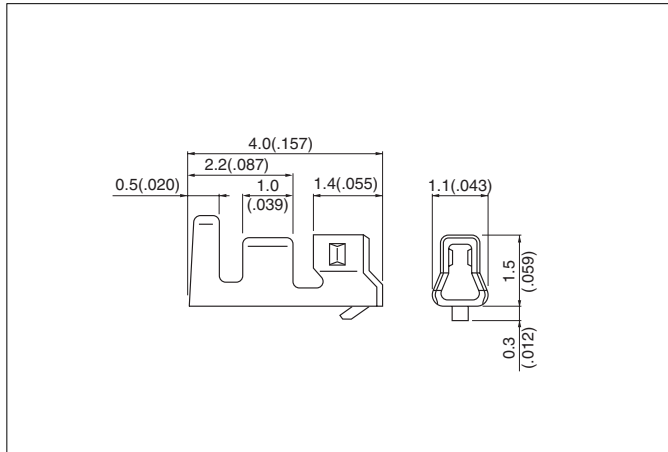


Contact

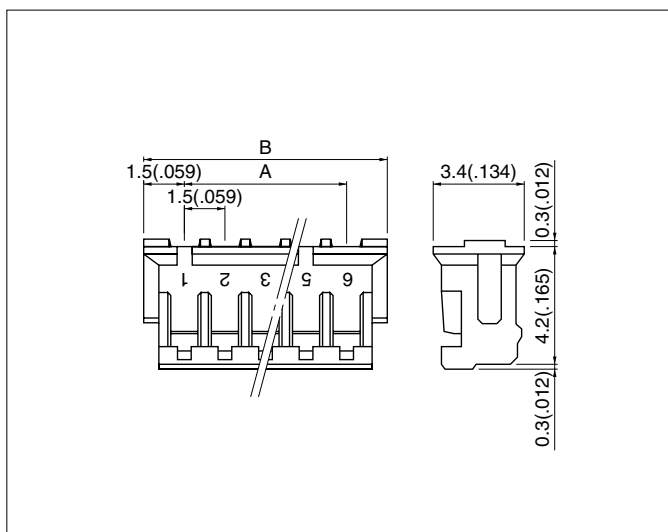


Model No.	Applicable wire			Q'ty / reel
	mm ²	AWG #	Insulation O.D. mm(in.)	
SZH-002T-P0.5	0.08 to 0.13	28 to 26	0.8 to 1.1(.031 to .043)	13,000
SZH-003T-P0.5	0.032 to 0.08	32 to 28	0.5 to 0.9(.020 to .035)	16,000

Material and Finish

Phosphor bronze, tin-plated

Housing



Circuits	Model No.	Dimensions mm(in.)		Q'ty / bag
		A	B	
2	ZHR- 2	1.5(.059)	4.5(.177)	1,000
3	ZHR- 3	3.0(.118)	6.0(.236)	1,000
4	ZHR- 4	4.5(.177)	7.5(.295)	1,000
5	ZHR- 5	6.0(.236)	9.0(.354)	1,000
6	ZHR- 6	7.5(.295)	10.5(.413)	1,000
6	ZHR- 6(3.0)	15.0(.591)	18.0(.709)	1,000
7	ZHR- 7	9.0(.354)	12.0(.472)	1,000
8	ZHR- 8	10.5(.413)	13.5(.531)	1,000
9	ZHR- 9	12.0(.472)	15.0(.591)	1,000
10	ZHR-10	13.5(.531)	16.5(.650)	1,000
11	ZHR-11	15.0(.591)	18.0(.709)	1,000
12	ZHR-12	16.5(.650)	19.5(.768)	1,000
13	ZHR-13	18.0(.709)	21.0(.827)	1,000

Material

Nylon 66, UL94V-0, natural (white)

Note:

1. ZHR-6(3.0) is 6 circuits 3.0mm (.118") pitch plugged up.

As for this housing, only circuit No.1 is marked.

2. ZHR-6 (3.0) is not UL/CSA approved.

<For reference> As the color identification,

the following alphabet shall be put in the underlined part.

For availability, delivery and minimum order quantity, contact JST.

ex. **ZHR-2-oo**

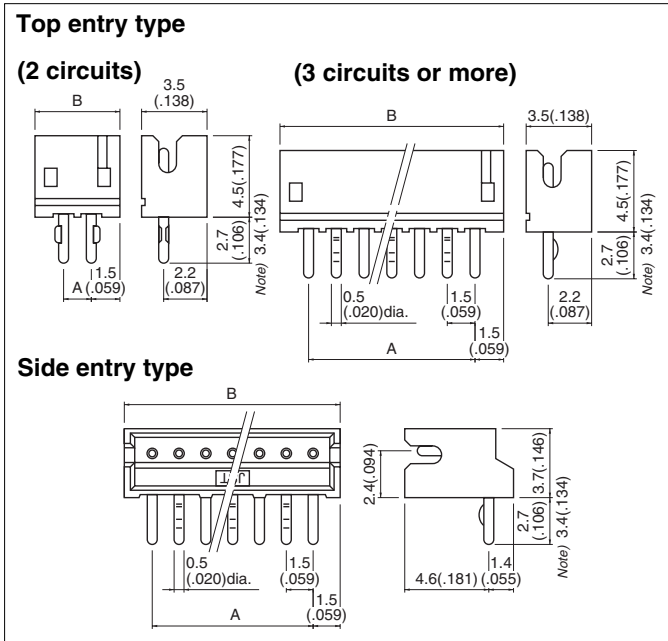
(blank)...natural (white)

K...black R...red E...blue M...green

ZH CONNECTOR

Through-hole type shrouded header

The shrouded headers are interchangeable with those of the ZR insulation displacement connectors.



Circuits	Model No.				Dimensions mm(in.)		Q'ty / box	
	Top entry type	Side entry type	Note) Top entry type	Note) Side entry type	A	B	Top entry type	Side entry type
2	B 2B-ZR	S 2B-ZR	B 2B-ZR-3.4	S 2B-ZR-3.4	1.5(.059)	4.5(.177)	2,000	2,000
3	B 3B-ZR	S 3B-ZR	B 3B-ZR-3.4	S 3B-ZR-3.4	3.0(.118)	6.0(.236)	2,000	2,000
4	B 4B-ZR	S 4B-ZR	B 4B-ZR-3.4	S 4B-ZR-3.4	4.5(.177)	7.5(.295)	2,000	2,000
5	B 5B-ZR	S 5B-ZR	B 5B-ZR-3.4	S 5B-ZR-3.4	6.0(.236)	9.0(.354)	2,000	1,000
6	B 6B-ZR	S 6B-ZR	B 6B-ZR-3.4	S 6B-ZR-3.4	7.5(.295)	10.5(.413)	2,000	1,000
7	B 7B-ZR	S 7B-ZR	B 7B-ZR-3.4	S 7B-ZR-3.4	9.0(.354)	12.0(.472)	1,000	1,000
8	B 8B-ZR	S 8B-ZR	B 8B-ZR-3.4	S 8B-ZR-3.4	10.5(.413)	13.5(.531)	1,000	1,000
9	B 9B-ZR	S 9B-ZR	B 9B-ZR-3.4	S 9B-ZR-3.4	12.0(.472)	15.0(.591)	1,000	1,000
10	B 10B-ZR	S 10B-ZR	B 10B-ZR-3.4	S 10B-ZR-3.4	13.5(.531)	16.5(.650)	1,000	1,000
11	B 11B-ZR	S 11B-ZR	B 11B-ZR-3.4	S 11B-ZR-3.4	15.0(.591)	18.0(.709)	1,000	500
12	B 12B-ZR	S 12B-ZR	B 12B-ZR-3.4	S 12B-ZR-3.4	16.5(.650)	19.5(.768)	1,000	500
13	B 13B-ZR	S 13B-ZR	B 13B-ZR-3.4	S 13B-ZR-3.4	18.0(.709)	21.0(.827)	500	500

Material and Finish

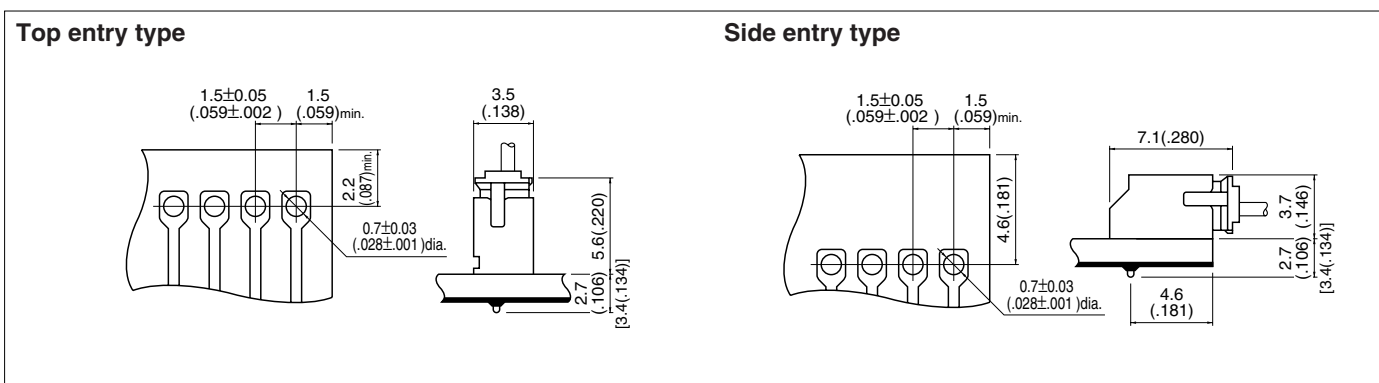
Pin: Brass, copper-undercoated, tin/lead-plated
 Wafer: Glass-filled nylon 66, UL94V-0, natural (ivory)

Note: Headers with 3.4mm(.134") long solder tails, suited for the 1.6mm(.063") thick PC board.

<For reference> As the color identification, the following alphabet shall be put in the underlined part. For availability, delivery and minimum order quantity, contact JST.

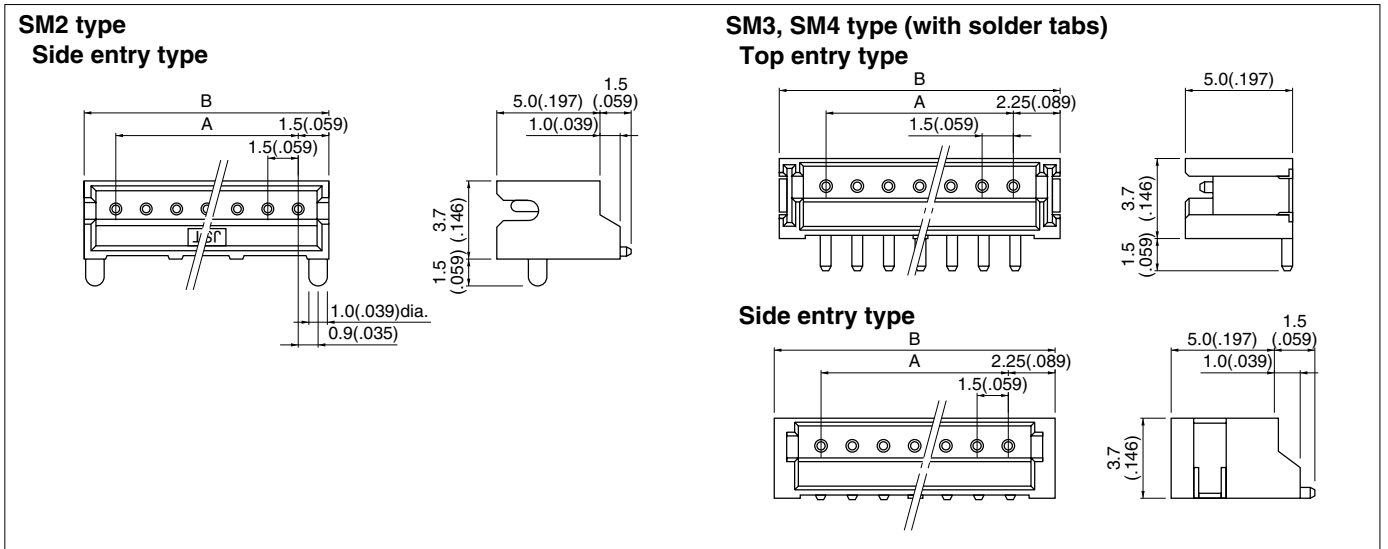
ex. **B2B-ZR-3.4-oo**
 (blank)...natural (ivory)
 K...black R...red E...blue M...green

Through-hole type PC board layout (viewed from soldering side) and Assembly layout



Note:
 1. Tolerances are non-cumulative: ±0.05mm (±.002") for all centers.
 2. Hole dimension differ according to the kind of PC board and piercing method.
 If PC boards made of hard material are used, the hole dimensions should be larger.
 The dimensions above should serve as a guideline. Contact JST for details.

SMT type shrouded header



Cir- cuits	SM2 type				SM3 type					
	Model No.	Dimensions mm(in.)		Q'ty / reel	Model No.		Dimensions mm(in.)		Q'ty / reel	
	Side entry type	A	B		Top entry type	Side entry type	A	B	Top entry type	Side entry type
2	S 2B-ZR-SM2-TF	1.5(.059)	4.5(.177)	1,000	B 2B-ZR-SM3-TF	S 2B-ZR-SM3A-TF	1.5(.059)	6.0(.236)	1,000	1,000
3	S 3B-ZR-SM2-TF	3.0(.118)	6.0(.236)	1,000	B 3B-ZR-SM3-TF	S 3B-ZR-SM3A-TF	3.0(.118)	7.5(.295)	1,000	1,000
4	S 4B-ZR-SM2-TF	4.5(.177)	7.5(.295)	1,000	B 4B-ZR-SM3-TF	S 4B-ZR-SM3A-TF	4.5(.177)	9.0(.354)	1,000	1,000
5	S 5B-ZR-SM2-TF	6.0(.236)	9.0(.354)	1,000	B 5B-ZR-SM3-TF	S 5B-ZR-SM3A-TF	6.0(.236)	10.5(.413)	1,000	1,000
6	S 6B-ZR-SM2-TF	7.5(.295)	10.5(.413)	1,000	B 6B-ZR-SM3-TF	S 6B-ZR-SM3A-TF	7.5(.295)	12.0(.472)	1,000	1,000
7	S 7B-ZR-SM2-TF	9.0(.354)	12.0(.472)	1,000	B 7B-ZR-SM3-TF	S 7B-ZR-SM3A-TF	9.0(.354)	13.5(.531)	1,000	1,000
8	S 8B-ZR-SM2-TF	10.5(.413)	13.5(.531)	1,000	B 8B-ZR-SM3-TF	S 8B-ZR-SM3A-TF	10.5(.413)	15.0(.591)	1,000	1,000
9	S 9B-ZR-SM2-TF	12.0(.472)	15.0(.591)	1,000	B 9B-ZR-SM3-TF	S 9B-ZR-SM3A-TF	12.0(.472)	16.5(.650)	1,000	1,000
10	S10B-ZR-SM2-TF	13.5(.531)	16.5(.650)	1,000	B10B-ZR-SM3-TF	S10B-ZR-SM3A-TF	13.5(.531)	18.0(.709)	1,000	1,000
11	S11B-ZR-SM2-TF	15.0(.591)	18.0(.709)	1,000	B11B-ZR-SM3-TF	S11B-ZR-SM3A-TF	15.0(.591)	19.5(.768)	1,000	1,000
12	S12B-ZR-SM2-TF	16.5(.650)	19.5(.768)	1,000	B12B-ZR-SM3-TF	S12B-ZR-SM3A-TF	16.5(.650)	21.0(.827)	1,000	1,000
13	S13B-ZR-SM2-TF	18.0(.709)	21.0(.827)	1,000	B13B-ZR-SM3-TF	S13B-ZR-SM3A-TF	18.0(.709)	22.5(.886)	1,000	1,000

Material and Finish

Pin: Brass, copper-undercoated, tin/lead-plated
 Wafer: Glass-filled nylon 46, UL94V-0, natural (white)
 Solder tab: Brass, copper-undercoated, tin/lead-plated

Note: 1. The products listed above are supplied on embossed-tape.
 2. Contact JST for the top entry type headers with suction cap.

<For reference> As the color identification,
 the following alphabet shall be put in the underlined part.
 For availability, delivery and minimum order quantity, contact JST.

ex. **S2B-ZR-SM3A-oo-TF**
 (blank)...natural (white)
 K...black R...red E...blue M...green

ZH CONNECTOR

SMT type shrouded header

Circuits	SM4 type		Dimensions mm(in.)		Q'ty / reel	
	Top entry type	Side entry type	A	B	Top entry type	Side entry type
2	B 2B-ZR-SM4-TF	S 2B-ZR-SM4A-TF	1.5(.059)	6.0(.236)	1,000	1,000
3	B 3B-ZR-SM4-TF	S 3B-ZR-SM4A-TF	3.0(.118)	7.5(.295)	1,000	1,000
4	B 4B-ZR-SM4-TF	S 4B-ZR-SM4A-TF	4.5(.177)	9.0(.354)	1,000	1,000
5	B 5B-ZR-SM4-TF	S 5B-ZR-SM4A-TF	6.0(.236)	10.5(.413)	1,000	1,000
6	B 6B-ZR-SM4-TF	S 6B-ZR-SM4A-TF	7.5(.295)	12.0(.472)	1,000	1,000
7	B 7B-ZR-SM4-TF	S 7B-ZR-SM4A-TF	9.0(.354)	13.5(.531)	1,000	1,000
8	B 8B-ZR-SM4-TF	S 8B-ZR-SM4A-TF	10.5(.413)	15.0(.591)	1,000	1,000
9	B 9B-ZR-SM4-TF	S 9B-ZR-SM4A-TF	12.0(.472)	16.5(.650)	1,000	1,000
10	B10B-ZR-SM4-TF	S10B-ZR-SM4A-TF	13.5(.531)	18.0(.709)	1,000	1,000
11	B11B-ZR-SM4-TF	S11B-ZR-SM4A-TF	15.0(.591)	19.5(.768)	1,000	1,000
12	B12B-ZR-SM4-TF	S12B-ZR-SM4A-TF	16.5(.650)	21.0(.827)	1,000	1,000
13	B13B-ZR-SM4-TF	S13B-ZR-SM4A-TF	18.0(.709)	22.5(.886)	1,000	1,000

Material and Finish

Pin: Brass, copper-undercoated, tin-plated
 Wafer: Modified PA6T, UL94V-0, natural (white)
 Solder tab: Brass, nickel-undercoated, tin/copper alloy-plated

Note: 1. The products listed above are supplied on embossed-tape.
 2. Contact JST for the top entry type headers with suction cap.

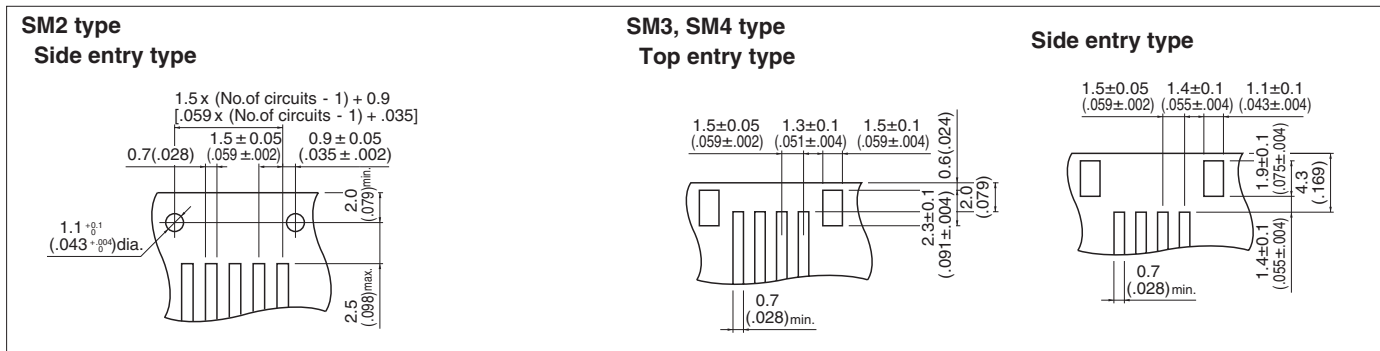
<For reference> As the color identification, the following alphabet shall be put in the underlined part. For availability, delivery and minimum order quantity, contact JST.

ex. **S2B-ZR-SM3A-oo-TF**

(blank)...natural (white)

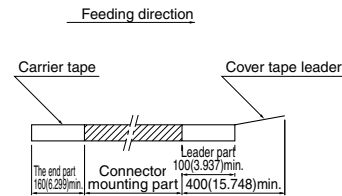
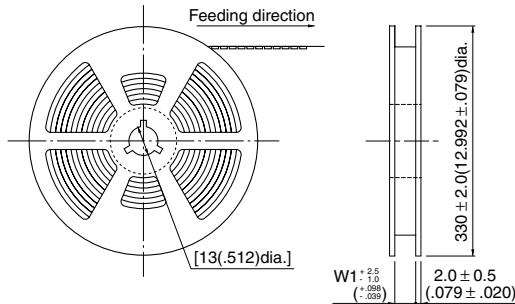
K...black R...red E...blue M...green

SMT type PC board layout (viewed from component side)



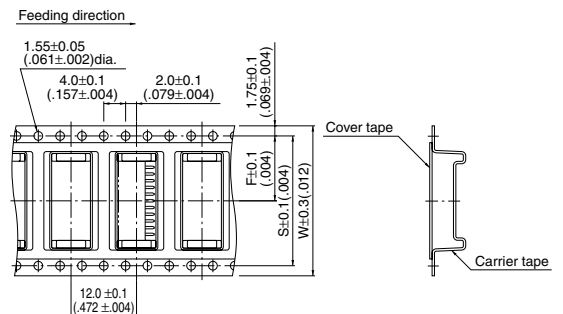
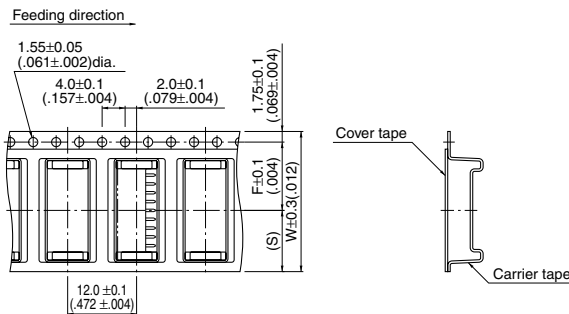
Note: 1. Tolerances are non-cumulative: $\pm 0.05\text{mm} (\pm .002")$ for all centers.
 2. The dimensions above should serve as a guideline. Contact JST for details.

Taping specifications



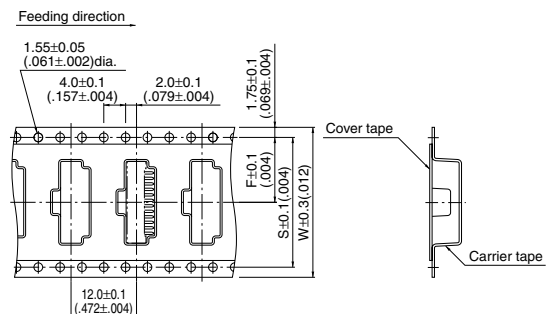
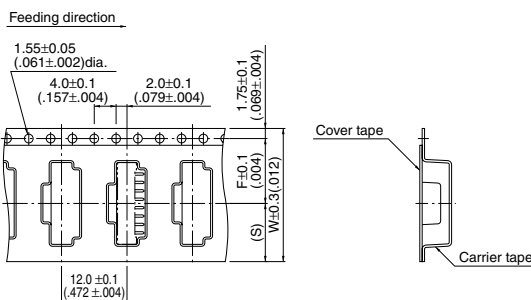
SM2 type
(Side entry type) 2 to 11 circuits
SM3, SM4 type
(Side entry type) 2 to 10 circuits

SM2 type
(Side entry type) 12 to 13 circuits
SM3, SM4 type
(Side entry type) 11 to 13 circuits



SM3, SM4 type
(Top entry type)
2 to 10 circuits

SM3, SM4 type
(Top entry type)
11 to 13 circuits



Circuits		Taping dimensions mm(in.)			Reel dimensions mm(in.)	Q'ty / reel	
		F	S	W	W1		
SM2 Type	Side entry type	2 to 6	7.5(.295)	6.75(.266)	16.0(.630)	17.5(.689)	1,000
		7 to 11	11.5(.453)	10.75(.423)	24.0(.945)	25.5(1.004)	1,000
		12 to 13	14.2(.559)	28.4(1.118)	32.0(1.260)	33.5(1.319)	1,000
SM3 SM4 Type	Top entry type	2	5.5(.217)	4.75(.187)	12.0(.472)	13.5(.531)	1,000
		3 to 5	7.5(.295)	6.75(.266)	16.0(.630)	17.5(.689)	1,000
		6 to 10	11.5(.453)	10.75(.423)	24.0(.945)	25.5(1.004)	1,000
		11 to 13	14.2(.559)	28.4(1.118)	32.0(1.260)	33.5(1.319)	1,000
	Side entry type	2 to 5	7.5(.295)	6.75(.266)	16.0(.630)	17.5(.689)	1,000
		6 to 10	11.5(.453)	10.75(.423)	24.0(.945)	25.5(1.004)	1,000
		11 to 12	14.2(.559)	28.4(1.118)	32.0(1.260)	33.5(1.319)	1,000
13		20.2(.795)	40.4(1.591)	44.0(1.732)	45.5(1.791)	1,000	

Note:

- Specifications conform to JIS C 0806. The tape width, connector recess dimensions, etc. are determined by the number of circuits and external shape of the connector to be loaded.
- Specifications are subject to change without prior notice.

ZH CONNECTOR

Applicator for the semi-automatic press AP-K2N

Contact	Crimp applicator MKS-L		Compact crimp applicator MKS-LS		Strip-crimp applicator MKS-SC
	with safety cover	without safety cover	with safety cover	without safety cover	with safety cover
SZH-002T-P0.5	APLMK SZH002-05	APLNC SZH002-05	-	-	-
SZH-003T-P0.5	APLMK SZH003-05	APLNC SZH003-05	-	-	APLSC SZH003-05