

**ABSOLUTE MAXIMUM RATINGS**

Input Supply Voltage ( $V_{IN}$ ) ..... 36V to  $-0.3V$   
 Topside Driver Supply Voltage (BOOST) .... 42V to  $-0.3V$   
 Switch Voltage (SW) .....  $V_{IN} + 5V$  to  $-5V$   
 EXT $V_{CC}$  Voltage ..... 10V to  $-0.3V$   
 SENSE $^+$ , SENSE $^-$  Voltages ..... INT $V_{CC}$  + 0.3V to  $-0.3V$   
 $I_{TH}$ ,  $V_{OSENSE}$  Voltages ..... 2.7V to  $-0.3V$   
 SFB, Run/SS Voltages ..... 10V to  $-0.3V$   
 Peak Driver Output Current < 10 $\mu$ s (TG, BG) ..... 2A  
 INT $V_{CC}$  Output Current ..... 50mA  
 Operating Ambient Temperature Range  
     LTC1435AC ..... 0°C to 70°C  
     LTC1435AI .....  $-40^\circ\text{C}$  to 85°C  
 Junction Temperature (Note 1) ..... 125°C  
 Storage Temperature Range .....  $-65^\circ\text{C}$  to 150°C  
 Lead Temperature (Soldering, 10 sec) ..... 300°C

**PACKAGE/ORDER INFORMATION**

TOP VIEW

G PACKAGE      S PACKAGE  
16-LEAD PLASTIC SSOP    16-LEAD PLASTIC SO

$T_{JMAX} = 125^\circ\text{C}$ ,  $\theta_{JA} = 130^\circ\text{C/W}$  (G)  
 $T_{JMAX} = 125^\circ\text{C}$ ,  $\theta_{JA} = 110^\circ\text{C/W}$  (S)

ORDER PART NUMBER

LTC1435ACG  
LTC1435ACS  
LTC1435AIG  
LTC1435AIS

Consult factory for Military grade parts.

**ELECTRICAL CHARACTERISTICS**  $T_A = 25^\circ\text{C}$ ,  $V_{IN} = 15V$ ,  $V_{RUN/SS} = 5V$  unless otherwise noted.

SYMBOL	PARAMETER	CONDITIONS	MIN	TYP	MAX	UNITS	
<b>Main Control Loop</b>							
$I_{IN}$ $V_{OSENSE}$	Feedback Current	(Note 2)		10	50	nA	
$V_{OSENSE}$	Feedback Voltage	(Note 2)	●	1.178	1.19	1.202	V
$\Delta V_{LINEREG}$	Reference Voltage Line Regulation	$V_{IN} = 3.6V$ to 20V (Note 2)		0.002	0.01	%/V	
$\Delta V_{LOADREG}$	Output Voltage Load Regulation	$I_{TH}$ Sinking 5 $\mu$ A (Note 2)	●		0.5	0.8	%
		$I_{TH}$ Sourcing 5 $\mu$ A	●		-0.5	-0.8	%
$V_{SFB}$	Secondary Feedback Threshold	$V_{SFB}$ Ramping Negative	●	1.16	1.19	1.22	V
$I_{SFB}$	Secondary Feedback Current	$V_{SFB} = 1.5V$		-1	-2	$\mu$ A	
$V_{OVL}$	Output Overvoltage Lockout			1.24	1.28	1.32	V
$I_Q$	Input DC Supply Current	Normal Mode		280			$\mu$ A
		Shutdown		16	25		$\mu$ A
$V_{RUN/SS}$	Run Pin Threshold		●	0.8	1.3	2	V
$I_{RUN/SS}$	Soft Start Current Source	$V_{RUN/SS} = 0V$		1.5	3	4.5	$\mu$ A
$\Delta V_{SENSE(MAX)}$	Maximum Current Sense Threshold	$V_{OSENSE} = 0V, 5V$		130	150	180	mV
$t_{ON(MIN)}$	Minimum On-Time	Tested with Square Wave, SENSE $^- = 1.6V$ , $\Delta V_{SENSE} = 20mV$ (Note 5)		250	300		ns
TG $t_r$	TG Transition Time	Rise Time		50	150		ns
		Fall Time		50	150		ns
BG $t_r$	BG Transition Time	Rise Time		50	150		ns
		Fall Time		40	150		ns
<b>Internal <math>V_{CC}</math> Regulator</b>							
$V_{INTVCC}$	Internal $V_{CC}$ Voltage	$6V < V_{IN} < 30V$ , $V_{EXTVCC} = 4V$	●	4.8	5.0	5.2	V
$V_{LDO INT}$	INT $V_{CC}$ Load Regulation	$I_{INTVCC} = 15mA$ , $V_{EXTVCC} = 4V$		-0.2	-1		%
$V_{LDO EXT}$	EXT $V_{CC}$ Voltage Drop	$I_{INTVCC} = 15mA$ , $V_{EXTVCC} = 5V$		130	230		mV
$V_{EXTVCC}$	EXT $V_{CC}$ Switchover Voltage	$I_{INTVCC} = 15mA$ , $V_{EXTVCC}$ Ramping Positive	●	4.5	4.7		V

# ELECTRICAL CHARACTERISTICS $T_A = 25^\circ\text{C}$ , $V_{IN} = 15\text{V}$ , $V_{RUN/SS} = 5\text{V}$ unless otherwise noted.

SYMBOL	PARAMETER	CONDITIONS	MIN	TYP	MAX	UNITS
<b>Oscillator</b>						
$f_{OSC}$	Oscillator Frequency	$C_{OSC} = 100\text{pF}$ (Note 4)	112	125	138	kHz

The ● denotes specifications which apply over the full operating temperature range.

LTC1435ACG/LTC1435ACS:  $0^\circ\text{C} \leq T_A \leq 70^\circ\text{C}$

LTC1435AIG/LTC1435AIS:  $-40^\circ\text{C} \leq T_A \leq 85^\circ\text{C}$

**Note 1:**  $T_J$  is calculated from the ambient temperature  $T_A$  and power dissipation  $P_D$  according to the following formula:

LTC1435ACG/LTC1435AIG:  $T_J = T_A + (P_D)(130^\circ\text{C/W})$

LTC1435ACS/LTC1435AIS:  $T_J = T_A + (P_D)(110^\circ\text{C/W})$

**Note 2:** The LTC1435A is tested in a feedback loop which servos  $V_{OSENSE}$  to the balance point for the error amplifier ( $V_{ITH} = 1.19\text{V}$ ).

**Note 3:** Dynamic supply current is higher due to the gate charge being delivered at the switching frequency. See Applications Information.

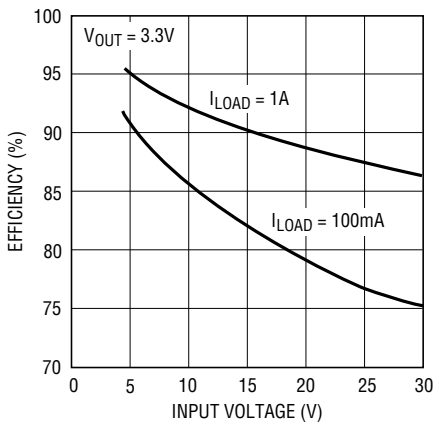
**Note 4:** Oscillator frequency is tested by measuring the  $C_{OSC}$  charge and discharge currents and applying the formula:

$$f_{OSC} \text{ (kHz)} = \left( \frac{8.4(10^8)}{C_{OSC} \text{ (pF)} + 11} \right) \left( \frac{1}{I_{CHG}} + \frac{1}{I_{DIS}} \right)^{-1}$$

**Note 5:** The minimum on-time test condition corresponds to an inductor peak-to-peak ripple current  $\geq 40\%$  of  $I_{MAX}$  (see Minimum On-Time Considerations in the Applications Information section).

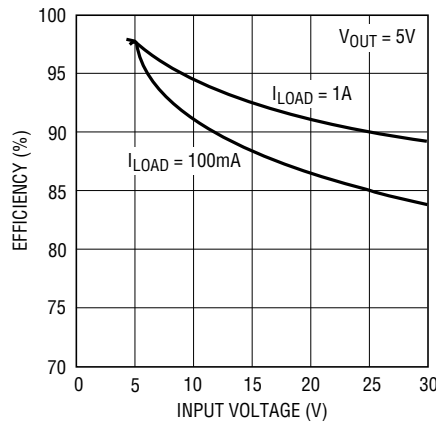
## TYPICAL PERFORMANCE CHARACTERISTICS

**Efficiency vs Input Voltage**  
 $V_{OUT} = 3.3\text{V}$



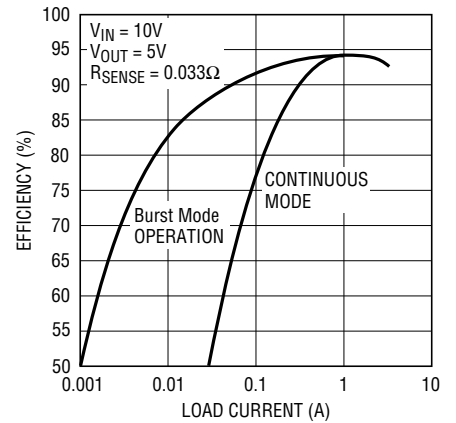
1435A G01

**Efficiency vs Input Voltage**  
 $V_{OUT} = 5\text{V}$



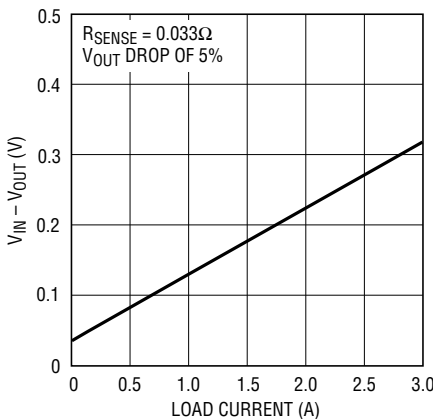
1435A G02

**Efficiency vs Load Current**



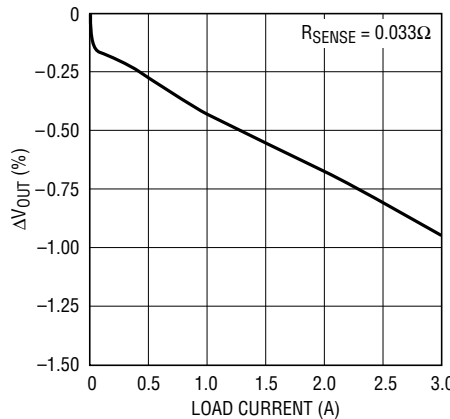
1435A G03

**$V_{IN} - V_{OUT}$  Dropout Voltage vs Load Current**



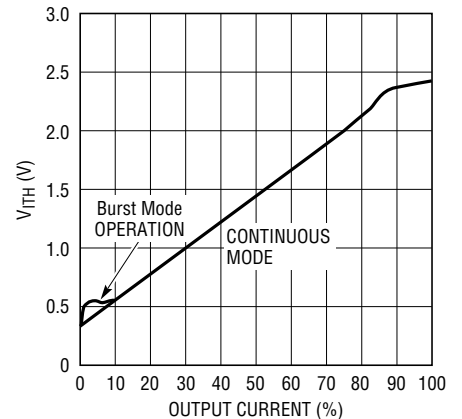
1435A G04

**Load Regulation**



1435A G05

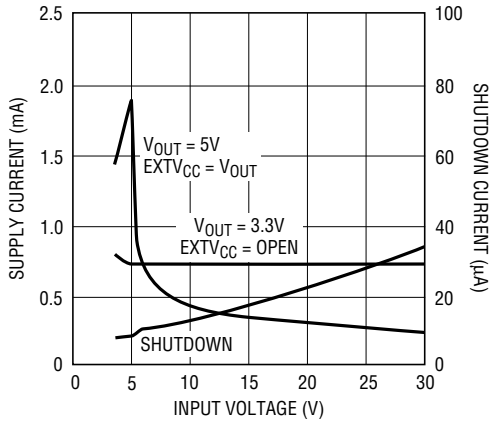
**$V_{ITH}$  Pin Voltage vs Output Current**



1435A G06

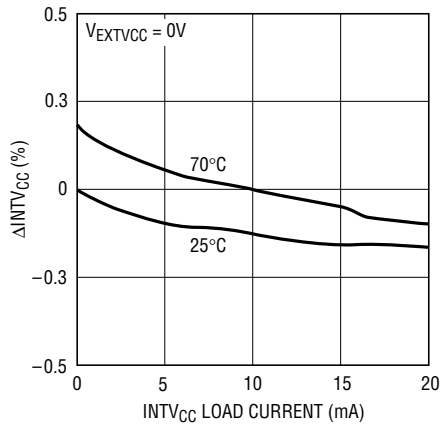
## TYPICAL PERFORMANCE CHARACTERISTICS

**Input Supply and Shutdown Current vs Input Voltage**



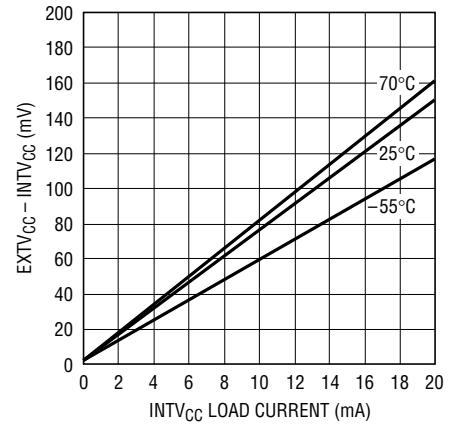
1435A G07

**INTV<sub>CC</sub> Regulation vs INTV<sub>CC</sub> Load Current**



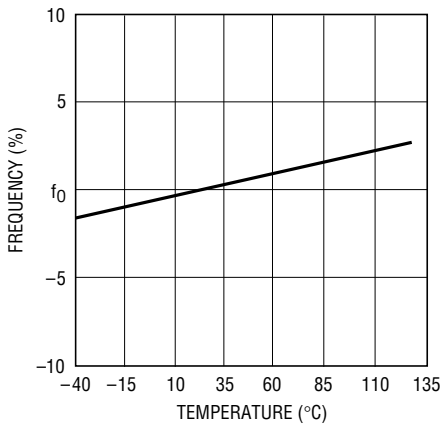
1435A G08

**EXTV<sub>CC</sub> Switch Drop vs INTV<sub>CC</sub> Load Current**



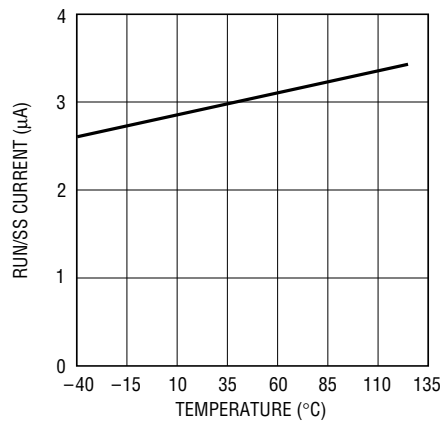
1435A G09

**Normalized Oscillator Frequency vs Temperature**



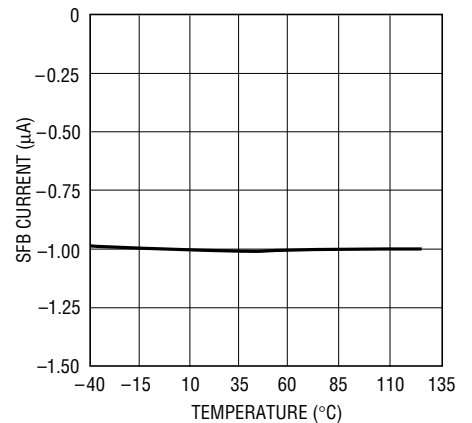
1435A G10

**RUN/SS Pin Current vs Temperature**



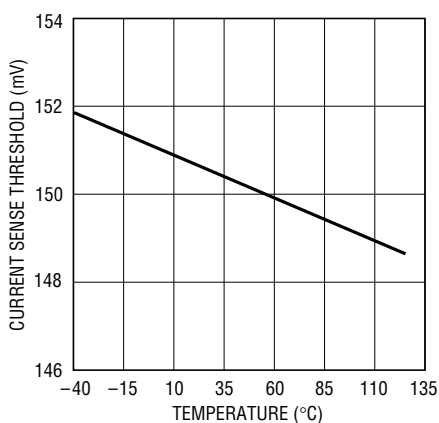
1435A G11

**SFB Pin Current vs Temperature**



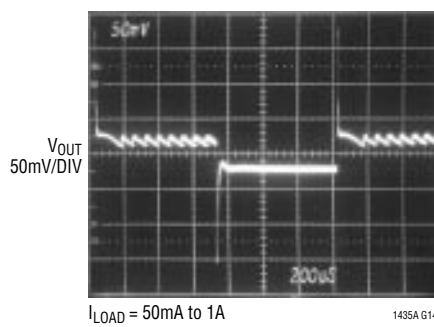
1435A G12

**Maximum Current Sense Threshold Voltage vs Temperature**



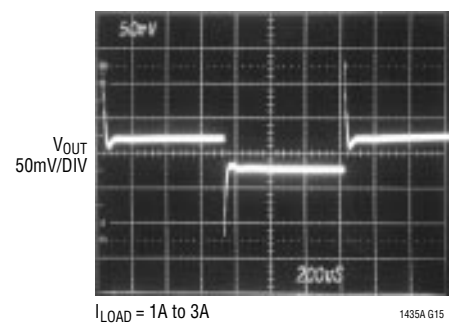
1435A G13

**Transient Response**



1435A G14

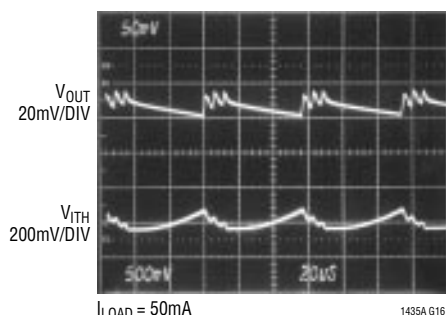
**Transient Response**



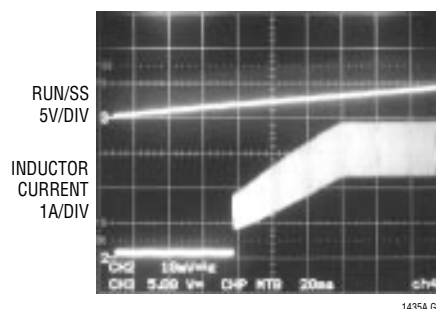
1435A G15

## TYPICAL PERFORMANCE CHARACTERISTICS

Burst Mode Operation



Soft Start: Load Current vs Time



## PIN FUNCTIONS

**C<sub>Osc</sub> (Pin 1):** External capacitor C<sub>Osc</sub> from this pin to ground sets the operating frequency.

**RUN/SS (Pin 2):** Combination of Soft Start and Run Control Inputs. A capacitor to ground at this pin sets the ramp time to full current output. The time is approximately 0.5s/μF. Forcing this pin below 1.3V causes the device to be shut down. In shutdown all functions are disabled.

**I<sub>TH</sub> (Pin 3):** Error Amplifier Compensation Point. The current comparator threshold increases with this control voltage. Nominal voltage range for this pin is 0V to 2.5V.

**SFB (Pin 4):** Secondary Winding Feedback Input. Normally connected to a feedback resistive divider from the secondary winding. This pin should be tied to: ground to force continuous operation; INTV<sub>CC</sub> in applications that don't use a secondary winding; and a resistive divider from the output in applications using a secondary winding.

**SGND (Pin 5):** Small-Signal Ground. Must be routed separately from other grounds to the (–) terminal of C<sub>OUT</sub>.

**V<sub>OSENSE</sub> (Pin 6):** Receives the feedback voltage from an external resistive divider across the output.

**SENSE<sup>–</sup> (Pin 7):** The (–) Input to the Current Comparator.

**SENSE<sup>+</sup> (Pin 8):** The (+) Input to the Current Comparator. Built-in offsets between SENSE<sup>–</sup> and SENSE<sup>+</sup> pins in conjunction with R<sub>SENSE</sub> set the current trip thresholds.

**EXTV<sub>CC</sub> (Pin 9):** Input to the Internal Switch Connected to INTV<sub>CC</sub>. This switch closes and supplies V<sub>CC</sub> power when-

ever EXTV<sub>CC</sub> is higher than 4.7V. See EXTV<sub>CC</sub> connection in Applications Information section. Do not exceed 10V on this pin. Connect to V<sub>OUT</sub> if V<sub>OUT</sub> ≥ 5V.

**PGND (Pin 10):** Driver Power Ground. Connects to source of bottom N-channel MOSFET and the (–) terminal of C<sub>IN</sub>.

**BG (Pin 11):** High Current Gate Drive for Bottom N-Channel MOSFET. Voltage swing at this pin is from ground to INTV<sub>CC</sub>.

**INTV<sub>CC</sub> (Pin 12):** Output of the Internal 5V Regulator and EXTV<sub>CC</sub> Switch. The driver and control circuits are powered from this voltage. Must be closely decoupled to power ground with a minimum of 2.2μF tantalum or electrolytic capacitor.

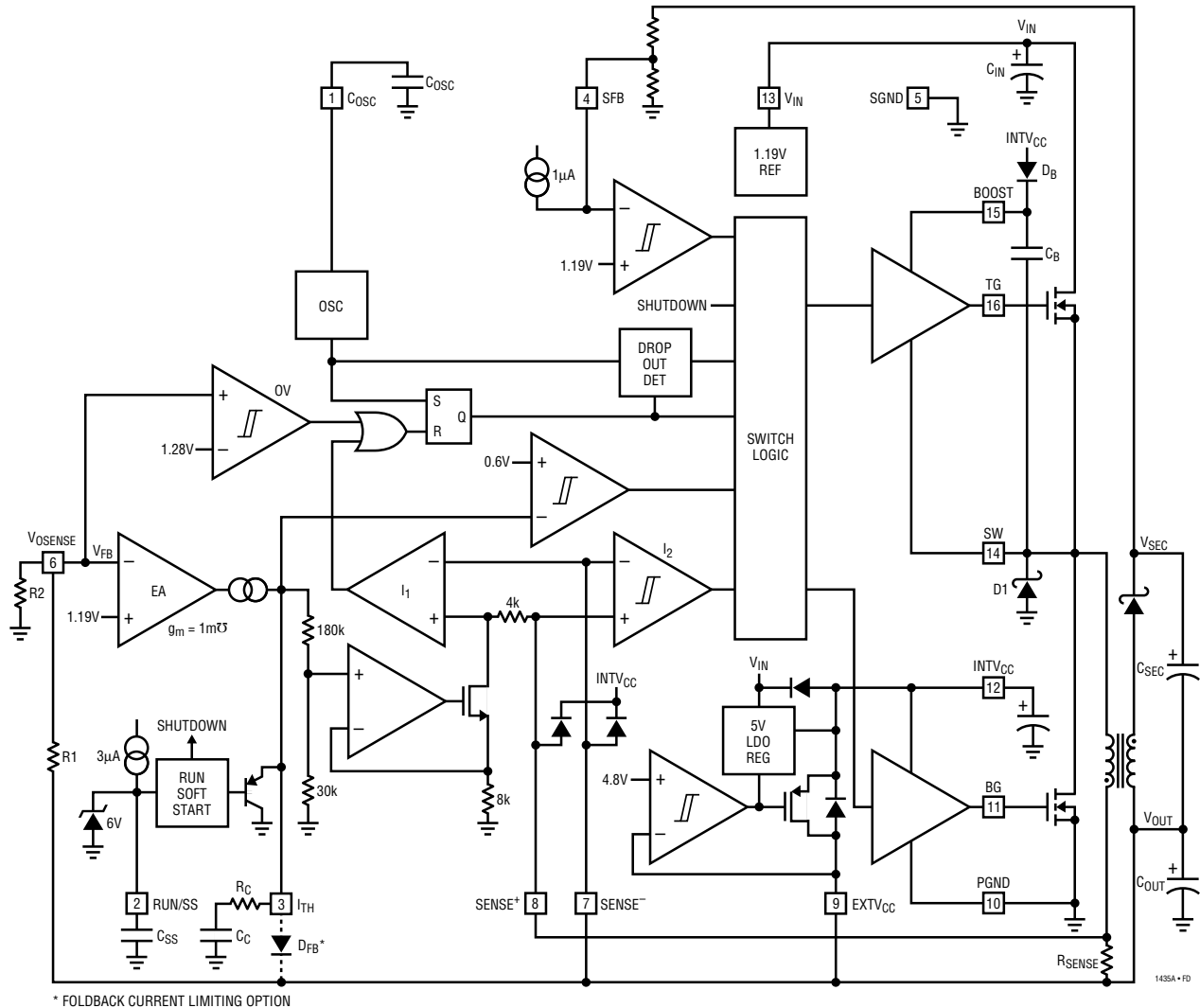
**V<sub>IN</sub> (Pin 13):** Main Supply Pin. Must be closely decoupled to the IC's signal ground pin.

**SW (Pin 14):** Switch Node Connection to Inductor. Voltage swing at this pin is from a Schottky diode (external) voltage drop below ground to V<sub>IN</sub>.

**BOOST (Pin 15):** Supply to Topside Floating Driver. The bootstrap capacitor is returned to this pin. Voltage swing at this pin is from INTV<sub>CC</sub> to V<sub>IN</sub> + INTV<sub>CC</sub>.

**TG (Pin 16):** High Current Gate Drive for Top N-Channel MOSFET. This is the output of a floating driver with a voltage swing equal to INTV<sub>CC</sub> superimposed on the switch node voltage SW.

# FUNCTIONAL DIAGRAM



## OPERATION (Refer to Functional Diagram)

### Main Control Loop

The LTC1435A uses a constant frequency, current mode step-down architecture. During normal operation, the top MOSFET is turned on each cycle when the oscillator sets the RS latch, and turned off when the main current comparator  $I_1$  resets the RS latch. The peak inductor current at which  $I_1$  resets the RS latch is controlled by the voltage on the  $I_{TH}$  pin, which is the output of error amplifier EA. The  $V_{OSENSE}$  pin, described in the Pin Functions section, allows EA to receive an output feedback voltage  $V_{FB}$  from an external resistive divider. When the load current increases, it causes a slight decrease in  $V_{FB}$  relative to the 1.19V ref-

erence, which in turn causes the  $I_{TH}$  voltage to increase until the average inductor current matches the new load current. While the top MOSFET is off, the bottom MOSFET is turned on until either the inductor current starts to reverse, as indicated by current comparator  $I_2$ , or the beginning of the next cycle.

The top MOSFET driver is biased from floating bootstrap capacitor  $C_B$ , which normally is recharged during each off cycle. However, when  $V_{IN}$  decreases to a voltage close to  $V_{OUT}$ , the loop may enter dropout and attempt to turn on the top MOSFET continuously. The dropout detector counts the number of oscillator cycles that the top MOSFET remains

## OPERATION (Refer to Functional Diagram)

on and periodically forces a brief off period to allow  $C_B$  to recharge.

The main control loop is shut down by pulling the RUN/SS pin low. Releasing RUN/SS allows an internal  $3\mu\text{A}$  current source to charge soft start capacitor  $C_{SS}$ . When  $C_{SS}$  reaches 1.3V, the main control loop is enabled with the  $I_{TH}$  voltage clamped at approximately 30% of its maximum value. As  $C_{SS}$  continues to charge,  $I_{TH}$  is gradually released allowing normal operation to resume.

Comparator OV guards against transient overshoots  $> 7.5\%$  by turning off the top MOSFET and keeping it off until the fault is removed.

### Low Current Operation

The LTC1435A is capable of Burst Mode operation in which the external MOSFETs operate intermittently based on load demand. The transition to low current operation begins when comparator  $I_2$  detects current reversal and turns off the bottom MOSFET. If the voltage across  $R_{SENSE}$  does not exceed the hysteresis of  $I_2$  (approximately 20mV) for one full cycle, then on following cycles the top and bottom drives are disabled. This continues until an inductor current peak exceeds  $20\text{mV}/R_{SENSE}$  or the  $I_{TH}$  voltage exceeds 0.6V,

either of which causes drive to be returned to the TG pin on the next cycle.

Two conditions can force continuous synchronous operation, even when the load current would otherwise dictate low current operation. One is when the common mode voltage of the  $SENSE^+$  and  $SENSE^-$  pins is below 1.4V and the other is when the SFB pin is below 1.19V. The latter condition is used to assist in secondary winding regulation as described in the Applications Information section.

### INTV<sub>CC</sub>/EXTV<sub>CC</sub> Power

Power for the top and bottom MOSFET drivers and most of the other LTC1435A circuitry is derived from the INTV<sub>CC</sub> pin. The bottom MOSFET driver supply pin is internally connected to INTV<sub>CC</sub> in the LTC1435A. When the EXTV<sub>CC</sub> pin is left open, an internal 5V low dropout regulator supplies INTV<sub>CC</sub> power. If EXTV<sub>CC</sub> is taken above 4.8V, the 5V regulator is turned off and an internal switch is turned on to connect EXTV<sub>CC</sub> to INTV<sub>CC</sub>. This allows the INTV<sub>CC</sub> power to be derived from a high efficiency external source such as the output of the regulator itself or a secondary winding, as described in the Applications Information section.

## APPLICATIONS INFORMATION

The basic LTC1435A application circuit is shown in Figure 1, High Efficiency Step-Down Converter. External component selection is driven by the load requirement and begins with the selection of  $R_{SENSE}$ . Once  $R_{SENSE}$  is known,  $C_{OSC}$  and L can be chosen. Next, the power MOSFETs and D1 are selected. Finally,  $C_{IN}$  and  $C_{OUT}$  are selected. The circuit shown in Figure 1 can be configured for operation up to an input voltage of 28V (limited by the external MOSFETs).

### $R_{SENSE}$ Selection for Output Current

$R_{SENSE}$  is chosen based on the required output current. The LTC1435A current comparator has a maximum threshold of  $150\text{mV}/R_{SENSE}$  and an input common mode range of SGND to INTV<sub>CC</sub>. The current comparator threshold sets the peak of the inductor current, yielding a maximum average output current  $I_{MAX}$  equal to the peak value less half the peak-to-peak ripple current  $\Delta I_L$ .

Allowing a margin for variations in the LTC1435A and external component values yields:

$$R_{SENSE} = \frac{100\text{mV}}{I_{MAX}}$$

The LTC1435A works well with  $R_{SENSE}$  values  $\geq 0.005\Omega$ .

### $C_{OSC}$ Selection for Operating Frequency

The LTC1435A uses a constant frequency architecture with the frequency determined by an external oscillator capacitor  $C_{OSC}$ . Each time the topside MOSFET turns on, the voltage  $C_{OSC}$  is reset to ground. During the on-time,  $C_{OSC}$  is charged by a fixed current. When the voltage on the capacitor reaches 1.19V,  $C_{OSC}$  is reset to ground. The process then repeats.

## APPLICATIONS INFORMATION

The value of  $C_{OSC}$  is calculated from the desired operating frequency:

$$C_{OSC} (\text{pF}) = \left[ \frac{1.37(10^4)}{\text{Frequency (kHz)}} \right] - 11$$

A graph for selecting  $C_{OSC}$  vs frequency is given in Figure 2. As the operating frequency is increased the gate charge losses will be higher, reducing efficiency (see Efficiency Considerations). The maximum recommended switching frequency is 400kHz.

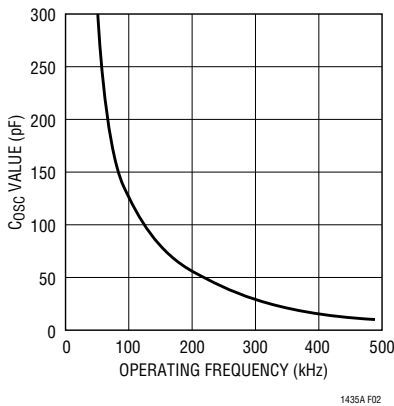


Figure 2. Timing Capacitor Value

### Inductor Value Calculation

The operating frequency and inductor selection are inter-related in that higher operating frequencies allow the use of smaller inductor and capacitor values. So why would anyone ever choose to operate at lower frequencies with larger components? The answer is efficiency. A higher frequency generally results in lower efficiency because of MOSFET gate charge losses. In addition to this basic trade-off, the effect of inductor value on ripple current and low current operation must also be considered.

The inductor value has a direct effect on ripple current. The inductor ripple current  $\Delta I_L$  decreases with higher inductance or frequency and increases with higher  $V_{IN}$  or  $V_{OUT}$ :

$$\Delta I_L = \frac{1}{(f)(L)} V_{OUT} \left( 1 - \frac{V_{OUT}}{V_{IN}} \right)$$

Accepting larger values of  $\Delta I_L$  allows the use of low inductances, but results in higher output voltage ripple and

greater core losses. A reasonable starting point for setting ripple current is  $\Delta I_L = 0.4(I_{MAX})$ . Remember, the maximum  $\Delta I_L$  occurs at the maximum input voltage.

The inductor value also has an effect on low current operation. The transition to low current operation begins when the inductor current reaches zero while the bottom MOSFET is on. Lower inductor values (higher  $\Delta I_L$ ) will cause this to occur at higher load currents, which can cause a dip in efficiency in the upper range of low current operation. In Burst Mode operation, lower inductance values will cause the burst frequency to decrease.

The Figure 3 graph gives a range of recommended inductor values vs operating frequency and  $V_{OUT}$ .

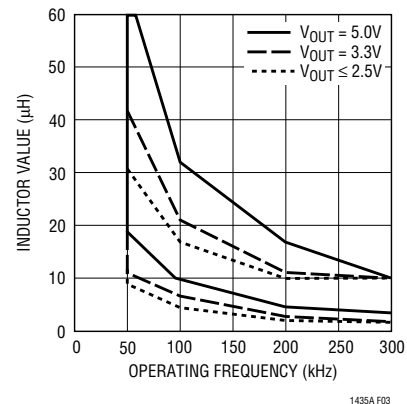


Figure 3. Recommended Inductor Values

For low duty cycle, high frequency applications where the required minimum on-time,

$$t_{ON(MIN)} = \frac{V_{OUT}}{(V_{IN(MAX)})(f)},$$

is less than 350ns, there may be further restrictions on the inductance to ensure proper operation. See Minimum On-Time Considerations section for more details.

### Inductor Core Selection

Once the value for  $L$  is known, the type of inductor must be selected. High efficiency converters generally cannot afford the core loss found in low cost powdered iron cores, forcing the use of more expensive ferrite, molypermalloy or Kool M $\mu$ ® cores. Actual core loss is independent of core size for

Kool M $\mu$  is a registered trademark of Magnetics, Inc.

## APPLICATIONS INFORMATION

a fixed inductor value, but it is very dependent on inductance selected. As inductance increases, core losses go down. Unfortunately, increased inductance requires more turns of wire and therefore copper losses will increase.

Ferrite designs have very low core loss and are preferred at high switching frequencies, so design goals can concentrate on copper loss and preventing saturation. Ferrite core material saturates “hard,” which means that inductance collapses abruptly when the peak design current is exceeded. This results in an abrupt increase in inductor ripple current and consequent output voltage ripple. **Do not allow the core to saturate!**

Molypermalloy (from Magnetics, Inc.) is a very good, low loss core material for toroids, but it is more expensive than ferrite. A reasonable compromise from the same manufacturer is Kool M $\mu$ . Toroids are very space efficient, especially when you can use several layers of wire. Because they generally lack a bobbin, mounting is more difficult. However, designs for surface mount are available which do not increase the height significantly.

### Power MOSFET and D1 Selection

Two external power MOSFETs must be selected for use with the LTC1435A: an N-channel MOSFET for the top (main) switch and an N-channel MOSFET for the bottom (synchronous) switch.

The peak-to-peak gate drive levels are set by the INTV<sub>CC</sub> voltage. This voltage is typically 5V during start-up (see EXT<sub>V</sub><sub>CC</sub> Pin Connection). Consequently, logic level threshold MOSFETs must be used in most LTC1435A applications. The only exception is applications in which EXT<sub>V</sub><sub>CC</sub> is powered from an external supply greater than 8V (must be less than 10V), in which standard threshold MOSFETs (V<sub>GS(TH)</sub> < 4V) may be used. Pay close attention to the BV<sub>DSS</sub> specification for the MOSFETs as well; many of the logic level MOSFETs are limited to 30V or less.

Selection criteria for the power MOSFETs include the “ON” resistance R<sub>DS(ON)</sub>, reverse transfer capacitance C<sub>RSS</sub>, input voltage and maximum output current. When the LTC1435A is operating in continuous mode the duty cycles for the top and bottom MOSFETs are given by:

$$\text{Main Switch Duty Cycle} = \frac{V_{\text{OUT}}}{V_{\text{IN}}}$$

$$\text{Synchronous Switch Duty Cycle} = \frac{(V_{\text{IN}} - V_{\text{OUT}})}{V_{\text{IN}}}$$

The MOSFET power dissipations at maximum output current are given by:

$$P_{\text{MAIN}} = \frac{V_{\text{OUT}}}{V_{\text{IN}}} (I_{\text{MAX}})^2 (1 + \delta) R_{\text{DS(ON)}} + k(V_{\text{IN}})^{1.85} (I_{\text{MAX}}) (C_{\text{RSS}}) (f)$$

$$P_{\text{SYNC}} = \frac{V_{\text{IN}} - V_{\text{OUT}}}{V_{\text{IN}}} (I_{\text{MAX}})^2 (1 + \delta) R_{\text{DS(ON)}}$$

where  $\delta$  is the temperature dependency of R<sub>DS(ON)</sub> and k is a constant inversely related to the gate drive current.

Both MOSFETs have I<sup>2</sup>R losses while the topside N-channel equation includes an additional term for transition losses, which are highest at high input voltages. For V<sub>IN</sub> < 20V the high current efficiency generally improves with larger MOSFETs, while for V<sub>IN</sub> > 20V the transition losses rapidly increase to the point that the use of a higher R<sub>DS(ON)</sub> device with lower C<sub>RSS</sub> actually provides higher efficiency. The synchronous MOSFET losses are greatest at high input voltage or during a short circuit when the duty cycle in this switch is nearly 100%. Refer to the Foldback Current Limiting section for further applications information.

The term (1 +  $\delta$ ) is generally given for a MOSFET in the form of a normalized R<sub>DS(ON)</sub> vs Temperature curve, but  $\delta = 0.005/^{\circ}\text{C}$  can be used as an approximation for low voltage MOSFETs. C<sub>RSS</sub> is usually specified in the MOSFET characteristics. The constant k = 2.5 can be used to estimate the contributions of the two terms in the main switch dissipation equation.

The Schottky diode D1 shown in Figure 1 conducts during the dead-time between the conduction of the two large power MOSFETs. This prevents the body diode of the bottom MOSFET from turning on and storing charge during the dead-time, which could cost as much as 1% in efficiency. A 1A Schottky is generally a good size for 3A regulators.



## APPLICATIONS INFORMATION

### $C_{IN}$ and $C_{OUT}$ Selection

In continuous mode, the source current of the top N-channel MOSFET is a square wave of duty cycle  $V_{OUT}/V_{IN}$ . To prevent large voltage transients, a low ESR input capacitor sized for the maximum RMS current must be used. The maximum RMS capacitor current is given by:

$$C_{IN} \text{ required } I_{RMS} \approx I_{MAX} \frac{[V_{OUT}(V_{IN} - V_{OUT})]^{1/2}}{V_{IN}}$$

This formula has a maximum at  $V_{IN} = 2V_{OUT}$ , where  $I_{RMS} = I_{OUT}/2$ . This simple worst-case condition is commonly used for design because even significant deviations do not offer much relief. Note that capacitor manufacturer's ripple current ratings are often based on only 2000 hours of life. This makes it advisable to further derate the capacitor or to choose a capacitor rated at a higher temperature than required. Several capacitors may also be paralleled to meet size or height requirements in the design. Always consult the manufacturer if there is any question.

The selection of  $C_{OUT}$  is driven by the required effective series resistance (ESR). Typically, once the ESR requirement is satisfied the capacitance is adequate for filtering. The output ripple ( $\Delta V_{OUT}$ ) is approximated by:

$$\Delta V_{OUT} \approx \Delta I_L \left( ESR + \frac{1}{4fC_{OUT}} \right)$$

where  $f$  = operating frequency,  $C_{OUT}$  = output capacitance and  $\Delta I_L$  = ripple current in the inductor. The output ripple is highest at maximum input voltage since  $\Delta I_L$  increases with input voltage. With  $\Delta I_L = 0.4I_{OUT(MAX)}$  the output ripple will be less than 100mV at max  $V_{IN}$  assuming:

$$C_{OUT} \text{ required } ESR < 2R_{SENSE}$$

Manufacturers such as Nichicon, United Chemicon and Sanyo should be considered for high performance through-hole capacitors. The OS-CON semiconductor dielectric capacitor available from Sanyo has the lowest ESR (size) product of any aluminum electrolytic at a somewhat higher price. Once the ESR requirement for  $C_{OUT}$  has been met, the RMS current rating generally far exceeds the  $I_{RIPPLE(P-P)}$  requirement.

In surface mount applications multiple capacitors may have to be paralleled to meet the ESR or RMS current handling requirements of the application. Aluminum electrolytic and dry tantalum capacitors are both available in surface mount configurations. In the case of tantalum, it is critical that the capacitors are surge tested for use in switching power supplies. An excellent choice is the AVX TPS series of surface mount tantalum, available in case heights ranging from 2mm to 4mm. Other capacitor types include Sanyo OS-CON, Nichicon PL series and Sprague 593D and 595D series. Consult the manufacturer for other specific recommendations.

### INTV<sub>CC</sub> Regulator

An internal P-channel low dropout regulator produces the 5V supply that powers the drivers and internal circuitry within the LTC1435A. The INTV<sub>CC</sub> pin can supply up to 15mA and must be bypassed to ground with a minimum of 2.2 $\mu$ F tantalum or low ESR electrolytic. Good bypassing is necessary to supply the high transient currents required by the MOSFET gate drivers.

High input voltage applications, in which large MOSFETs are being driven at high frequencies, may cause the maximum junction temperature rating for the LTC1435A to be exceeded. The IC supply current is dominated by the gate charge supply current when not using an output derived EXT<sub>VCC</sub> source. The gate charge is dependent on operating frequency as discussed in the Efficiency Considerations section. The junction temperature can be estimated by using the equations given in Note 1 of the Electrical Characteristics. For example, the LTC1435A is limited to less than 17mA from a 30V supply:

$$T_J = 70^\circ\text{C} + (17\text{mA})(30\text{V})(100^\circ\text{C/W}) = 126^\circ\text{C}$$

To prevent maximum junction temperature from being exceeded, the input supply current must be checked when operating in continuous mode at maximum  $V_{IN}$ .

### EXT<sub>VCC</sub> Connection

The LTC1435A contains an internal P-channel MOSFET switch connected between the EXT<sub>VCC</sub> and INTV<sub>CC</sub> pins. The switch closes and supplies the INTV<sub>CC</sub> power whenever the EXT<sub>VCC</sub> pin is above 4.8V, and remains closed until EXT<sub>VCC</sub> drops below 4.5V. This allows the MOSFET driver and

## APPLICATIONS INFORMATION

control power to be derived from the output during normal operation ( $4.8V < V_{OUT} < 9V$ ) and from the internal regulator when the output is out of regulation (start-up, short circuit). Do not apply greater than 10V to the  $EXTV_{CC}$  pin and ensure that  $EXTV_{CC} \leq V_{IN}$ .

Significant efficiency gains can be realized by powering  $INTV_{CC}$  from the output, since the  $V_{IN}$  current resulting from the driver and control currents will be scaled by a factor of Duty Cycle/Efficiency. For 5V regulators this supply means connecting the  $EXTV_{CC}$  pin directly to  $V_{OUT}$ . However, for 3.3V and other lower voltage regulators, additional circuitry is required to derive  $INTV_{CC}$  power from the output.

The following list summarizes the four possible connections for  $EXTV_{CC}$ :

1.  $EXTV_{CC}$  left open (or grounded). This will cause  $INTV_{CC}$  to be powered from the internal 5V regulator resulting in an efficiency penalty of up to 10% at high input voltages.
2.  $EXTV_{CC}$  connected directly to  $V_{OUT}$ . This is the normal connection for a 5V regulator and provides the highest efficiency.
3.  $EXTV_{CC}$  connected to an output-derived boost network. For 3.3V and other low voltage regulators, efficiency gains can still be realized by connecting  $EXTV_{CC}$  to an output-derived voltage which has been boosted to greater than 4.8V. This can be done with either the inductive boost winding as shown in Figure 4a or the capacitive charge pump shown in Figure 4b. The charge pump has the advantage of simple magnetics.
4.  $EXTV_{CC}$  connected to an external supply. If an external supply is available in the 5V to 10V range ( $EXTV_{CC} \leq V_{IN}$ ), it may be used to power  $EXTV_{CC}$  providing it is compatible with the MOSFET gate drive requirements. When driving standard threshold MOSFETs, the external supply must always be present during operation to prevent MOSFET failure due to insufficient gate drive.

### Topside MOSFET Driver Supply ( $C_B$ , $D_B$ )

An external bootstrap capacitor  $C_B$  connected to the Boost pin supplies the gate drive voltage for the topside MOSFET. Capacitor  $C_B$  in the Functional Diagram is charged through diode  $D_B$  from  $INTV_{CC}$  when the SW pin is low. When the

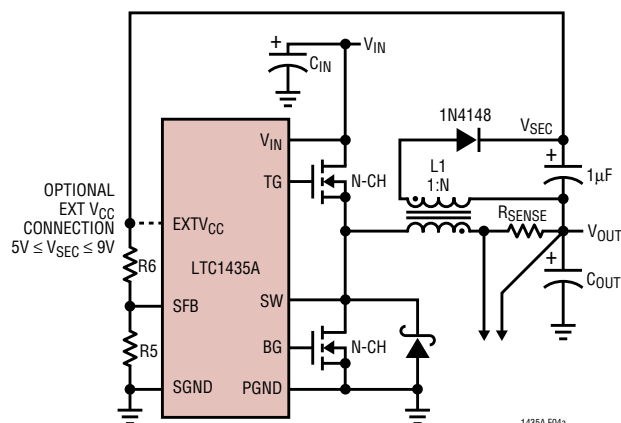


Figure 4a. Secondary Output Loop and  $EXTV_{CC}$  Connection

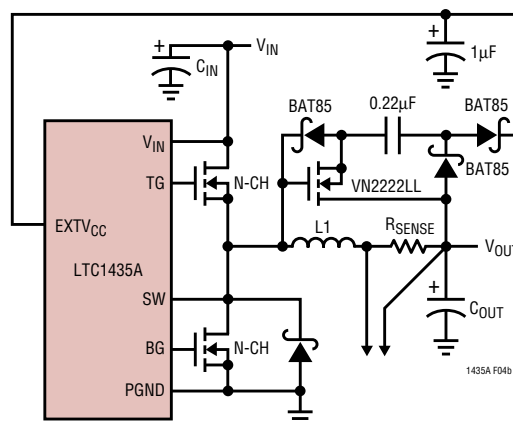


Figure 4b. Capacitive Charge Pump for  $EXTV_{CC}$

topside MOSFET is to be turned on, the driver places the  $C_B$  voltage across the gate source of the MOSFET. This enhances the MOSFET and turns on the topside switch. The switch node voltage SW rises to  $V_{IN}$  and the Boost pin rises to  $V_{IN} + INTV_{CC}$ . The value of the boost capacitor  $C_B$  needs to be 100 times greater than the total input capacitance of the topside MOSFET. In most applications 0.1µF is adequate. The reverse breakdown on  $D_B$  must be greater than  $V_{IN(MAX)}$ .

### Output Voltage Programming

The output voltage is set by a resistive divider according to the following formula:

$$V_{OUT} = 1.19V \left( 1 + \frac{R2}{R1} \right), V_{OUT} \geq 1.19V$$

## APPLICATIONS INFORMATION

The external resistive divider is connected to the output as shown in Figure 5 allowing remote voltage sensing.

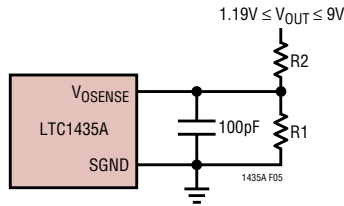


Figure 5. Setting the LTC1435A Output Voltage

### Run/Soft Start Function

The RUN/SS pin is a dual purpose pin that provides the soft start function and a means to shut down the LTC1435A. Soft start reduces surge currents from  $V_{IN}$  by gradually increasing the internal current limit. *Power supply sequencing* can also be accomplished using this pin.

An internal  $3\mu\text{A}$  current source charges up an external capacitor  $C_{SS}$ . When the voltage on RUN/SS reaches 1.3V the LTC1435A begins operating. As the voltage on RUN/SS continues to ramp from 1.3V to 2.4V, the internal current limit is also ramped at a proportional linear rate. The current limit begins at approximately  $50\text{mV}/R_{SENSE}$  (at  $V_{RUN/SS} = 1.3\text{V}$ ) and ends at  $150\text{mV}/R_{SENSE}$  ( $V_{RUN/SS} \geq 2.7\text{V}$ ). The output current thus ramps up slowly, charging the output capacitor. If RUN/SS has been pulled all the way to ground there is a delay before starting of approximately  $500\text{ms}/\mu\text{F}$ , followed by an additional  $500\text{ms}/\mu\text{F}$  to reach full current.

$$t_{\text{DELAY}} = 5(10^5)C_{\text{SS}} \text{ Seconds}$$

Pulling the RUN/SS pin below 1.3V puts the LTC1435A into a low quiescent current shutdown ( $I_Q < 25\mu\text{A}$ ). This pin can be driven directly from logic as shown in Figure 6. Diode D1 in Figure 6 reduces the start delay but allows  $C_{SS}$  to ramp up slowly for the soft start function; this diode and  $C_{SS}$  can be deleted if soft start is not needed. The RUN/SS pin has an internal 6V Zener clamp (See Functional Diagram).

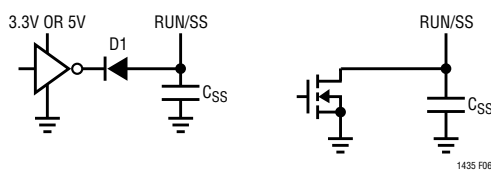


Figure 6. RUN/SS Pin Interfacing

### Foldback Current Limiting

As described in Power MOSFET and D1 Selection, the worst-case dissipation for either MOSFET occurs with a short-circuited output, when the synchronous MOSFET conducts the current limit value almost continuously. In most applications this will not cause excessive heating, even for extended fault intervals. However, when heat sinking is at a premium or higher  $R_{DS(ON)}$  MOSFETs are being used, foldback current limiting should be added to reduce the current in proportion to the severity of the fault.

Foldback current limiting is implemented by adding diode  $D_{FB}$  between the output and the  $I_{TH}$  pin as shown in the Functional Diagram. In a hard short ( $V_{OUT} = 0\text{V}$ ) the current will be reduced to approximately 25% of the maximum output current. This technique may be used for all applications with regulated output voltages of 1.8V or greater.

### SFB Pin Operation

When the SFB pin drops below its ground referenced 1.19V threshold, continuous mode operation is forced. In continuous mode, the large N-channel main and synchronous switches are used regardless of the load on the main output.

In addition to providing a logic input to force continuous synchronous operation, the SFB pin provides a means to regulate a flyback winding output. Continuous synchronous operation allows power to be drawn from the auxiliary windings without regard to the primary output load. The SFB pin provides a way to force continuous synchronous operation as needed by the flyback winding.

The secondary output voltage is set by the turns ratio of the transformer in conjunction with a pair of external resistors returned to the SFB pin as shown in Figure 4a. The secondary regulated voltage,  $V_{SEC}$ , in Figure 4a is given by:

$$V_{\text{SEC}} \approx (N + 1)V_{\text{OUT}} > 1.19 \left( 1 + \frac{R6}{R5} \right)$$

where  $N$  is the turns ratio of the transformer and  $V_{OUT}$  is the main output voltage sensed by  $V_{OSENSE}$ .

### Minimum On-Time Considerations

Minimum on-time,  $t_{ON(MIN)}$ , is the smallest amount of time that the LTC1435A is capable of turning the top MOSFET

## APPLICATIONS INFORMATION

on and off again. It is determined by internal timing delays and the gate charge required to turn on the top MOSFET. Low duty cycle applications may approach this minimum on-time limit. If the duty cycle falls below what can be accommodated by the minimum on-time, the LTC1435A will begin to skip cycles. The output voltage will continue to be regulated, but the ripple current and ripple voltage will increase. Therefore this limit should be avoided.

The minimum on-time for the LTC1435A in a properly configured application is less than 300ns but increases at low ripple current amplitudes (see Figure 7). If an application is expected to operate close to the minimum on-time limit, an inductor value must be chosen that is low enough to provide sufficient ripple amplitude to meet the minimum on-time requirement. To determine the proper value, use the following procedure:

1. Calculate on-time at maximum supply,  $t_{ON(MIN)} = (1/f)(V_{OUT}/V_{IN(MAX)})$ .
2. Use Figure 7 to obtain the peak-to-peak inductor ripple current as a percentage of  $I_{MAX}$  necessary to achieve the calculated  $t_{ON(MIN)}$ .
3. Ripple amplitude  $\Delta I_{L(MIN)} = (\% \text{ from Figure 7})(I_{MAX})$  where  $I_{MAX} = 0.1/R_{SENSE}$ .

$$4. L_{MAX} = t_{ON(MIN)} \left( \frac{V_{IN(MAX)} - V_{OUT}}{\Delta I_{L(MIN)}} \right)$$

Choose an inductor less than or equal to the calculated  $L_{MAX}$  to ensure proper operation.

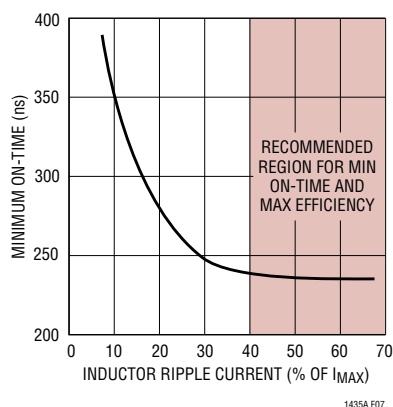


Figure 7. Minimum On-Time vs Inductor Ripple Current

Because of the sensitivity of the LTC1435A current comparator when operating close to the minimum on-time limit, it is important to prevent stray magnetic flux generated by the inductor from inducing noise on the current sense resistor, which may occur when axial type cores are used. By orienting the sense resistor on the radial axis of the inductor (see Figure 8), this noise will be minimized.

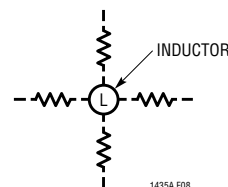


Figure 8. Allowable Inductor/ $R_{SENSE}$  Layout Orientations

### Efficiency Considerations

The efficiency of a switching regulator is equal to the output power divided by the input power times 100%. It is often useful to analyze individual losses to determine what is limiting the efficiency and which change would produce the most improvement. Efficiency can be expressed as:

$$\text{Efficiency} = 100\% - (L1 + L2 + L3 + \dots)$$

where  $L1$ ,  $L2$ , etc. are the individual losses as a percentage of input power.

Although all dissipative elements in the circuit produce losses, four main sources usually account for most of the losses in LTC1435A circuits. LTC1435A  $V_{IN}$  current,  $INTV_{CC}$  current,  $I^2R$  losses, and topside MOSFET transition losses.

1. The  $V_{IN}$  current is the DC supply current given in the electrical characteristics which excludes MOSFET driver and control currents.  $V_{IN}$  current results in a small (< 1%) loss which increases with  $V_{IN}$ .
2.  $INTV_{CC}$  current is the sum of the MOSFET driver and control currents. The MOSFET driver current results from switching the gate capacitance of the power MOSFETs. Each time a MOSFET gate is switched from low to high to low again, a packet of charge  $dQ$  moves from  $INTV_{CC}$  to ground. The resulting  $dQ/dt$  is a current out of  $INTV_{CC}$  that is typically much larger than the control circuit current. In continuous mode,  $I_{GATECHG} = f(Q_T + Q_B)$ , where  $Q_T$  and  $Q_B$  are the gate charges of the topside and bottom side MOSFETs.

## APPLICATIONS INFORMATION

By powering  $EXTV_{CC}$  from an output-derived source, the additional  $V_{IN}$  current resulting from the driver and control currents will be scaled by a factor of Duty Cycle/Efficiency. For example, in a 20V to 5V application, 10mA of  $INTV_{CC}$  current results in approximately 3mA of  $V_{IN}$  current. This reduces the midcurrent loss from 10% or more (if the driver was powered directly from  $V_{IN}$ ) to only a few percent.

- $I^2R$  losses are predicted from the DC resistances of the MOSFET, inductor and current shunt. In continuous mode the average output current flows through L and  $R_{SENSE}$ , but is “chopped” between the topside main MOSFET and the synchronous MOSFET. If the two MOSFETs have approximately the same  $R_{DS(ON)}$ , then the resistance of one MOSFET can simply be summed with the resistances of L and  $R_{SENSE}$  to obtain  $I^2R$  losses. For example, if each  $R_{DS(ON)} = 0.05\Omega$ ,  $R_L = 0.15\Omega$ , and  $R_{SENSE} = 0.05\Omega$ , then the total resistance is  $0.25\Omega$ . This results in losses ranging from 3% to 10% as the output current increases from 0.5A to 2A.  $I^2R$  losses cause the efficiency to drop at high output currents.
- Transition losses apply only to the topside MOSFET(s), and only when operating at high input voltages (typically 20V or greater). Transition losses can be estimated from:

$$\text{Transition Loss} = 2.5 (V_{IN})^{1.85} (I_{MAX}) (C_{RSS}) (f)$$

Other losses, including  $C_{IN}$  and  $C_{OUT}$  ESR dissipative losses, Schottky conduction losses during dead-time, and inductor core losses, generally account for less than 2% total additional loss.

### Checking Transient Response

The regulator loop response can be checked by looking at the load transient response. Switching regulators take several cycles to respond to a step in DC (resistive) load current. When a load step occurs,  $V_{OUT}$  immediately shifts by an amount equal to  $(\Delta I_{LOAD})(ESR)$ , where ESR is the effective series resistance of  $C_{OUT}$ .  $\Delta I_{LOAD}$  also begins to charge or discharge  $C_{OUT}$  which generates a feedback error signal. The regulator loop then acts to return  $V_{OUT}$  to its steady-state value. During this recovery time  $V_{OUT}$  can be monitored for overshoot or ringing, which would indicate a stability problem. The  $I_{TH}$  external components shown in

the Figure 1 circuit will provide adequate compensation for most applications.

A second, more severe transient is caused by switching in loads with large ( $>1\mu F$ ) supply bypass capacitors. The discharged bypass capacitors are effectively put in parallel with  $C_{OUT}$ , causing a rapid drop in  $V_{OUT}$ . No regulator can deliver enough current to prevent this problem if the load switch resistance is low and it is driven quickly. The only solution is to limit the rise time of the switch drive so that the load rise time is limited to approximately  $(25)(C_{LOAD})$ . Thus a  $10\mu F$  capacitor would require a  $250\mu s$  rise time, limiting the charging current to about 200mA.

### Automotive Considerations: Plugging into the Cigarette Lighter

As battery-powered devices go mobile, there is a natural interest in plugging into the cigarette lighter in order to conserve or even recharge battery packs during operation. But before you connect, be advised: you are plugging into the supply from hell. The main battery line in an automobile is the source of a number of nasty potential transients, including load dump, reverse battery and double battery.

Load dump is the result of a loose battery cable. When the cable breaks connection, the field collapse in the alternator can cause a positive spike as high as 60V which takes several hundred milliseconds to decay. Reverse battery is just what it says, while double battery is a consequence of tow truck operators finding that a 24V jump start cranks cold engines faster than 12V.

The network shown in Figure 9 is the most straightforward approach to protect a DC/DC converter from the ravages of an automotive battery line. The series diode prevents current from flowing during reverse battery, while the transient suppressor clamps the input voltage during load dump. Note that the transient suppressor should not

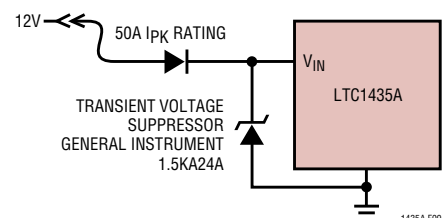


Figure 9. Automotive Application Protection

## APPLICATIONS INFORMATION

conduct during double battery operation, but must still clamp the input voltage below breakdown of the converter. Although the LTC1435A has a maximum input voltage of 36V, most applications will be limited to 30V by the MOSFET  $BV_{DSS}$ .

### Design Example

As a design example, assume  $V_{IN} = 12V$  (nominal),  $V_{IN} = 22V$  (max),  $V_{OUT} = 1.6V$ ,  $I_{MAX} = 3A$  and  $f = 250kHz$ ,  $R_{SENSE}$  and  $C_{OSC}$  can immediately be calculated:

$$R_{SENSE} = 100mV/3A = 0.033\Omega$$

$$C_{OSC} = 1.37(10^4)/250 - 11 = 43pF$$

Referring to Figure 3, a 4.7 $\mu$ H inductor falls within the recommended range. To check the actual value of the ripple current the following equation is used:

$$\Delta I_L = \frac{V_{OUT}}{(f)(L)} \left( 1 - \frac{V_{OUT}}{V_{IN}} \right)$$

The highest value of the ripple current occurs at the maximum input voltage:

$$\Delta I_L = \frac{1.6V}{250kHz(4.7\mu H)} \left( 1 - \frac{1.6V}{22V} \right) = 1.3A$$

The lowest duty cycle also occurs at maximum input voltage. The on-time during this condition should be checked to make sure it doesn't violate the LTC1435A's minimum on-time and cause cycle skipping to occur. The required on-time at  $V_{IN(MAX)}$  is:

$$t_{ON(MIN)} = \frac{V_{OUT}}{(V_{IN(MAX)})(f)} = \frac{1.6V}{(22V)(250kHz)} = 291ns$$

The  $\Delta I_L$  was previously calculated to be 1.3A, which is 43% of  $I_{MAX}$ . From Figure 7, the LTC1435A minimum on-time at 43% ripple is about 235ns. Therefore, the minimum on-time is sufficient and no cycle skipping will occur.

The power dissipation on the topside MOSFET can be easily estimated. Choosing a Siliconix Si4412DY results in:  $R_{DS(ON)} = 0.042\Omega$ ,  $C_{RSS} = 100pF$ . At maximum input voltage with  $T$  (estimated) = 50°C:

$$P_{MAIN} = \frac{1.6V}{22V} (3)^2 \left[ 1 + (0.005)(50^\circ C - 25^\circ C) \right] (0.042\Omega) + 2.5(22V)^{1.85} (3A)(100pF)(250kHz) = 88mW$$

The most stringent requirement for the synchronous N-channel MOSFET occurs when  $V_{OUT} = 0$  (i.e. short circuit). In this case the worst-case dissipation rises to:

$$P_{SYNC} = (I_{SC(AVG)})^2 (1 + \delta) R_{DS(ON)}$$

With the 0.033 $\Omega$  sense resistor  $I_{SC(AVG)} = 4A$  will result, increasing the Si4412DY dissipation to 950mW at a die temperature of 105°C.

$C_{IN}$  is chosen for an RMS current rating of at least 1.5A at temperature.  $C_{OUT}$  is chosen with an ESR of 0.03 $\Omega$  for low output ripple. The output ripple in continuous mode will be highest at the maximum input voltage. The output voltage ripple due to ESR is approximately:

$$V_{ORIPPLE} = R_{ESR}(\Delta I_L) = 0.03\Omega(1.3A) = 39mV_{P-P}$$

### PC Board Layout Checklist

When laying out the printed circuit board, the following checklist should be used to ensure proper operation of the LTC1435A. These items are also illustrated graphically in the layout diagram of Figure 10. Check the following in your layout:

1. Are the signal and power grounds segregated? The LTC1435A signal ground pin must return to the (-) plate of  $C_{OUT}$ . The power ground connects to the source of the bottom N-channel MOSFET, anode of the Schottky diode, and (-) plate of  $C_{IN}$ , which should have as short lead lengths as possible.
2. Does the  $V_{OSENSE}$  pin connect directly to the feedback resistors? The resistive divider R1, R2 must be connected between the (+) plate of  $C_{OUT}$  and signal ground. The 100pF capacitor should be as close as possible to the LTC1435A.
3. Are the  $SENSE^-$  and  $SENSE^+$  leads routed together with minimum PC trace spacing? The filter capacitor between  $SENSE^+$  and  $SENSE^-$  should be as close as possible to the LTC1435A.

## APPLICATIONS INFORMATION

- Does the (+) plate of  $C_{IN}$  connect to the drain of the topside MOSFET(s) as closely as possible? This capacitor provides the AC current to the MOSFET(s).
- Keep the switching node SW away from sensitive small-signal nodes. Ideally the switch node should be placed at the furthest point from the LTC1435A.
- SGND should be exclusively used for grounding external components on  $C_{OSC}$ ,  $I_{TH}$ ,  $V_{OSENSE}$  and SFB pins.
- If operating close to the minimum on-time limit, is the sense resistor oriented on the radial axis of the inductor? See Figure 8.

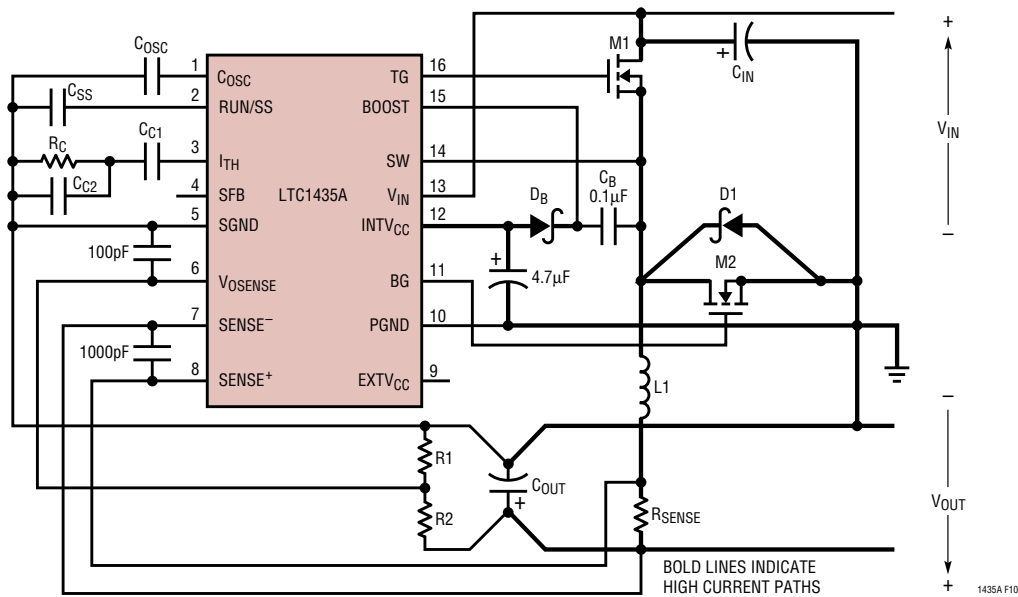
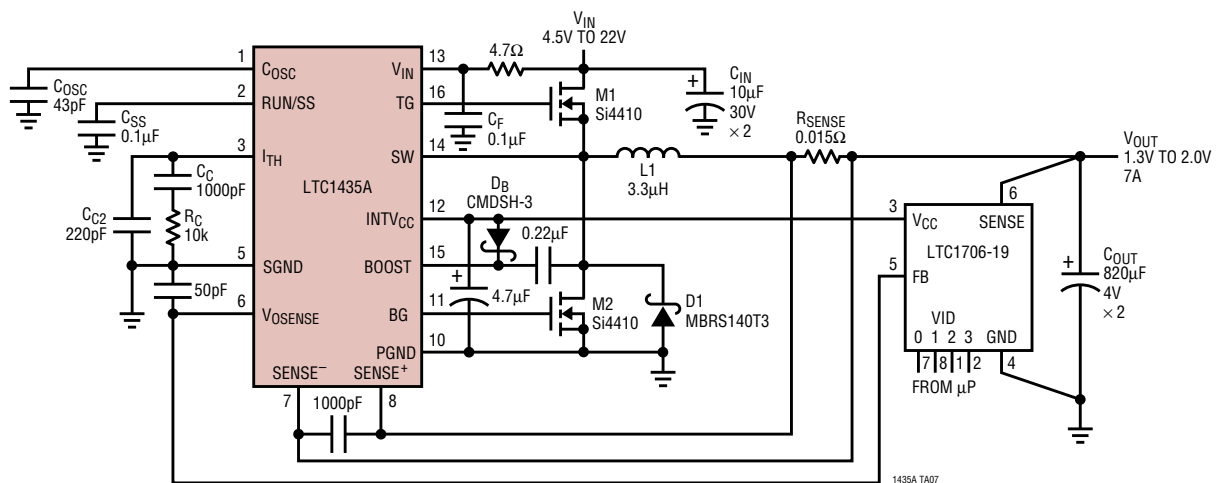


Figure 10. LTC1435A Layout Diagram

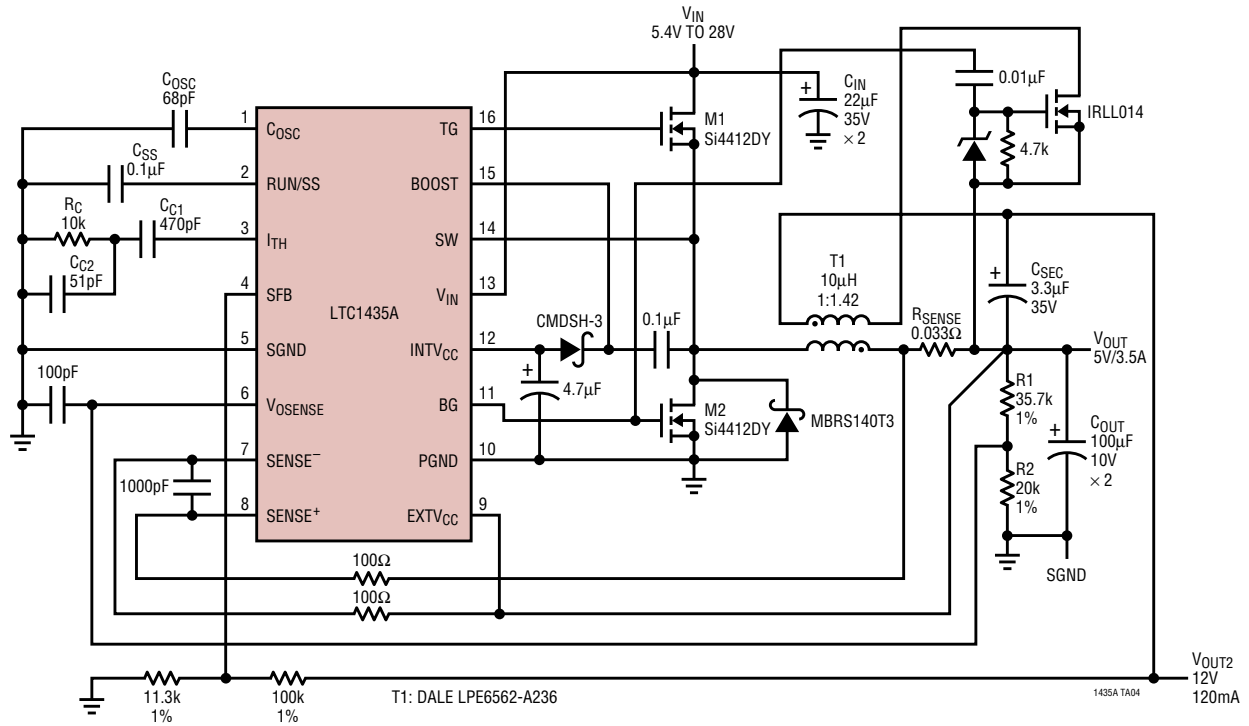
## TYPICAL APPLICATIONS

### Intel Mobile CPU VID Power Converter

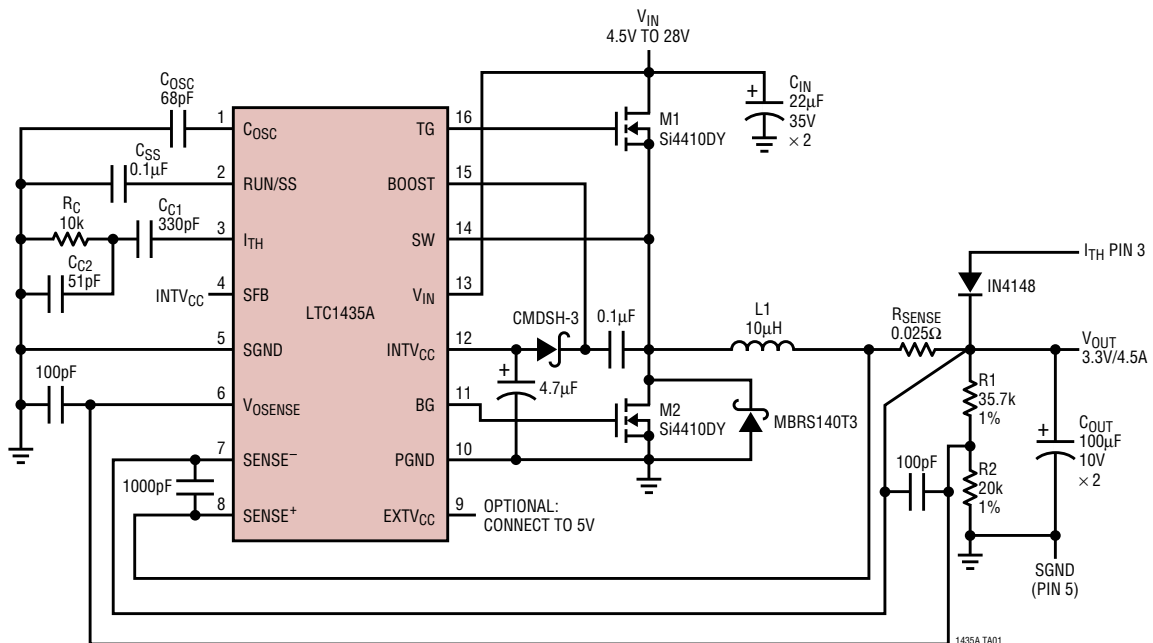


# TYPICAL APPLICATIONS

## Dual Output 5V and Synchronous 12V Application



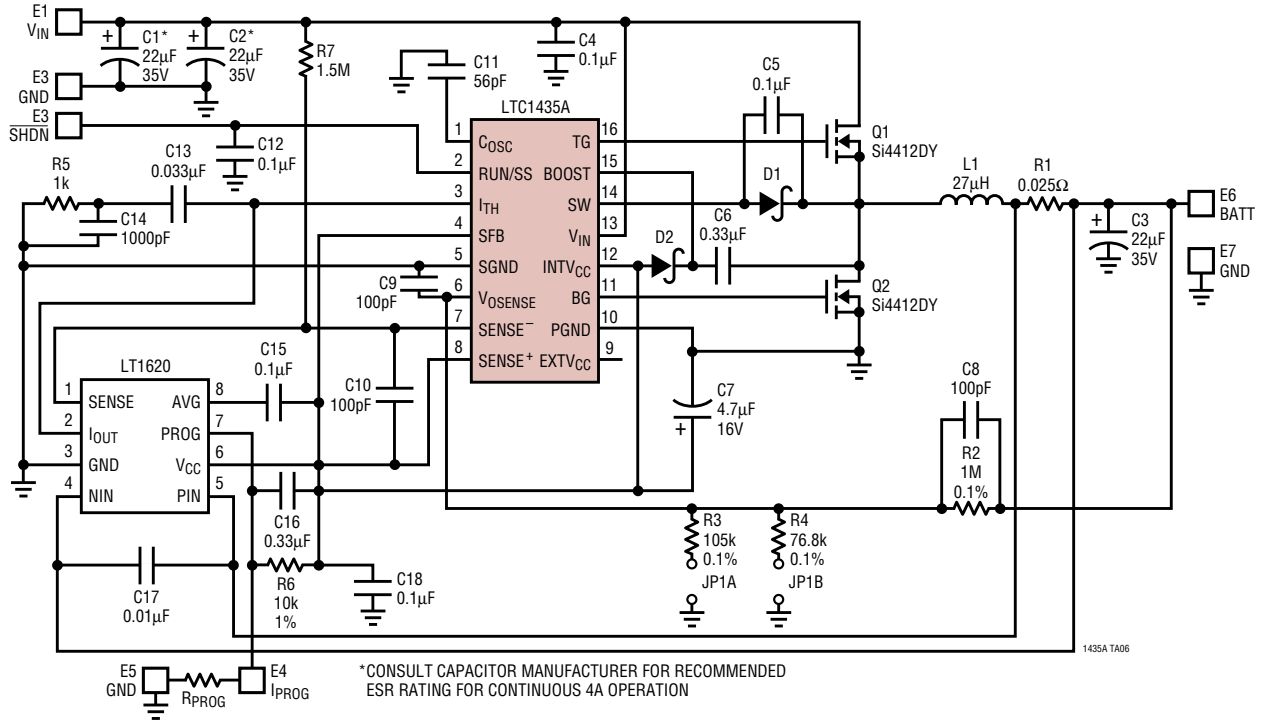
## 3.3V/4.5A Converter with Foldback Current Limiting





## TYPICAL APPLICATIONS

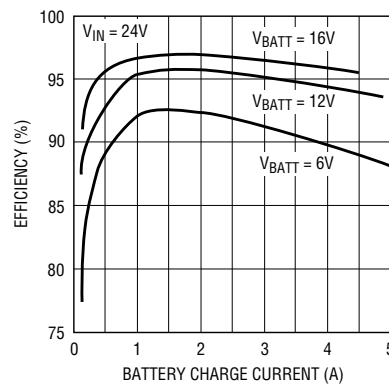
### Constant-Current/Constant-Voltage High Efficiency Battery Charger



#### Current Programming Equation

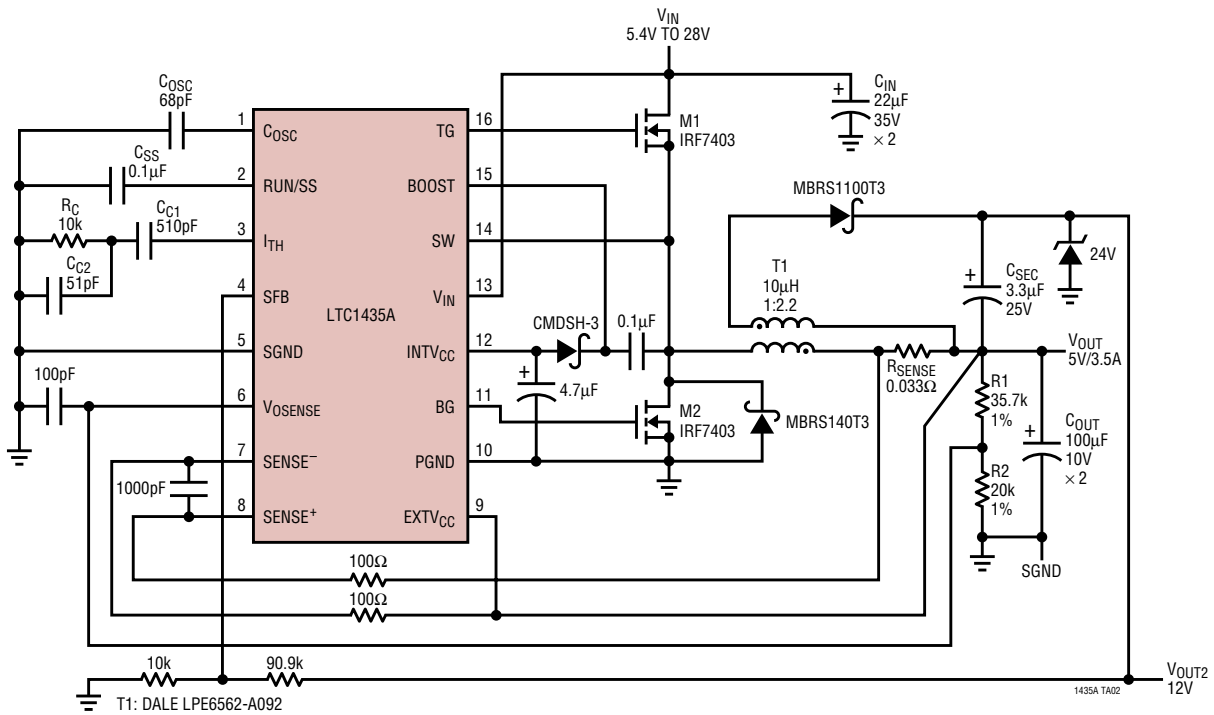
$$I_{BATT} = \frac{(I_{PROG})(R6) - 0.04}{10(R1)}$$

#### Efficiency



# TYPICAL APPLICATIONS

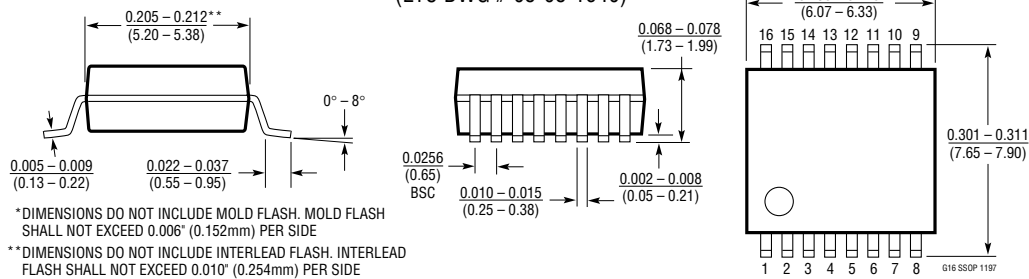
## Dual Output 5V and 12V Application



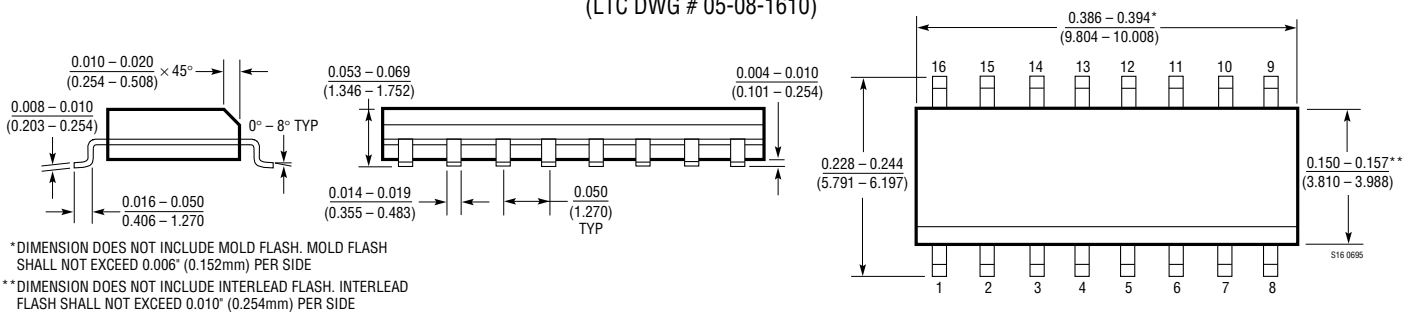
# PACKAGE DESCRIPTION

Dimensions in inches (millimeters) unless otherwise noted.

### G Package 16-Lead Plastic SSOP (0.209) (LTC DWG # 05-08-1640)

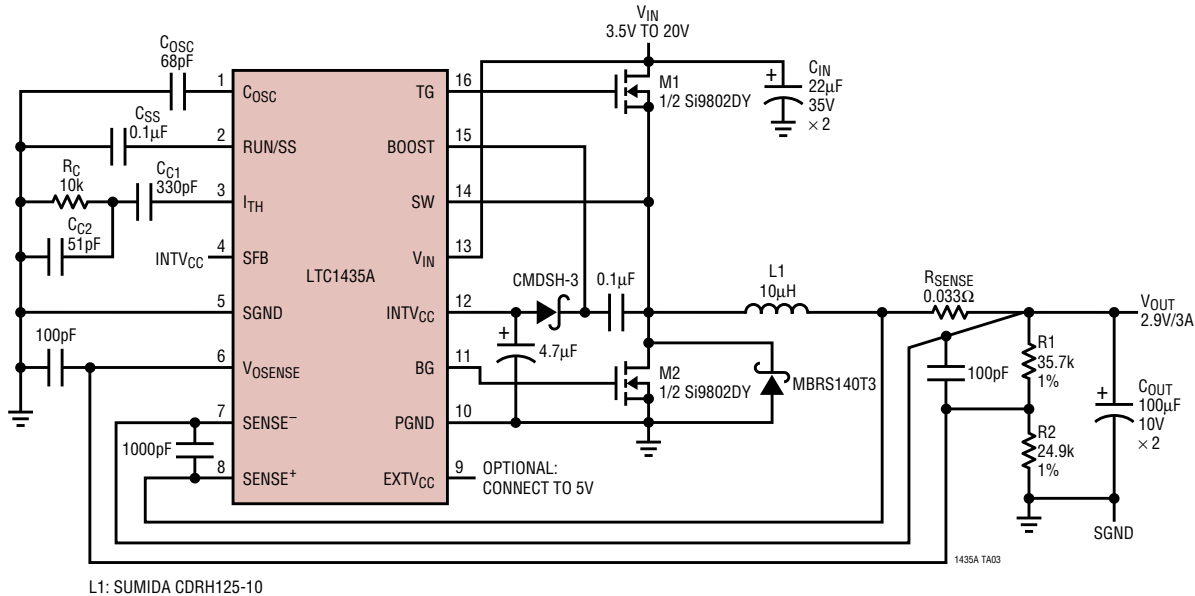


### S Package 16-Lead Plastic Small Outline (Narrow 0.150) (LTC DWG # 05-08-1610)



## TYPICAL APPLICATION

### Low Dropout 2.9V/3A Converter



## RELATED PARTS

PART NUMBER	DESCRIPTION	COMMENTS
LTC1142HV/LTC1142	Dual High Efficiency Synchronous Step-Down Switching Regulators	Dual Synchronous, $V_{IN} \leq 20V$
LTC1148HV/LTC1148	High Efficiency Synchronous Step-Down Switching Regulator Controllers	Synchronous, $V_{IN} \leq 20V$
LTC1159	High Efficiency Synchronous Step-Down Switching Regulator	Synchronous, $V_{IN} \leq 40V$ , For Logic Threshold FETs
LT <sup>®</sup> 1375/LT1376	1.5A, 500kHz Step-Down Switching Regulators	High Frequency, Small Inductor, High Efficiency Switchers, 1.5A Switch
LTC1430	High Power Step-Down Switching Regulator Controller	High Efficiency 5V to 3.3V Conversion at Up to 15A
LTC1436A/LTC1436A-PLL/ LTC1437A	High Efficiency Low Noise Synchronous Step-Down Switching Regulators	Full-Featured Single Controller
LTC1438/LTC1439	Dual High Efficiency, Low Noise, Synchronous Step-Down Switching Regulators	Full-Featured Dual Controllers
LT1510	Constant-Voltage/ Constant-Current Battery Charger	1.3A, Li-Ion, NiCd, NiMH, Pb-Acid Charger
LTC1538-AUX	Dual High Efficiency, Low Noise, Synchronous Step-Down Switching Regulator	5V Standby in Shutdown
LTC1539	Dual High Efficiency, Low Noise, Synchronous Step-Down Switching Regulator	5V Standby in Shutdown
LTC1706-19	VID Voltage Programmer	Creates a Programmable 1.3V to 2V Supply for Intel Mobile Pentium <sup>®</sup> II Processor When Used with the LTC1435A

Pentium is a registered trademark of Intel Corporation.