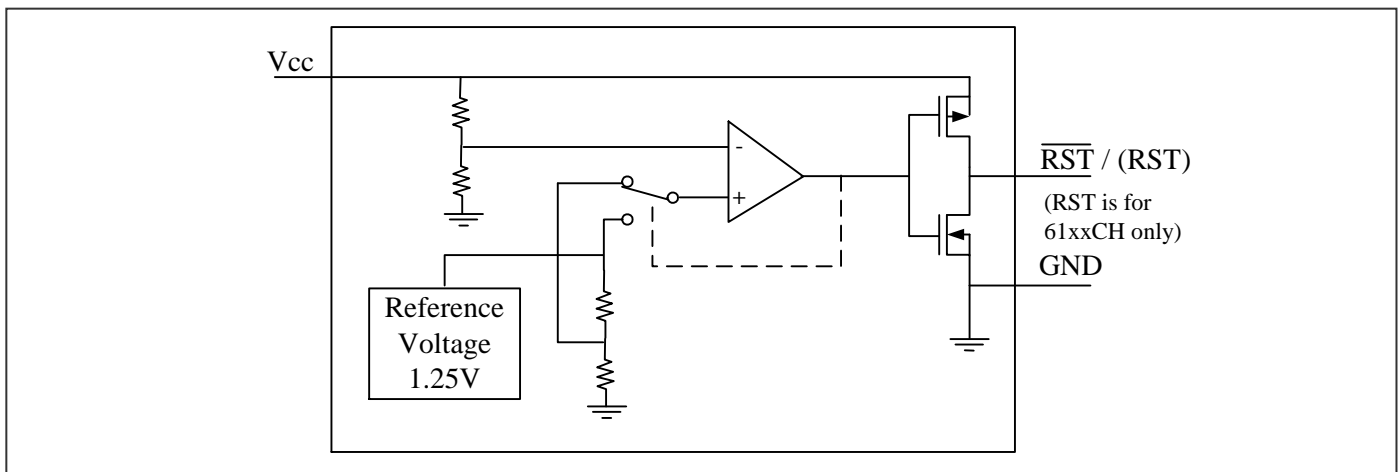


Pin Description

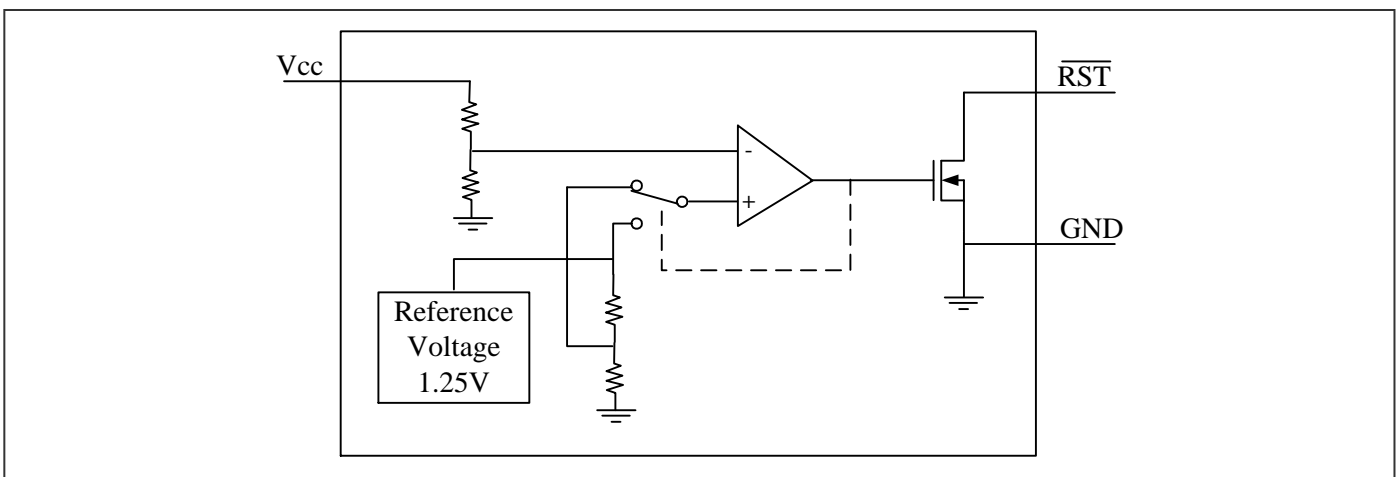
Name	Type	Description
$\overline{\text{RST}}$	O	Reset Output (PT7M61xxCL/NL): $\overline{\text{RST}}$ is asserted when V_{CC} drops below voltage threshold V_{TH} . Active low.
RST	O	Reset Output (PT7M61xxCH): RST is asserted when V_{CC} drops below voltage threshold V_{TH} . Active high.
GND	P	Ground
V_{CC}	P	Supply Voltage.

Block Diagram

Block Diagram of PT7M61xxCL/CH



Block Diagram of PT7M61xxNL



Maximum Ratings

Storage Temperature	-65°C to +150°C
Ambient Temperature with Power Applied.....	-40°C to +85°C
Supply Voltage to Ground Potential (V _{CC} to GND)	-0.3V to +6.0V
DC Input Voltage (All inputs except V _{CC} and GND).....	-0.3V to V _{CC} +0.3V
DC Output Current (All outputs)	20mA
Power Dissipation	320mW (Depend on package)

Note:

Stresses greater than those listed under MAXIMUM RATINGS may cause permanent damage to the device. This is a stress rating only and functional operation of the device at these or any other conditions above those indicated in the operational sections of this specification is not implied. Exposure to absolute maximum rating conditions for extended periods may affect reliability.

DC Electrical Characteristics

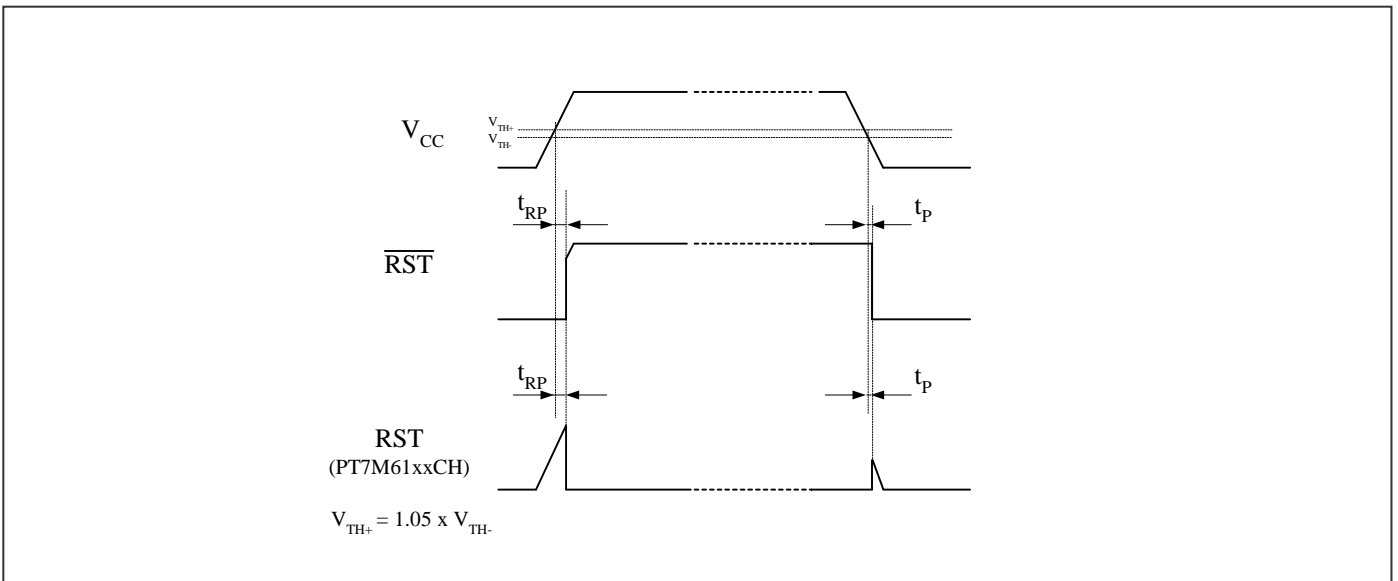
(V_{CC} = 1.2V to 5.5V, T_A = -40~85 °C, unless otherwise noted. Typical values are at T_A = +25 °C)

Description		Sym.	Test Conditions	Min	Typ	Max	Unit
Supply Voltage		V _{CC}	T _A = 0~70 °C	1.0	-	5.5	V
			T _A = -40~85 °C	1.2	-	5.5	
Supply Current		I _{CC}	V _{CC} = 3.6V. No load.	-	1.0	3.0	μA
			V _{CC} = 5V. No load.	-	1.3	3.6	μA
Output Driving	Output high	V _{OH}	V _{CC} ≥ 1.8V, I _{source} = 1mA	0.8×V _{CC}	-	-	V
			V _{CC} ≥ 2.5V, I _{source} = 3mA	0.8×V _{CC}	-	-	
			V _{CC} ≥ 4.5V, I _{source} = 8mA	0.8×V _{CC}	-	-	
	Output low	V _{OL}	V _{CC} ≥ 1.2V, I _{sink} = 1mA	-	-	0.3	V
			V _{CC} ≥ 2.5V, I _{sink} = 4mA	-	-	0.3	
			V _{CC} ≥ 4.5V, I _{sink} = 9mA	-	-	0.4	
Open-Drain Output Leakage Current		I _{LKG}	-	-	-	1	μA
Voltage Threshold		V _{TH-}	+25°C	(V _{TH-}) ×0.985	V _{TH-}	(V _{TH-}) ×1.015	V
			-40°C~85°C	(V _{TH-}) ×0.975	V _{TH-}	(V _{TH-}) ×1.025	
		V _{TH+}	+25°C	(V _{TH+}) ×0.985	V _{TH+}	(V _{TH+}) ×1.015	
			-40°C~85°C	(V _{TH+}) ×0.975	V _{TH+}	(V _{TH+}) ×1.025	
voltage threshold Hysteresis		V _{HYST}	V _{HYST} = [(V _{TH+})-(V _{TH-})]/(V _{TH-}) ×100%	3	4.5	6	%
			-	-	1	-	

Note: V_{TH+} = 1.05 × V_{TH-}. V_{TH-} is voltage threshold when V_{CC} falls from high to low. V_{TH+} is voltage threshold when V_{CC} rises from low to high.

AC Electrical Characteristics

Timing diagram

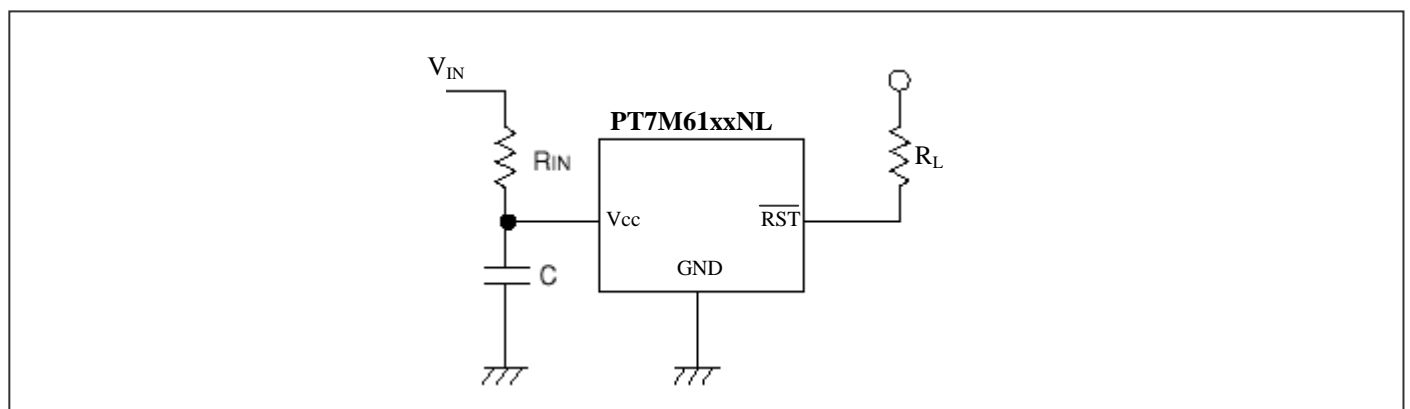


($V_{CC} = 1.2V$ to $5.5V$, $T_A = -40 \sim 85 \text{ }^\circ\text{C}$, unless otherwise noted. Typical values are at $T_A = +25 \text{ }^\circ\text{C}$)

Sym.	Description	Test Conditions	Min	Typ	Max	Unit
t_{RP}	Timeout Period	-	-	-	200	μs
t_p	Delay	-	-	50	-	μs
$t_{\text{overdrive}}$	V_{CC} Maximum Transient Duration	Reset threshold overdrive=500mV ($V_{CC} - V_{th} = -500\text{mV}$)	-	20	-	μs

Typical Operation Circuit

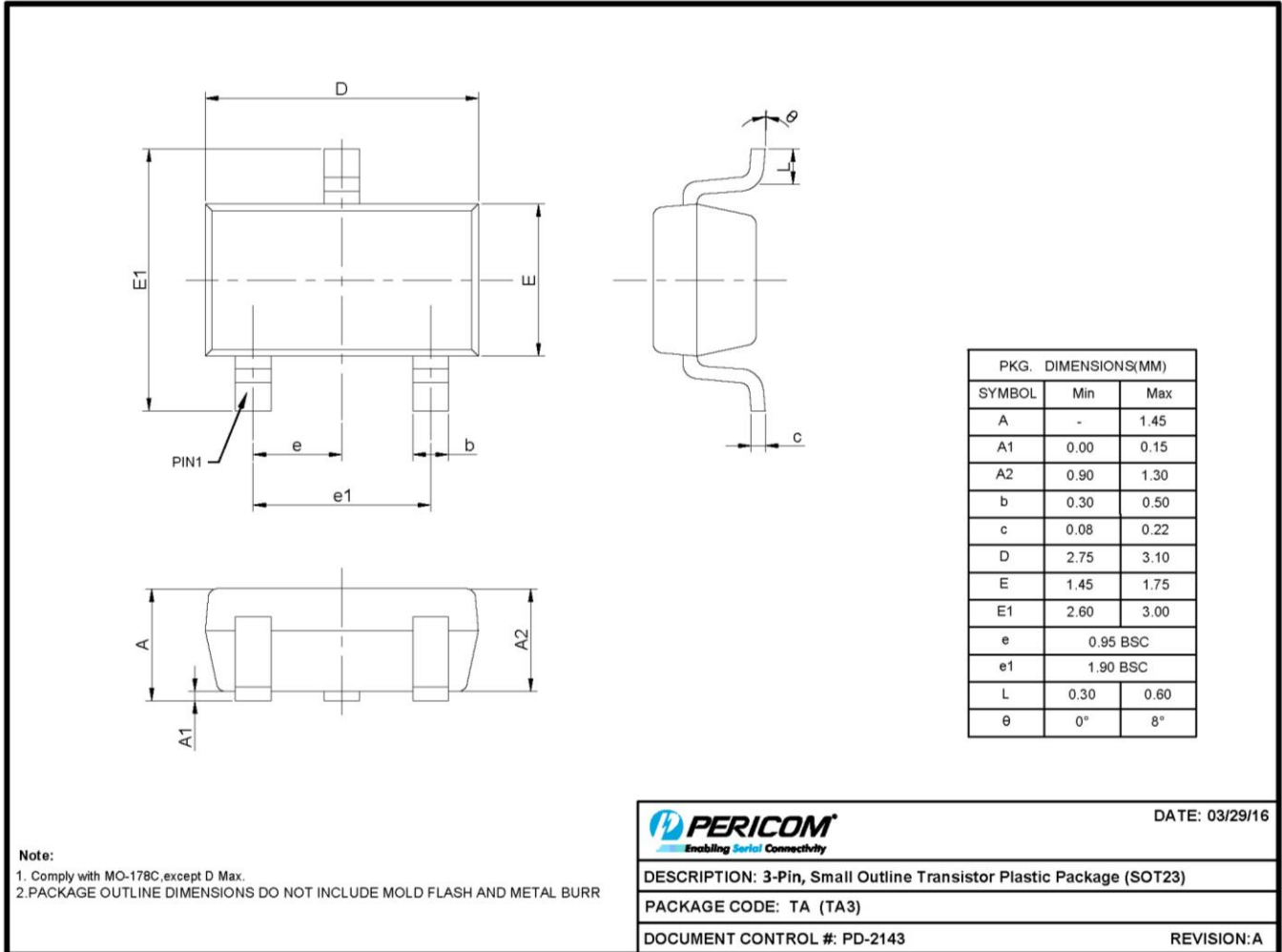
PT7M61xxNL Application Example



Please use N-ch open drains configuration, when a resistor R_{IN} is connected between the V_{CC} pin and power source V_{IN} . In such cases, please ensure that R_{IN} is less than $10\text{k}\Omega$ and that C is more than $0.1\mu\text{F}$. R_L could be $1\text{k}\Omega$ to $510\text{k}\Omega$.

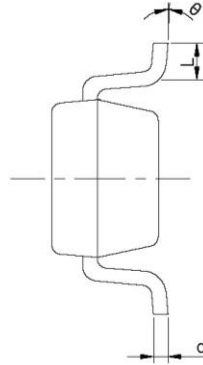
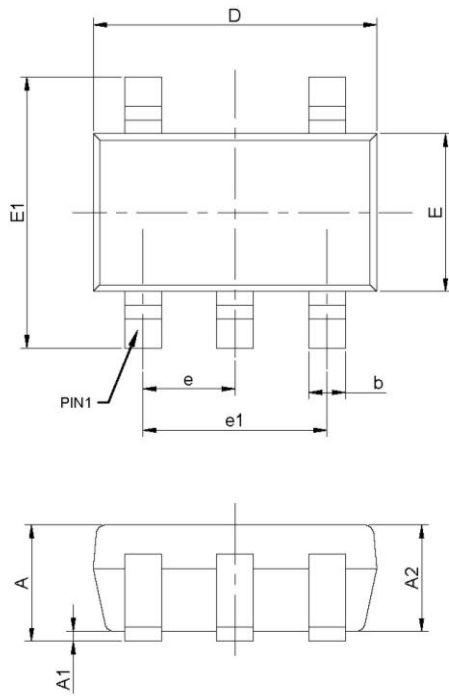
Mechanical Information

TA3 (SOT23-3)



16-0080

TA5 (SOT23-5)



PKG. DIMENSIONS(MM)		
SYMBOL	Min	Max
A	-	1.45
A1	0.00	0.15
A2	0.90	1.30
b	0.30	0.50
c	0.08	0.22
D	2.75	3.05
E	1.45	1.75
E1	2.60	3.00
e	0.95 BSC	
e1	1.90 BSC	
L	0.30	0.60
θ	0°	8°

Note:

1. Ref: JEDEC MO-178C/AA
2. PACKAGE OUTLINE DIMENSIONS DO NOT INCLUDE MOLD FLASH AND METAL BUR



DATE: 03/29/16

DESCRIPTION: 5-Pin, Small Outline Transistor Plastic Package (SOT23)

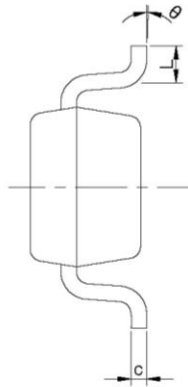
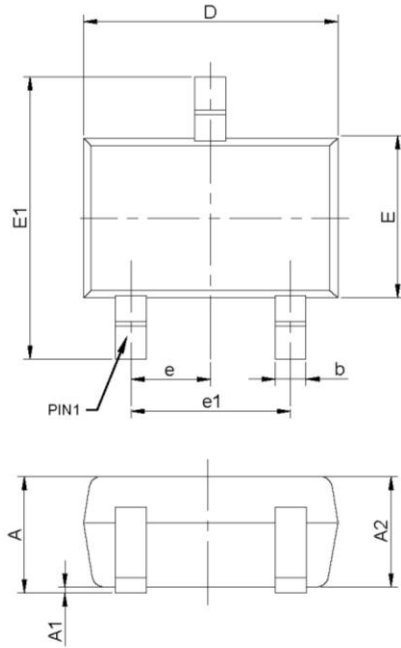
PACKAGE CODE: TA (TA5)

DOCUMENT CONTROL #: PD-2144

REVISION: A

16-0081

C3 (SC70-3)



PKG. DIMENSIONS(MM)		
SYMBOL	Min	Max
A	-	1.10
A1	0.00	0.10
A2	0.70	1.00
b	0.15	0.40
c	0.08	0.22
D	1.80	2.20
E	1.10	1.40
E1	1.75	2.45
e	0.65 BSC	
e1	1.30 BSC	
L	0.26	0.46
θ	0°	8°

Note:

1. Comply with MO-203C, except b Max, D Min, D Max, E1 Min and E1 Max.
2. PACKAGE OUTLINE DIMENSIONS DO NOT INCLUDE MOLD FLASH AND METAL BURR



DATE: 03/29/16

DESCRIPTION: 3-Pin, SOT323 (SC70)

PACKAGE CODE: C (C3)

DOCUMENT CONTROL#: PD-2147

REVISION: A

16-0077

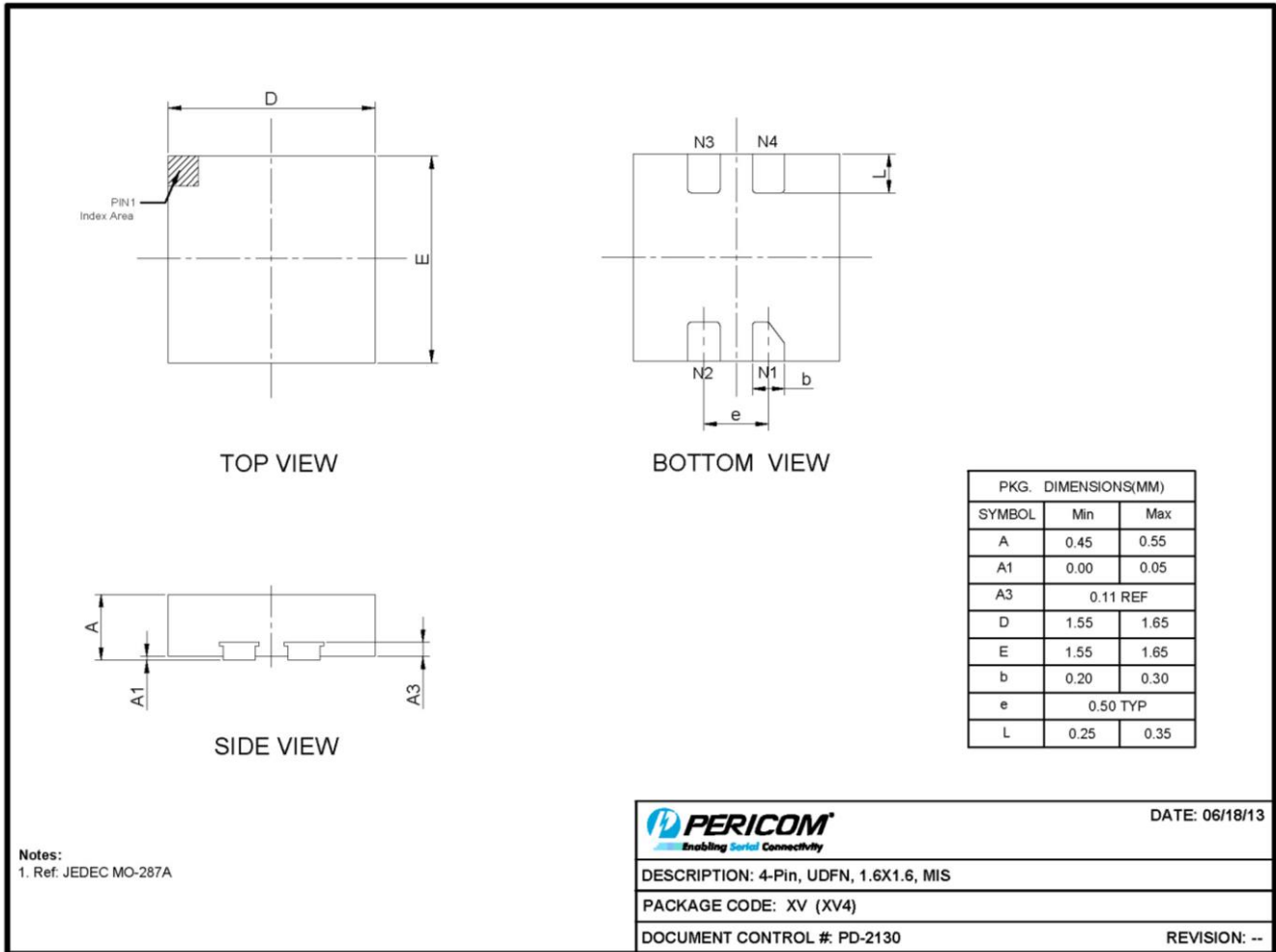
C4 (SC70-4)

PKG. DIMENSIONS(MM)		
SYMBOL	Min	Max
A	0.90	1.10
A1	0.00	0.10
A2	0.90	1.00
b	0.25	0.40
b1	0.35	0.50
c	0.08	0.15
D	2.00	2.20
d	0.05 TYP	
E	1.15	1.35
E1	2.15	2.45
e	0.65 TYP	
e1	1.20	1.40
L	0.26	0.46
θ	0°	8°

<p>Notes:</p> <p>1. Ref. JEDEC MO-203B</p>		DATE: 06/18/13
	DESCRIPTION: 4-Pin, SOT343 (SC70)	
	PACKAGE CODE: C (C4)	
	DOCUMENT CONTROL# PD-2148	REVISION: --

13-0187

XV (UDFN1.6x1.6-4L)



13-0169

For latest package info.

please check: <http://www.diodes.com/design/support/packaging/pericom-packaging/packaging-mechanicals-and-thermal-characteristics/>

Ordering Information

Part Number	Package Code	Package
PT7M61xxCLTA3E	TA3	3-Pin, Small Outline Transistor Plastic Package (SOT23)
PT7M61xxCLTA5E	TA5	5-Pin, Small Outline Transistor Plastic Package (SOT23)
PT7M61xxCLC3E	C3	3-Pin, SOT323 (SC70)
PT7M61xxCLC4E	C4	4-Pin, SOT343 (SC70)
*PT7M61xxCHTA3E	TA3	Lead free and Green SOT23-3
*PT7M61xxCHTA5E	TA5	5-Pin, Small Outline Transistor Plastic Package (SOT23)
*PT7M61xxCHC3E	C3	3-Pin, SOT323 (SC70)
*PT7M61xxCHC4E	C4	4-Pin, SOT343 (SC70)
PT7M61xxNLTA3E	TA3	3-Pin, Small Outline Transistor Plastic Package (SOT23)
PT7M61xxNLTA5E	TA5	5-Pin, Small Outline Transistor Plastic Package (SOT23)
PT7M61xxNLC3E	C3	3-Pin, SOT323 (SC70)
PT7M61xxNLC4E	C4	4-Pin, SOT343 (SC70)
PT7M61xxCLETA3E	TA3	3-Pin, Small Outline Transistor Plastic Package (SOT23)
PT7M61xxCLETA5E	TA5	5-Pin, Small Outline Transistor Plastic Package (SOT23)
PT7M61xxCLEC3E	C3	3-Pin, SOT323 (SC70)
PT7M61xxCLEC4E	C4	4-Pin, SOT343 (SC70)
*PT7M61xxCHETA3E	TA3	3-Pin, Small Outline Transistor Plastic Package (SOT23)
*PT7M61xxCHETA5E	TA5	5-Pin, Small Outline Transistor Plastic Package (SOT23)
*PT7M61xxCHEC3E	C3	3-Pin, SOT323 (SC70)
*PT7M61xxCHEC4E	C4	4-Pin, SOT343 (SC70)
PT7M61xxNLETA3E	TA3	3-Pin, Small Outline Transistor Plastic Package (SOT23)
PT7M61xxNLETA5E	TA5	5-Pin, Small Outline Transistor Plastic Package (SOT23)
PT7M61xxNLEC3E	C3	3-Pin, SOT323 (SC70)
PT7M61xxNLEC4E	C4	4-Pin, SOT343 (SC70)
PT7M61xxNLEXVE	XV	4-Pin, 1.6x1.6, MIS (UDFN)
PT7M61xxNLXVE	XV	4-Pin, 1.6x1.6, MIS (UDFN)
PT7M61xxCLXVE	XV	4-Pin, 1.6x1.6, MIS (UDFN)
PT7M61xxCLEXVE	XV	4-Pin, 1.6x1.6, MIS (UDFN)
*PT7M61xxCHXVE	XV	4-Pin, 1.6x1.6, MIS (UDFN)
*PT7M61xxCHEXVE	XV	4-Pin, 1.6x1.6, MIS (UDFN)

Notes:

- 1: "xx" refer to voltage range, see below table 1.
- 2: Adding E suffix=1% Hysteresis. For example: PT7M61xxCLETA3E.
- 3: None E suffix=5% Hysteresis. For example: PT7M61xxCLTA3E.
- 4: E = Pb-free and Green
- 5: Adding X Suffix= Tape/Reel
- 6: Contact Pericom for availability
- 7: "*" for CH part, please check the storage with related sales.

Table 1 Function comparison

Item	Part No.	Reset Output				Threshold
		Open-Drain		Push-Pull		
		Active high	Active low	Active high	Active low	
1	PT7M61xxCL	-	-	-	√	1.8V to 5.0V in 100mV increments
2	PT7M61xxCH	-	-	√	-	
3	PT7M61xxNL	-	√	-	-	

Table 2 Suffix “xx” definition of PT7M61xx

Suffix xx	V _{TH} (V)	Suffix xx	V _{TH} (V)	Suffix xx	V _{TH} (V)	Suffix xx	V _{TH} (V)	Suffix xx	V _{TH} (V)
18	1.8	25	2.5	32	3.2	39	3.9	46	4.6
19	1.9	26	2.6	33	3.3	40	4.0	47	4.7
20	2.0	27	2.7	34	3.4	41	4.1	48	4.8
21	2.1	28	2.8	35	3.5	42	4.2	49	4.9
22	2.2	29	2.9	36	3.6	43	4.3	50	5.0
23	2.3	30	3.0	37	3.7	44	4.4		
24	2.4	31	3.1	38	3.8	45	4.5		

IMPORTANT NOTICE

DIODES INCORPORATED MAKES NO WARRANTY OF ANY KIND, EXPRESS OR IMPLIED, WITH REGARDS TO THIS DOCUMENT, INCLUDING, BUT NOT LIMITED TO, THE IMPLIED WARRANTIES OF MERCHANTABILITY AND FITNESS FOR A PARTICULAR PURPOSE (AND THEIR EQUIVALENTS UNDER THE LAWS OF ANY JURISDICTION).

Diodes Incorporated and its subsidiaries reserve the right to make modifications, enhancements, improvements, corrections or other changes without further notice to this document and any product described herein. Diodes Incorporated does not assume any liability arising out of the application or use of this document or any product described herein; neither does Diodes Incorporated convey any license under its patent or trademark rights, nor the rights of others. Any Customer or user of this document or products described herein in such applications shall assume all risks of such use and will agree to hold Diodes Incorporated and all the companies whose products are represented on Diodes Incorporated website, harmless against all damages.

Diodes Incorporated does not warrant or accept any liability whatsoever in respect of any products purchased through unauthorized sales channel.

Should Customers purchase or use Diodes Incorporated products for any unintended or unauthorized application, Customers shall indemnify and hold Diodes Incorporated and its representatives harmless against all claims, damages, expenses, and attorney fees arising out of, directly or indirectly, any claim of personal injury or death associated with such unintended or unauthorized application.

Products described herein may be covered by one or more United States, international or foreign patents pending. Product names and markings noted herein may also be covered by one or more United States, international or foreign trademarks.

This document is written in English but may be translated into multiple languages for reference. Only the English version of this document is the final and determinative format released by Diodes Incorporated.

LIFE SUPPORT

Diodes Incorporated products are specifically not authorized for use as critical components in life support devices or systems without the express written approval of the Chief Executive Officer of Diodes Incorporated. As used herein:

A. Life support devices or systems are devices or systems which:

1. are intended to implant into the body, or
2. support or sustain life and whose failure to perform when properly used in accordance with instructions for use provided in the labeling can be reasonably expected to result in significant injury to the user.

B. A critical component is any component in a life support device or system whose failure to perform can be reasonably expected to cause the failure of the life support device or to affect its safety or effectiveness.

Customers represent that they have all necessary expertise in the safety and regulatory ramifications of their life support devices or systems, and acknowledge and agree that they are solely responsible for all legal, regulatory and safety-related requirements concerning their products and any use of Diodes Incorporated products in such safety-critical, life support devices or systems, notwithstanding any devices- or systems-related information or support that may be provided by Diodes Incorporated. Further, Customers must fully indemnify Diodes Incorporated and its representatives against any damages arising out of the use of Diodes Incorporated products in such safety-critical, life support devices or systems.

Copyright © 2016, Diodes Incorporated
www.diodes.com