

# MCP4021/2/3/4

## 1.0 ELECTRICAL CHARACTERISTICS

### Absolute Maximum Ratings †

|  |                                     |
|--|-------------------------------------|
| $V_{DD}$ .....   | 6.5V                                |
| $\overline{CS}$ and $U/\overline{D}$ inputs w.r.t $V_{SS}$ ..... | -0.3V to 12.5V                      |
| A, B and W terminals w.r.t $V_{SS}$ .....                        | -0.3V to $V_{DD} + 0.3V$            |
| Current at Input Pins .....                                      | $\pm 10$ mA                         |
| Current at Supply Pins .....                                     | $\pm 10$ mA                         |
| Current at Potentiometer Pins .....                              | $\pm 2.5$ mA                        |
| Storage temperature .....  | -65°C to +150°C                     |
| Ambient temp. with power applied .....                           | -55°C to +125°C                     |
| ESD protection on all pins .....                                 | $\geq 4$ kV (HBM), $\geq 400V$ (MM) |
| Maximum Junction Temperature ( $T_J$ ).....                      | +150°C                              |

† **Notice:** Stresses above those listed under “Maximum Ratings” may cause permanent damage to the device. This is a stress rating only and functional operation of the device at those or any other conditions above those indicated in the operational listings of this specification is not implied. Exposure to maximum rating conditions for extended periods may affect device reliability.

### AC/DC CHARACTERISTICS

**Electrical Specifications:** Unless otherwise indicated, all parameters apply across the specified operating ranges.  $T_A = -40^\circ\text{C}$  to  $+125^\circ\text{C}$ , 2.1 k $\Omega$ , 5 k $\Omega$ , 10 k $\Omega$  and 50 k $\Omega$  devices. Typical specifications represent values for  $V_{DD} = 5.5V$ ,  $V_{SS} = 0V$ ,  $T_A = +25^\circ\text{C}$ .

| Parameters                    | Sym      | Min      | Typ           | Max  | Units         | Conditions   |
|-------------------------------|----------|----------|---------------|------|---------------|--|
| Operating Voltage Range       | $V_{DD}$ | 2.7      | —             | 5.5  | V             |  |
| $\overline{CS}$ Input Voltage | $V_{CS}$ | $V_{SS}$ | —             | 12.5 | V             | The $\overline{CS}$ pin will be at one of three input levels ( $V_{IL}$ , $V_{IH}$ or $V_{IHH}$ ). <b>(Note 6)</b> |
| Supply Current                | $I_{DD}$ | —        | 45            | —    | $\mu\text{A}$ | 5.5V, $\overline{CS} = V_{SS}$ , $f_{U/\overline{D}} = 1$ MHz  |
|                               |          | —        | 15            | —    | $\mu\text{A}$ | 2.7V, $\overline{CS} = V_{SS}$ , $f_{U/\overline{D}} = 1$ MHz  |
|                               |          | —        | 0.3           | 1    | $\mu\text{A}$ | Serial Interface Inactive ( $\overline{CS} = V_{IH}$ , $U/\overline{D} = V_{IH}$ )                                 |
|                               |          | —        | 0.6           | 3    | mA            | EE Write cycle, $T_A = +25^\circ\text{C}$  |
| Resistance ( $\pm 20\%$ )     | $R_{AB}$ | 1.68     | 2.1           | 2.52 | k $\Omega$    | -202 devices <b>(Note 1)</b>   |
|                               |          | 4.0      | 5             | 6.0  | k $\Omega$    | -502 devices <b>(Note 1)</b>   |
|                               |          | 8.0      | 10            | 12.0 | k $\Omega$    | -103 devices <b>(Note 1)</b>   |
|                               |          | 40.0     | 50            | 60.0 | k $\Omega$    | -503 devices <b>(Note 1)</b>   |
| Resolution                    | N        | 64       |               |      | Taps          | No Missing Codes   |
| Step Resistance               | $R_S$    | —        | $R_{AB} / 63$ | —    | $\Omega$      | <b>Note 6</b>  |

- Note 1:** Resistance is defined as the resistance between terminal A to terminal B.  
**Note 2:** INL and DNL are measured at  $V_W$  with  $V_A = V_{DD}$  and  $V_B = V_{SS}$ . (-202 devices  $V_A = 4V$ ).  
**Note 3:** **MCP4021/23** only, test conditions are:  $I_W = 1.9$  mA, code = 00h.  
**Note 4:** **MCP4022/24** only, test conditions are:

| Device Resistance | Current at Voltage |                   | Comments   |
|-------------------|--------------------|-------------------|--|
|                   | 5.5V               | 2.7V              |  |
| 2.1 k $\Omega$    | 2.25 mA            | 1.1 mA            | <b>MCP4022</b> includes $V_{WZSE}$<br><b>MCP4024</b> includes $V_{WFSE}$ |
| 5 k $\Omega$      | 1.4 mA             | 450 $\mu\text{A}$ |  |
| 10 k $\Omega$     | 450 $\mu\text{A}$  | 210 $\mu\text{A}$ |  |
| 50 k $\Omega$     | 90 $\mu\text{A}$   | 40 $\mu\text{A}$  |  |

- Note 5:** Resistor terminals A, W and B's polarity with respect to each other is not restricted.  
**Note 6:** This specification by design  
**Note 7:** Non-linearity is affected by wiper resistance ( $R_W$ ), which changes significantly over voltage and temperature. See **Section 6.0 “Resistor”** for additional information.  
**Note 8:** The **MCP4021** is externally connected to match the configurations of the **MCP4022** and **MCP4024**, and then tested.

## AC/DC CHARACTERISTICS (CONTINUED)

**Electrical Specifications:** Unless otherwise indicated, all parameters apply across the specified operating ranges.  $T_A = -40^\circ\text{C}$  to  $+125^\circ\text{C}$ , 2.1 k $\Omega$ , 5 k $\Omega$ , 10 k $\Omega$  and 50 k $\Omega$  devices. Typical specifications represent values for  $V_{DD} = 5.5\text{V}$ ,  $V_{SS} = 0\text{V}$ ,  $T_A = +25^\circ\text{C}$ .

| Parameters   | Sym                      | Min      | Typ        | Max      | Units                 | Conditions   |                                |
|--|--------------------------|----------|------------|----------|-----------------------|--|--------------------------------|
| Wiper Resistance (Note 3, Note 4)                            | $R_W$                    | —        | 70         | 125      | $\Omega$              | 5.5V   |                                |
|  |                          | —        | 70         | 325      | $\Omega$              | 2.7V   |                                |
| Nominal Resistance Tempco                                    | $\Delta R/\Delta T$      | —        | 50         | —        | ppm/ $^\circ\text{C}$ | $T_A = -20^\circ\text{C}$ to $+70^\circ\text{C}$   |                                |
|  |                          | —        | 100        | —        | ppm/ $^\circ\text{C}$ | $T_A = -40^\circ\text{C}$ to $+85^\circ\text{C}$   |                                |
|  |                          | —        | 150        | —        | ppm/ $^\circ\text{C}$ | $T_A = -40^\circ\text{C}$ to $+125^\circ\text{C}$  |                                |
| Ratiometric Tempco   | $\Delta V_{WA}/\Delta T$ | —        | 10         | —        | ppm/ $^\circ\text{C}$ | <b>MCP4021</b> and <b>MCP4023</b> only, code = 1Fh |                                |
| Full-Scale Error   | $V_{WFSE}$               | -0.5     | -0.1       | +0.5     | LSb                   | Code 3Fh ( <b>MCP4021/23</b> only)                 |                                |
| Zero-Scale Error   | $V_{WZSE}$               | -0.5     | +0.1       | +0.5     | LSb                   | Code 00h ( <b>MCP4021/23</b> only)                 |                                |
| Monotonicity   | N                        | Yes      |            |          | Bits                  |  |                                |
| Potentiometer Integral Non-linearity                         | INL                      | -0.5     | $\pm 0.25$ | +0.5     | LSb                   | <b>MCP4021/23</b> only (Note 2)                    |                                |
| Potentiometer Differential Non-linearity                     | DNL                      | -0.5     | $\pm 0.25$ | +0.5     | LSb                   | <b>MCP4021/23</b> only (Note 2)                    |                                |
| Resistor Terminal Input Voltage Range (Terminals A, B and W) | $V_A, V_W, V_B$          | $V_{SS}$ | —          | $V_{DD}$ | V                     | Note 5, Note 6                                     |                                |
| Maximum current through A, W or B                            | $I_W$                    | —        | —          | 2.5      | mA                    | Note 6   |                                |
| Leakage current into A, W or B                               | $I_{WL}$                 | —        | 100        | —        | nA                    | <b>MCP4021</b> A = W = B = $V_{SS}$                |                                |
|  |                          | —        | 100        | —        | nA                    | <b>MCP4022/23</b> A = W = $V_{SS}$                 |                                |
|  |                          | —        | 100        | —        | nA                    | <b>MCP4024</b> W = $V_{SS}$                        |                                |
| Capacitance ( $P_A$ )  | $C_{AW}$                 | —        | 75         | —        | pF                    | f = 1 MHz, code = 1Fh                              |                                |
| Capacitance ( $P_W$ )  | $C_W$                    | —        | 120        | —        | pF                    | f = 1 MHz, code = 1Fh                              |                                |
| Capacitance ( $P_B$ )  | $C_{BW}$                 | —        | 75         | —        | pF                    | f = 1 MHz, code = 1Fh                              |                                |
| Bandwidth -3 dB  | BW                       | —        | 4          | —        | MHz                   | -202 devices                                       | Code = 1F, output load = 30 pF |
|  |                          | —        | 2          | —        | MHz                   | -502 devices                                       |                                |
|  |                          | —        | 1          | —        | MHz                   | -103 devices                                       |                                |
|  |                          | —        | 200        | —        | kHz                   | -503 devices                                       |                                |

- Note** 1: Resistance is defined as the resistance between terminal A to terminal B.  
 2: INL and DNL are measured at  $V_W$  with  $V_A = V_{DD}$  and  $V_B = V_{SS}$ . (-202 devices  $V_A = 4\text{V}$ ).  
 3: **MCP4021/23** only, test conditions are:  $I_W = 1.9\text{ mA}$ , code = 00h.  
 4: **MCP4022/24** only, test conditions are:

| Device Resistance | Current at Voltage |                   | Comments   |
|-------------------|--------------------|-------------------|--|
|                   | 5.5V               | 2.7V              |  |
| 2.1 k $\Omega$    | 2.25 mA            | 1.1 mA            | <b>MCP4022</b> includes $V_{WZSE}$<br><b>MCP4024</b> includes $V_{WFSE}$ |
| 5 k $\Omega$      | 1.4 mA             | 450 $\mu\text{A}$ |  |
| 10 k $\Omega$     | 450 $\mu\text{A}$  | 210 $\mu\text{A}$ |  |
| 50 k $\Omega$     | 90 $\mu\text{A}$   | 40 $\mu\text{A}$  |  |

- 5: Resistor terminals A, W and B's polarity with respect to each other is not restricted.  
 6: This specification by design  
 7: Non-linearity is affected by wiper resistance ( $R_W$ ), which changes significantly over voltage and temperature. See Section 6.0 "Resistor" for additional information.  
 8: The **MCP4021** is externally connected to match the configurations of the **MCP4022** and **MCP4024**, and then tested.

# MCP4021/2/3/4

## AC/DC CHARACTERISTICS (CONTINUED)

**Electrical Specifications:** Unless otherwise indicated, all parameters apply across the specified operating ranges.  
 $T_A = -40^{\circ}\text{C}$  to  $+125^{\circ}\text{C}$ , 2.1 k $\Omega$ , 5 k $\Omega$ , 10 k $\Omega$  and 50 k $\Omega$  devices. Typical specifications represent values for  $V_{DD} = 5.5\text{V}$ ,  $V_{SS} = 0\text{V}$ ,  $T_A = +25^{\circ}\text{C}$ .

| Parameters  | Sym   | Min  | Typ        | Max           | Units | Conditions                        |               |
|---|-------|------|------------|---------------|-------|-----------------------------------|---------------|
| Rheostat Integral Non-linearity<br><b>MCP4021 (Note 4, Note 8)</b><br><b>MCP4022 and MCP4024 (Note 4)</b>     | R-INL | -0.5 | $\pm 0.25$ | +0.5          | LSb   | -202 devices<br>(2.1 k $\Omega$ ) | 5.5V          |
|   |       | -8.5 | +4.5       | +8.5          | LSb   |                                   | 2.7V (Note 7) |
|   |       | -0.5 | $\pm 0.25$ | +0.5          | LSb   | -502 devices<br>(5 k $\Omega$ )   | 5.5V          |
|   |       | -5.5 | +2.5       | +5.5          | LSb   |                                   | 2.7V (Note 7) |
|   |       | -0.5 | $\pm 0.25$ | +0.5          | LSb   | -103 devices<br>(10 k $\Omega$ )  | 5.5V          |
|   |       | -3   | +1         | +3            | LSb   |                                   | 2.7V (Note 7) |
|   |       | -0.5 | $\pm 0.25$ | +0.5          | LSb   | -503 devices<br>(50 k $\Omega$ )  | 5.5V          |
| -1  | +0.25 | +1   | LSb        | 2.7V (Note 7) |       |                                   |               |
| Rheostat Differential Non-linearity<br><b>MCP4021 (Note 4, Note 8)</b><br><b>MCP4022 and MCP4024 (Note 4)</b> | R-DNL | -0.5 | $\pm 0.25$ | +0.5          | LSb   | -202 devices<br>(2.1 k $\Omega$ ) | 5.5V          |
|   |       | -1   | +0.5       | +2            | LSb   |                                   | 2.7V (Note 7) |
|   |       | -0.5 | $\pm 0.25$ | +0.5          | LSb   | -502 devices<br>(5 k $\Omega$ )   | 5.5V          |
|   |       | -1   | +0.25      | +1.25         | LSb   |                                   | 2.7V (Note 7) |
|   |       | -0.5 | $\pm 0.25$ | +0.5          | LSb   | -103 devices<br>(10 k $\Omega$ )  | 5.5V          |
|   |       | -1   | 0          | +1            | LSb   |                                   | 2.7V (Note 7) |
|   |       | -0.5 | $\pm 0.25$ | +0.5          | LSb   | -503 devices<br>(50 k $\Omega$ )  | 5.5V          |
| -0.5  | 0     | +0.5 | LSb        | 2.7V (Note 7) |       |                                   |               |

- Note 1:** Resistance is defined as the resistance between terminal A to terminal B.  
**Note 2:** INL and DNL are measured at  $V_W$  with  $V_A = V_{DD}$  and  $V_B = V_{SS}$ . (-202 devices  $V_A = 4\text{V}$ ).  
**Note 3:** **MCP4021/23** only, test conditions are:  $I_W = 1.9\text{ mA}$ , code = 00h.  
**Note 4:** **MCP4022/24** only, test conditions are:

| Device Resistance | Current at Voltage |                   | Comments   |
|-------------------|--------------------|-------------------|--|
|                   | 5.5V               | 2.7V              |  |
| 2.1 k $\Omega$    | 2.25 mA            | 1.1 mA            | <b>MCP4022</b> includes $V_{WZSE}$<br><b>MCP4024</b> includes $V_{WFSE}$ |
| 5 k $\Omega$      | 1.4 mA             | 450 $\mu\text{A}$ |  |
| 10 k $\Omega$     | 450 $\mu\text{A}$  | 210 $\mu\text{A}$ |  |
| 50 k $\Omega$     | 90 $\mu\text{A}$   | 40 $\mu\text{A}$  |  |

- Note 5:** Resistor terminals A, W and B's polarity with respect to each other is not restricted.  
**Note 6:** This specification by design  
**Note 7:** Non-linearity is affected by wiper resistance ( $R_W$ ), which changes significantly over voltage and temperature. See **Section 6.0 "Resistor"** for additional information.  
**Note 8:** The **MCP4021** is externally connected to match the configurations of the **MCP4022** and **MCP4024**, and then tested.

## AC/DC CHARACTERISTICS (CONTINUED)

**Electrical Specifications:** Unless otherwise indicated, all parameters apply across the specified operating ranges.  $T_A = -40^\circ\text{C}$  to  $+125^\circ\text{C}$ , 2.1 k $\Omega$ , 5 k $\Omega$ , 10 k $\Omega$  and 50 k $\Omega$  devices. Typical specifications represent values for  $V_{DD} = 5.5\text{V}$ ,  $V_{SS} = 0\text{V}$ ,  $T_A = +25^\circ\text{C}$ .

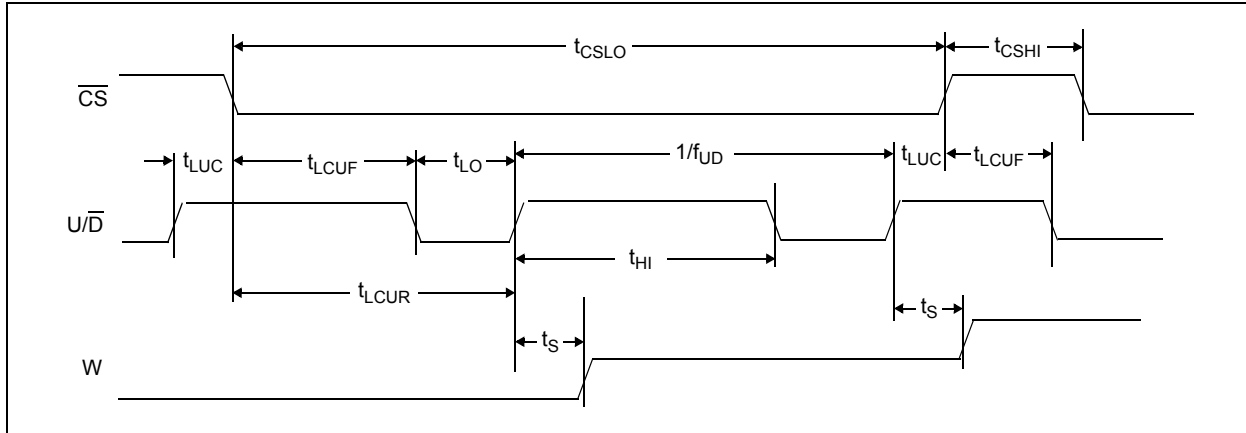
| Parameters   | Sym                  | Min          | Typ    | Max                         | Units         | Conditions   |
|--|----------------------|--------------|--------|-----------------------------|---------------|--|
| <b>Digital Inputs/Outputs (CS, U/D)</b>                |                      |              |        |                             |               |  |
| Input High Voltage                                     | $V_{IH}$             | $0.7 V_{DD}$ | —      | —                           | V             |  |
| Input Low Voltage                                      | $V_{IL}$             | —            | —      | $0.3 V_{DD}$                | V             |  |
| High-Voltage Input Entry Voltage                       | $V_{IHH}$            | 8.5          | —      | 12.5 <sup>(6)</sup>         | V             | Threshold for WiperLock™ Technology  |
| High-Voltage Input Exit Voltage                        | $V_{IHH}$            | —            | —      | $V_{DD}+0.8$ <sup>(6)</sup> | V             |  |
| CS Pull-up/Pull-down Resistance                        | $R_{CS}$             | —            | 16     | —                           | k $\Omega$    | $V_{DD} = 5.5\text{V}$ , $V_{CS} = 3\text{V}$                              |
| CS Weak Pull-up/Pull-down Current                      | $I_{PU}$             | —            | 170    | —                           | $\mu\text{A}$ | $V_{DD} = 5.5\text{V}$ , $V_{CS} = 3\text{V}$                              |
| Input Leakage Current                                  | $I_{IL}$             | -1           | —      | 1                           | $\mu\text{A}$ | $V_{IN} = V_{DD}$  |
| CS and U/D Pin Capacitance                             | $C_{IN}$ , $C_{OUT}$ | —            | 10     | —                           | pF            | $f_C = 1\text{MHz}$  |
| <b>RAM (Wiper) Value</b>                               |                      |              |        |                             |               |  |
| Value Range  | N                    | 0h           | —      | 3Fh                         | hex           |  |
| <b>EEPROM</b>  |                      |              |        |                             |               |  |
| Endurance  | $E_{endurance}$      | —            | 1M     | —                           | Cycles        |  |
| EEPROM Range   | N                    | 0h           | —      | 3Fh                         | hex           |  |
| Initial Factory Setting                                | N                    | 1Fh          |        |                             | hex           | WiperLock Technology = Off   |
| <b>Power Requirements</b>                              |                      |              |        |                             |               |  |
| Power Supply Sensitivity<br>(MCP4021 and MCP4023 only) | PSS                  | —            | 0.0015 | 0.0035                      | %/%           | $V_{DD} = 4.5\text{V}$ to $5.5\text{V}$ , $V_A = 4.5\text{V}$ , Code = 1Fh |
|  |                      | —            | 0.0015 | 0.0035                      | %/%           | $V_{DD} = 2.7\text{V}$ to $4.5\text{V}$ , $V_A = 2.7\text{V}$ , Code = 1Fh |

- Note** 1: Resistance is defined as the resistance between terminal A to terminal B.  
 2: INL and DNL are measured at  $V_W$  with  $V_A = V_{DD}$  and  $V_B = V_{SS}$ . (-202 devices  $V_A = 4\text{V}$ ).  
 3: MCP4021/23 only, test conditions are:  $I_W = 1.9\text{mA}$ , code = 00h.  
 4: MCP4022/24 only, test conditions are:

| Device Resistance | Current at Voltage |                   | Comments   |
|-------------------|--------------------|-------------------|--|
|                   | 5.5V               | 2.7V              |  |
| 2.1 k $\Omega$    | 2.25 mA            | 1.1 mA            | MCP4022 includes $V_{WZSE}$<br>MCP4024 includes $V_{WFSE}$ |
| 5 k $\Omega$      | 1.4 mA             | 450 $\mu\text{A}$ |  |
| 10 k $\Omega$     | 450 $\mu\text{A}$  | 210 $\mu\text{A}$ |  |
| 50 k $\Omega$     | 90 $\mu\text{A}$   | 40 $\mu\text{A}$  |  |

- 5: Resistor terminals A, W and B's polarity with respect to each other is not restricted.  
 6: This specification by design  
 7: Non-linearity is affected by wiper resistance ( $R_W$ ), which changes significantly over voltage and temperature. See Section 6.0 "Resistor" for additional information.  
 8: The MCP4021 is externally connected to match the configurations of the MCP4022 and MCP4024, and then tested.

# MCP4021/2/3/4

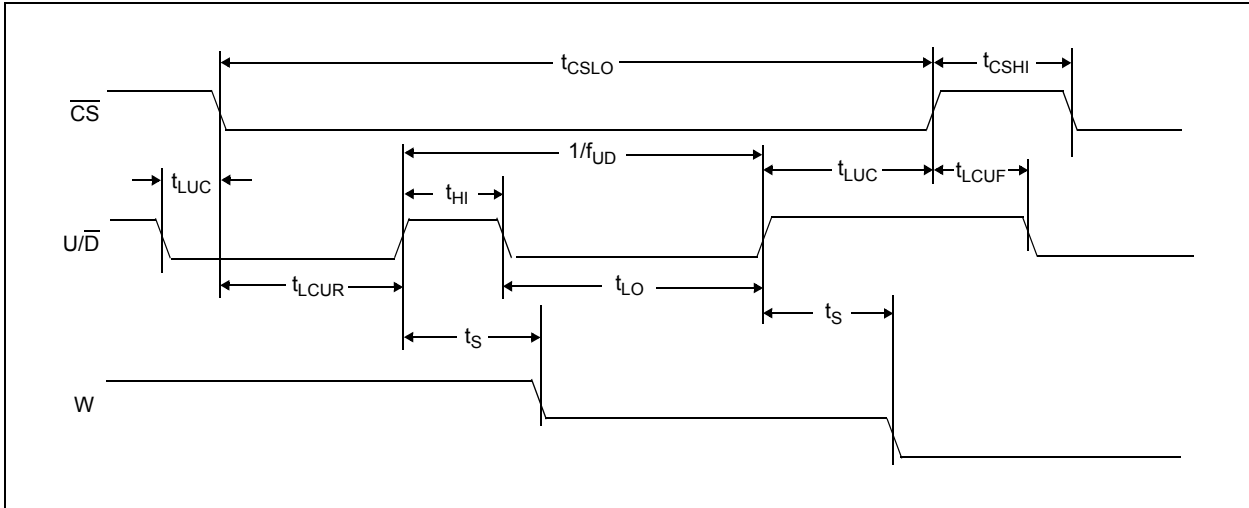


**FIGURE 1-1:** Increment Timing Waveform.

## SERIAL TIMING CHARACTERISTICS

**Electrical Specifications:** Unless otherwise noted, all parameters apply across the specified operating ranges. Extended (E):  $V_{DD} = +2.7V$  to  $5.5V$ ,  $T_A = -40^{\circ}C$  to  $+125^{\circ}C$ .

| Parameters  | Sym        | Min | Typ | Max | Units   | Conditions                                   |
|---|------------|-----|-----|-----|---------|--|
| $\overline{CS}$ Low Time                            | $t_{CSLO}$ | 5   | —   | —   | $\mu s$ |  |
| $\overline{CS}$ High Time                           | $t_{CSHI}$ | 500 | —   | —   | ns      |  |
| $U/\overline{D}$ to $\overline{CS}$ Hold Time       | $t_{LUC}$  | 500 | —   | —   | ns      |  |
| $\overline{CS}$ to $U/\overline{D}$ Low Setup Time  | $t_{LCUF}$ | 500 | —   | —   | ns      |  |
| $\overline{CS}$ to $U/\overline{D}$ High Setup Time | $t_{LCUR}$ | 3   | —   | —   | $\mu s$ |  |
| $U/\overline{D}$ High Time                          | $t_{HI}$   | 500 | —   | —   | ns      |  |
| $U/\overline{D}$ Low Time                           | $t_{LO}$   | 500 | —   | —   | ns      |  |
| Up/Down Toggle Frequency                            | $f_{UD}$   | —   | —   | 1   | MHz     |  |
| Wiper Settling Time                                 | $t_S$      | 0.5 | —   | —   | $\mu s$ | $2.1\text{ k}\Omega$ , $C_L = 100\text{ pF}$ |
|   |            | 1   | —   | —   | $\mu s$ | $5\text{ k}\Omega$ , $C_L = 100\text{ pF}$   |
|   |            | 2   | —   | —   | $\mu s$ | $10\text{ k}\Omega$ , $C_L = 100\text{ pF}$  |
|   |            | 10  | 5   | —   | $\mu s$ | $50\text{ k}\Omega$ , $C_L = 100\text{ pF}$  |
| Wiper Response on Power-up                          | $t_{PU}$   | —   | 200 | —   | ns      |  |
| Internal EEPROM Write Time                          | $t_{WC}$   | —   | —   | 5   | ms      | @ $25^{\circ}C$                              |
|   |            | —   | —   | 10  | ms      | $-40^{\circ}C$ to $+125^{\circ}C$            |



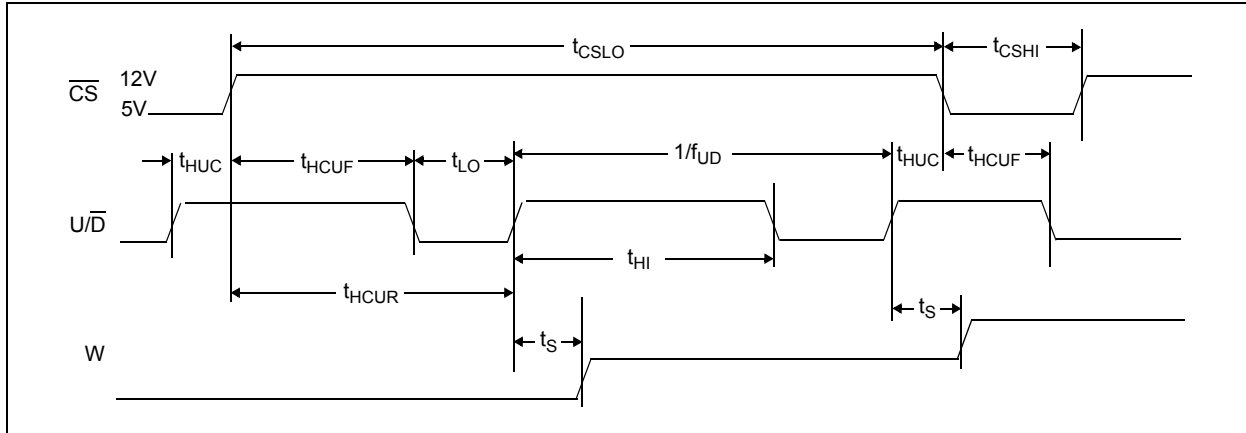
**FIGURE 1-2:** Decrement Timing Waveform.

## SERIAL TIMING CHARACTERISTICS

**Electrical Specifications:** Unless otherwise noted, all parameters apply across the specified operating ranges. Extended (E):  $V_{DD} = +2.7V$  to  $5.5V$ ,  $T_A = -40^\circ C$  to  $+125^\circ C$ .

| Parameters  | Sym        | Min | Typ | Max | Units   | Conditions                                   |
|---|------------|-----|-----|-----|---------|--|
| $\overline{CS}$ Low Time                            | $t_{CSLO}$ | 5   | —   | —   | $\mu s$ |  |
| $\overline{CS}$ High Time                           | $t_{CSHI}$ | 500 | —   | —   | ns      |  |
| $U/\overline{D}$ to $\overline{CS}$ Hold Time       | $t_{LUC}$  | 500 | —   | —   | ns      |  |
| $\overline{CS}$ to $U/\overline{D}$ Low Setup Time  | $t_{LCUF}$ | 500 | —   | —   | ns      |  |
| $\overline{CS}$ to $U/\overline{D}$ High Setup Time | $t_{LCUR}$ | 3   | —   | —   | $\mu s$ |  |
| $U/\overline{D}$ High Time                          | $t_{HI}$   | 500 | —   | —   | ns      |  |
| $U/\overline{D}$ Low Time                           | $t_{LO}$   | 500 | —   | —   | ns      |  |
| Up/ $\overline{Down}$ Toggle Frequency              | $f_{UD}$   | —   | —   | 1   | MHz     |  |
| Wiper Settling Time                                 | $t_S$      | 0.5 | —   | —   | $\mu s$ | $2.1\text{ k}\Omega$ , $C_L = 100\text{ pF}$ |
|   |            | 1   | —   | —   | $\mu s$ | $5\text{ k}\Omega$ , $C_L = 100\text{ pF}$   |
|   |            | 2   | —   | —   | $\mu s$ | $10\text{ k}\Omega$ , $C_L = 100\text{ pF}$  |
|   |            | 10  | 5   | —   | $\mu s$ | $50\text{ k}\Omega$ , $C_L = 100\text{ pF}$  |
| Wiper Response on Power-up                          | $t_{PU}$   | —   | 200 | —   | ns      |  |
| Internal EEPROM Write Time                          | $t_{wc}$   | —   | —   | 5   | ms      | @ $25^\circ C$                               |
|   |            | —   | —   | 10  | ms      | $-40^\circ C$ to $+125^\circ C$              |

# MCP4021/2/3/4

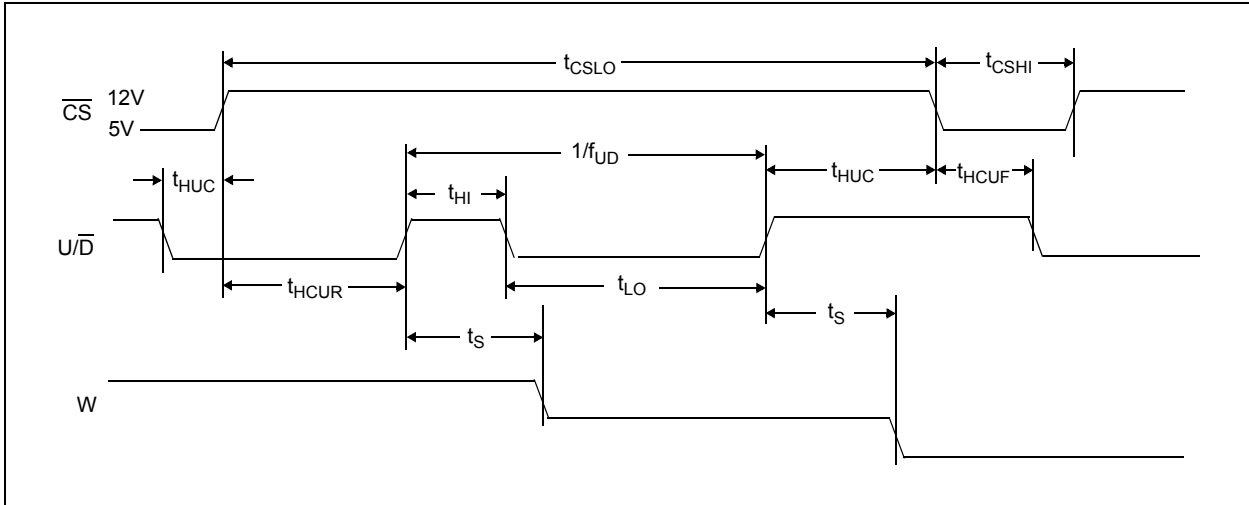


**FIGURE 1-3:** High-Voltage Increment Timing Waveform.

## SERIAL TIMING CHARACTERISTICS

**Electrical Specifications:** Unless otherwise noted, all parameters apply across the specified operating ranges. Extended (E):  $V_{DD} = +2.7V$  to  $5.5V$ ,  $T_A = -40^\circ C$  to  $+125^\circ C$ .

| Parameters   | Sym         | Min | Typ | Max | Units   | Conditions                                   |
|--|-------------|-----|-----|-----|---------|--|
| $\overline{CS}$ Low Time                               | $t_{CSLO}$  | 5   | —   | —   | $\mu s$ |  |
| $\overline{CS}$ High Time                              | $t_{CSHI}$  | 500 | —   | —   | ns      |  |
| $U/\overline{D}$ High Time                             | $t_{HI}$    | 500 | —   | —   | ns      |  |
| $U/\overline{D}$ Low Time                              | $t_{LO}$    | 500 | —   | —   | ns      |  |
| Up/Down Toggle Frequency                               | $f_{UD}$    | —   | —   | 1   | MHz     |  |
| HV $U/\overline{D}$ to $\overline{CS}$ Hold Time       | $t_{HUC}$   | 1.5 | —   | —   | $\mu s$ |  |
| HV $\overline{CS}$ to $U/\overline{D}$ Low Setup Time  | $t_{HCUF}$  | 8   | —   | —   | $\mu s$ |  |
| HV $\overline{CS}$ to $U/\overline{D}$ High Setup Time | $t_{HUCUR}$ | 4.5 | —   | —   | $\mu s$ |  |
| Wiper Settling Time                                    | $t_S$       | 0.5 | —   | —   | $\mu s$ | $2.1\text{ k}\Omega$ , $C_L = 100\text{ pF}$ |
|  |             | 1   | —   | —   | $\mu s$ | $5\text{ k}\Omega$ , $C_L = 100\text{ pF}$   |
|  |             | 2   | —   | —   | $\mu s$ | $10\text{ k}\Omega$ , $C_L = 100\text{ pF}$  |
|  |             | 10  | 5   | —   | $\mu s$ | $50\text{ k}\Omega$ , $C_L = 100\text{ pF}$  |
| Wiper Response on Power-up                             | $t_{PU}$    | —   | 200 | —   | ns      |  |
| Internal EEPROM Write Time                             | $t_{WC}$    | —   | —   | 5   | ms      | @ $25^\circ C$                               |
|  |             | —   | —   | 10  | ms      | $-40^\circ C$ to $+125^\circ C$              |



**FIGURE 1-4:** High-Voltage Decrement Timing Waveform.

## SERIAL TIMING CHARACTERISTICS

**Electrical Specifications:** Unless otherwise noted, all parameters apply across the specified operating ranges. Extended (E):  $V_{DD} = +2.7V$  to  $5.5V$ ,  $T_A = -40^{\circ}C$  to  $+125^{\circ}C$ .

| Parameters   | Sym        | Min | Typ | Max | Units   | Conditions                        |
|--|------------|-----|-----|-----|---------|-----------------------------------|
| $\overline{CS}$ Low Time                               | $t_{CSLO}$ | 5   | —   | —   | $\mu s$ |                                   |
| $\overline{CS}$ High Time                              | $t_{CSHI}$ | 500 | —   | —   | ns      |                                   |
| $U/\overline{D}$ High Time                             | $t_{HI}$   | 500 | —   | —   | ns      |                                   |
| $U/\overline{D}$ Low Time                              | $t_{LO}$   | 500 | —   | —   | ns      |                                   |
| Up/Down Toggle Frequency                               | $f_{UD}$   | —   | —   | 1   | MHz     |                                   |
| HV $U/\overline{D}$ to $\overline{CS}$ Hold Time       | $t_{HUC}$  | 1.5 | —   | —   | $\mu s$ |                                   |
| HV $\overline{CS}$ to $U/\overline{D}$ Low Setup Time  | $t_{HCUF}$ | 8   | —   | —   | $\mu s$ |                                   |
| HV $\overline{CS}$ to $U/\overline{D}$ High Setup Time | $t_{HCUR}$ | 4.5 | —   | —   | $\mu s$ |                                   |
| Wiper Settling Time                                    | $t_s$      | 0.5 | —   | —   | $\mu s$ | $2.1\ k\Omega$ , $C_L = 100\ pF$  |
|  |            | 1   | —   | —   | $\mu s$ | $5\ k\Omega$ , $C_L = 100\ pF$    |
|  |            | 2   | —   | —   | $\mu s$ | $10\ k\Omega$ , $C_L = 100\ pF$   |
|  |            | 10  | 5   | —   | $\mu s$ | $50\ k\Omega$ , $C_L = 100\ pF$   |
| Wiper Response on Power-up                             | $t_{PU}$   | —   | 200 | —   | ns      |                                   |
| Internal EEPROM Write Time                             | $t_{wc}$   | —   | —   | 5   | ms      | @ $25^{\circ}C$                   |
|  |            | —   | —   | 10  | ms      | $-40^{\circ}C$ to $+125^{\circ}C$ |



# MCP4021/2/3/4

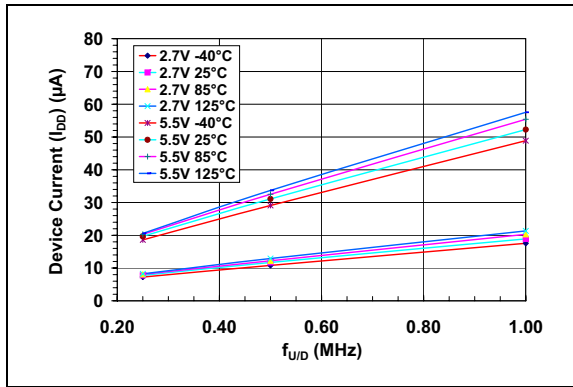
## TEMPERATURE CHARACTERISTICS

| Electrical Specifications: Unless otherwise indicated, $V_{DD} = +2.7V$ to $+5.5V$ , $V_{SS} = GND$ . |               |     |     |      |       |            |
|---|---------------|-----|-----|------|-------|------------|
| Parameters  | Sym           | Min | Typ | Max  | Units | Conditions |
| <b>Temperature Ranges</b>   |               |     |     |      |       |            |
| Specified Temperature Range   | $T_A$         | -40 | —   | +125 | °C    |            |
| Operating Temperature Range   | $T_A$         | -40 | —   | +125 | °C    |            |
| Storage Temperature Range   | $T_A$         | -65 | —   | +150 | °C    |            |
| <b>Thermal Package Resistances</b>  |               |     |     |      |       |            |
| Thermal Resistance, 5L-SOT-23   | $\theta_{JA}$ | —   | 255 | —    | °C/W  |            |
| Thermal Resistance, 6L-SOT-23   | $\theta_{JA}$ | —   | 230 | —    | °C/W  |            |
| Thermal Resistance, 8L-DFN (2x3)  | $\theta_{JA}$ | —   | 85  | —    | °C/W  |            |
| Thermal Resistance, 8L-MSOP   | $\theta_{JA}$ | —   | 206 | —    | °C/W  |            |
| Thermal Resistance, 8L-SOIC   | $\theta_{JA}$ | —   | 117 | —    | °C/W  |            |

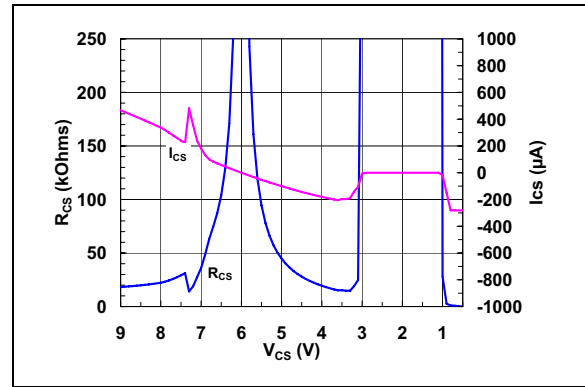
## 2.0 TYPICAL PERFORMANCE CURVES

**Note:** The graphs and tables provided following this note are a statistical summary based on a limited number of samples and are provided for informational purposes only. The performance characteristics listed herein are not tested or guaranteed. In some graphs or tables, the data presented may be outside the specified operating range (e.g., outside specified power supply range) and therefore outside the warranted range.

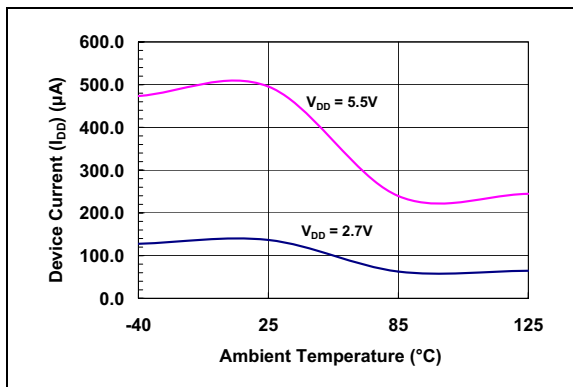
**Note:** Unless otherwise indicated,  $T_A = +25^\circ\text{C}$ ,  $V_{DD} = 5\text{V}$ ,  $V_{SS} = 0\text{V}$ .



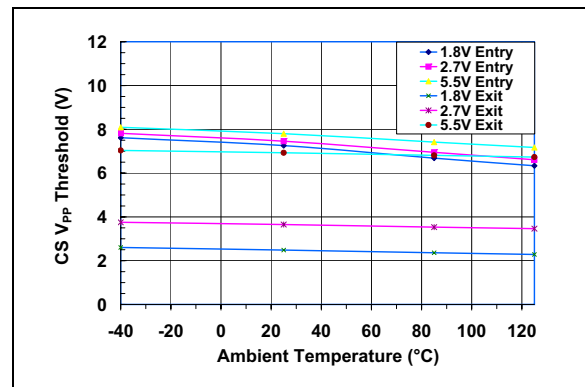
**FIGURE 2-1:** Device Current ( $I_{DD}$ ) vs. U/D Frequency ( $f_{UD}$ ) and Ambient Temperature ( $V_{DD} = 2.7\text{V}$  and  $5.5\text{V}$ ).



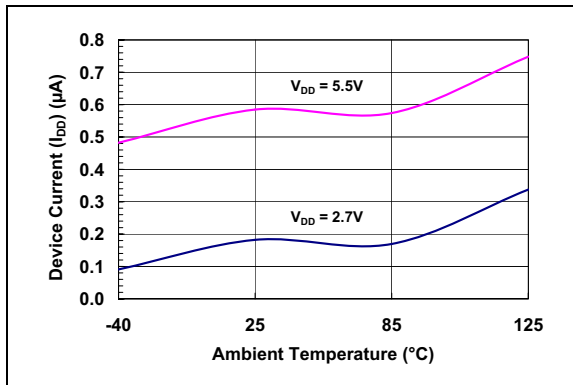
**FIGURE 2-4:**  $\overline{\text{CS}}$  Pull-up/Pull-down Resistance ( $R_{CS}$ ) and Current ( $I_{CS}$ ) vs.  $\overline{\text{CS}}$  Input Voltage ( $V_{CS}$ ) ( $V_{DD} = 5.5\text{V}$ ).



**FIGURE 2-2:** Write Current ( $I_{WRITE}$ ) vs. Ambient Temperature and  $V_{DD}$ .



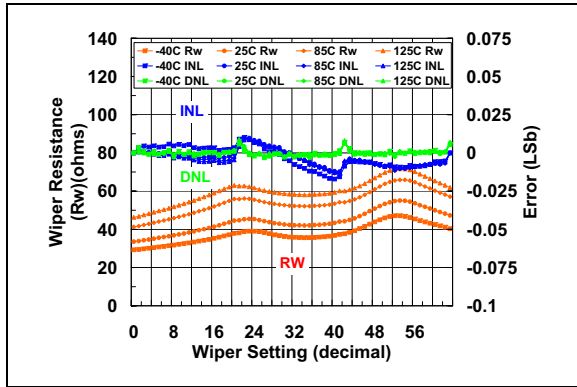
**FIGURE 2-5:**  $\overline{\text{CS}}$  High Input Entry/Exit Threshold vs. Ambient Temperature and  $V_{DD}$ .



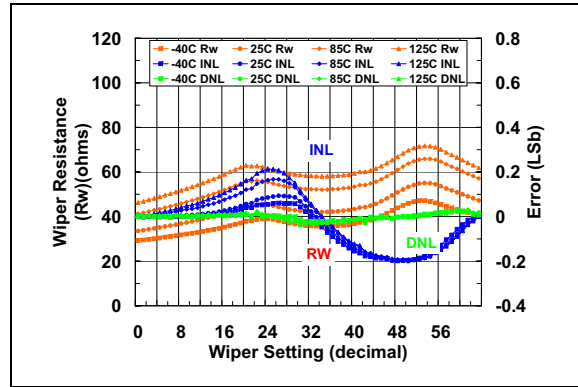
**FIGURE 2-3:** Device Current ( $I_{SHDN}$ ) vs. Ambient Temperature and  $V_{DD}$ . ( $\overline{\text{CS}} = V_{DD}$ ).

# MCP4021/2/3/4

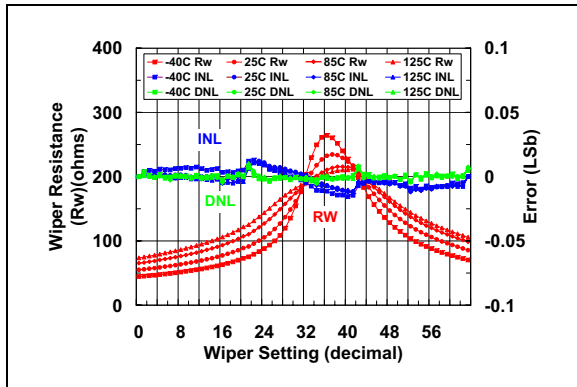
Note: Unless otherwise indicated,  $T_A = +25^\circ\text{C}$ ,  $V_{DD} = 5\text{V}$ ,  $V_{SS} = 0\text{V}$ .



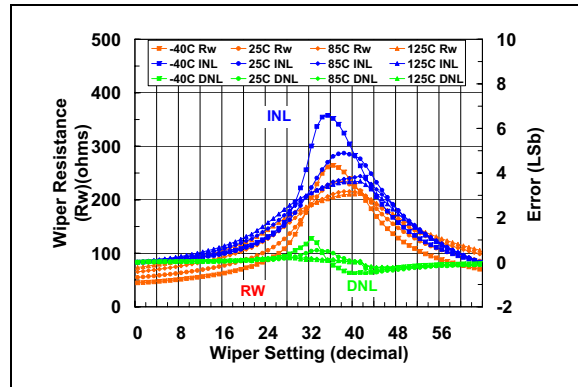
**FIGURE 2-6:** 2.1 k $\Omega$  Pot Mode –  $R_W$  ( $\Omega$ ), INL (LSb), DNL (LSb) vs. Wiper Setting and Ambient Temperature ( $V_{DD} = 5.5\text{V}$ ).



**FIGURE 2-8:** 2.1 k $\Omega$  Rheo Mode –  $R_W$  ( $\Omega$ ), INL (LSb), DNL (LSb) vs. Wiper Setting and Ambient Temperature ( $V_{DD} = 5.5\text{V}$ ).

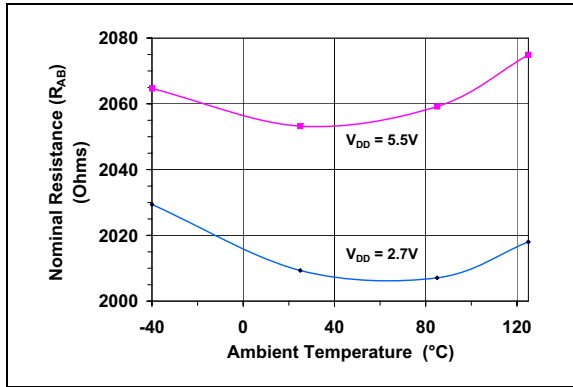


**FIGURE 2-7:** 2.1 k $\Omega$  Pot Mode –  $R_W$  ( $\Omega$ ), INL (LSb), DNL (LSb) vs. Wiper Setting and Ambient Temperature ( $V_{DD} = 2.7\text{V}$ ).

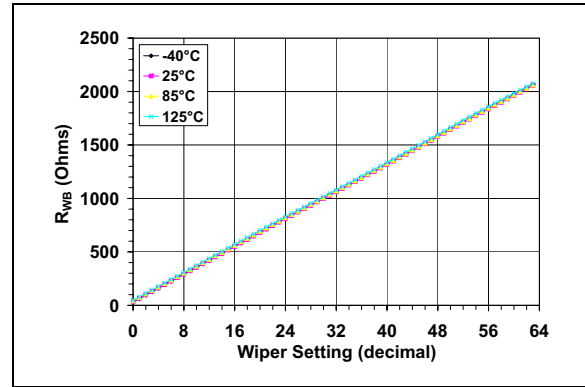


**FIGURE 2-9:** 2.1 k $\Omega$  Rheo Mode –  $R_W$  ( $\Omega$ ), INL (LSb), DNL (LSb) vs. Wiper Setting and Ambient Temperature ( $V_{DD} = 2.7\text{V}$ ).

**Note:** Unless otherwise indicated,  $T_A = +25^\circ\text{C}$ ,  $V_{DD} = 5\text{V}$ ,  $V_{SS} = 0\text{V}$ .



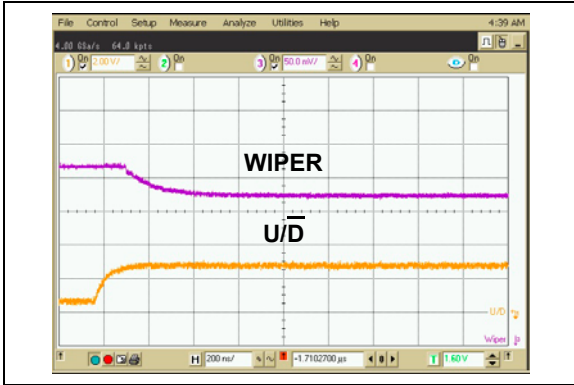
**FIGURE 2-10:**  $2.1\text{ k}\Omega$  – Nominal Resistance ( $\Omega$ ) vs. Ambient Temperature and  $V_{DD}$ .



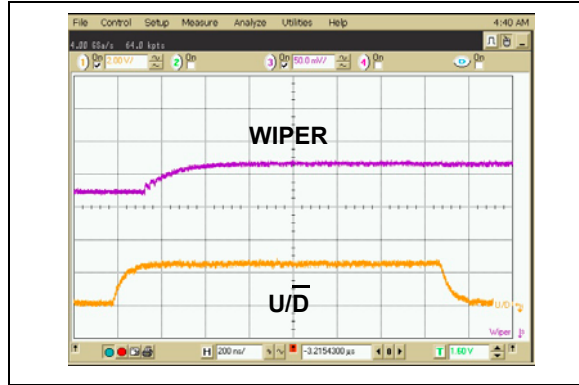
**FIGURE 2-11:**  $2.1\text{ k}\Omega$  –  $R_{WB}$  ( $\Omega$ ) vs. Wiper Setting and Ambient Temperature.

# MCP4021/2/3/4

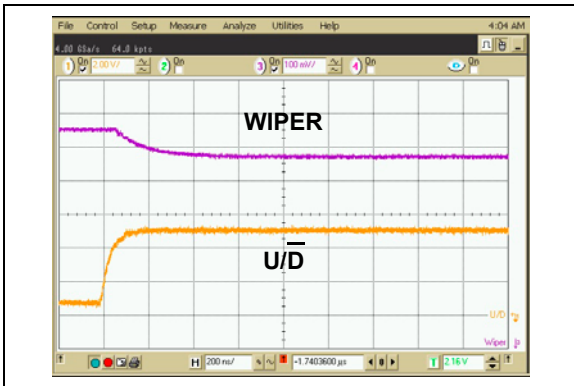
Note: Unless otherwise indicated,  $T_A = +25^\circ\text{C}$ ,  $V_{DD} = 5\text{V}$ ,  $V_{SS} = 0\text{V}$ .



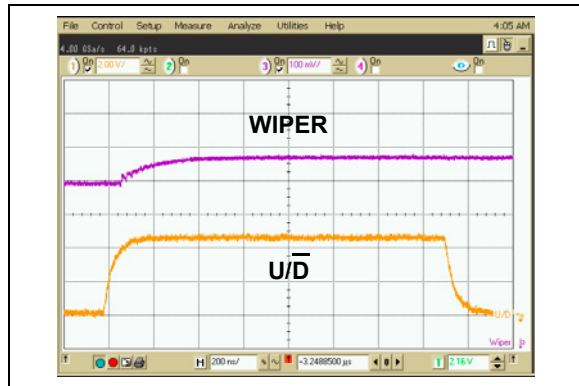
**FIGURE 2-12:** 2.1 k $\Omega$  – Low-Voltage Decrement Wiper Settling Time ( $V_{DD} = 2.7\text{V}$ ).



**FIGURE 2-15:** 2.1 k $\Omega$  – Low-Voltage Increment Wiper Settling Time ( $V_{DD} = 2.7\text{V}$ ).



**FIGURE 2-13:** 2.1 k $\Omega$  – Low-Voltage Decrement Wiper Settling Time ( $V_{DD} = 5.5\text{V}$ ).

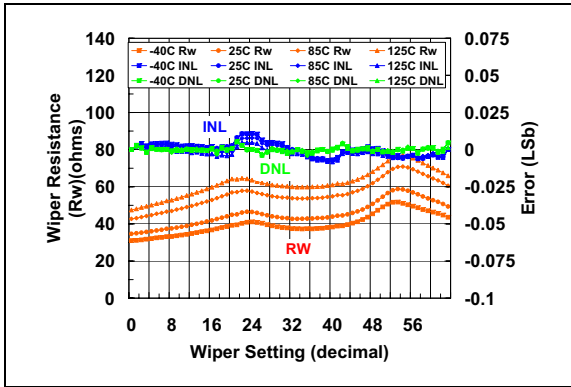


**FIGURE 2-16:** 2.1 k $\Omega$  – Low-Voltage Increment Wiper Settling Time ( $V_{DD} = 5.5\text{V}$ ).

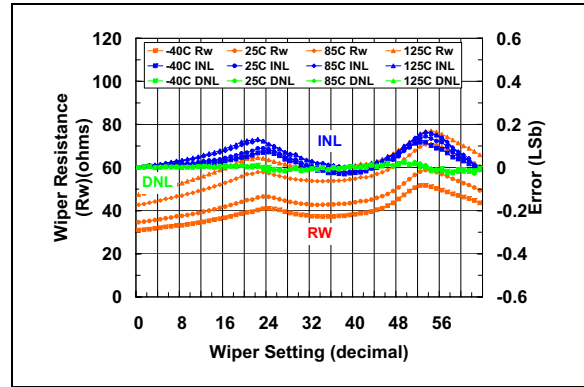


**FIGURE 2-14:** 2.1 k $\Omega$  – Power-Up Wiper Response Time.

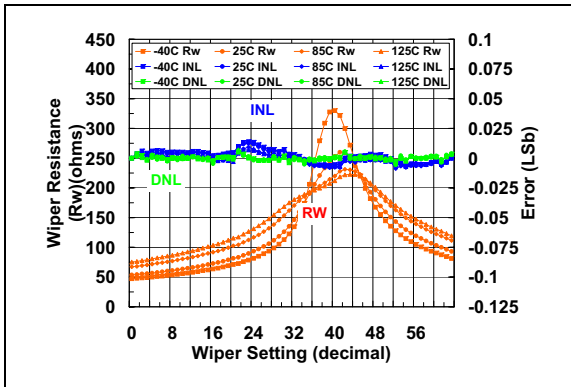
**Note:** Unless otherwise indicated,  $T_A = +25^\circ\text{C}$ ,  $V_{DD} = 5\text{V}$ ,  $V_{SS} = 0\text{V}$ .



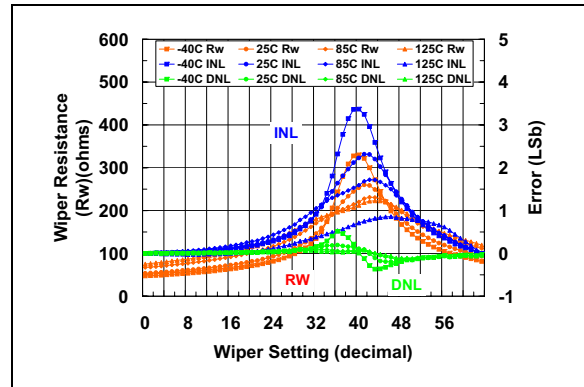
**FIGURE 2-17:** 5 k $\Omega$  Pot Mode –  $R_W$  ( $\Omega$ ), INL (LSb), DNL (LSb) vs. Wiper Setting and Ambient Temperature ( $V_{DD} = 5.5\text{V}$ ).



**FIGURE 2-19:** 5 k $\Omega$  Rheo Mode –  $R_W$  ( $\Omega$ ), INL (LSb), DNL (LSb) vs. Wiper Setting and Ambient Temperature ( $V_{DD} = 5.5\text{V}$ ).



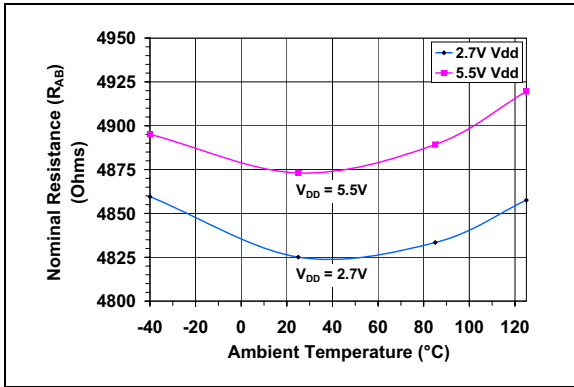
**FIGURE 2-18:** 5 k $\Omega$  Pot Mode –  $R_W$  ( $\Omega$ ), INL (LSb), DNL (LSb) vs. Wiper Setting and Ambient Temperature ( $V_{DD} = 2.7\text{V}$ ).



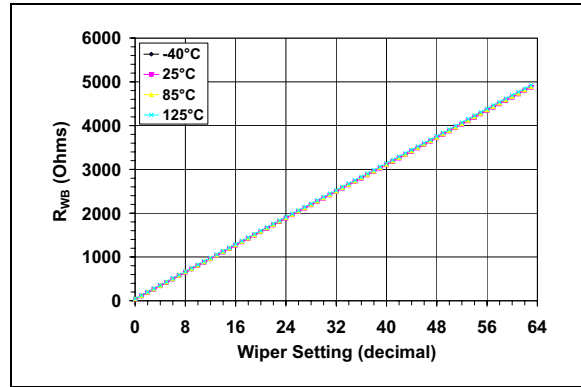
**FIGURE 2-20:** 5 k $\Omega$  Rheo Mode –  $R_W$  ( $\Omega$ ), INL (LSb), DNL (LSb) vs. Wiper Setting and Ambient Temperature ( $V_{DD} = 2.7\text{V}$ ).

# MCP4021/2/3/4

Note: Unless otherwise indicated,  $T_A = +25^\circ\text{C}$ ,  $V_{DD} = 5\text{V}$ ,  $V_{SS} = 0\text{V}$ .

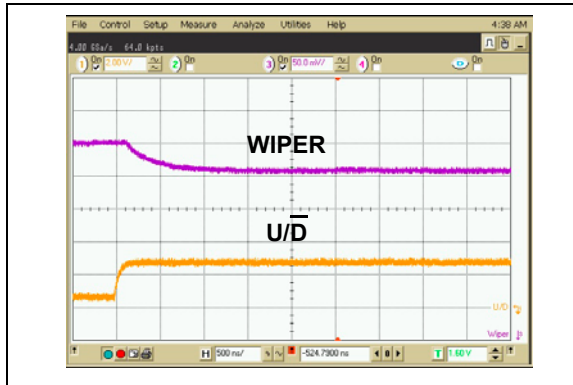


**FIGURE 2-21:**  $5\text{ k}\Omega$  – Nominal Resistance ( $\Omega$ ) vs. Ambient Temperature and  $V_{DD}$ .

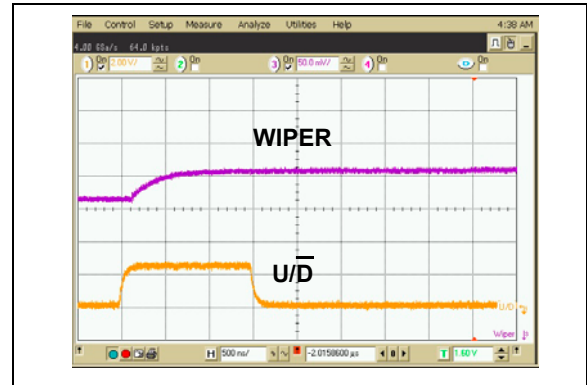


**FIGURE 2-22:**  $5\text{ k}\Omega$  –  $R_{WB}$  ( $\Omega$ ) vs. Wiper Setting and Ambient Temperature.

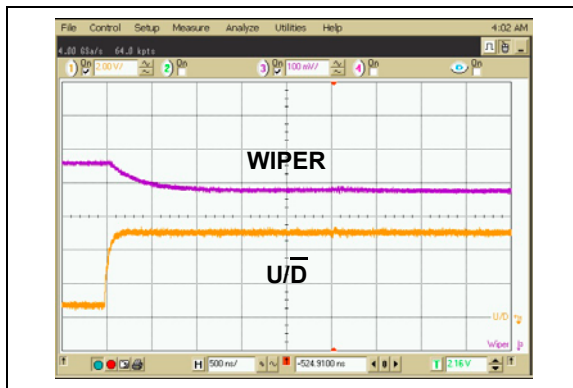
**Note:** Unless otherwise indicated,  $T_A = +25^\circ\text{C}$ ,  $V_{DD} = 5\text{V}$ ,  $V_{SS} = 0\text{V}$ .



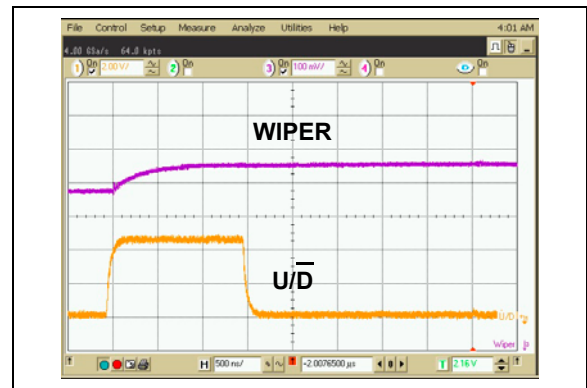
**FIGURE 2-23:**  $5\text{ k}\Omega$  – Low-Voltage Decrement Wiper Settling Time ( $V_{DD} = 2.7\text{V}$ ).



**FIGURE 2-25:**  $5\text{ k}\Omega$  – Low-Voltage Increment Wiper Settling Time ( $V_{DD} = 2.7\text{V}$ ).



**FIGURE 2-24:**  $5\text{ k}\Omega$  – Low-Voltage Decrement Wiper Settling Time ( $V_{DD} = 5.5\text{V}$ ).

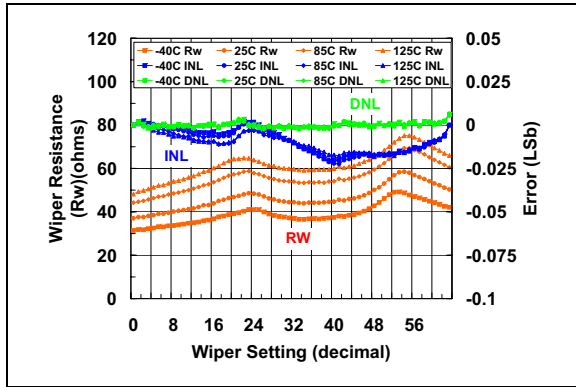


**FIGURE 2-26:**  $5\text{ k}\Omega$  – Low-Voltage Increment Wiper Settling Time ( $V_{DD} = 5.5\text{V}$ ).

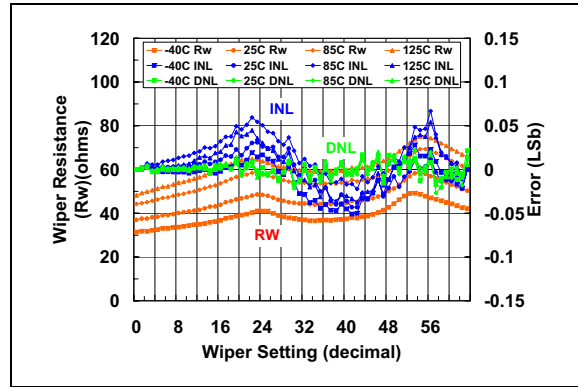


# MCP4021/2/3/4

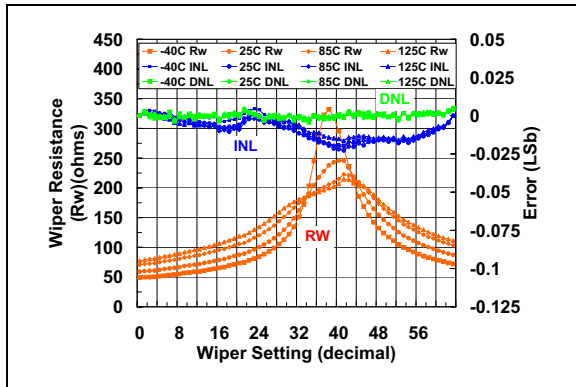
Note: Unless otherwise indicated,  $T_A = +25^\circ\text{C}$ ,  $V_{DD} = 5\text{V}$ ,  $V_{SS} = 0\text{V}$ .



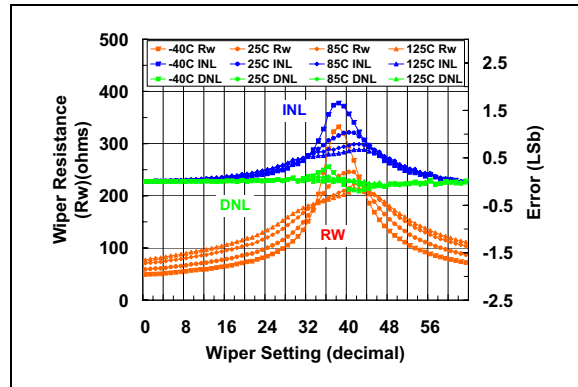
**FIGURE 2-27:** 10 k $\Omega$  Pot Mode –  $R_W$  ( $\Omega$ ), INL (LSb), DNL (LSb) vs. Wiper Setting and Ambient Temperature ( $V_{DD} = 5.5\text{V}$ ).



**FIGURE 2-29:** 10 k $\Omega$  Rheo Mode –  $R_W$  ( $\Omega$ ), INL (LSb), DNL (LSb) vs. Wiper Setting and Ambient Temperature ( $V_{DD} = 5.5\text{V}$ ).

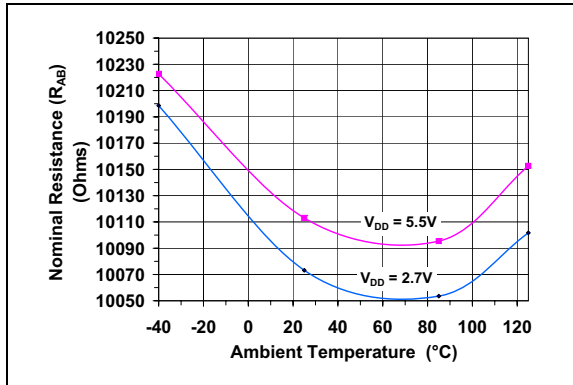


**FIGURE 2-28:** 10 k $\Omega$  Pot Mode –  $R_W$  ( $\Omega$ ), INL (LSb), DNL (LSb) vs. Wiper Setting and Ambient Temperature ( $V_{DD} = 2.7\text{V}$ ).

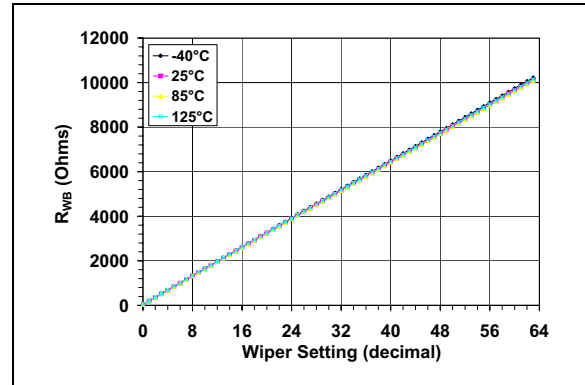


**FIGURE 2-30:** 10 k $\Omega$  Rheo Mode –  $R_W$  ( $\Omega$ ), INL (LSb), DNL (LSb) vs. Wiper Setting and Ambient Temperature ( $V_{DD} = 2.7\text{V}$ ).

**Note:** Unless otherwise indicated,  $T_A = +25^\circ\text{C}$ ,  $V_{DD} = 5\text{V}$ ,  $V_{SS} = 0\text{V}$ .



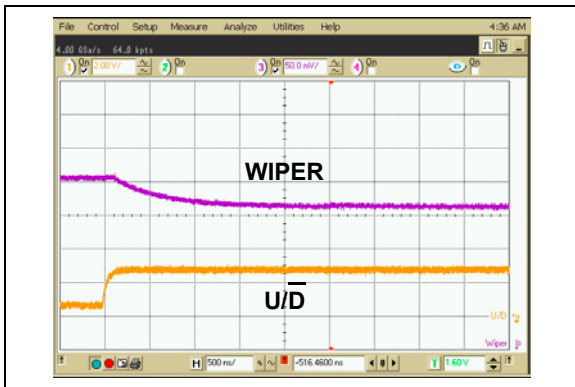
**FIGURE 2-31:**  $10\text{ k}\Omega$ —Nominal Resistance ( $\Omega$ ) vs. Ambient Temperature and  $V_{DD}$ .



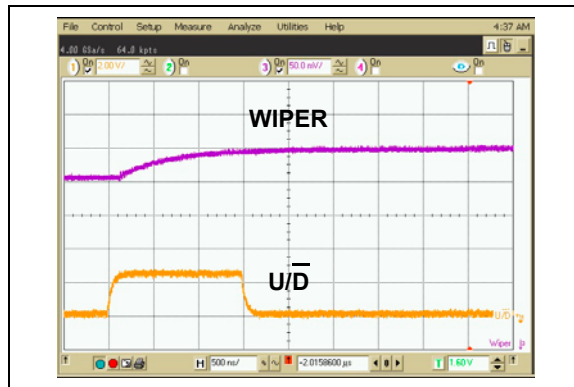
**FIGURE 2-32:**  $10\text{ k}\Omega$ — $R_{WB}$  ( $\Omega$ ) vs. Wiper Setting and Ambient Temperature.

# MCP4021/2/3/4

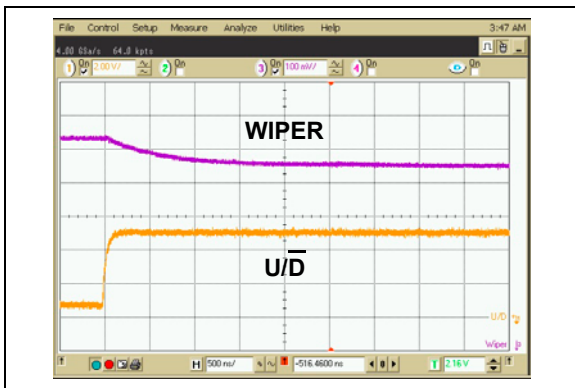
Note: Unless otherwise indicated,  $T_A = +25^\circ\text{C}$ ,  $V_{DD} = 5\text{V}$ ,  $V_{SS} = 0\text{V}$ .



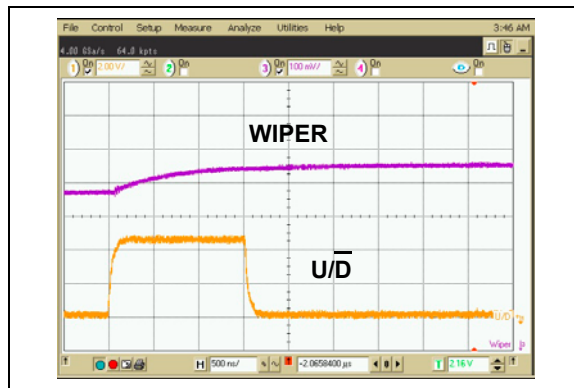
**FIGURE 2-33:**  $10\text{ k}\Omega$  – Low-Voltage Decrement Wiper Settling Time ( $V_{DD} = 2.7\text{V}$ ).



**FIGURE 2-35:**  $10\text{ k}\Omega$  – Low-Voltage Increment Wiper Settling Time ( $V_{DD} = 2.7\text{V}$ ).

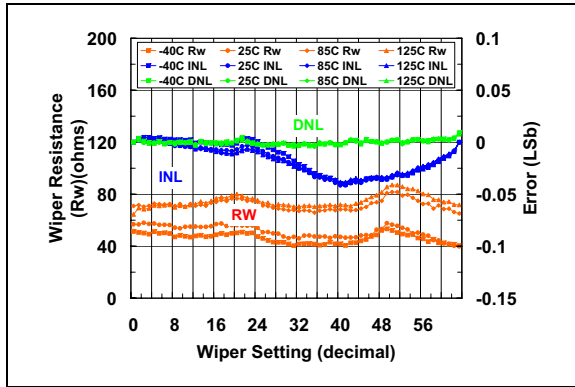


**FIGURE 2-34:**  $10\text{ k}\Omega$  – Low-Voltage Decrement Wiper Settling Time ( $V_{DD} = 5.5\text{V}$ ).

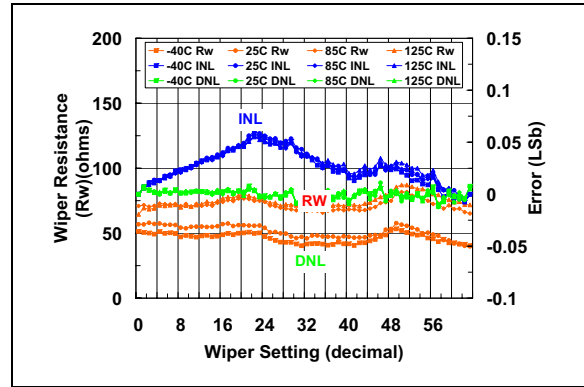


**FIGURE 2-36:**  $10\text{ k}\Omega$  – Low-Voltage Increment Wiper Settling Time ( $V_{DD} = 5.5\text{V}$ ).

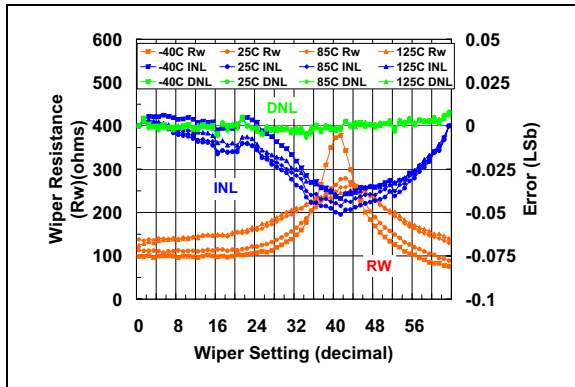
**Note:** Unless otherwise indicated,  $T_A = +25^\circ\text{C}$ ,  $V_{DD} = 5\text{V}$ ,  $V_{SS} = 0\text{V}$ .



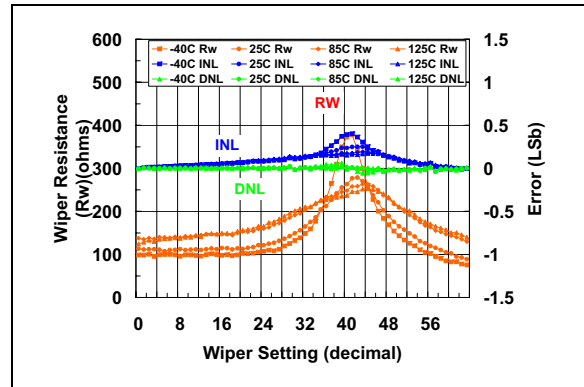
**FIGURE 2-37:** 50 k $\Omega$  Pot Mode –  $R_W$  ( $\Omega$ ), INL (LSb), DNL (LSb) vs. Wiper Setting and Ambient Temperature ( $V_{DD} = 5.5\text{V}$ ).



**FIGURE 2-39:** 50 k $\Omega$  Rheo Mode –  $R_W$  ( $\Omega$ ), INL (LSb), DNL (LSb) vs. Wiper Setting and Ambient Temperature ( $V_{DD} = 5.5\text{V}$ ).



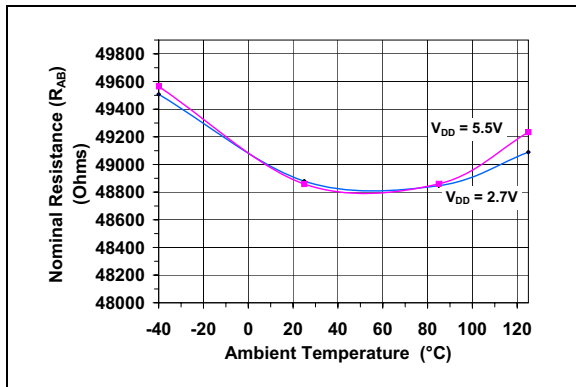
**FIGURE 2-38:** 50 k $\Omega$  Pot Mode –  $R_W$  ( $\Omega$ ), INL (LSb), DNL (LSb) vs. Wiper Setting and Ambient Temperature ( $V_{DD} = 2.7\text{V}$ ).



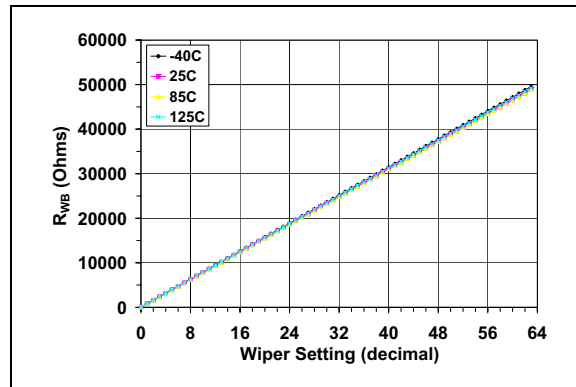
**FIGURE 2-40:** 50 k $\Omega$  Rheo Mode –  $R_W$  ( $\Omega$ ), INL (LSb), DNL (LSb) vs. Wiper Setting and Ambient Temperature ( $V_{DD} = 2.7\text{V}$ ).

# MCP4021/2/3/4

Note: Unless otherwise indicated,  $T_A = +25^\circ\text{C}$ ,  $V_{DD} = 5\text{V}$ ,  $V_{SS} = 0\text{V}$ .

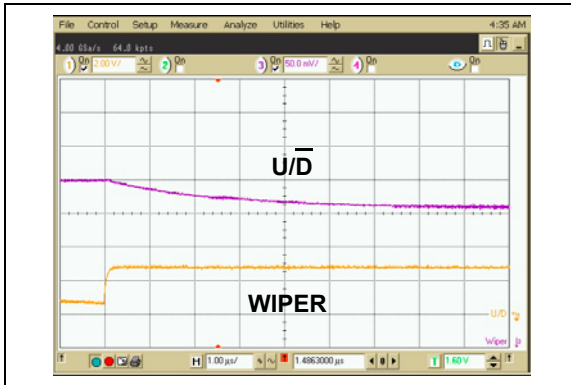


**FIGURE 2-41:**  $50\text{ k}\Omega$ —Nominal Resistance ( $\Omega$ ) vs. Ambient Temperature and  $V_{DD}$ .

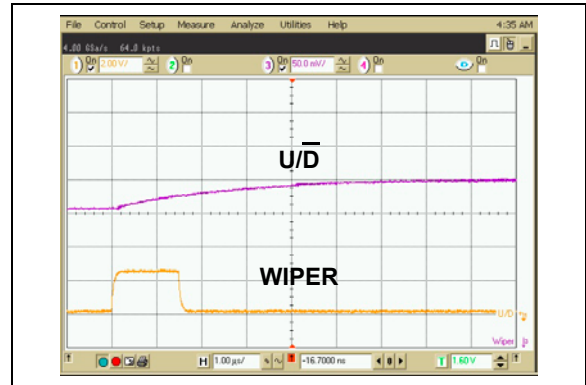


**FIGURE 2-42:**  $50\text{ k}\Omega$ — $R_{WB}$  ( $\Omega$ ) vs. Wiper Setting and Ambient Temperature.

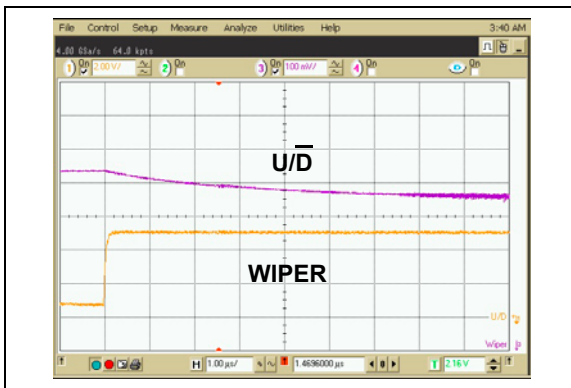
**Note:** Unless otherwise indicated,  $T_A = +25^\circ\text{C}$ ,  $V_{DD} = 5\text{V}$ ,  $V_{SS} = 0\text{V}$ .



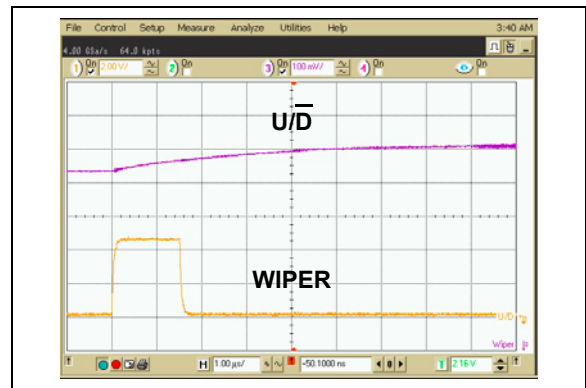
**FIGURE 2-43:** 50 k $\Omega$  – Low-Voltage Decrement Wiper Settling Time ( $V_{DD} = 2.7\text{V}$ ).



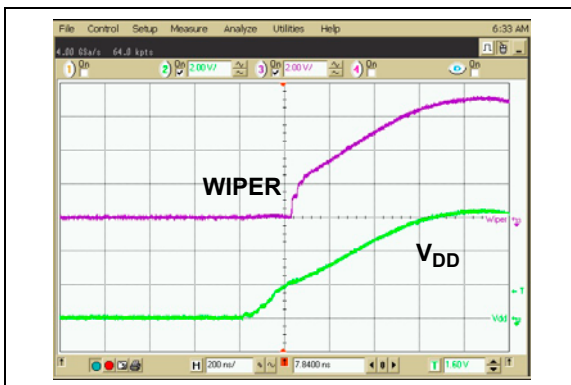
**FIGURE 2-46:** 50 k $\Omega$  – Low-Voltage Increment Wiper Settling Time ( $V_{DD} = 2.7\text{V}$ ).



**FIGURE 2-44:** 50 k $\Omega$  – Low-Voltage Decrement Wiper Settling Time ( $V_{DD} = 5.5\text{V}$ ).



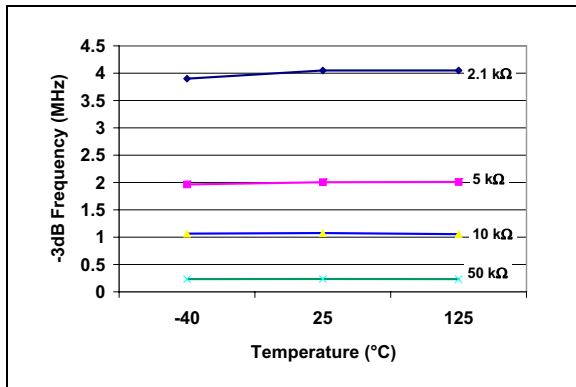
**FIGURE 2-47:** 50 k $\Omega$  – Low-Voltage Increment Wiper Settling Time ( $V_{DD} = 5.5\text{V}$ ).



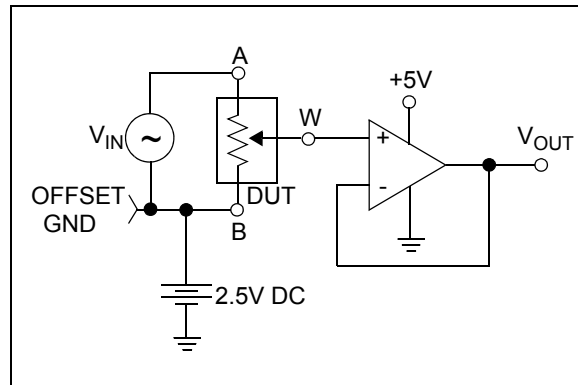
**FIGURE 2-45:** 50 k $\Omega$  – Power-Up Wiper Response Time.

# MCP4021/2/3/4

Note: Unless otherwise indicated,  $T_A = +25^\circ\text{C}$ ,  $V_{DD} = 5\text{V}$ ,  $V_{SS} = 0\text{V}$ .



**FIGURE 2-48:** -3 dB Bandwidth vs. Temperature.



**FIGURE 2-49:** -3 dB Bandwidth Test Circuit.

## 3.0 PIN DESCRIPTIONS

The descriptions of the pins are listed in [Table 3-1](#).

**TABLE 3-1: PIN FUNCTION TABLE**

| Pin Number       |                            |                    | Symbol           | Pin Type | Buffer Type | Function                     |
|------------------|----------------------------|--------------------|------------------|----------|-------------|------------------------------|
| MCP4021 (SOIC-8) | MCP4022 MCP4023 (SOT-23-6) | MCP4024 (SOT-23-5) |                  |          |             |                              |
| 1                | 1                          | 1                  | $V_{DD}$         | P        | —           | Positive Power Supply Input  |
| 2                | 2                          | 2                  | $V_{SS}$         | P        | —           | Ground                       |
| 3                | 6                          | —                  | A                | I/O      | A           | Potentiometer Terminal A     |
| 4                | 5                          | 5                  | W                | I/O      | A           | Potentiometer Wiper Terminal |
| 5                | 4                          | 4                  | $\overline{CS}$  | I        | TTL         | Chip Select Input            |
| 6                | —                          | —                  | B                | I/O      | A           | Potentiometer Terminal B     |
| 7                | —                          | —                  | NC               | —        | —           | No Connection                |
| 8                | 3                          | 3                  | $U/\overline{D}$ | I        | TTL         | Increment/Decrement Input    |

**Legend:** TTL = TTL compatible input      A = Analog input  
 I = Input    O = Output  
 P = Power

### 3.1 Positive Power Supply Input ( $V_{DD}$ )

The  $V_{DD}$  pin is the device's positive power supply input. The input power supply is relative to  $V_{SS}$  and can range from 2.7V to 5.5V. A decoupling capacitor on  $V_{DD}$  (to  $V_{SS}$ ) is recommended to achieve maximum performance.

### 3.2 Ground ( $V_{SS}$ )

The  $V_{SS}$  pin is the device ground reference.

### 3.3 Potentiometer Terminal A

The terminal A pin is connected to the internal potentiometer's terminal A (available on some devices). The potentiometer's terminal A is the fixed connection to the 0x3F terminal of the digital potentiometer.

The terminal A pin is available on the MCP4021, MCP4022 and MCP4023 devices. The terminal A pin does not have a polarity relative to the terminal W or B pins. The terminal A pin can support both positive and negative current. The voltage on terminal A must be between  $V_{SS}$  and  $V_{DD}$ .

The terminal A pin is not available on the MCP4024. The potentiometer's terminal A is internally floating.

### 3.4 Potentiometer Wiper (W) Terminal

The terminal W pin is connected to the internal potentiometer's terminal W (the wiper). The wiper terminal is the adjustable terminal of the digital potentiometer. The terminal W pin does not have a polarity relative to terminals A or B pins. The terminal W pin can support both positive and negative current. The voltage on terminal W must be between  $V_{SS}$  and  $V_{DD}$ .

### 3.5 Potentiometer Terminal B

The terminal B pin is connected to the internal potentiometer's terminal B (available on some devices). The potentiometer's terminal B is the fixed connection to the 0x00 terminal of the digital potentiometer.

The terminal B pin is available on the MCP4021 device. The terminal B pin does not have a polarity relative to the terminal W or A pins. The terminal B pin can support both positive and negative current. The voltage on terminal B must be between  $V_{SS}$  and  $V_{DD}$ .

The terminal B pin is not available on the MCP4022, MCP4023 and MCP4024 devices.

For the MCP4023 and MCP4024, the internal potentiometer's terminal B is internally connected to  $V_{SS}$ . Terminal B does not have a polarity relative to terminals W or A. Terminal B can support both positive and negative current.

For the MCP4022, terminal B is internally floating.



# MCP4021/2/3/4

---

## 3.6 $\overline{\text{CS}}$ Chip Select ( $\overline{\text{CS}}$ )

The  $\overline{\text{CS}}$  pin is the chip select input. Forcing the  $\overline{\text{CS}}$  pin to  $V_{\text{IL}}$  enables the serial commands. These commands can increment and decrement the wiper. Depending on the command, the wiper may (or may not) be saved to non-volatile memory (EEPROM). Forcing the  $\overline{\text{CS}}$  pin to  $V_{\text{IHH}}$  enables the high-voltage serial commands. These commands can increment and decrement the wiper and enable or disable the WiperLock technology. The wiper is saved to non-volatile memory (EEPROM).

The  $\overline{\text{CS}}$  pin has an internal pull-up resistor. The resistor will become “disabled” when the voltage on the  $\overline{\text{CS}}$  pin is below the  $V_{\text{IH}}$  level. This means that when the  $\overline{\text{CS}}$  pin is “floating”, the  $\overline{\text{CS}}$  pin will be pulled to the  $V_{\text{IH}}$  level (serial communication (the U/D pin) is ignored). And when the  $\overline{\text{CS}}$  pin is driven low ( $V_{\text{IL}}$ ), the resistance becomes very large to reduce the device current consumption when serial commands are occurring. See [Figure 2-4](#) for additional information.

## 3.7 Increment/Decrement ( $\overline{\text{U/D}}$ )

The  $\overline{\text{U/D}}$  pin input is used to increment or decrement the wiper on the digital potentiometer. An increment moves the wiper one step toward terminal A, while a decrement moves the wiper one step toward terminal B.

## 4.0 GENERAL OVERVIEW

The MCP402X devices are general purpose digital potentiometers intended to be used in applications where a programmable resistance with moderate bandwidth is desired.

Applications generally suited for the MCP402X devices include:

- Set point or offset trimming
- Sensor calibration
- Selectable gain and offset amplifier designs
- Cost-sensitive mechanical trim pot replacement

The digital potentiometer is available in four nominal resistances ( $R_{AB}$ ), where the nominal resistance is defined as the resistance between terminal A and terminal B. The four nominal resistances are 2.1 k $\Omega$ , 5 k $\Omega$ , 10 k $\Omega$  and 50 k $\Omega$ .

There are 63 resistors in a string between terminal A and terminal B. The wiper can be set to tap onto any of these 63 resistors thus providing 64 possible settings (including terminal A and terminal B).

Figure 4-1 shows a block diagram for the resistive network of the device. Equation 4-1 shows the calculation for the step resistance, while Equation 4-2 illustrates the calculation used to determine the resistance between the wiper and terminal B.

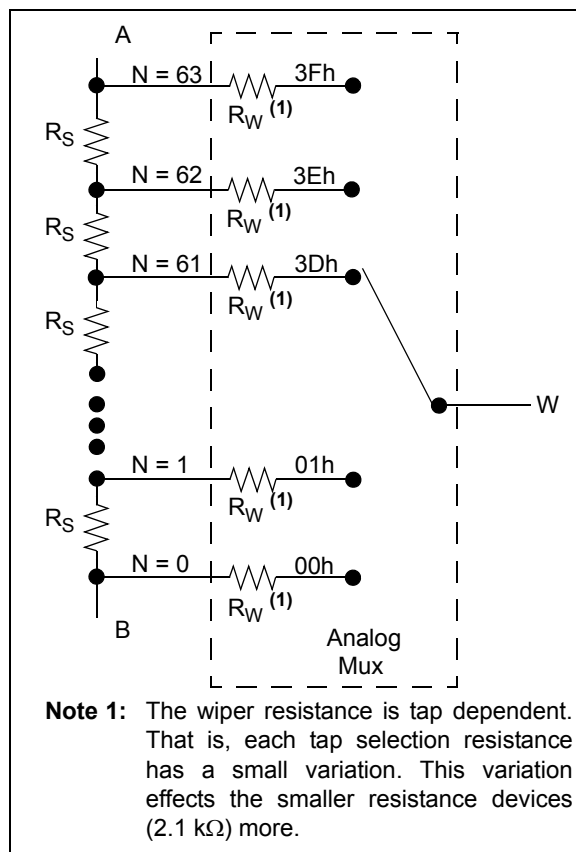


FIGURE 4-1: Resistor Block Diagram.

### EQUATION 4-1: $R_S$ CALCULATION

$$R_S = \frac{R_{AB}}{63}$$

### EQUATION 4-2: $R_{WB}$ CALCULATION

$$R_{WB} = \frac{R_{AB}N}{63} + R_W$$

N = 0 to 63 (decimal)

1 LSb is the ideal resistance difference between two successive codes. If we use N = 1 and  $R_W = 0$  in Equation 4-2, we can calculate the step size for each increment or decrement command.

The MCP4021 device offers a voltage divider (potentiometer) with all terminals available on pins.

The MCP4022 is a true rheostat, with terminal A and the wiper (W) of the variable resistor available on pins.

The MCP4023 device offers a voltage divider (potentiometer) with terminal B connected to ground.

The MCP4024 device is a rheostat device with terminal A of the resistor floating, terminal B connected to ground, and the wiper (W) available on pin.

The MCP4021 can be externally configured to implement any of the MCP4022, MCP4023 or MCP4024 configurations.

## 4.1 Serial Interface

A 2-wire synchronous serial protocol is used to increment or decrement the digital potentiometer's wiper terminal. The Increment/Decrement (U/D) protocol utilizes the  $\overline{CS}$  and U/D input pins. Both inputs are tolerant of signals up to 12.5V without damaging the device. The  $\overline{CS}$  pin can differentiate between two high-voltage levels,  $V_{IH}$  and  $V_{IHH}$ . This enables additional commands without requiring additional input pins. The high-voltage commands ( $V_{IHH}$  on the  $\overline{CS}$  pin) are similar to the standard commands (enable, disable, ...) the state of the non-volatile WiperLock technology feature.

The simple U/D protocol uses the state of the U/D pin at the falling edge of the  $\overline{CS}$  pin to determine if Increment or Decrement mode is desired. Subsequent rising edges of the U/D pin move the wiper.

The wiper value will not underflow or overflow. The new wiper setting can be saved to EEPROM, if desired, by selecting the state of the U/D pin during the rising edge of the  $\overline{CS}$  pin.

The non-volatile wiper enables the MCP4021/2/3/4 to operate stand alone (without microcontroller control).

# MCP4021/2/3/4

## 4.2 The WiperLock™ Technology

The MCP4021/2/3/4 device's WiperLock technology allows application-specific calibration settings to be secured in the EEPROM without requiring the use of an additional write-protect pin.

The WiperLock technology prevents the serial commands from doing the following:

- Incrementing or decrementing the wiper setting
- Writing the wiper setting to the non-volatile memory

Enabling and disabling the WiperLock technology feature requires high-voltage serial commands ( $\overline{CS} = V_{IH}$ ). Incrementing and decrementing the wiper requires high-voltage commands when the feature is enabled. The high-voltage threshold ( $V_{IH}$ ) is intended to prevent the wiper setting from being altered by noise or intentional transitions on the  $\overline{U/D}$  and  $\overline{CS}$  pins, while still providing flexibility for production or calibration environments.

Both the  $\overline{CS}$  and  $\overline{U/D}$  input pins are tolerant of signals up to 12V. This allows the flexibility to multiplex the digital pot's control signals onto application signals for manufacturing/calibration.

## 4.3 Power-up

When the device powers up, the last saved wiper setting is restored.

While  $V_{DD} < V_{min}$  (2.7V), the electrical performance may not meet the data sheet specifications (see Figure 4-2). The wiper may be unknown or initialized to the value stored in the EEPROM. Also the device may be capable of incrementing, decrementing and writing to its EEPROM, if a valid command is detected on the  $\overline{CS}$  and  $\overline{U/D}$  pins.

The default settings of the MCP4021/2/3/4 device's from the factory are shown in Table 4-1.

**TABLE 4-1: DEFAULT FACTORY SETTINGS SELECTION**

| Package Code | Default POR Wiper Setting | Wiper Code | WiperLock™ Technology Setting | Typical $R_{AB}$ Value |
|--------------|---------------------------|------------|-------------------------------|------------------------|
| -202         | Mid-scale                 | 1Fh        | Disabled                      | 2.1 k $\Omega$         |
| -502         | Mid-scale                 | 1Fh        | Disabled                      | 5.0 k $\Omega$         |
| -103         | Mid-scale                 | 1Fh        | Disabled                      | 10.0 k $\Omega$        |
| -503         | Mid-scale                 | 1Fh        | Disabled                      | 50.0 k $\Omega$        |

It is good practice in your manufacturing flow to configure the device to your desired settings.

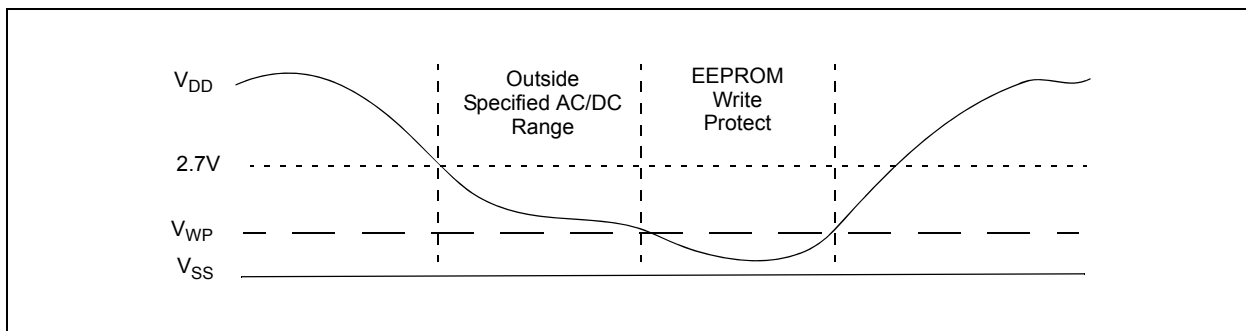
## 4.4 Brown Out

If the device  $V_{DD}$  is below the specified minimum voltage, care must be taken to ensure that the  $\overline{CS}$  and  $\overline{U/D}$  pins do not "create" any of the serial commands.

When the device  $V_{DD}$  drops below  $V_{min}$  (2.7V), the electrical performance may not meet the data sheet specifications (see Figure 4-2). The wiper may be unknown or initialized to the value stored in the EEPROM. Also the device may be capable of incrementing, decrementing and writing to its EEPROM if a valid command is detected on the  $\overline{CS}$  and  $\overline{U/D}$  pins.

## 4.5 Serial Interface Inactive

The serial interface is inactive any time the  $\overline{CS}$  pin is at  $V_{IH}$  and all write cycles are completed.



**FIGURE 4-2: Power-up and Brown-out.**

## 5.0 SERIAL INTERFACE

### 5.1 Overview

The MCP4021/2/3/4 utilizes a simple 2-wire interface to increment or decrement the digital potentiometer's wiper terminal (W), store the wiper setting in non-volatile memory and turn the WiperLock technology feature on or off. This interface uses the Chip Select ( $\overline{CS}$ ) pin, while the  $U/\overline{D}$  pin is the Up/Down input.

The Increment/Decrement protocol enables the device to move one step at a time through the range of possible resistance values. The wiper value is initialized with the value stored in the internal EEPROM upon power-up. A wiper value of 00h connects the wiper to terminal B. A wiper value of 3Fh connects the wiper to terminal A. Increment commands move the wiper toward terminal A, but will not increment to a value greater than 3Fh. Decrement commands move the wiper toward terminal B, but will not decrement below 00h.

Refer to **Section 1.0 “Electrical Characteristics”**, AC/DC Electrical Characteristics table for detailed input threshold and timing specifications.

Communication is unidirectional. Therefore, the value of the current wiper setting cannot be read out of the MCP402X device.

### 5.2 Serial Commands

The MCP402X devices support 10 serial commands. The commands can be grouped into the following types:

- Serial Commands
- High-voltage Serial Commands

All the commands are shown in [Table 5-1](#).

The command type is determined by the voltage level on the  $\overline{CS}$  pin. The initial state that the  $\overline{CS}$  pin must be driven is  $V_{IH}$ . From  $V_{IH}$ , the two levels that the  $\overline{CS}$  pin can be driven are:

- $V_{IL}$
- $V_{IHH}$

If the  $\overline{CS}$  pin is driven from  $V_{IH}$  to  $V_{IL}$ , a serial command is selected. If the  $\overline{CS}$  pin is driven from  $V_{IH}$  to  $V_{IHH}$ , a high-voltage serial command is selected.

High-voltage serial commands control the state of the WiperLock technology. This is a unique feature, where the user can determine whether or not to “lock” or “unlock” the wiper state.

High-voltage serial commands increment/decrement the wiper regardless of the status of the WiperLock technology.

**TABLE 5-1: COMMANDS**

| Command Name   | Saves Wiper Value in EEPROM | High Voltage on CS pin? | After Command Wiper is “locked”/”unlocked” | Works when Wiper is “locked”? |
|--|-----------------------------|-------------------------|--|-------------------------------|
| <a href="#">Increment without Writing Wiper Setting to EEPROM</a>              | —                           | —                       | unlocked                                   | <b>Note 1</b>                 |
| <a href="#">Increment with Writing Wiper Setting to EEPROM</a>                 | Yes                         | —                       | unlocked                                   | <b>Note 1</b>                 |
| <a href="#">Decrement without Writing Wiper Setting to EEPROM</a>              | —                           | —                       | unlocked                                   | <b>Note 1</b>                 |
| <a href="#">Decrement with Writing Wiper Setting to EEPROM</a>                 | Yes                         | —                       | unlocked                                   | <b>Note 1</b>                 |
| <a href="#">Write Wiper Setting to EEPROM</a>                                  | Yes                         | —                       | unlocked                                   | <b>Note 1</b>                 |
| <a href="#">High-Voltage Increment and Disable WiperLock Technology</a>        | Yes                         | Yes                     | unlocked                                   | Yes                           |
| <a href="#">High-Voltage Increment and Enable WiperLock Technology</a>         | Yes                         | Yes                     | locked                                     | Yes                           |
| <a href="#">High-Voltage Decrement and Disable WiperLock Technology</a>        | Yes                         | Yes                     | unlocked                                   | Yes                           |
| <a href="#">High-Voltage Decrement and Enable WiperLock Technology</a>         | Yes                         | Yes                     | locked                                     | Yes                           |
| <a href="#">Write Wiper Setting to EEPROM and Disable WiperLock Technology</a> | Yes                         | Yes                     | unlocked                                   | Yes                           |
| <a href="#">Write Wiper Setting to EEPROM and Enable WiperLock Technology</a>  | Yes                         | Yes                     | locked                                     | Yes                           |

**Note 1:** This command will only complete if wiper is “unlocked” (WiperLock Technology is Disabled).

# MCP4021/2/3/4

## 5.2.1 INCREMENT WITHOUT WRITING WIPER SETTING TO EEPROM

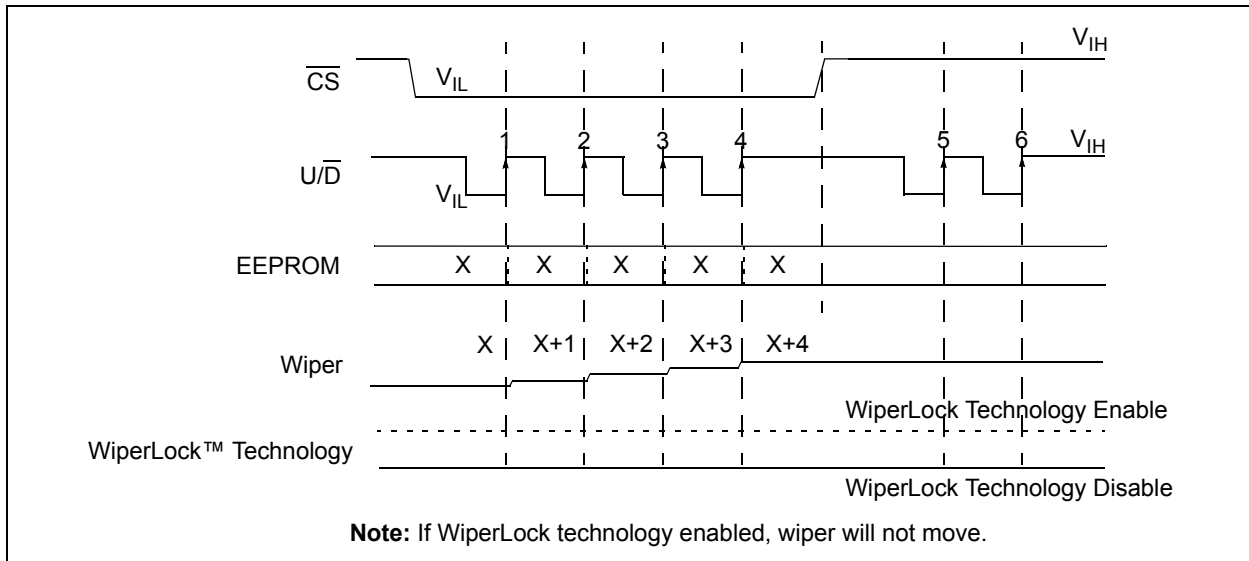
This mode is achieved by initializing the  $\overline{U/D}$  pin to a high state ( $V_{IH}$ ) prior to achieving a low state ( $V_{IL}$ ) on the  $\overline{CS}$  pin. Subsequent rising edges of the  $\overline{U/D}$  pin increment the wiper setting toward terminal A. This is shown in Figure 5-1.

After the wiper is incremented to the desired position, the  $\overline{CS}$  pin should be forced to  $V_{IH}$  to ensure that “unexpected” transitions (on the  $\overline{U/D}$  pin) do not cause the wiper setting to increment. Driving the  $\overline{CS}$  pin to  $V_{IH}$  should occur as soon as possible (within device specifications) after the last desired increment occurs.

The EEPROM value has not been updated to this new wiper value, so if the device voltage is lowered below the RAM retention voltage of the device, once the device returns to the operating range, the wiper will be loaded with the wiper setting in the EEPROM.

After the  $\overline{CS}$  pin is driven to  $V_{IH}$  (from  $V_{IL}$ ), any other serial command may immediately be entered. This is since an EEPROM write cycle ( $t_{wc}$ ) is not active.

**Note:** The wiper value will not overflow. That is, once the wiper value equals 0x3F, subsequent increment commands are ignored.



**FIGURE 5-1:** Increment without Writing Wiper Setting to EEPROM.

## 5.2.2 INCREMENT WITH WRITING WIPER SETTING TO EEPROM

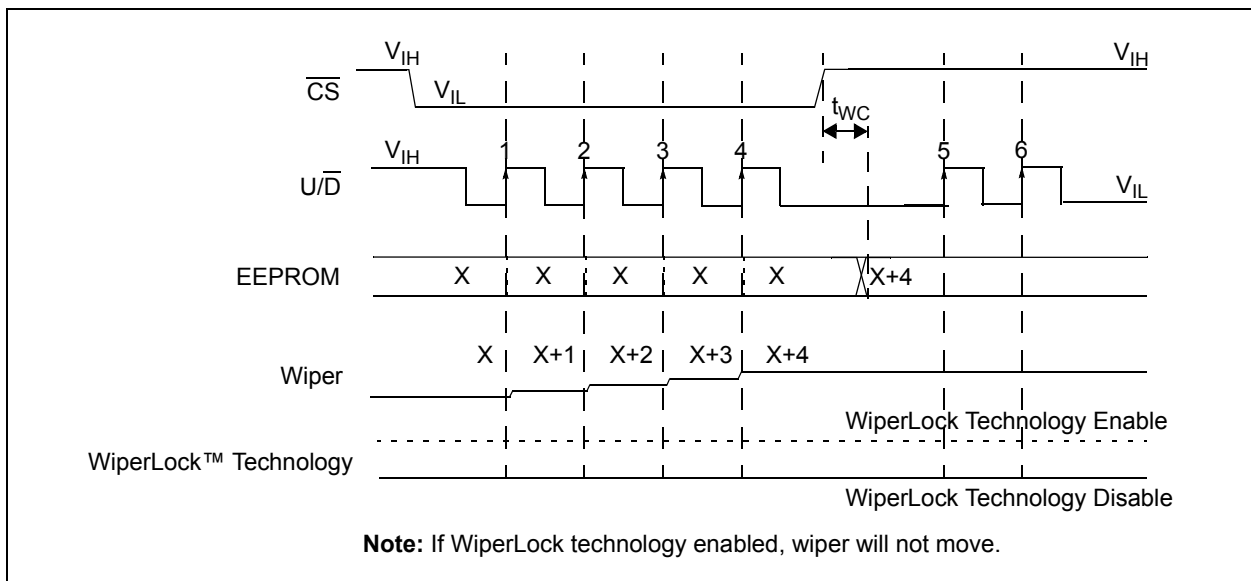
This mode is achieved by initializing the  $\overline{U/D}$  pin to a high state ( $V_{IH}$ ) prior to achieving a low state ( $V_{IL}$ ) on the  $\overline{CS}$  pin. Subsequent rising edges of the  $\overline{U/D}$  pin increment the wiper setting toward terminal A. This is shown in Figure 5-2.

After the wiper is incremented to the desired position, the  $\overline{U/D}$  pin should be driven low ( $V_{IL}$ ). Then when the  $\overline{CS}$  pin is forced to  $V_{IH}$ , the wiper value is written to the EEPROM. Therefore, if the device voltage is lowered below the RAM retention voltage of the device, once the device returns to the operating range, the wiper will be loaded with this wiper setting (stored in the EEPROM).

To ensure that “unexpected” transitions on the  $\overline{U/D}$  pin do not cause the wiper setting to increment, the  $\overline{U/D}$  pin should be driven low and the  $\overline{CS}$  pin forced to  $V_{IH}$  as soon as possible (within device specifications) after the last desired increment occurs.

After the  $\overline{CS}$  pin is driven to  $V_{IH}$  (from  $V_{IL}$ ), all other serial commands are ignored until the EEPROM write cycle ( $t_{WC}$ ) completes.

**Note:** The wiper value will not overflow. That is, once the wiper value equals 0x3F, subsequent increment commands are ignored.



**FIGURE 5-2:** Increment with Writing Wiper Setting to EEPROM.

# MCP4021/2/3/4

## 5.2.3 DECREMENT WITHOUT WRITING WIPER SETTING TO EEPROM

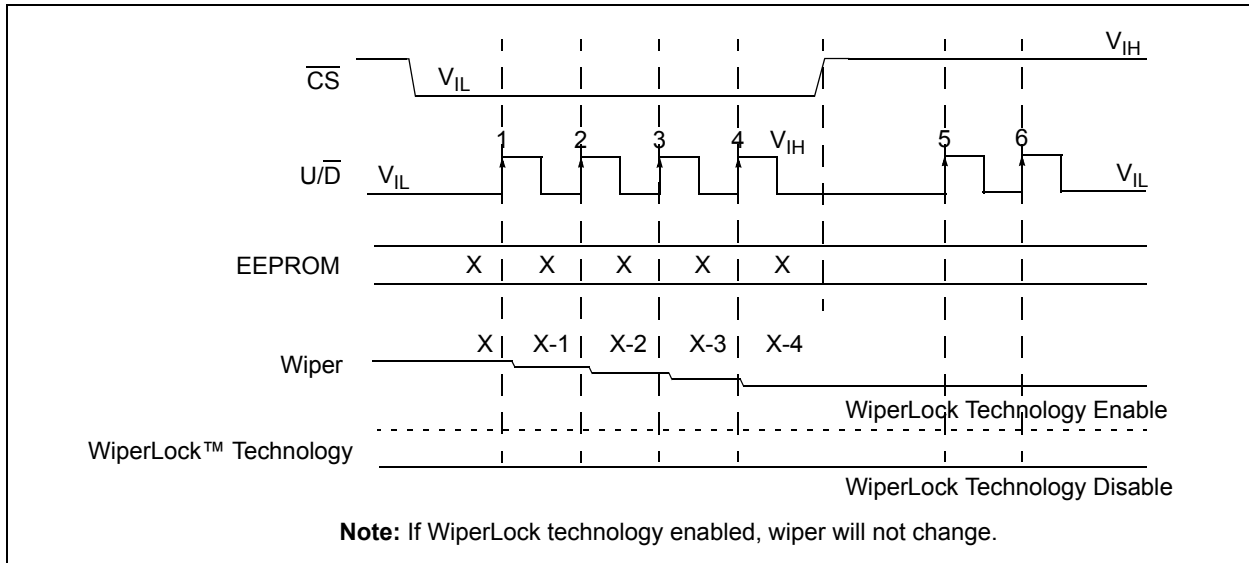
This mode is achieved by initializing the  $\overline{U/D}$  pin to a low state ( $V_{IL}$ ) prior to achieving a low state ( $V_{IL}$ ) on the  $\overline{CS}$  pin. Subsequent rising edges of the  $\overline{U/D}$  pin will decrement the wiper setting toward terminal B. This is shown in Figure 5-3.

After the wiper is decremented to the desired position, the  $\overline{U/D}$  pin should be forced low ( $V_{IL}$ ) and the  $\overline{CS}$  pin should be forced to  $V_{IH}$ . This will ensure that “unexpected” transitions on the  $\overline{U/D}$  pin do not cause the wiper setting to decrement. Driving the  $\overline{CS}$  pin to  $V_{IH}$  should occur as soon as possible (within device specifications) after the last desired increment occurs.

The EEPROM value has not been updated to this new wiper value, so, if the device voltage is lowered below the RAM retention voltage of the device, once the device returns to the operating range, the wiper will be loaded with the wiper setting in the EEPROM.

After the  $\overline{CS}$  pin is driven to  $V_{IH}$  (from  $V_{IL}$ ), any other serial command may immediately be entered, since an EEPROM write cycle ( $t_{WC}$ ) is not started.

**Note:** The wiper value will not underflow. That is, once the wiper value equals 0x00, subsequent decrement commands are ignored.



**FIGURE 5-3:** Decrement without Writing Wiper Setting to EEPROM.

## 5.2.4 DECREMENT WITH WRITING WIPER SETTING TO EEPROM

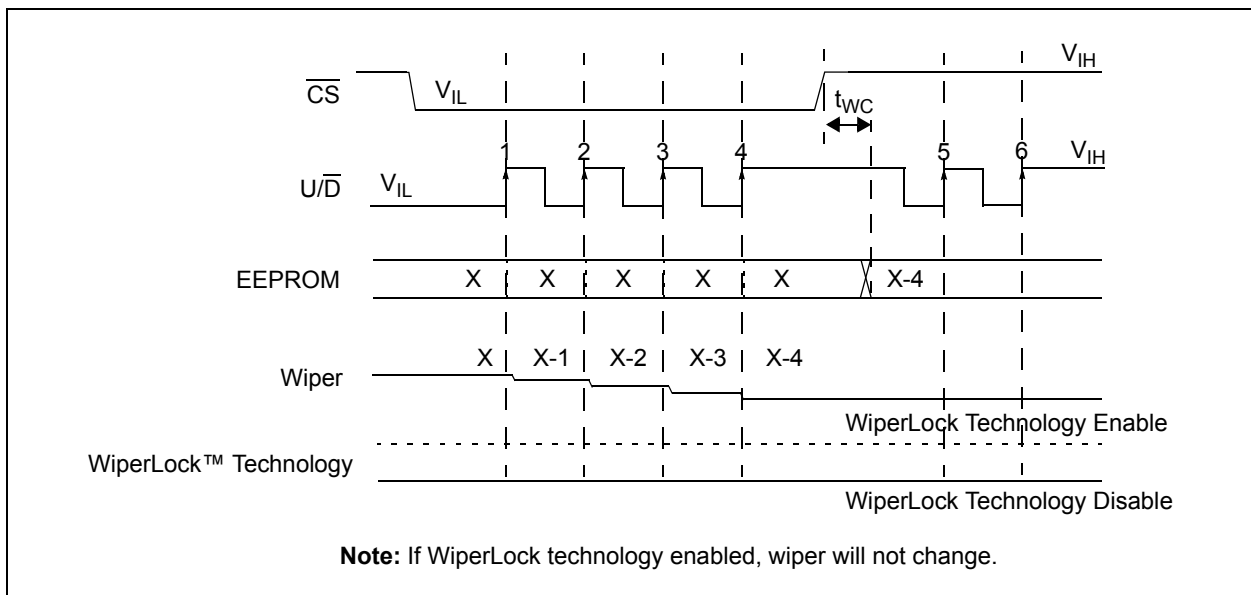
This mode is achieved by initializing the  $\overline{U/D}$  pin to a low state ( $V_{IL}$ ) prior to achieving a low state ( $V_{IL}$ ) on the  $\overline{CS}$  pin. Subsequent rising edges of the  $\overline{U/D}$  pin decrement the wiper setting (toward terminal B). This is shown in Figure 5-4.

After the wiper is decremented to the desired position, the  $\overline{U/D}$  pin should remain high ( $V_{IH}$ ). Then when the  $\overline{CS}$  pin is raised to  $V_{IH}$ , the wiper value is written to the EEPROM. Therefore, if the device voltage is lowered below the RAM retention voltage of the device, once the device returns to the operating range, the wiper will be loaded with this wiper setting (stored in the EEPROM).

To ensure that “unexpected” transitions on the  $\overline{U/D}$  pin do not cause the wiper setting to decrement, the  $\overline{U/D}$  pin should be driven low ( $V_{IL}$ ) and the  $\overline{CS}$  pin forced to  $V_{IH}$  as soon as possible (within device specifications) after the last desired increment occurs.

After the  $\overline{CS}$  pin is driven to  $V_{IH}$  (from  $V_{IL}$ ), all other serial commands are ignored until the EEPROM write cycle ( $t_{WC}$ ) completes.

**Note:** The wiper value will not underflow. That is, once the wiper value equals 0x00, subsequent decrement commands are ignored.



**FIGURE 5-4:** Decrement with Writing Wiper Setting to EEPROM.



# MCP4021/2/3/4

## 5.2.5 WRITE WIPER SETTING TO EEPROM

To write the current wiper setting to EEPROM, force both the  $\overline{CS}$  pin and  $U/\overline{D}$  pin to  $V_{IH}$ . Then force the  $\overline{CS}$  pin to  $V_{IL}$ . Before there is a rising edge on the  $U/\overline{D}$  pin, force the  $\overline{CS}$  pin to  $V_{IH}$ . This causes the wiper setting value to be written to EEPROM.

**Note:** After the  $U/\overline{D}$  pin is forced to  $V_{IL}$ , each rising edge on the  $U/\overline{D}$  pin will cause the wiper to increment. This is the same command as the “**Increment with Writing Wiper Setting to EEPROM**” command, but the  $U/\overline{D}$  pin is held at  $V_{IL}$ , so the wiper is not incremented.

When the  $\overline{CS}$  pin is forced to  $V_{IH}$ , the wiper value is written to the EEPROM. Therefore, if the device voltage is lowered below the RAM retention voltage of the device, once the device returns to the operating range, the wiper will be loaded with this wiper setting (stored in the EEPROM).

To ensure that “unexpected” transitions on the  $U/\overline{D}$  pin do not cause the wiper setting to increment, force the  $\overline{CS}$  pin to  $V_{IH}$  as soon as possible (within device specifications) after the  $U/\overline{D}$  pin is forced to  $V_{IL}$ .

After the  $\overline{CS}$  pin is driven to  $V_{IH}$  (from  $V_{IL}$ ), all other serial commands are ignored until the EEPROM write cycle ( $t_{WC}$ ) completes.

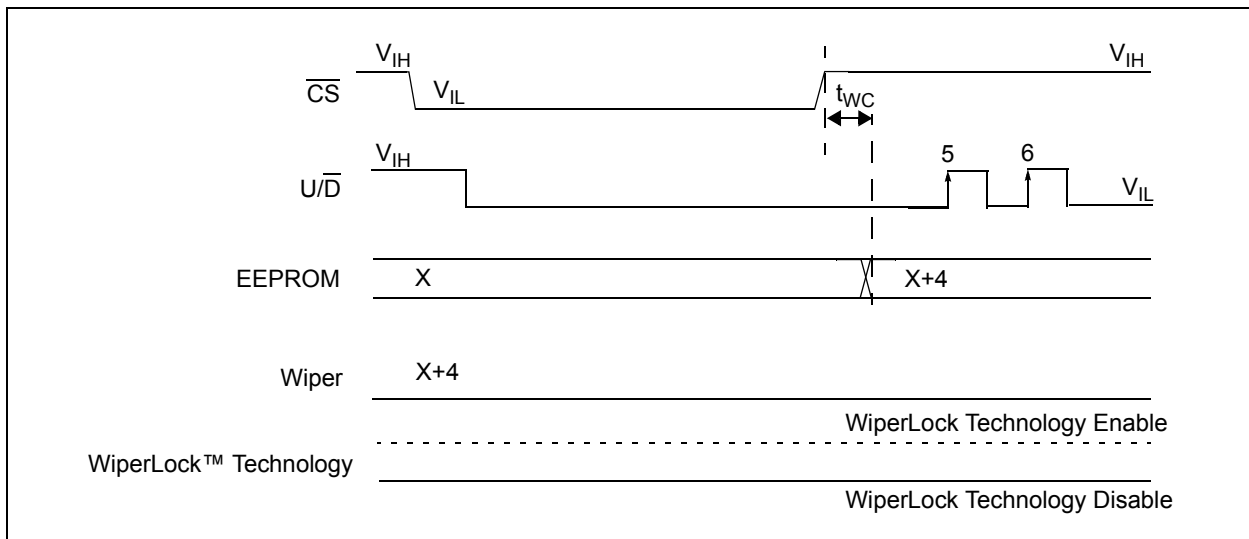


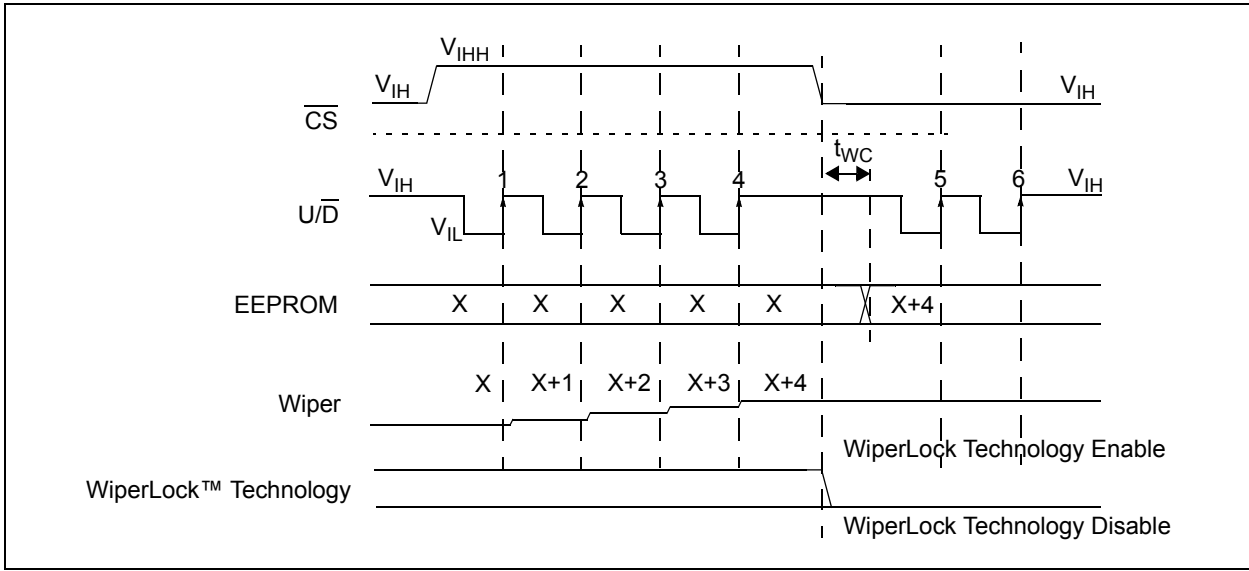
FIGURE 5-5: Write Wiper Setting to EEPROM.

## 5.2.6 HIGH-VOLTAGE INCREMENT AND DISABLE WiperLock TECHNOLOGY

This mode is achieved by initializing the  $\overline{U/D}$  pin to a high state ( $V_{IH}$ ) prior to the  $\overline{CS}$  pin being driven to  $V_{IHH}$ . Subsequent rising edges of the  $\overline{U/D}$  pin increment the wiper setting toward terminal A. Set the  $\overline{U/D}$  pin to the high state ( $V_{IH}$ ) prior to forcing the  $\overline{CS}$  pin to  $V_{IHH}$ . This begins a write cycle and disables the WiperLock Technology feature (See Figure 5-6).

After the  $\overline{CS}$  pin is driven to  $V_{IH}$  (from  $V_{IHH}$ ), all other serial commands are ignored until the EEPROM write cycle ( $t_{WC}$ ) completes.

**Note:** The wiper value will not overflow. That is, once the wiper value equals 0x3F, subsequent increment commands are ignored.



**FIGURE 5-6:** High-Voltage Increment and Disable WiperLock™ Technology.

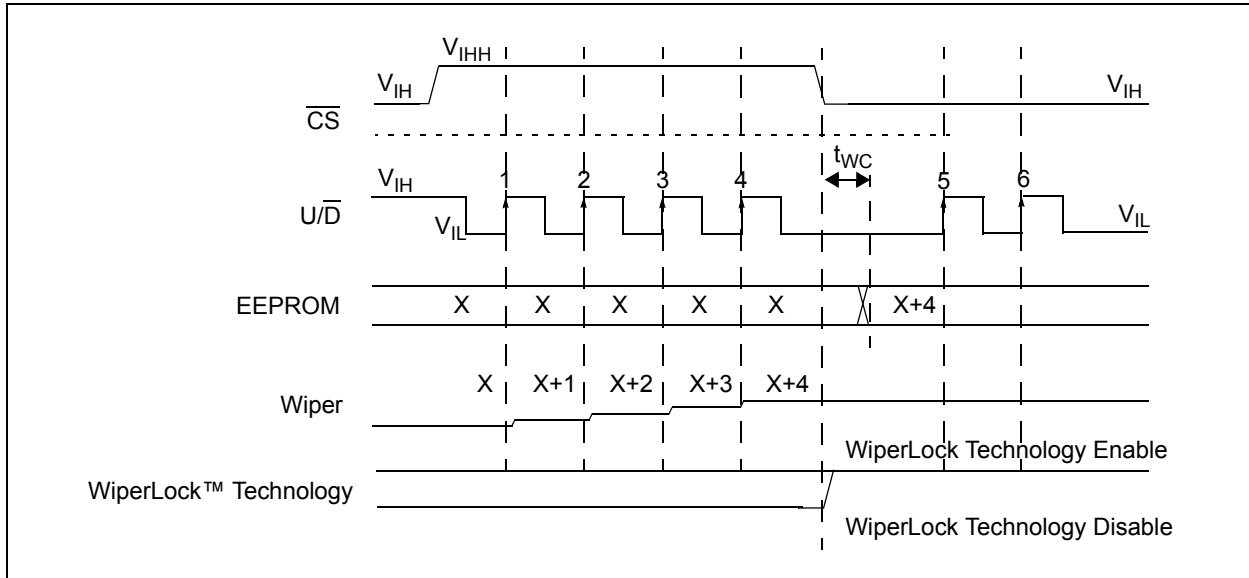
# MCP4021/2/3/4

## 5.2.7 HIGH-VOLTAGE INCREMENT AND ENABLE WIPERLOCK TECHNOLOGY

This mode is achieved by initializing the  $\overline{U/D}$  pin to a high state ( $V_{IH}$ ) prior to the  $\overline{CS}$  pin being driven to  $V_{IHH}$ . Subsequent rising edges of the  $\overline{U/D}$  pin increment the wiper setting toward terminal A. Set the  $\overline{U/D}$  pin to the low state ( $V_{IL}$ ) prior to forcing the  $\overline{CS}$  pin to  $V_{IH}$ . This begins a write cycle and enables the WiperLock Technology feature (See Figure 5-7).

After the  $\overline{CS}$  pin is driven to  $V_{IH}$  (from  $V_{IHH}$ ), all other serial commands are ignored until the EEPROM write cycle ( $t_{WC}$ ) completes.

**Note:** The wiper value will not overflow. That is, once the wiper value equals 0x3F, subsequent increment commands are ignored.



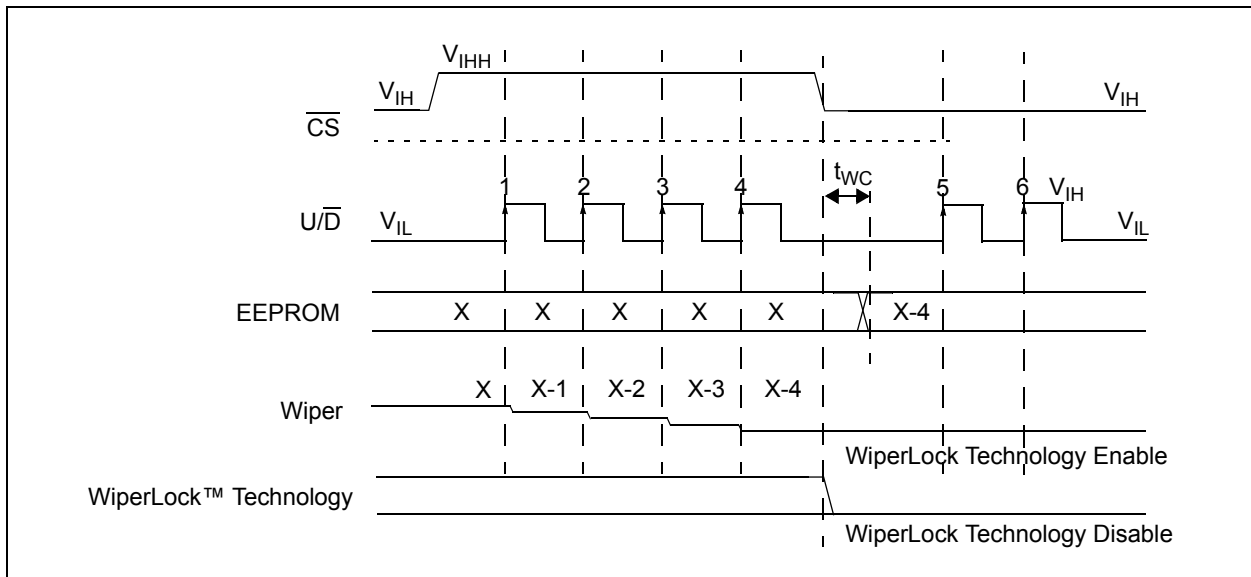
**FIGURE 5-7:** High-Voltage Increment and Enable WiperLock™ Technology.

## 5.2.8 HIGH-VOLTAGE DECREMENT AND DISABLE WiperLock TECHNOLOGY

This mode is achieved by initializing the  $\overline{U/D}$  pin to a low state ( $V_{IL}$ ) prior to the  $\overline{CS}$  pin being driven to  $V_{IHH}$ . Subsequent rising edges of the  $\overline{U/D}$  pin decrement the wiper setting toward terminal B. Set the  $\overline{U/D}$  pin to the low state ( $V_{IL}$ ) prior to forcing the  $\overline{CS}$  pin to  $V_{IH}$ . This begins a write cycle and disables the WiperLock Technology feature (See Figure 5-8).

After the  $\overline{CS}$  pin is driven to  $V_{IH}$  (from  $V_{IHH}$ ), all other serial commands are ignored until the EEPROM write cycle ( $t_{WC}$ ) completes.

**Note:** The wiper value will not underflow. That is, once the wiper value equals 0x00, subsequent decrement commands are ignored.



**FIGURE 5-8:** High-Voltage Decrement and Disable WiperLock™ Technology.

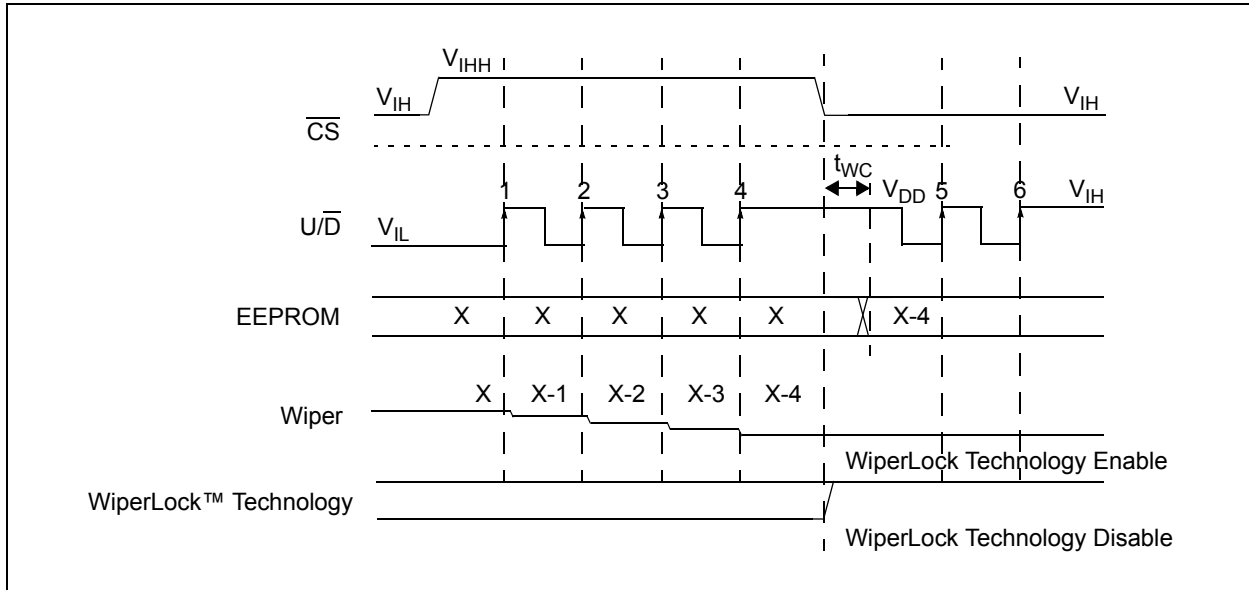
# MCP4021/2/3/4

## 5.2.9 HIGH-VOLTAGE DECREMENT AND ENABLE WiperLock TECHNOLOGY

This mode is achieved by initializing the  $\overline{U/D}$  pin to the low state ( $V_{IL}$ ) prior to driving the  $\overline{CS}$  pin to  $V_{IHH}$ . Subsequent rising edges of the  $\overline{U/D}$  pin decrement the wiper setting toward terminal B. Set the  $\overline{U/D}$  pin to a high state ( $V_{IH}$ ) prior to forcing the  $\overline{CS}$  pin to  $V_{IH}$ . This begins a write cycle and enables the WiperLock Technology feature (See Figure 5-9).

After the  $\overline{CS}$  pin is driven to  $V_{IH}$  (from  $V_{IHH}$ ), all other serial commands are ignored until the EEPROM write cycle ( $t_{WC}$ ) completes.

**Note:** The wiper value will not underflow. That is, once the wiper value equals 0x00, subsequent decrement commands are ignored.



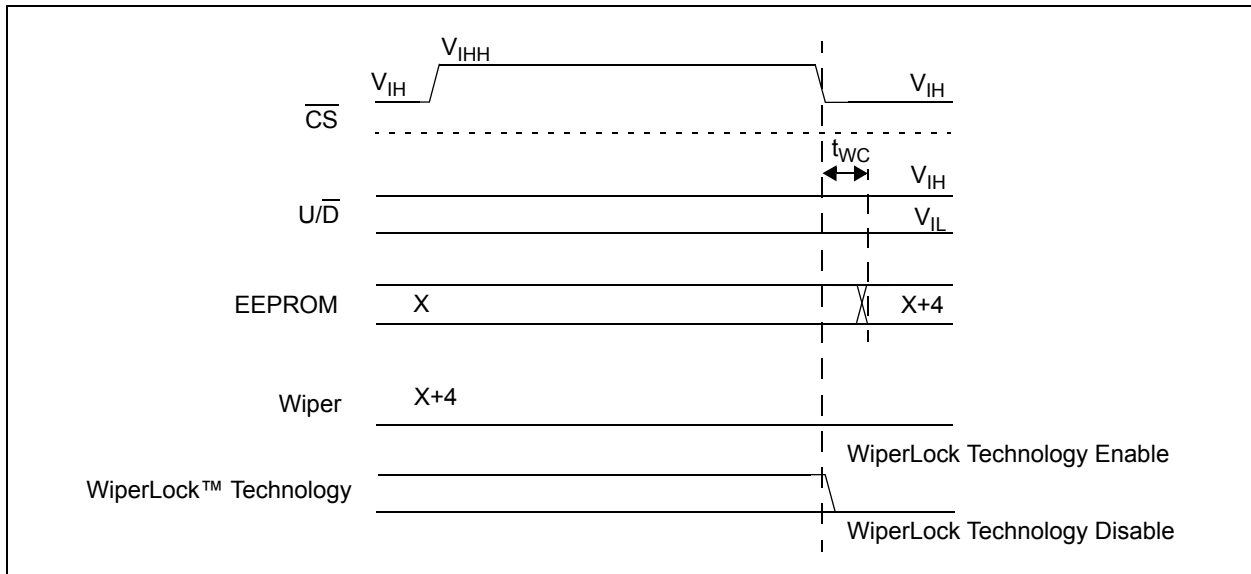
**FIGURE 5-9:** High-Voltage Decrement and Enable WiperLock™ Technology.

## 5.2.10 WRITE WIPER SETTING TO EEPROM AND DISABLE WiperLock TECHNOLOGY

This mode is achieved by keeping the  $\overline{U/D}$  pin static (either at  $V_{IL}$  or at  $V_{IH}$ ), while the  $\overline{CS}$  pin is driven from  $V_{IH}$  to  $V_{IHH}$  and then returned to  $V_{IH}$ . When the falling edge of the  $\overline{CS}$  pin occurs (from  $V_{IHH}$  to  $V_{IH}$ ), the wiper value is written to EEPROM and the WiperLock Technology is disabled (See Figure 5-10).

To ensure that “unexpected” transitions on the  $\overline{U/D}$  pin do not cause the wiper setting to change, force the  $\overline{CS}$  pin to  $V_{IH}$  as soon as possible (within device specifications) after the  $\overline{CS}$  pin is forced to  $V_{IHH}$ .

After the  $\overline{CS}$  pin is driven to  $V_{IH}$  (from  $V_{IHH}$ ), all other serial commands are ignored until the EEPROM write cycle ( $t_{WC}$ ) completes.



**FIGURE 5-10:** Write Wiper Setting to EEPROM and Disable WiperLock™ Technology.

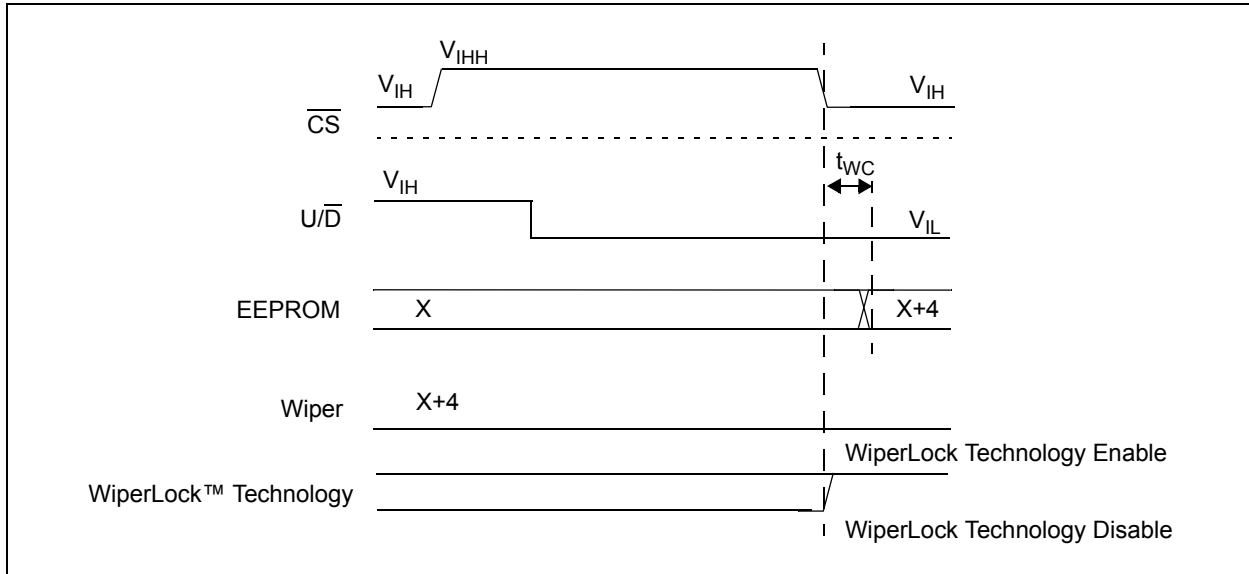
# MCP4021/2/3/4

## 5.2.11 WRITE WIPER SETTING TO EEPROM AND ENABLE WiperLock TECHNOLOGY

This mode is achieved by initializing the  $\overline{U/D}$  and  $\overline{CS}$  pins to a high state ( $V_{IH}$ ) prior to the  $\overline{CS}$  pin being driven to  $V_{IHH}$  (from  $V_{IH}$ ). Set the  $\overline{U/D}$  pin to a low state ( $V_{IL}$ ) prior to forcing the  $\overline{CS}$  pin to  $V_{IH}$  (from  $V_{IHH}$ ). This begins a write cycle and enables the WiperLock Technology feature (See Figure 5-11).

To ensure that “unexpected” transitions on the  $\overline{U/D}$  pin do not cause the wiper setting to increment, force the  $\overline{CS}$  pin to  $V_{IH}$  as soon as possible (within device specifications) after the  $\overline{U/D}$  pin is forced to  $V_{IL}$ .

After the  $\overline{CS}$  pin is driven to  $V_{IH}$  (from  $V_{IHH}$ ), all other serial commands are ignored until the EEPROM write cycle ( $t_{WC}$ ) completes.



**FIGURE 5-11:** Write Wiper Setting to EEPROM and Enable WiperLock™ Technology.

## 5.3 $\overline{\text{CS}}$ High Voltage

Depending on the requirements of the system, the use of high voltage ( $V_{\text{IHH}}$ ) on the  $\overline{\text{CS}}$  pin, may or may not be required during system operation. Table 5-2 shows possible system applications, and whether a high voltage ( $V_{\text{IHH}}$ ) is required on the system.

The MCP402X supports six high-voltage commands (the  $\overline{\text{CS}}$  input voltage must meet the  $V_{\text{IHH}}$  specification).

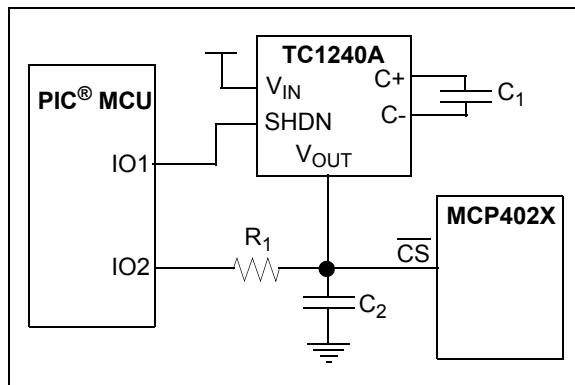
**TABLE 5-2: HIGH-VOLTAGE APPLICATIONS**

| System Operation   | High Voltage          |
|--|-----------------------|
| Production calibration only - system should not update wiper setting | From Calibration Unit |
| WiperLock™ Technogy disabled during system operation                 | Not Required          |
| Wiper setting can be updated and “locked” during system operation    | Required              |

### 5.3.1 TECHNIQUES TO FORCE THE $\overline{\text{CS}}$ PIN TO $V_{\text{IHH}}$

The circuit in Figure 5-12 shows a method using the TC1240A doubling charge pump. When the SHDN pin is high, the TC1240A is off, and the level on the  $\overline{\text{CS}}$  pin is controlled by the PIC® microcontrollers (MCUs) IO2 pin.

When the SHDN pin is low, the TC1240A is on and the  $V_{\text{OUT}}$  voltage is  $2 * V_{\text{DD}}$ . The resistor  $R_1$  allows the  $\overline{\text{CS}}$  pin to go higher than the voltage such that the PIC MCU’s IO2 pin “clamps” at approximately  $V_{\text{DD}}$ .



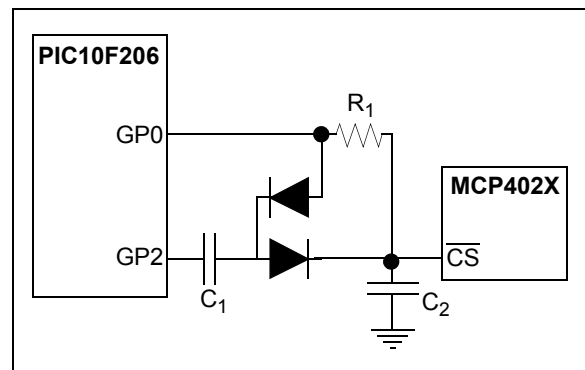
**FIGURE 5-12:** Using the TC1240A to generate the  $V_{\text{IHH}}$  voltage.

The circuit in Figure 5-13 shows the method used on the MCP402X Non-volatile Digital Potentiometer Evaluation Board. This method requires that the system voltage be approximately 5V. This ensures that when the PIC10F206 enters a brown-out condition, there is an insufficient voltage level on the  $\overline{\text{CS}}$  pin to change the stored value of the wiper. The MCP402X Non-volatile Digital Potentiometer Evaluation Board User’s Guide (DS51546) contains a complete schematic.

GP0 is a general purpose I/O pin, while GP2 can either be a general purpose I/O pin or it can output the internal clock.

For the serial commands, configure the GP2 pin as an input (high impedance). The output state of the GP0 pin will determine the voltage on the  $\overline{\text{CS}}$  pin ( $V_{\text{IL}}$  or  $V_{\text{IH}}$ ).

For high-voltage serial commands, force the GP0 output pin to output a high level ( $V_{\text{OH}}$ ) and configure the GP2 pin to output the internal clock. This will form a charge pump and increase the voltage on the  $\overline{\text{CS}}$  pin (when the system voltage is approximately 5V).



**FIGURE 5-13:** MCP402X Non-volatile Digital Potentiometer Evaluation Board (MCP402XEV) implementation to generate the  $V_{\text{IHH}}$  voltage.



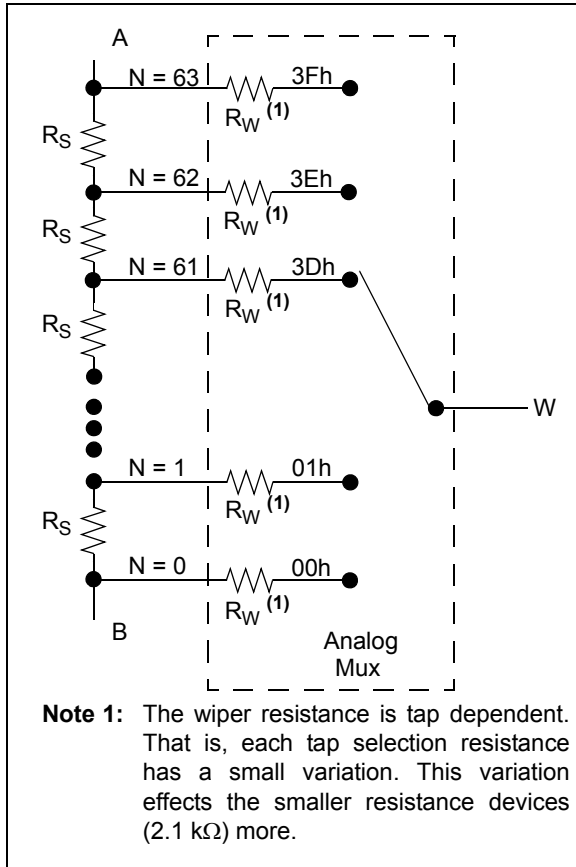
# MCP4021/2/3/4

## 6.0 RESISTOR

Digital potentiometer applications can be divided into two categories:

- Rheostat configuration
- Potentiometer (or voltage divider) configuration

Figure 6-1 shows a block diagram for the MCP402X resistors.



**FIGURE 6-1:** Resistor Block Diagram.

Step resistance ( $R_S$ ) is the resistance from one tap setting to the next. This value will be dependent on the  $R_{AB}$  value that has been selected. Table 6-1 shows the typical step resistances for each device.

The total resistance of the device has minimal variation due to operating voltage (see Figure 2-6, Figure 2-17, Figure 2-27 or Figure 2-37).

**TABLE 6-1: TYPICAL STEP RESISTANCES**

| Part Number  | Typical Resistance ( $\Omega$ ) |                |
|--------------|---------------------------------|----------------|
|              | Total ( $R_{AB}$ )              | Step ( $R_S$ ) |
| MCP402X-203E | 2100                            | 33.33          |
| MCP402X-503E | 5000                            | 79.37          |
| MCP402X-104E | 10000                           | 158.73         |
| MCP402X-504E | 50000                           | 793.65         |

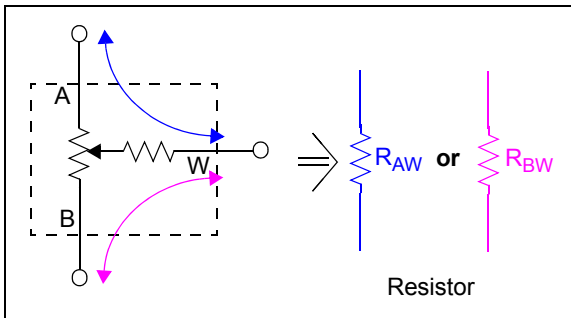
Terminal A and B, as well as the wiper W, do not have a polarity. These terminals can support both positive and negative current.

## 6.1 Resistor Configurations

### 6.1.1 RHEOSTAT CONFIGURATION

When used as a rheostat, two of the three digital potentiometer's terminals are used as a resistive element in the circuit. With terminal W (wiper) and either terminal A or terminal B, a variable resistor is created. The resistance will depend on the tap setting of the wiper and the wiper's resistance. The resistance is controlled by changing the wiper setting.

The unused terminal (B or A) should be left floating. [Figure 6-2](#) shows the two possible resistors that can be used. Reversing the polarity of the A and B terminals will not affect operation.



**FIGURE 6-2:** Rheostat Configuration.

This allows the control of the total resistance between the two nodes. The total resistance depends on the “starting” terminal to the wiper terminal. At the code 00h, the  $R_{BW}$  resistance is minimal ( $R_W$ ), but the  $R_{AW}$  resistance is maximized ( $R_{AB} + R_W$ ). Conversely, at the code 3Fh, the  $R_{AW}$  resistance is minimal ( $R_W$ ), but the  $R_{BW}$  resistance is maximized ( $R_{AB} + R_W$ ).

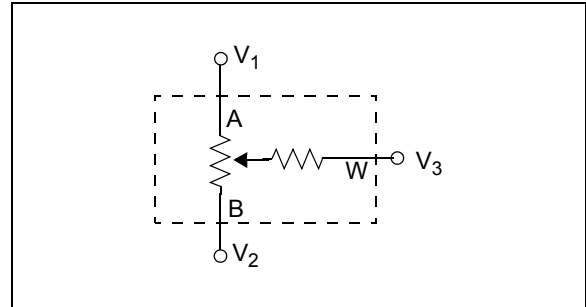
The resistance step size ( $R_S$ ) equates to one LSb of the resistor.

**Note:** To avoid damage to the internal wiper circuitry in this configuration, care should be taken to insure the current flow never exceeds 2.5 mA.

The change in wiper-to-end terminal resistance over temperature is shown in [Figure 2-6](#), [Figure 2-17](#), [Figure 2-27](#) and [Figure 2-37](#). The most variation over temperature will occur in the first few codes due to the wiper resistance coefficient affecting the total resistance. The remaining codes are dominated by the total resistance tempco  $R_{AB}$ .

### 6.1.2 POTENTIOMETER CONFIGURATION

When used as a potentiometer, all three terminals are tied to different nodes in the circuit. This allows the potentiometer to output a voltage proportional to the input voltage. This configuration is sometimes called voltage divider mode. The potentiometer is used to provide a variable voltage by adjusting the wiper position between the two endpoints as shown in [Figure 6-3](#). Reversing the polarity of the A and B terminals will not affect operation.



**FIGURE 6-3:** Potentiometer Configuration.

The temperature coefficient of the  $R_{AB}$  resistors is minimal by design. In this configuration, the resistors all change uniformly, so minimal variation should be seen.

The wiper resistor temperature coefficient is different from the  $R_{AB}$  temperature coefficient. The voltage at node  $V_3$  ([Figure 6-3](#)) is not dependent on this wiper resistance, just the ratio of the  $R_{AB}$  resistors, so this temperature coefficient in most cases can be ignored.

**Note:** To avoid damage to the internal wiper circuitry in this configuration, care should be taken to insure the current flow never exceeds 2.5 mA.

# MCP4021/2/3/4

## 6.2 Wiper Resistance

Wiper resistance is the series resistance of the wiper. This resistance is typically measured when the wiper is positioned at either zero-scale (00h) or full-scale (3Fh).

The wiper resistance in potentiometer-generated voltage divider applications is not a significant source of error.

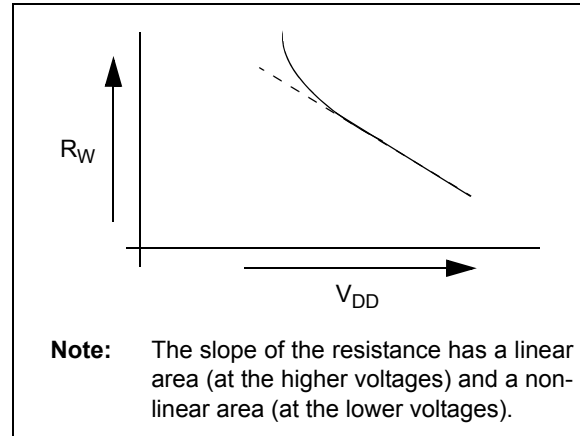
The wiper resistance in rheostat applications can create significant non-linearity as the wiper is moved toward zero-scale (00h). The lower the nominal resistance, the greater the possible error.

Wiper resistance is significant depending on the devices operating voltage. As the device voltage decreases, the wiper resistance increases (see [Figure 6-4](#) and [Table 6-2](#)).

In a rheostat configuration, this change in voltage needs to be taken into account, particularly for the lower resistance devices. For the 2.1 k $\Omega$  device, the maximum wiper resistance at 5.5V is approximately 6% of the total resistance, while at 2.7V, it is approximately 15.5% of the total resistance.

In a potentiometer configuration, the wiper resistance variation does not effect the output voltage seen on the terminal W pin.

The slope of the resistance has a linear area (at the higher voltages) and a non-linear area (at the lower voltages), where resistance increases faster than the voltage drop (at low voltages).



**FIGURE 6-4:** Relationship of Wiper Resistance ( $R_W$ ) to Voltage

Since there is minimal variation of the total device resistance over voltage, at a constant temperature (see [Figure 2-6](#), [Figure 2-17](#), [Figure 2-27](#) or [Figure 2-37](#)), the change in wiper resistance over voltage can have a significant impact on the INL and DNL error.

**TABLE 6-2: TYPICAL STEP RESISTANCES AND RELATIONSHIP TO WIPER RESISTANCE**

| Resistance ( $\Omega$ ) |                   |                 |               |               | $R_W / R_S$ (%) <sup>(1)</sup> |                       |                       | $R_W / R_{AB}$ (%) <sup>(2)</sup> |                       |                       |
|-------------------------|-------------------|-----------------|---------------|---------------|--------------------------------|-----------------------|-----------------------|-----------------------------------|-----------------------|-----------------------|
| Typical                 |                   | Wiper ( $R_W$ ) |               |               | $R_W =$<br>Typical             | $R_W =$ Max<br>@ 5.5V | $R_W =$ Max<br>@ 2.7V | $R_W =$<br>Typical                | $R_W =$ Max<br>@ 5.5V | $R_W =$ Max<br>@ 2.7V |
| Total<br>( $R_{AB}$ )   | Step<br>( $R_S$ ) | Typical         | Max @<br>5.5V | Max @<br>2.7V |                                |                       |                       |                                   |                       |                       |
| 2100                    | 33.33             | 75              | 125           | 325           | 225.0%                         | 375.0%                | 975.0%                | 3.57%                             | 5.95%                 | 15.48%                |
| 5000                    | 79.37             | 75              | 125           | 325           | 94.5%                          | 157.5%                | 409.5%                | 1.5%                              | 2.50%                 | 6.50%                 |
| 10000                   | 158.73            | 75              | 125           | 325           | 47.25%                         | 78.75%                | 204.75%               | 0.75%                             | 1.25%                 | 3.25%                 |
| 50000                   | 793.65            | 75              | 125           | 325           | 9.45%                          | 15.75%                | 40.95%                | 0.15%                             | 0.25%                 | 0.65%                 |

**Note 1:**  $R_S$  is the typical value. The variation of this resistance is minimal over voltage.

**2:**  $R_{AB}$  is the typical value. The variation of this resistance is minimal over voltage.

## 6.3 Operational Characteristics

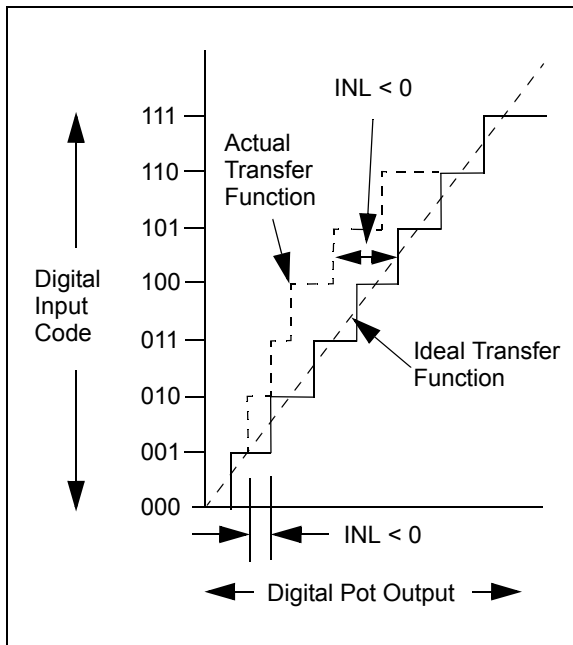
Understanding the operational characteristics of the device's resistor components is important to the system design.

### 6.3.1 ACCURACY

#### 6.3.1.1 Integral Non-Linearity (INL)

INL error for these devices is the maximum deviation between an actual code transition point and its corresponding ideal transition point after offset and gain errors have been removed. These endpoints are from 0x00 to 0x3F. Refer to [Figure 6-5](#).

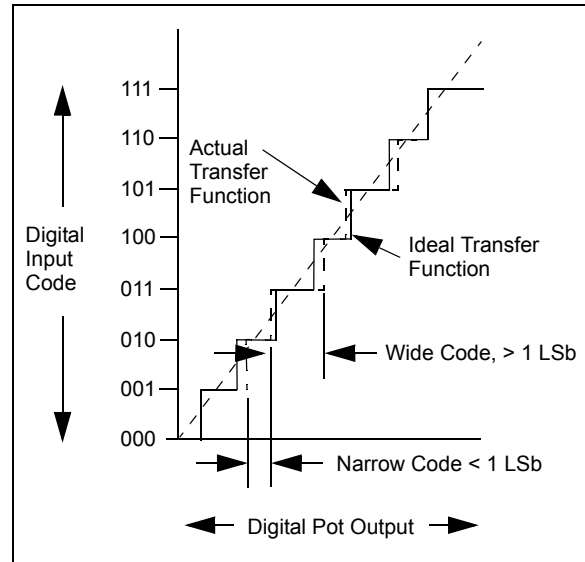
Positive INL means higher resistance than ideal. Negative INL means lower resistance than ideal.



**FIGURE 6-5:** INL Accuracy.

#### 6.3.1.2 Differential Non-Linearity (DNL)

DNL error is the measure of variations in code widths from the ideal code width. A DNL error of zero would imply that every code is exactly 1 LSB wide.



**FIGURE 6-6:** DNL Accuracy.

#### 6.3.1.3 Ratiometric Temperature Coefficient

The ratiometric temperature coefficient quantifies the error in the ratio  $R_{AW}/R_{WB}$  due to temperature drift. This is typically the critical error when using a potentiometer device (MCP4021 and MCP4023) in a voltage divider configuration.

#### 6.3.1.4 Absolute Temperature Coefficient

The absolute temperature coefficient quantifies the error in the end-to-end resistance (nominal resistance  $R_{AB}$ ) due to temperature drift. This is typically the critical error when using a rheostat device (MCP4022 and MCP4024) in an adjustable resistor configuration.

# MCP4021/2/3/4

## 6.3.2 MONOTONIC OPERATION

Monotonic operation means that the device's resistance increases with every step change (from terminal A to terminal B or terminal B to terminal A).

The wiper resistance is different at each tap location. When changing from one tap position to the next (either increasing or decreasing), the  $\Delta R_W$  is less than the  $\Delta R_S$ . When this change occurs, the device voltage and temperature are "the same" for the two tap positions.

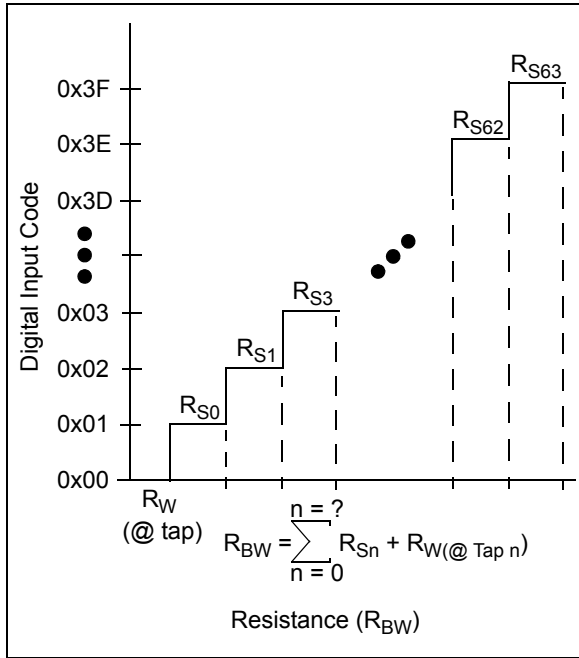


FIGURE 6-7: Resistance,  $R_{BW}$ .

## 7.0 DESIGN CONSIDERATIONS

In the design of a system with the MCP402X devices, the following considerations should be taken into account:

- The Power Supply
- The Layout

### 7.1 Power Supply Considerations

The typical application will require a bypass capacitor in order to filter high-frequency noise, which can be induced onto the power supply's traces. The bypass capacitor helps to minimize the effect of these noise sources on signal integrity. Figure 7-1 illustrates an appropriate bypass strategy.

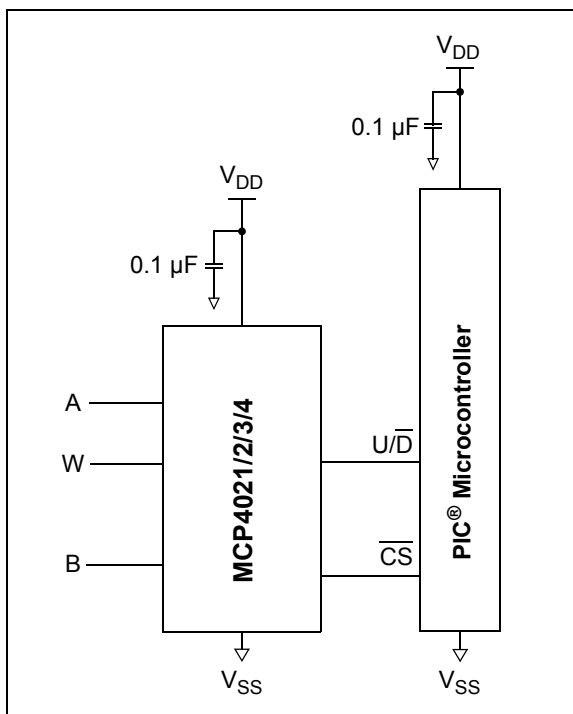
In this example, the recommended bypass capacitor value is 0.1  $\mu\text{F}$ . This capacitor should be placed as close (within 4 mm) to the device power pin ( $V_{\text{DD}}$ ) as possible.

The power source supplying these devices should be as clean as possible. If the application circuit has separate digital and analog power supplies,  $V_{\text{DD}}$  and  $V_{\text{SS}}$  should reside on the analog plane.

### 7.2 Layout Considerations

Inductively-coupled AC transients and digital switching noise can degrade the input and output signal integrity, potentially masking the MCP402X's performance. Careful board layout will minimize these effects and increase the Signal-to-Noise Ratio (SNR). Bench testing has shown that a multi-layer board utilizing a low-inductance ground plane, isolated inputs, isolated outputs and proper decoupling are critical to achieving the performance that the silicon is capable of providing. Particularly harsh environments may require shielding of critical signals.

If low noise is desired, breadboards and wire-wrapped boards are not recommended.



**FIGURE 7-1:** Typical Microcontroller Connections.

# MCP4021/2/3/4

## 8.0 APPLICATIONS EXAMPLES

Non-volatile digital potentiometers have a multitude of practical uses in modern electronic circuits. The most popular uses include precision calibration of set point thresholds, sensor trimming, LCD bias trimming, audio attenuation, adjustable power supplies, motor control overcurrent trip setting, adjustable gain amplifiers and offset trimming. The MCP4021/2/3/4 devices can be used to replace the common mechanical trim pot in applications where the operating and terminal voltages are within CMOS process limitations ( $V_{DD} = 2.7V$  to  $5.5V$ ).

### 8.1 Set Point Threshold Trimming

Applications that need accurate detection of an input threshold event often need several sources of error eliminated. Use of comparators and operational amplifiers (op amps) with low offset and gain error can help achieve the desired accuracy, but in many applications, the input source variation is beyond the designer's control. If the entire system can be calibrated after assembly in a controlled environment (like factory test), these sources of error are minimized, if not entirely eliminated.

Figure 8-1 illustrates a common digital potentiometer configuration. This configuration is often referred to as a "windowed voltage divider". Note that  $R_1$  and  $R_2$  are not necessary to create the voltage divider, but their presence is useful when the desired threshold has limited range. It is "windowed" because  $R_1$  and  $R_2$  can narrow the adjustable range of  $V_{TRIP}$  to a value much less than  $V_{DD} - V_{SS}$ . If the output range is reduced, the magnitude of each output step is reduced. This effectively increases the trimming resolution for a fixed digital potentiometer resolution. This technique may allow a lower-cost digital potentiometer to be utilized (64 steps instead of 256 steps).

The MCP4021's and MCP4023's low DNL performance is critical to meeting calibration accuracy in production without having to use a higher precision digital potentiometer.

#### EQUATION 8-1: CALCULATING THE WIPER SETTING FROM THE DESIRED $V_{TRIP}$

$$V_{TRIP} = V_{DD} \left( \frac{R_2 + R_{WB}}{R_1 + R_{AB} + R_2} \right)$$

$$R_{AB} = R_{Nominal}$$

$$R_{WB} = R_{AB} \cdot \left( \frac{D}{63} \right)$$

$$D = \left( \left( \frac{V_{TRIP}}{V_{DD}} \right) \cdot ((R_1 + R_{AB} + R_2) - R_2) \right) \cdot 63$$

Where:  
D = Digital Potentiometer Wiper Setting (0-63)

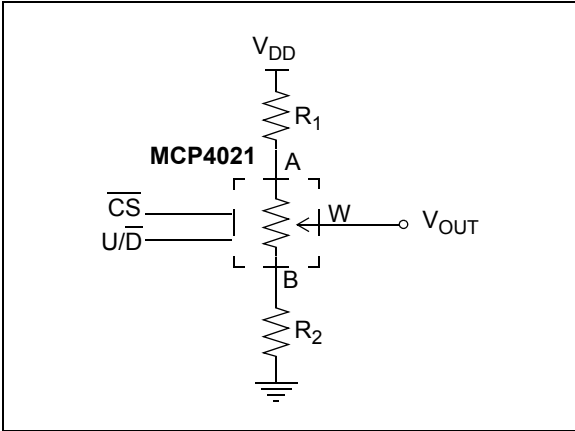


FIGURE 8-1: Using the Digital Potentiometer to Set a Precise Output Voltage.

#### 8.1.1 TRIMMING A THRESHOLD FOR AN OPTICAL SENSOR

If the application has to calibrate the threshold of a diode, transistor or resistor, a variation range of 0.1V is common. Often, the desired resolution of 2 mV or better is adequate to accurately detect the presence of a precise signal. A "windowed" voltage divider, utilizing the MCP4021 or MCP4023, would be a potential solution as shown in Figure 8-2.

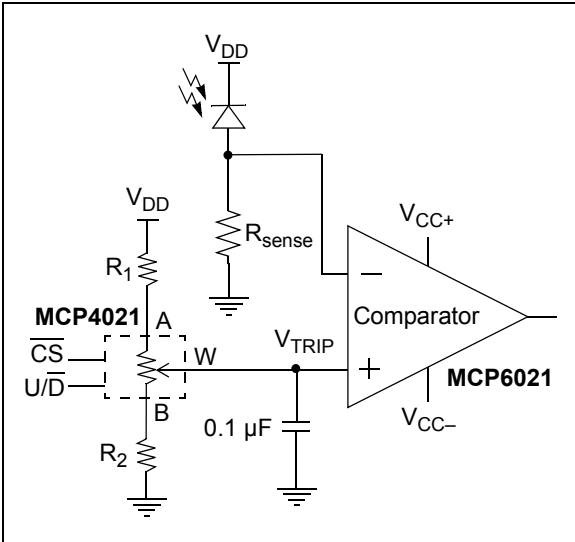
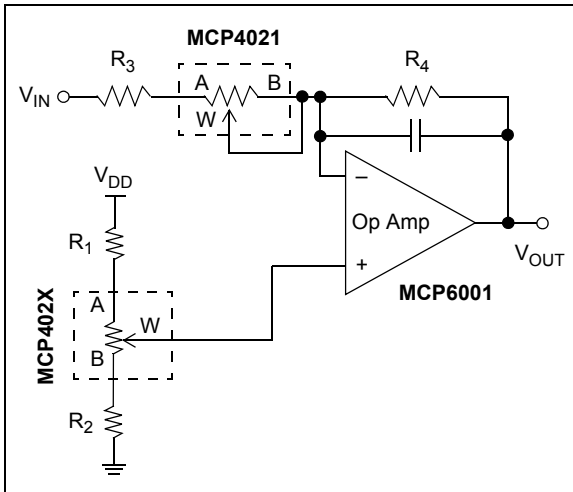


FIGURE 8-2: Set Point or Threshold Calibration.

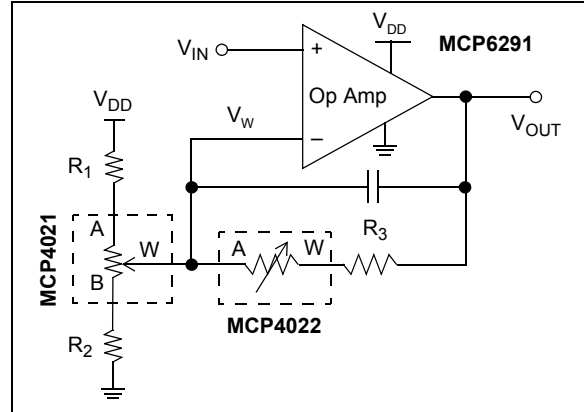
## 8.2 Operational Amplifier Applications

Figure 8-3, Figure 8-4 and Figure 8-5 illustrate typical amplifier circuits that could replace fixed resistors with the MCP4021/2/3/4 to achieve digitally-adjustable analog solutions.

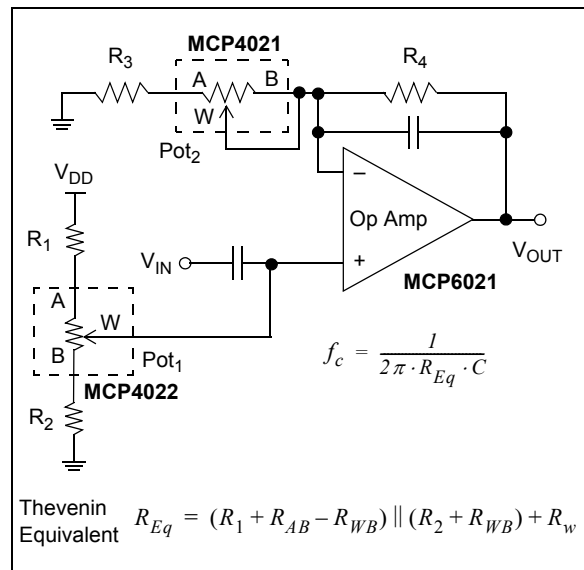
Figure 8-4 shows a circuit that allows a non-inverting amplifier to have its offset and gain to be independently trimmed. The MCP4021 is used along with resistors R1 and R2 to set the offset voltage. The sum of R1 + R2 resistance should be significantly greater (> 100 times) the resistance value of the MCP4021. This allows each increment or decrement in the MCP4021 to be a fine adjustment of the offset voltage. The input voltage of the op amp ( $V_{IN}$ ) should be centered at the op amp's  $V_W$  voltage. The gain is adjusted by the MCP4022. If the resistance value of the MCP4022 is small compared to the resistance value of R3, then this is a fine adjustment of the gain. If the resistance value of the MCP4022 is equal (or large) compared to the resistance value of R3, then this is a course adjustment of the gain. In general, trim the course adjustments first and then trim the fine adjustments.



**FIGURE 8-3:** Trimming Offset and Gain in an Inverting Amplifier.



**FIGURE 8-4:** Trimming Offset and Gain in a Non-Inverting Amplifier.



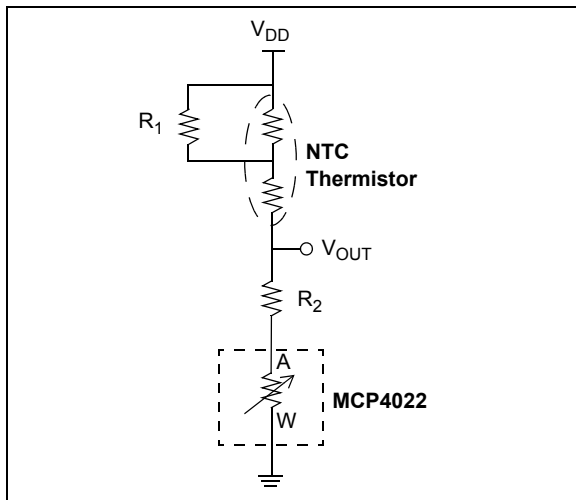
**FIGURE 8-5:** Programmable Filter.



## 8.3 Temperature Sensor Applications

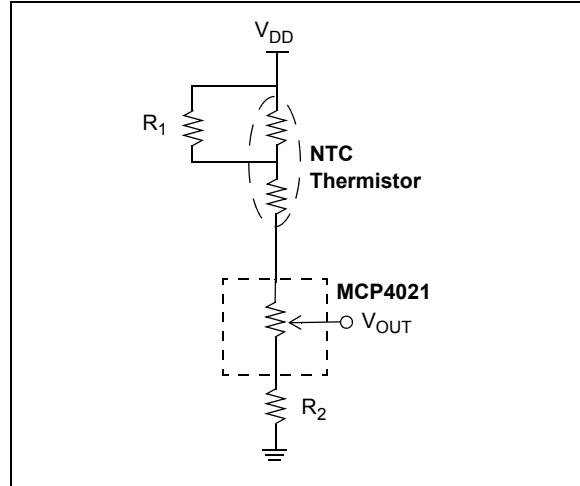
Thermistors are resistors with very predictable variation with temperature. Thermistors are a popular sensor choice when a low-cost, temperature-sensing solution is desired. Unfortunately, thermistors have non-linear characteristics that are undesirable, typically requiring trimming in an application to achieve greater accuracy. There are several common solutions to trim and linearize thermistors. [Figure 8-6](#) and [Figure 8-7](#) are simple methods for linearizing a 3-terminal NTC thermistor. Both are simple voltage dividers using a Positive Temperature Coefficient (PTC) resistor ( $R_1$ ) with a transfer function capable of compensating for the linearity error in the Negative Temperature Coefficient (NTC) thermistor.

The circuit, illustrated by [Figure 8-6](#), utilizes a digital rheostat for trimming the offset error caused by the thermistor's part-to-part variation. This solution puts the digital potentiometer's  $R_W$  into the voltage divider calculation. The MCP4021/2/3/4's  $R_{AB}$  temperature coefficient is 50 ppm ( $-20^{\circ}\text{C}$  to  $+70^{\circ}\text{C}$ ).  $R_W$ 's error is substantially greater than  $R_{AB}$ 's error because  $R_W$  varies with  $V_{DD}$ , wiper setting and temperature. For the 50 k $\Omega$  devices, the error introduced by  $R_W$  is, in most cases, insignificant as long as the wiper setting is  $> 6$ . For the 2 k $\Omega$  devices, the error introduced by  $R_W$  is significant because it is a higher percentage of  $R_{WB}$ . For these reasons, the circuit illustrated in [Figure 8-6](#) is not the most optimum method for "exciting" and linearizing a thermistor.



**FIGURE 8-6:** Thermistor Calibration using a Digital Potentiometer in a Rheostat Configuration.

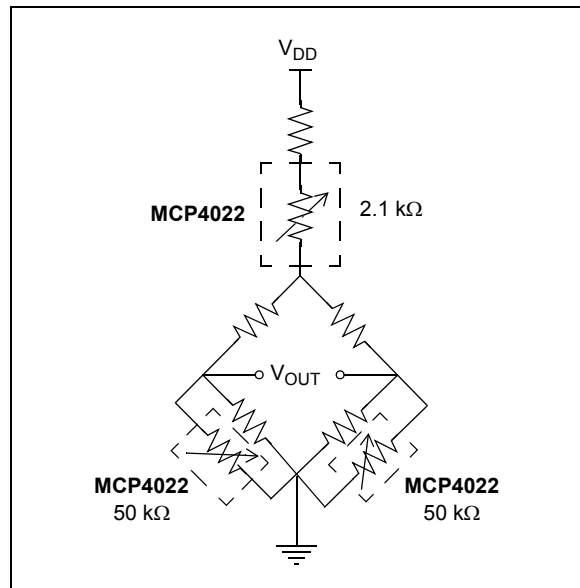
The circuit illustrated by [Figure 8-7](#) utilizes a digital potentiometer for trimming the offset error. This solution removes  $R_W$  from the trimming equation along with the error associated with  $R_W$ .  $R_2$  is not required, but can be utilized to reduce the trimming "window" and reduce variation due to the digital potentiometer's  $R_{AB}$  part-to-part variability.



**FIGURE 8-7:** Thermistor Calibration using a Digital Potentiometer in a Potentiometer Configuration.

## 8.4 Wheatstone Bridge Trimming

Another common configuration to "excite" a sensor (such as a strain gauge, pressure sensor or thermistor) is the wheatstone bridge configuration. The wheatstone bridge provides a differential output instead of a single-ended output. [Figure 8-8](#) illustrates a wheatstone bridge utilizing one to three digital potentiometers. The digital potentiometers in this example are used to trim the offset and gain of the wheatstone bridge.



**FIGURE 8-8:** Wheatstone Bridge Trimming.

## 9.0 DEVELOPMENT SUPPORT

### 9.1 Evaluation/Demonstration Boards

Currently there are three boards that are available that can be used to evaluate the MCP4021/2/3/4 family of devices.

1. The MCP402X Digital Potentiometer Evaluation Board kit (MCP402XEV) contains a simple demonstration board utilizing a PIC10F206, the MCP4021 and a blank PCB, which can be populated with any desired MCP4021/2/3/4 device in a SOT-23-5, SOT-23-6 or 150 mil SOIC 8-pin package.

This board has two push buttons to control when the PIC<sup>®</sup> microcontroller generates MCP402X serial commands. The example firmware demonstrates the following commands:

- Increment
- Decrement
- High-Voltage Increment and Enable WiperLock Technology
- High-Voltage Decrement and Enable WiperLock Technology
- High-Voltage Increment and Disable WiperLock Technology
- High-Voltage Decrement and Disable WiperLock Technology

The populated board (with the MCP4021) can be used to evaluate the other MCP402X devices by appropriately jumpering the PCB pads.

2. The SOT-23-5/6 Evaluation Board (VSUPEV2) can be used to evaluate the characteristics of the MCP4022, MCP4023 and MCP4024 devices.
3. The 8-pin SOIC/MSOP/TSSOP/DIP Evaluation Board (SOIC8EV) can be used to evaluate the characteristics of the MCP4021 device in either the SOIC or MSOP package.
4. The MCP4XXX Digital Potentiometer Daughter Board allows the system designer to quickly evaluate the operation of Microchip Technology's MCP42XXX and MCP402X Digital Potentiometers. The board supports two MCP42XXX devices and an MCP402X device, which can be replaced with an MCP401X device.

The board also has a voltage doubler device (TC1240A), which can be used to show the WiperLock™ Technology feature of the MCP4021.

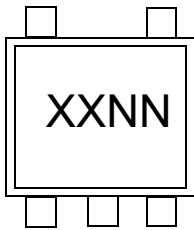
These boards may be purchased directly from the Microchip web site at [www.microchip.com](http://www.microchip.com).

# MCP4021/2/3/4

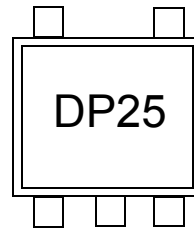
## 10.0 PACKAGING INFORMATION

### 10.1 Package Marking Information

5-Lead SOT-23 (MCP4024)



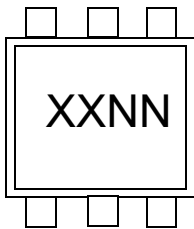
Example:



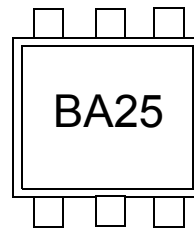
| Part Number      | Code |
|------------------|------|
| MCP4024T-202E/OT | DPNN |
| MCP4024T-502E/OT | DQNN |
| MCP4024T-103E/OT | DRNN |
| MCP4024T-503E/OT | DSNN |

**Note:** Applies to 5-Lead SOT-23

6-Lead SOT-23 (MCP4022 / MCP4023)



Example:



| Part Number               | Code            |                 |
|---------------------------|-----------------|-----------------|
|                           | MCP402 <u>2</u> | MCP402 <u>3</u> |
| MCP402 <u>x</u> T-202E/CH | BANN            | BENN            |
| MCP402 <u>x</u> T-502E/CH | BBNN            | BFNN            |
| MCP402 <u>x</u> T-103E/CH | BCNN            | BGNN            |
| MCP402 <u>x</u> T-503E/CH | BDNN            | BHNN            |

**Note:** Applies to 6-Lead SOT-23

|                |        |  |
|----------------|--------|--|
| <b>Legend:</b> | XX...X | Customer-specific information  |
|                | Y      | Year code (last digit of calendar year)  |
|                | YY     | Year code (last 2 digits of calendar year)   |
|                | WW     | Week code (week of January 1 is week '01')   |
|                | NNN    | Alphanumeric traceability code   |
|                | (e3)   | Pb-free JEDEC designator for Matte Tin (Sn)  |
|                | *      | This package is Pb-free. The Pb-free JEDEC designator (e3) can be found on the outer packaging for this package. |

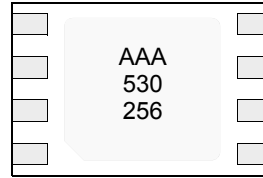
**Note:** In the event the full Microchip part number cannot be marked on one line, it will be carried over to the next line, thus limiting the number of available characters for customer-specific information.

## Package Marking Information

### 8-Lead DFN (2x3) (MCP4021)



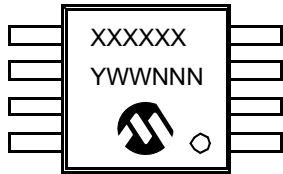
### Example:



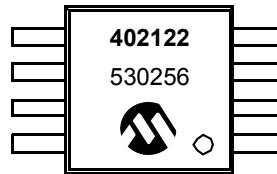
| Part Number      | Code |
|------------------|------|
| MCP4021T-202E/MC | AAA  |
| MCP4021T-502E/MC | AAB  |
| MCP4021T-103E/MC | AAC  |
| MCP4021T-503E/MC | AAD  |

**Note:** Applies to 8-Lead DFN

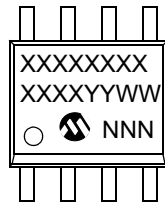
### 8-Lead MSOP (MCP4021)



### Example:



### 8-Lead SOIC (150 mil) (MCP4021)



### Example:



| Part Numbers    |                 | Code |
|-----------------|-----------------|------|
| 8L-MSOP         | 8L-SOIC         |      |
| MCP4021-202E/MS | MCP4021-202E/SN | 22   |
| MCP4021-502E/MS | MCP4021-502E/SN | 52   |
| MCP4021-103E/MS | MCP4021-103E/SN | 13   |
| MCP4021-503E/MS | MCP4021-503E/SN | 53   |

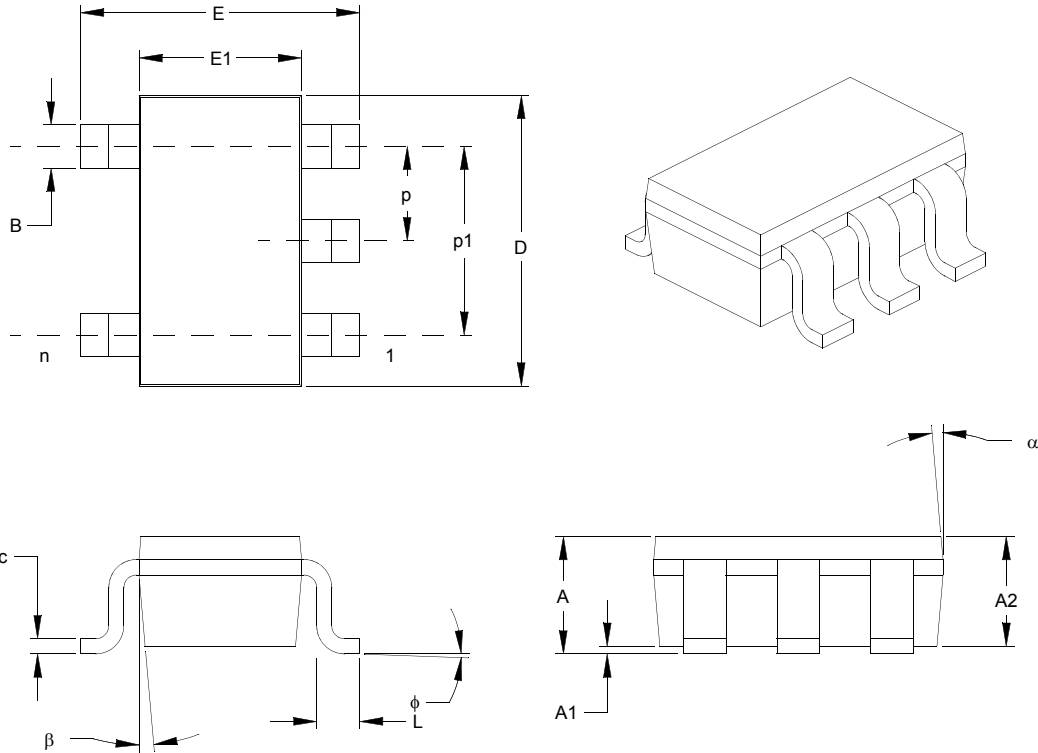
|                |        |  |
|----------------|--------|--|
| <b>Legend:</b> | XX...X | Customer-specific information  |
|                | Y      | Year code (last digit of calendar year)  |
|                | YY     | Year code (last 2 digits of calendar year)   |
|                | WW     | Week code (week of January 1 is week '01')   |
|                | NNN    | Alphanumeric traceability code   |
|                | (e3)   | Pb-free JEDEC designator for Matte Tin (Sn)  |
|                | *      | This package is Pb-free. The Pb-free JEDEC designator (e3) can be found on the outer packaging for this package. |

**Note:** In the event the full Microchip part number cannot be marked on one line, it will be carried over to the next line, thus limiting the number of available characters for customer-specific information.

# MCP4021/2/3/4

## 5-Lead Plastic Small Outline Transistor (OT) (SOT-23)

**Note:** For the most current package drawings, please see the Microchip Packaging Specification located at <http://www.microchip.com/packaging>



| Dimension Limits           | Units | INCHES* |      |      | MILLIMETERS |      |      |
|----------------------------|-------|---------|------|------|-------------|------|------|
|                            |       | MIN     | NOM  | MAX  | MIN         | NOM  | MAX  |
| Number of Pins             | n     |         | 5    |      |             | 5    |      |
| Pitch                      | p     |         | .038 |      |             | 0.95 |      |
| Outside lead pitch (basic) | p1    |         | .075 |      |             | 1.90 |      |
| Overall Height             | A     | .035    | .046 | .057 | 0.90        | 1.18 | 1.45 |
| Molded Package Thickness   | A2    | .035    | .043 | .051 | 0.90        | 1.10 | 1.30 |
| Standoff                   | A1    | .000    | .003 | .006 | 0.00        | 0.08 | 0.15 |
| Overall Width              | E     | .102    | .110 | .118 | 2.60        | 2.80 | 3.00 |
| Molded Package Width       | E1    | .059    | .064 | .069 | 1.50        | 1.63 | 1.75 |
| Overall Length             | D     | .110    | .116 | .122 | 2.80        | 2.95 | 3.10 |
| Foot Length                | L     | .014    | .018 | .022 | 0.35        | 0.45 | 0.55 |
| Foot Angle                 | f     | 0       | 5    | 10   | 0           | 5    | 10   |
| Lead Thickness             | c     | .004    | .006 | .008 | 0.09        | 0.15 | 0.20 |
| Lead Width                 | B     | .014    | .017 | .020 | 0.35        | 0.43 | 0.50 |
| Mold Draft Angle Top       | a     | 0       | 5    | 10   | 0           | 5    | 10   |
| Mold Draft Angle Bottom    | b     | 0       | 5    | 10   | 0           | 5    | 10   |

\* Controlling Parameter

**Notes:**

Dimensions D and E1 do not include mold flash or protrusions. Mold flash or protrusions shall not exceed .005" (0.127mm) per side.

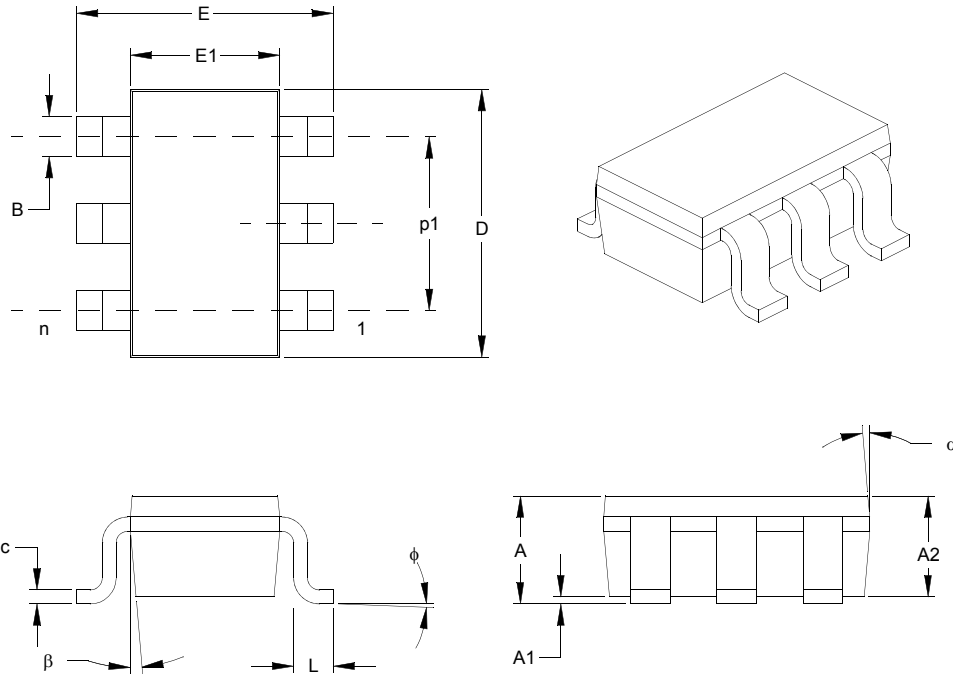
EIAJ Equivalent: SC-74A

Drawing No. C04-091

Revised 09-12-05

## 6-Lead Plastic Small Outline Transistor (CH) (SOT-23)

**Note:** For the most current package drawings, please see the Microchip Packaging Specification located at <http://www.microchip.com/packaging>



| Units                    |    | INCHES*  |      |      | MILLIMETERS |      |      |
|--------------------------|----|----------|------|------|-------------|------|------|
| Dimension Limits         |    | MIN      | NOM  | MAX  | MIN         | NOM  | MAX  |
| Number of Pins           | n  | 6        |      |      | 6           |      |      |
| Pitch                    | p  | .038 BSC |      |      | 0.95 BSC    |      |      |
| Outside lead pitch       | p1 | .075 BSC |      |      | 1.90 BSC    |      |      |
| Overall Height           | A  | .035     | .046 | .057 | 0.90        | 1.18 | 1.45 |
| Molded Package Thickness | A2 | .035     | .043 | .051 | 0.90        | 1.10 | 1.30 |
| Standoff                 | A1 | .000     | .003 | .006 | 0.00        | 0.08 | 0.15 |
| Overall Width            | E  | .102     | .110 | .118 | 2.60        | 2.80 | 3.00 |
| Molded Package Width     | E1 | .059     | .064 | .069 | 1.50        | 1.63 | 1.75 |
| Overall Length           | D  | .110     | .116 | .122 | 2.80        | 2.95 | 3.10 |
| Foot Length              | L  | .014     | .018 | .022 | 0.35        | 0.45 | 0.55 |
| Foot Angle               | φ  | 0        | 5    | 10   | 0           | 5    | 10   |
| Lead Thickness           | c  | .004     | .006 | .008 | 0.09        | 0.15 | 0.20 |
| Lead Width               | B  | .014     | .017 | .020 | 0.35        | 0.43 | 0.50 |
| Mold Draft Angle Top     | α  | 0        | 5    | 10   | 0           | 5    | 10   |
| Mold Draft Angle Bottom  | β  | 0        | 5    | 10   | 0           | 5    | 10   |

\* Controlling Parameter

**Notes:**

Dimensions D and E1 do not include mold flash or protrusions. Mold flash or protrusions shall not exceed .005" (0.127mm) per side.

BSC: Basic Dimension. Theoretically exact value shown without tolerances.

See ASME Y14.5M

JEITA (formerly EIAJ) equivalent: SC-74A

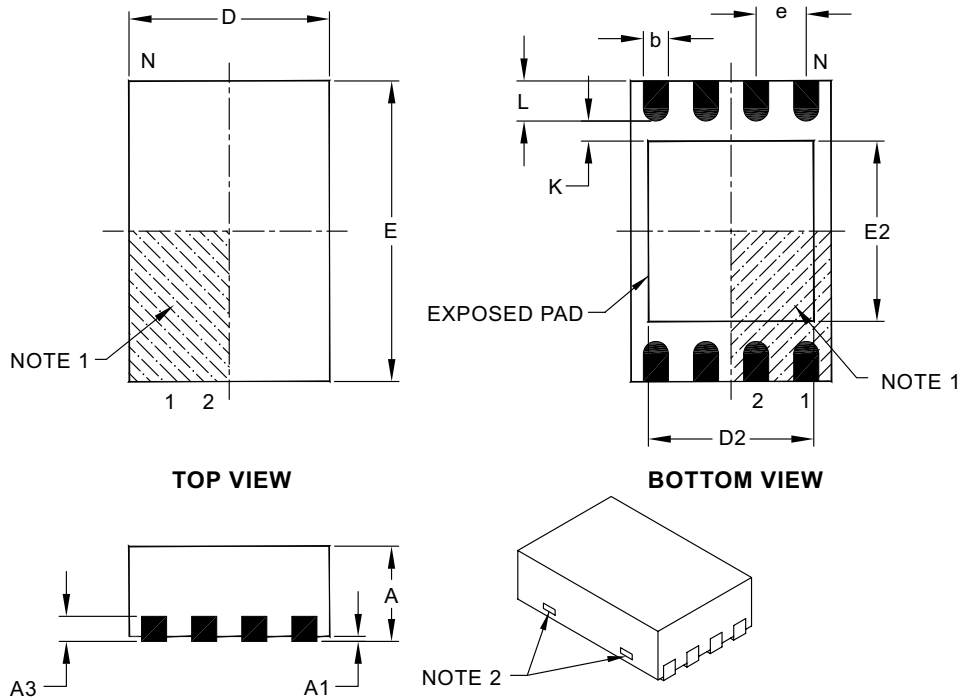
Drawing No. C04-120

Revised 09-12-05

# MCP4021/2/3/4

## 8-Lead Plastic Dual-Flat No-Lead Package (MC) 2x3x0.9 mm Body (DFN) – Saw Singulated

**Note:** For the most current package drawings, please see the Microchip Packaging Specification located at <http://www.microchip.com/packaging>



| Dimension Limits         | Units | MILLIMETERS |      |      |
|--------------------------|-------|-------------|------|------|
|                          |       | MIN         | NOM  | MAX  |
| Number of Pins           | N     | 8           |      |      |
| Pitch                    | e     | 0.50 BSC    |      |      |
| Overall Height           | A     | 0.80        | 0.90 | 1.00 |
| Standoff                 | A1    | 0.00        | 0.02 | 0.05 |
| Contact Thickness        | A3    | 0.20 REF    |      |      |
| Overall Length           | D     | 2.00 BSC    |      |      |
| Overall Width            | E     | 3.00 BSC    |      |      |
| Exposed Pad Length       | D2    | 1.30        | —    | 1.75 |
| Exposed Pad Width        | E2    | 1.50        | —    | 1.90 |
| Contact Width            | b     | 0.18        | 0.25 | 0.30 |
| Contact Length §         | L     | 0.30        | 0.40 | 0.50 |
| Contact-to-Exposed Pad § | K     | 0.20        | —    | —    |

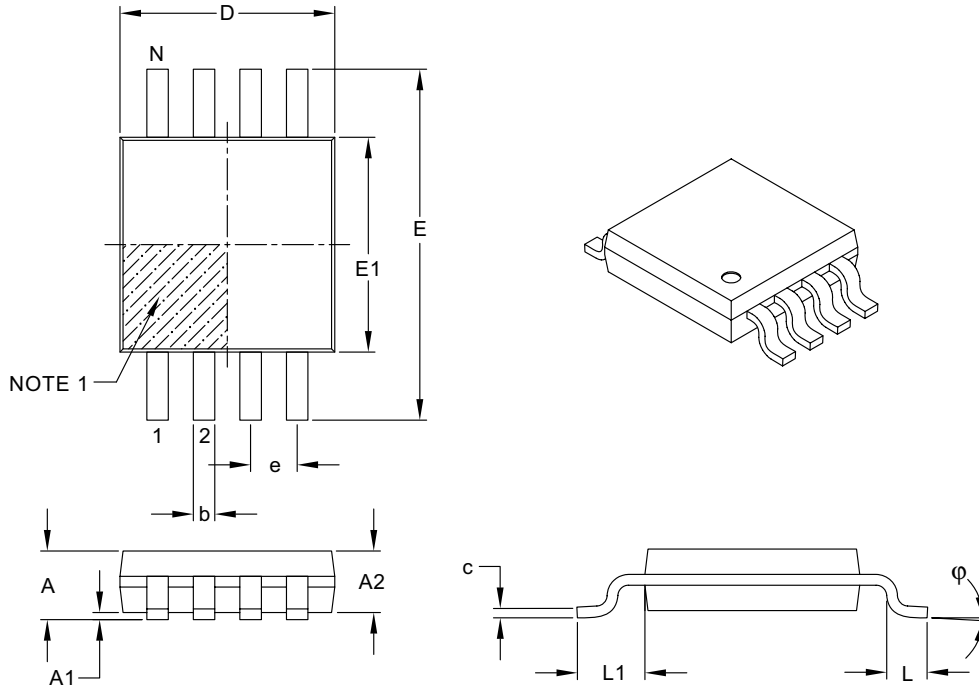
**Notes:**

- Pin 1 visual index feature may vary, but must be located within the hatched area.
- Package may have one or more exposed tie bars at ends.
- § Significant Characteristic
- Package is saw singulated
- Dimensioning and tolerancing per ASME Y14.5M  
BSC: Basic Dimension. Theoretically exact value shown without tolerances.  
REF: Reference Dimension, usually without tolerance, for information purposes only.

Microchip Technology Drawing No. C04-123, Sept. 8, 2006

## 8-Lead Plastic Micro Small Outline Package (MS) (MSOP)

**Note:** For the most current package drawings, please see the Microchip Packaging Specification located at <http://www.microchip.com/packaging>



| Dimension                | Units | MILLIMETERS |      |      |
|--------------------------|-------|-------------|------|------|
|                          |       | MIN         | NOM  | MAX  |
| Number of Pins           | N     | 8           |      |      |
| Pitch                    | e     | 0.65 BSC    |      |      |
| Overall Height           | A     | —           | —    | 1.10 |
| Molded Package Thickness | A2    | 0.75        | 0.85 | 0.95 |
| Standoff                 | A1    | 0.00        | —    | 0.15 |
| Overall Width            | E     | 4.90 BSC    |      |      |
| Molded Package Width     | E1    | 3.00 BSC    |      |      |
| Overall Length           | D     | 3.00 BSC    |      |      |
| Foot Length              | L     | 0.40        | 0.60 | 0.80 |
| Footprint                | L1    | 0.95 REF    |      |      |
| Foot Angle               | φ     | 0°          | —    | 8°   |
| Lead Thickness           | c     | 0.08        | —    | 0.23 |
| Lead Width               | b     | 0.22        | —    | 0.40 |

**Notes:**

- Pin 1 visual index feature may vary, but must be located within the hatched area.
- Dimensions D and E1 do not include mold flash or protrusions. Mold flash or protrusions shall not exceed 0.15 mm per side.
- Dimensioning and tolerancing per ASME Y14.5M  
 BSC: Basic Dimension. Theoretically exact value shown without tolerances.  
 REF: Reference Dimension, usually without tolerance, for information purposes only.

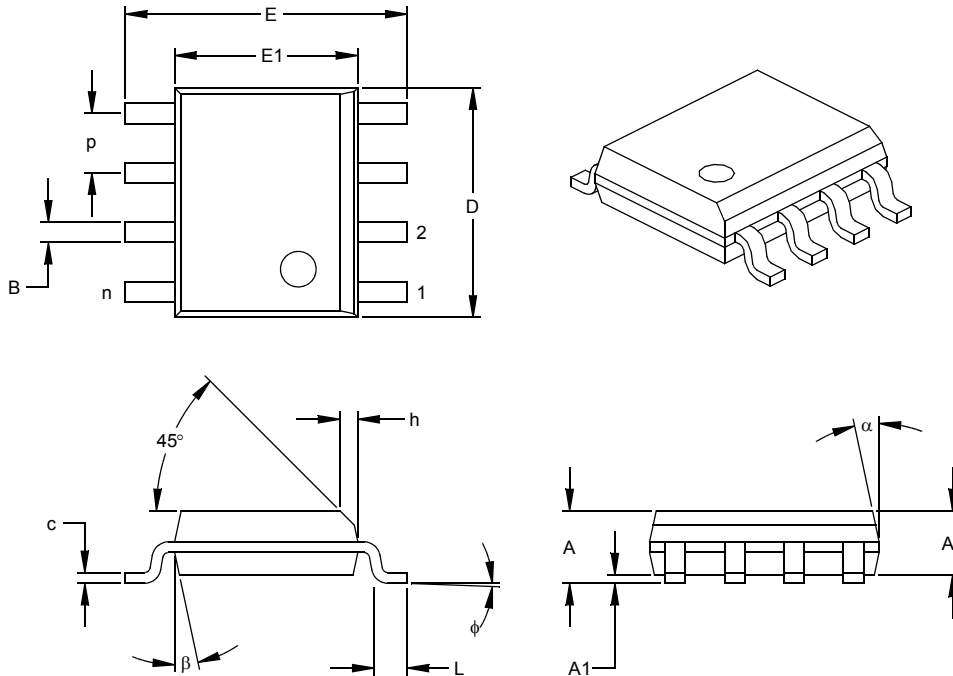
Microchip Technology Drawing No. C04-111, Sept. 8, 2006



# MCP4021/2/3/4

## 8-Lead Plastic Small Outline (SN) – Narrow, 150 mil (SOIC)

**Note:** For the most current package drawings, please see the Microchip Packaging Specification located at <http://www.microchip.com/packaging>



| Dimension Limits         | Units | INCHES* |      |      | MILLIMETERS |      |      |
|--------------------------|-------|---------|------|------|-------------|------|------|
|                          |       | MIN     | NOM  | MAX  | MIN         | NOM  | MAX  |
| Number of Pins           | n     | 8       |      |      | 8           |      |      |
| Pitch                    | p     |         | .050 |      |             | 1.27 |      |
| Overall Height           | A     | .053    | .061 | .069 | 1.35        | 1.55 | 1.75 |
| Molded Package Thickness | A2    | .052    | .056 | .061 | 1.32        | 1.42 | 1.55 |
| Standoff §               | A1    | .004    | .007 | .010 | 0.10        | 0.18 | 0.25 |
| Overall Width            | E     | .228    | .237 | .244 | 5.79        | 6.02 | 6.20 |
| Molded Package Width     | E1    | .146    | .154 | .157 | 3.71        | 3.91 | 3.99 |
| Overall Length           | D     | .189    | .193 | .197 | 4.80        | 4.90 | 5.00 |
| Chamfer Distance         | h     | .010    | .015 | .020 | 0.25        | 0.38 | 0.51 |
| Foot Length              | L     | .019    | .025 | .030 | 0.48        | 0.62 | 0.76 |
| Foot Angle               | φ     | 0       | 4    | 8    | 0           | 4    | 8    |
| Lead Thickness           | c     | .008    | .009 | .010 | 0.20        | 0.23 | 0.25 |
| Lead Width               | B     | .013    | .017 | .020 | 0.33        | 0.42 | 0.51 |
| Mold Draft Angle Top     | α     | 0       | 12   | 15   | 0           | 12   | 15   |
| Mold Draft Angle Bottom  | β     | 0       | 12   | 15   | 0           | 12   | 15   |

\* Controlling Parameter

§ Significant Characteristic

**Notes:**

Dimensions D and E1 do not include mold flash or protrusions. Mold flash or protrusions shall not exceed .010" (0.254mm) per side.

JEDEC Equivalent: MS-012

Drawing No. C04-057

## APPENDIX A: REVISION HISTORY

### Revision E (December 2006)

- Added device designators in conditions column to associate units (MHz) in Bandwidth -3 dB parameter in **AC/DC Characteristics** table
- Added device designations in conditions column for R-INL and R-DNL specifications.
- Added disclaimers to package outline drawings.

### Revision D (October 2006)

- Changed the EEPROM write cycle time ( $T_{WC}$ ) from a maximum of 5 ms to a maximum of 10 ms (overvoltage and temperature) with a typical of 5 ms
- For the 10 k $\Omega$  device, the rheostat differential non-linearity specification at 2.7V was changed from  $\pm 0.5$  LSb to  $\pm 1.0$  LSb
- Figure 2-9 in **Section 2.0 “Typical Performance Curves”** was updated with the correct data.
- Added Figure 2-48 for -3 db Bandwidth information.
- Updated available Development Tools.
- Added disclaimer to package outline drawings.

### Revision C (November 2005)

- Enhanced Descriptions
- Reordered Sections
- Added 8-lead MSOP and DFN packages

### Revision B (April 2005)

- Updated part numbers in Product Identification Section (PIS)
- Added Appendix A: Revision History

### Revision A (April 2005)

- Original Release of this Document

# MCP4021/2/3/4

---

NOTES:

## PRODUCT IDENTIFICATION SYSTEM

To order or obtain information, e.g., on pricing or delivery, refer to the factory or the listed sales office.

| <u>PART NO.</u>     | <u>XXX</u>  | <u>X</u>  | <u>/XX</u> |  |
|---------------------|---|---|------------|--|
| Device              | Resistance Version                                  | Temperature Range   | Package    |  |
| Device:             | MCP4021:  | Single Potentiometer with U/D Interface                                   |            |  |
|                     | MCP4021T:   | Single Potentiometer with U/D Interface (Tape and Reel) (SOIC, MSOP)      |            |  |
|                     | MCP4022:  | Single Rheostat with U/D interface  |            |  |
|                     | MCP4022T:   | Single Rheostat with U/D interface (Tape and Reel) (SOT-23-6)             |            |  |
|                     | MCP4023:  | Single Potentiometer to GND with U/D Interface                            |            |  |
|                     | MCP4023T:   | Single Potentiometer to GND with U/D Interface (Tape and Reel) (SOT-23-6) |            |  |
|                     | MCP4024:  | Single Rheostat to GND with U/D Interface                                 |            |  |
|                     | MCP4024T:   | Single Rheostat to GND with U/D Interface (Tape and Reel)(SOT-23-5)       |            |  |
| Resistance Version: | 202 = 2.1 kΩ  |   |            |  |
|                     | 502 = 5 kΩ  |   |            |  |
|                     | 103 = 10 kΩ   |   |            |  |
|                     | 503 = 50 kΩ   |   |            |  |
| Temperature Range:  | E = -40°C to +125°C                                 |   |            |  |
| Package:            | CH = Plastic Small Outline Transistor, 6-lead       |   |            |  |
|                     | MC = Plastic Dual Flat No Lead (2x3x0.9 mm), 8-lead |   |            |  |
|                     | MS = Plastic MSOP, 8-lead                           |   |            |  |
|                     | SN = Plastic SOIC, (150 mil Body), 8-lead           |   |            |  |
|                     | OT = Plastic Small Outline Transistor, 5-lead       |   |            |  |
| <b>Examples:</b>    |   |   |            |  |
| a)                  | MCP4021-103E/MS:                                    | 10 kΩ, 8-LD MSOP  |            |  |
| b)                  | MCP4021-103E/SN:                                    | 10 kΩ, 8-LD SOIC  |            |  |
| c)                  | MCP4021T-103E/MC:                                   | T/R, 10 kΩ, 8-LD DFN  |            |  |
| d)                  | MCP4021T-103E/MS:                                   | T/R, 10 kΩ, 8-LD MSOP   |            |  |
| e)                  | MCP4021T-103E/SN:                                   | T/R, 10 kΩ, 8-LD SOIC   |            |  |
| f)                  | MCP4021-202E/MS:                                    | 2.1 kΩ, 8-LD MSOP   |            |  |
| g)                  | MCP4021-202E/SN:                                    | 2.1 kΩ, 8-LD SOIC   |            |  |
| h)                  | MCP4021T-202E/MC:                                   | T/R, 2.1 kΩ, 8-LD DFN   |            |  |
| i)                  | MCP4021T-202E/MS:                                   | T/R, 2.1 kΩ, 8-LD MSOP  |            |  |
| j)                  | MCP4021T-202E/SN:                                   | T/R, 2.1 kΩ, 8-LD SOIC  |            |  |
| k)                  | MCP4021-502E/MS:                                    | 5 kΩ, 8-LD MSOP   |            |  |
| l)                  | MCP4021-502E/SN:                                    | 5 kΩ, 8-LD SOIC   |            |  |
| m)                  | MCP4021T-502E/MC:                                   | T/R, 5 kΩ, 8-LD DFN   |            |  |
| n)                  | MCP4021T-502E/MS:                                   | T/R, 5 kΩ, 8-LD MSOP  |            |  |
| o)                  | MCP4021T-502E/SN:                                   | T/R, 5 kΩ, 8-LD SOIC  |            |  |
| p)                  | MCP4021-503E/MS:                                    | 50 kΩ, 8-LD MSOP  |            |  |
| q)                  | MCP4021-503E/SN:                                    | 50 kΩ, 8-LD SOIC  |            |  |
| r)                  | MCP4021T-503E/MC:                                   | T/R, 50 kΩ, 8-LD DFN  |            |  |
| s)                  | MCP4021T-503E/MS:                                   | T/R, 50 kΩ, 8-LD MSOP   |            |  |
| t)                  | MCP4021T-503E/SN:                                   | T/R, 50 kΩ, 8-LD SOIC   |            |  |
| a)                  | MCP4022T-202E/CH                                    | 2.1 kΩ, 6-LD SOT-23   |            |  |
| b)                  | MCP4022T-502E/CH                                    | 5 kΩ, 6-LD SOT-23   |            |  |
| c)                  | MCP4022T-103E/CH                                    | 10 kΩ, 6-LD SOT-23  |            |  |
| d)                  | MCP4022T-503E/CH                                    | 50 kΩ, 6-LD SOT-23  |            |  |
| a)                  | MCP4023T-202E/CH                                    | 2.1 kΩ, 6-LD SOT-23   |            |  |
| b)                  | MCP4023T-502E/CH                                    | 5 kΩ, 6-LD SOT-23   |            |  |
| c)                  | MCP4023T-103E/CH                                    | 10 kΩ, 6-LD SOT-23  |            |  |
| d)                  | MCP4023T-503E/CH                                    | 50 kΩ, 6-LD SOT-23  |            |  |
| a)                  | MCP4024T-202E/OT                                    | 2.1 kΩ, 5-LD SOT-23   |            |  |
| b)                  | MCP4024T-502E/OT                                    | 5 kΩ, 5-LD SOT-23   |            |  |
| c)                  | MCP4024T-103E/OT                                    | 10 kΩ, 5-LD SOT-23  |            |  |
| d)                  | MCP4024T-503E/OT                                    | 50 kΩ, 5-LD SOT-23  |            |  |

# MCP4021/2/3/4

---

NOTES:

---

**Note the following details of the code protection feature on Microchip devices:**

- Microchip products meet the specification contained in their particular Microchip Data Sheet.
- Microchip believes that its family of products is one of the most secure families of its kind on the market today, when used in the intended manner and under normal conditions.
- There are dishonest and possibly illegal methods used to breach the code protection feature. All of these methods, to our knowledge, require using the Microchip products in a manner outside the operating specifications contained in Microchip's Data Sheets. Most likely, the person doing so is engaged in theft of intellectual property.
- Microchip is willing to work with the customer who is concerned about the integrity of their code.
- Neither Microchip nor any other semiconductor manufacturer can guarantee the security of their code. Code protection does not mean that we are guaranteeing the product as "unbreakable."

Code protection is constantly evolving. We at Microchip are committed to continuously improving the code protection features of our products. Attempts to break Microchip's code protection feature may be a violation of the Digital Millennium Copyright Act. If such acts allow unauthorized access to your software or other copyrighted work, you may have a right to sue for relief under that Act.

---

Information contained in this publication regarding device applications and the like is provided only for your convenience and may be superseded by updates. It is your responsibility to ensure that your application meets with your specifications. MICROCHIP MAKES NO REPRESENTATIONS OR WARRANTIES OF ANY KIND WHETHER EXPRESS OR IMPLIED, WRITTEN OR ORAL, STATUTORY OR OTHERWISE, RELATED TO THE INFORMATION, INCLUDING BUT NOT LIMITED TO ITS CONDITION, QUALITY, PERFORMANCE, MERCHANTABILITY OR FITNESS FOR PURPOSE. Microchip disclaims all liability arising from this information and its use. Use of Microchip devices in life support and/or safety applications is entirely at the buyer's risk, and the buyer agrees to defend, indemnify and hold harmless Microchip from any and all damages, claims, suits, or expenses resulting from such use. No licenses are conveyed, implicitly or otherwise, under any Microchip intellectual property rights.

#### **Trademarks**

The Microchip name and logo, the Microchip logo, Accuron, dsPIC, KEELOQ, microID, MPLAB, PIC, PICmicro, PICSTART, PRO MATE, PowerSmart, rPIC, and SmartShunt are registered trademarks of Microchip Technology Incorporated in the U.S.A. and other countries.


AmpLab, FilterLab, Migratable Memory, MXDEV, MXLAB, SEEVAL, SmartSensor and The Embedded Control Solutions Company are registered trademarks of Microchip Technology Incorporated in the U.S.A.

Analog-for-the-Digital Age, Application Maestro, CodeGuard, dsPICDEM, dsPICDEM.net, dsPICworks, ECAN, ECONOMONITOR, FanSense, FlexROM, fuzzyLAB, In-Circuit Serial Programming, ICSP, ICEPIC, Linear Active Thermistor, Mindi, MiWi, MPASM, MPLIB, MPLINK, PICkit, PICDEM, PICDEM.net, PICLAB, PICtail, PowerCal, PowerInfo, PowerMate, PowerTool, REAL ICE, rFLAB, rfPICDEM, Select Mode, Smart Serial, SmartTel, Total Endurance, UNI/O, WiperLock and ZENA are trademarks of Microchip Technology Incorporated in the U.S.A. and other countries.

SQTP is a service mark of Microchip Technology Incorporated in the U.S.A.

All other trademarks mentioned herein are property of their respective companies.

© 2006, Microchip Technology Incorporated, Printed in the U.S.A., All Rights Reserved.

 Printed on recycled paper.

**QUALITY MANAGEMENT SYSTEM**  
**CERTIFIED BY DNV**  
**== ISO/TS 16949:2002 ==**

*Microchip received ISO/TS-16949:2002 certification for its worldwide headquarters, design and wafer fabrication facilities in Chandler and Tempe, Arizona, Gresham, Oregon and Mountain View, California. The Company's quality system processes and procedures are for its PIC® 8-bit MCUs, KEELOQ® code hopping devices, Serial EEPROMs, microperipherals, nonvolatile memory and analog products. In addition, Microchip's quality system for the design and manufacture of development systems is ISO 9001:2000 certified.*



**MICROCHIP**

## WORLDWIDE SALES AND SERVICE

### AMERICAS

**Corporate Office**  
2355 West Chandler Blvd.  
Chandler, AZ 85224-6199  
Tel: 480-792-7200  
Fax: 480-792-7277  
Technical Support:  
<http://support.microchip.com>  
Web Address:  
[www.microchip.com](http://www.microchip.com)

**Atlanta**  
Duluth, GA  
Tel: 678-957-9614  
Fax: 678-957-1455

**Boston**  
Westborough, MA  
Tel: 774-760-0087  
Fax: 774-760-0088

**Chicago**  
Itasca, IL  
Tel: 630-285-0071  
Fax: 630-285-0075

**Dallas**  
Addison, TX  
Tel: 972-818-7423  
Fax: 972-818-2924

**Detroit**  
Farmington Hills, MI  
Tel: 248-538-2250  
Fax: 248-538-2260

**Kokomo**  
Kokomo, IN  
Tel: 765-864-8360  
Fax: 765-864-8387

**Los Angeles**  
Mission Viejo, CA  
Tel: 949-462-9523  
Fax: 949-462-9608

**Santa Clara**  
Santa Clara, CA  
Tel: 408-961-6444  
Fax: 408-961-6445

**Toronto**  
Mississauga, Ontario,  
Canada  
Tel: 905-673-0699  
Fax: 905-673-6509

### ASIA/PACIFIC

**Asia Pacific Office**  
Suites 3707-14, 37th Floor  
Tower 6, The Gateway  
Harbour City, Kowloon  
Hong Kong  
Tel: 852-2401-1200  
Fax: 852-2401-3431

**Australia - Sydney**  
Tel: 61-2-9868-6733  
Fax: 61-2-9868-6755

**China - Beijing**  
Tel: 86-10-8528-2100  
Fax: 86-10-8528-2104

**China - Chengdu**  
Tel: 86-28-8665-5511  
Fax: 86-28-8665-7889

**China - Fuzhou**  
Tel: 86-591-8750-3506  
Fax: 86-591-8750-3521

**China - Hong Kong SAR**  
Tel: 852-2401-1200  
Fax: 852-2401-3431

**China - Qingdao**  
Tel: 86-532-8502-7355  
Fax: 86-532-8502-7205

**China - Shanghai**  
Tel: 86-21-5407-5533  
Fax: 86-21-5407-5066

**China - Shenyang**  
Tel: 86-24-2334-2829  
Fax: 86-24-2334-2393

**China - Shenzhen**  
Tel: 86-755-8203-2660  
Fax: 86-755-8203-1760

**China - Shunde**  
Tel: 86-757-2839-5507  
Fax: 86-757-2839-5571

**China - Wuhan**  
Tel: 86-27-5980-5300  
Fax: 86-27-5980-5118

**China - Xian**  
Tel: 86-29-8833-7250  
Fax: 86-29-8833-7256

### ASIA/PACIFIC

**India - Bangalore**  
Tel: 91-80-4182-8400  
Fax: 91-80-4182-8422

**India - New Delhi**  
Tel: 91-11-4160-8631  
Fax: 91-11-4160-8632

**India - Pune**  
Tel: 91-20-2566-1512  
Fax: 91-20-2566-1513

**Japan - Yokohama**  
Tel: 81-45-471- 6166  
Fax: 81-45-471-6122

**Korea - Gumi**  
Tel: 82-54-473-4301  
Fax: 82-54-473-4302

**Korea - Seoul**  
Tel: 82-2-554-7200  
Fax: 82-2-558-5932 or  
82-2-558-5934

**Malaysia - Penang**  
Tel: 60-4-646-8870  
Fax: 60-4-646-5086

**Philippines - Manila**  
Tel: 63-2-634-9065  
Fax: 63-2-634-9069

**Singapore**  
Tel: 65-6334-8870  
Fax: 65-6334-8850

**Taiwan - Hsin Chu**  
Tel: 886-3-572-9526  
Fax: 886-3-572-6459

**Taiwan - Kaohsiung**  
Tel: 886-7-536-4818  
Fax: 886-7-536-4803

**Taiwan - Taipei**  
Tel: 886-2-2500-6610  
Fax: 886-2-2508-0102

**Thailand - Bangkok**  
Tel: 66-2-694-1351  
Fax: 66-2-694-1350

### EUROPE

**Austria - Wels**  
Tel: 43-7242-2244-39  
Fax: 43-7242-2244-393

**Denmark - Copenhagen**  
Tel: 45-4450-2828  
Fax: 45-4485-2829

**France - Paris**  
Tel: 33-1-69-53-63-20  
Fax: 33-1-69-30-90-79

**Germany - Munich**  
Tel: 49-89-627-144-0  
Fax: 49-89-627-144-44

**Italy - Milan**  
Tel: 39-0331-742611  
Fax: 39-0331-466781

**Netherlands - Drunen**  
Tel: 31-416-690399  
Fax: 31-416-690340

**Spain - Madrid**  
Tel: 34-91-708-08-90  
Fax: 34-91-708-08-91

**UK - Wokingham**  
Tel: 44-118-921-5869  
Fax: 44-118-921-5820

12/08/06