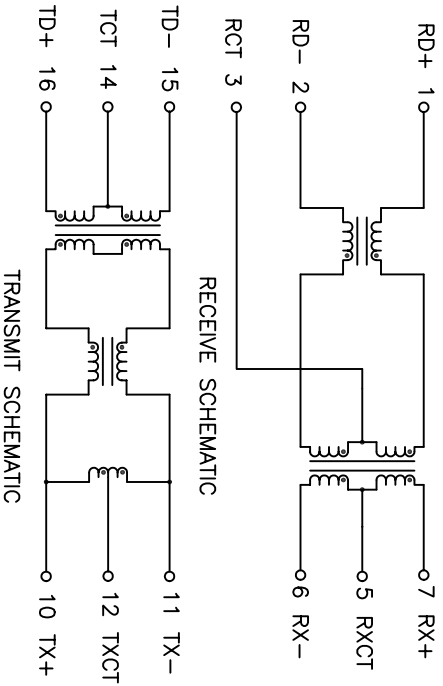


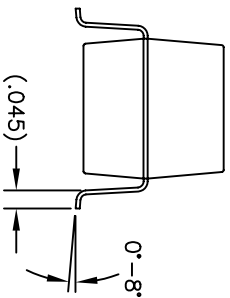
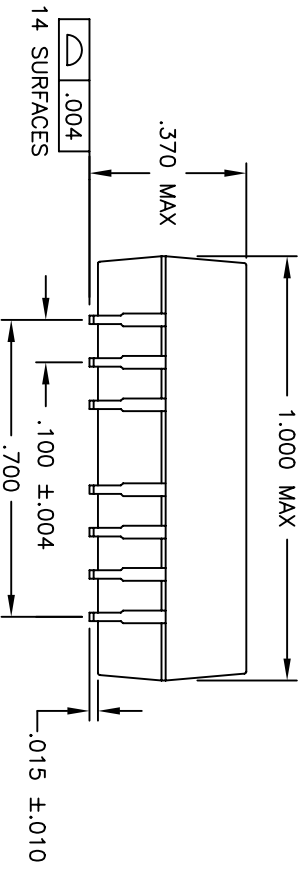
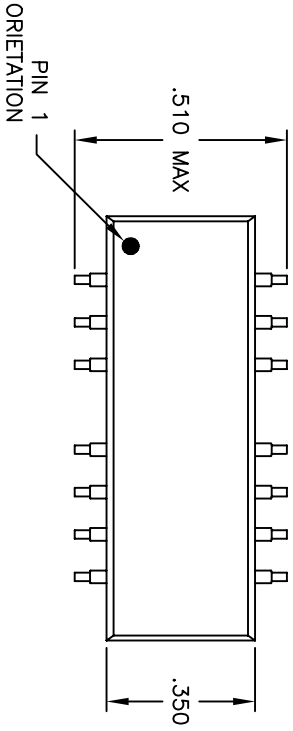
ELECTRICAL CHARACTERISTICS AT +25°C UNLESS OTHER SPECIFIED

PARAMETER	SPECIFICATIONS						
OPERATING TEMP	0°C - 70°C						
URNS RATIO	1.00 ± 2%						
POLARITY	PER SCHEMATIC						
INSERTION LOSS	100 KHZ	32-62 MHZ	100 MHZ	140 MHZ			
	-1.2 DB MAX	-1 DB MAX	-1.6 DB MAX	-3 DB MAX			
	1-30 MHZ	40 MHZ	50 MHZ	60-80 MHZ			
RETURN LOSS (Z OUT = 100 OHM±15%)	-16 DB MIN	-13.5 DB MIN	-11.5 DB MIN	-10 DB MIN			
	32 MHZ	62-100 MHZ					
CROSSTALK, ADJACENT CHANNELS	-40 DB MIN	-38 DB MIN					
	32 MHZ	62 MHZ	100 MHZ	200 MHZ			
DIFFERENTIAL TO COMMON MODE REJECTION RATIO	-42 DB MIN	-37 DB MIN	-33 DB MIN	-25 DB MIN			
	.60 OHMS MAX						
DC RESISTANCE 1/2 WINDING	±.065 OHMS MAX (CENTER TAP SYMMETRY)						
DC RESISTANCE IMBALANCE	1500 VRMS MIN @ 60 SECONDS						
INPUT - OUTPUT ISOLATION	1500 VRMS MIN @ 60 SECONDS						



© Copyright, 2014. Pulse Electronics Corp. All rights reserved. Pulse confidential & proprietary. (10/22/14)

PRODUCT DESCRIPTION	TLA DRAWING	PS DRAWING	SHEET	PART NO.	DATASHEET REV.
MDL,SIN,100D,1:1,SM,TU	PE-68515LNL-11	-	2 OF 3	PE-68515LNL	A



DIMENSIONS ARE IN INCHES WITH THE FOLLOWING TOLERANCES:
 .XX = ±.01
 .XXX = ±.005

© Copyright, 2014, Pulse Electronics Corp. All rights reserved. Pulse confidential & proprietary. (10/22/14)

PRODUCT DESCRIPTION	TLA DRAWING	PS DRAWING	SHEET	PART NO.	DATASHEET REV.
MDL,SIN,100D,1:1,SM,TU	PE-68515LNL-11	-	3 OF 3	PE-68515LNL	A