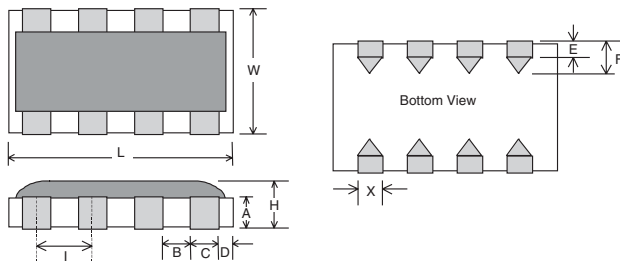


Environmental Specifications:

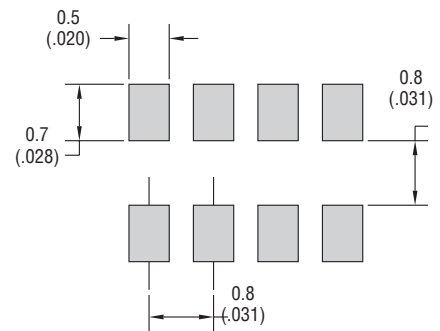
- Moisture Resistance: MIL-STD-883, Method 1004.7, 85°C, 85%R.H., 240 hrs.
- Thermal shock: MIL-STD-202, Method 107G, -65°C to 125°C, 30 min. cycle, 5 cycles
- Vibration: MIL-STD-202F, Method 201A, (10 to 55 to 10 Hz, 1 min. cycle, 2 hrs each in X-Y-Z)
- Chemical resistance: ASTM D-543, 24 hrs @ 50°C, 3 solutions (H2O, detergent solution, defluxer)
- Full load voltage: Up to 24 VDC, 1000 hrs, 25°C
- Solder leach resistance and terminal adhesion: Per EIA-576
- Solderability: MIL-STD-202, Method 208 (95% coverage)

Product Dimension

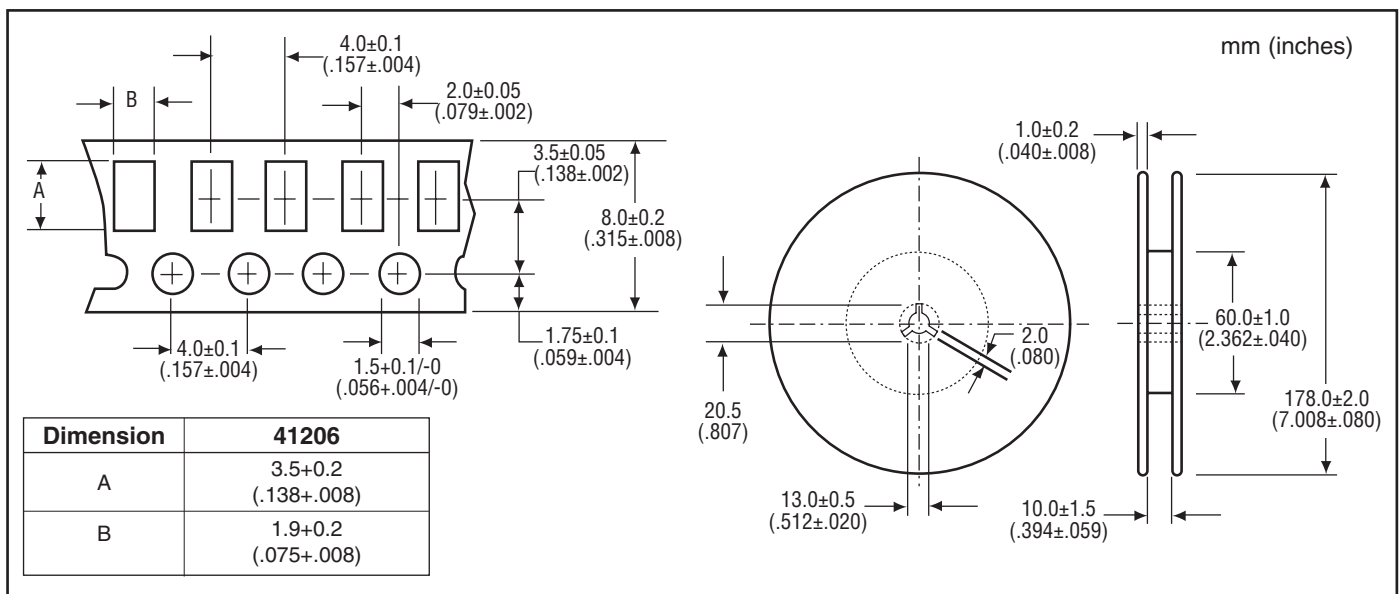


EIA Size	L	W	H	A	B
41206	3.2 ± 0.2	1.6 ± 0.2	0.8 max	0.38 ± 0.5	0.2 min, 0.4 typ
mm(inch)	$(.126 \pm .008)$	$(.063 \pm .008)$	(.032 max)	$(.015 \pm .002)$	(.008 min, .16 Typ)
C	D	E	F	I	X
0.4 Typ (.016 Typ)	0.2 ± 0.1 (.008 ± .004)	0.2 Typ (.008 Typ)	0.38 ± 0.10 (.015 ± .004)	0.80 ± 0.02 (.03 ± .0008)	0.45 ± 0.02 (.017 ± .0008)

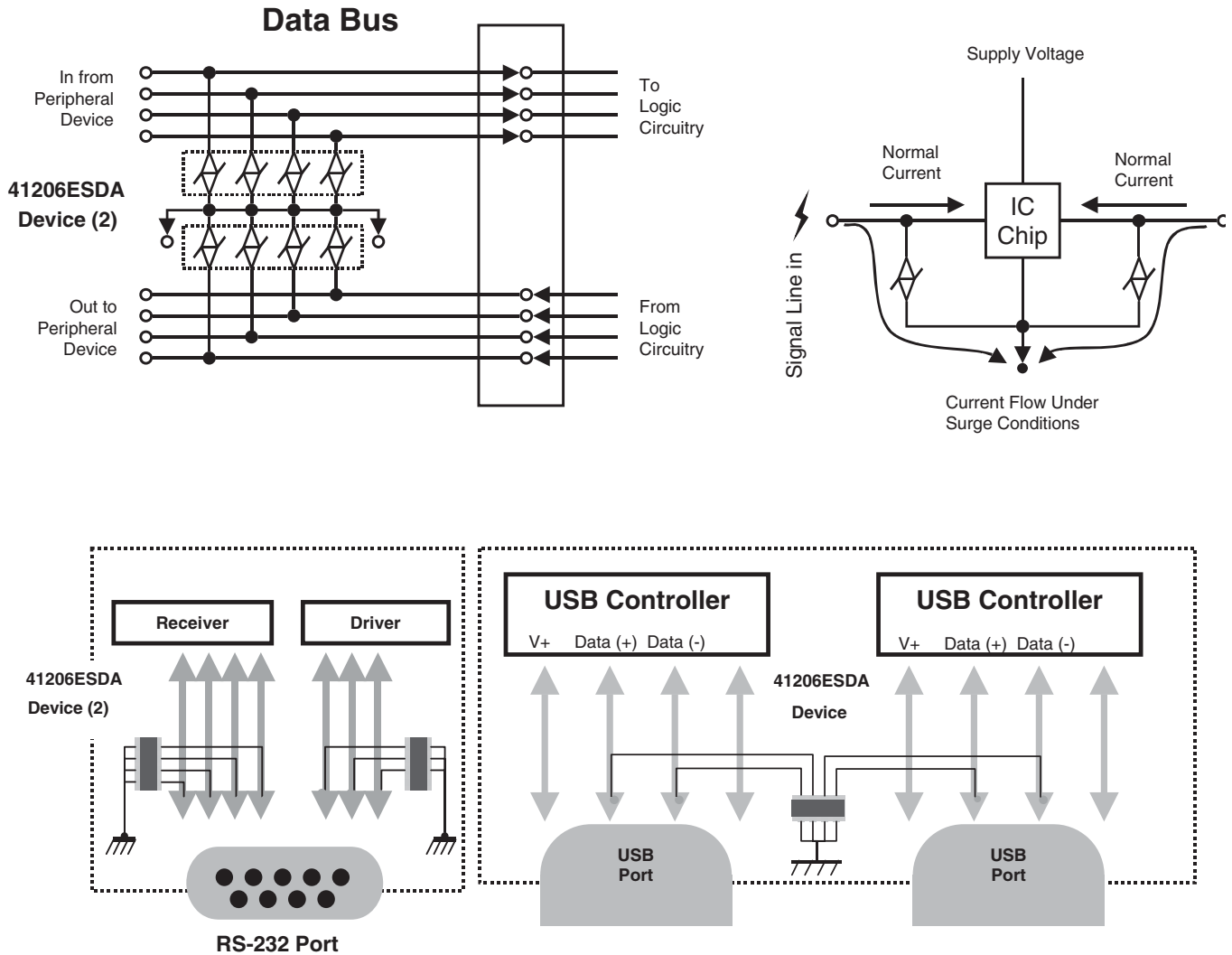
Recommended Solder Pad Outline
(per IPC-SM-782)



Tape-and-Reel Specification



Typical Applications



Life Support Policy: Eaton does not authorize the use of any of its products for use in life support devices or systems without the express written approval of an officer of the Company. Life support systems are devices which support or sustain life, and whose failure to perform, when properly used in accordance with instructions for use provided in the labeling, can be reasonably expected to result in significant injury to the user.

Eaton reserves the right, without notice, to change design or construction of any products and to discontinue or limit distribution of any products. Eaton also reserves the right to change or update, without notice, any technical information contained in this bulletin.

Eaton
Electronics Division
1000 Eaton Boulevard
Cleveland, OH 44122
United States
www.eaton.com/electronics

© 2017 Eaton
All Rights Reserved
Printed in USA
Publication No. DS41206
May 2017

Eaton is a registered trademark.

All other trademarks are property of their respective owners.