

COIL DATA

at 23°C

Single side stable

Coil Code	Nominal Voltage VDC ⁽¹⁾	Pick-up Voltage VDC ⁽¹⁾ max.	Drop-out Voltage VDC ⁽¹⁾ min.	Coil Resistance Ω	Nominal Power mW approx.	Max. Voltage VDC ⁽⁴⁾
HFD4/1.5	1.5	1.13	0.15	16 x (1±10%)	140	3.0
HFD4/2.4	2.4	1.8	0.24	41 x (1±10%)	140	4.8
HFD4/3	3	2.25	0.3	64.3 x (1±10%)	140	6.0
HFD4/4.5	4.5	3.38	0.45	145 x (1±10%)	140	9.0
HFD4/5	5	3.75	0.5	178 x (1±10%)	140	10
HFD4/6	6	4.5	0.6	257 x (1±10%)	140	12
HFD4/9	9	6.75	0.9	579 x (1±10%)	140	18
HFD4/12	12	9	1.2	1028 x (1±10%)	140	24
HFD4/24	24	18	2.4	2880 x (1±10%)	200	48

1 coil latching

Coil Code	Nominal Voltage VDC ⁽¹⁾	Pick-up Voltage VDC ⁽¹⁾ max.	Drop-out Voltage VDC ⁽¹⁾ min.	Coil Resistance Ω	Nominal Power mW approx.	Max. Voltage VDC ⁽⁴⁾
HFD4/1.5-L	1.5	1.13	1.13	22.5 x (1±10%)	100	3.0
HFD4/2.4-L	2.4	1.8	1.8	58x (1±10%)	100	4.8
HFD4/3-L	3	2.25	2.25	90 x (1±10%)	100	6.0
HFD4/4.5-L	4.5	3.38	3.38	203 x (1±10%)	100	9.0
HFD4/5-L	5	3.75	3.75	250 x (1±10%)	100	10
HFD4/6-L	6	4.5	4.5	360 x (1±10%)	100	12
HFD4/9-L	9	6.75	6.75	810 x (1±10%)	100	18
HFD4/12-L	12	9	9	1440 x (1±10%)	100	24
HFD4/24-L	24	18	18	2880 x (1±10%)	200	48

Notes: (1) Energizing coil with rated voltage is basic for normal operation of a relay. Please make sure the energized voltage to relay coil have reached the rated voltage.

(2) In case 5V of transistor drive circuit, it is recommended to use 4.5V type relay, and 3V to use 2.4V type relay.

(3) For monostable relays, if you need to drop down voltage and hold mode after reliably operating, make sure that the effective value of holding voltage is not less than 60% of the rated voltage.

(4) Maximum voltage refers to the maximum voltage which relay coil could endure in a short period of time.

(5) When user's requirements can't be found in the above table, special order allowed.

ORDERING INFORMATION

Type	HFD4 / 24 -L S R (XXX)					
Coil voltage	1.5, 2.4, 3, 4.5, 5, 6, 9, 12, 24VDC					
Sort	L: 1 coil latching		Nil: Single side stable			
Terminal type	S: Standard SMT		S1: Short terminal SMT		Nil: DIP	
Packing style	R: Tape and reel packing (Only for SMT type) ¹⁾ Nil: Tube packing(Only for DIP type)					
Special code ³⁾	XXX: Customer special requirement			Nil: Standard		

Notes: 1) R type (tape and reel) packing is moisture-proof which meets requirement of MSL-3. Please choose R type packing for SMT products. For R type, the letter "R" will only be printed on packing tag but not on relay cover. Tube packing is normally not available for SMT products unless specially requested by customer. But please note that tube packing is not moisture-proof so please bake the products before use according to description of Notice 10 herewith. In addition, tube packaging will be adopted when the ordering quantity of R type is equal to or less than 100 pieces unless otherwise specified.

2) When coil sort, contact material, terminal type or packing style are needed, please add "-" after coil voltage is selected. For instance, HFD4/24-SR.

3) The customer special requirement express as special code after evaluating by Hongfa.

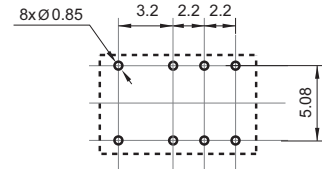
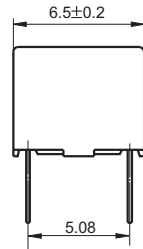
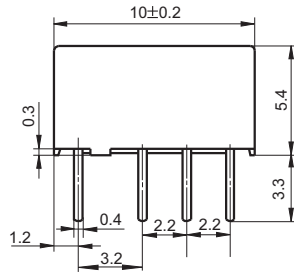
4) The standard tube length is 520mm. Any special requirement needed, please contact us for more details.

5) For products that should meet the explosion-proof requirements of "IEC 60079 series", please note [Ex] after the specification while placing orders. Not all products have explosion-proof certification, so please contact us if necessary, in order to select the suitable products.

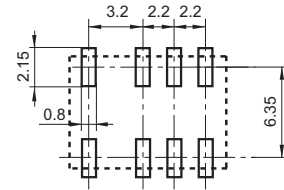
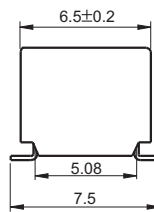
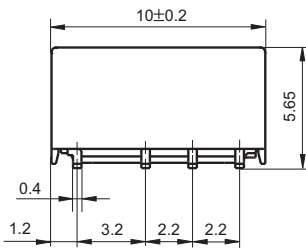
Outline Dimensions

PCB Layout
(Bottom view)

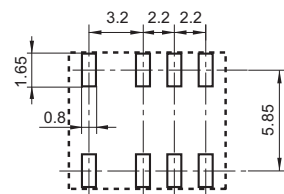
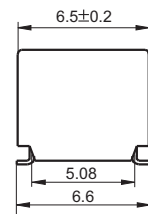
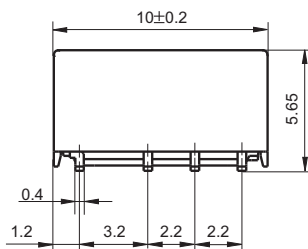
DIP type



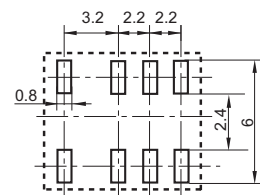
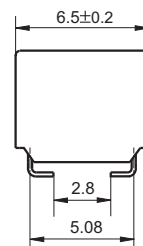
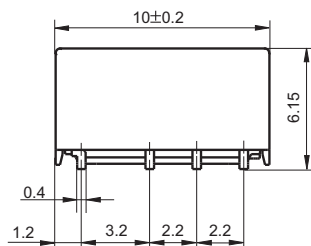
Standard SMT type



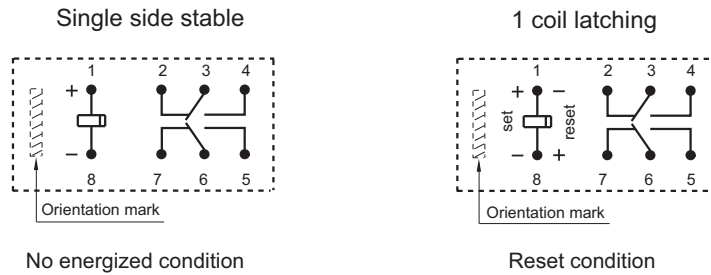
Short terminal SMT type



J-legs SMT type



Wiring Diagram
(Bottom view)



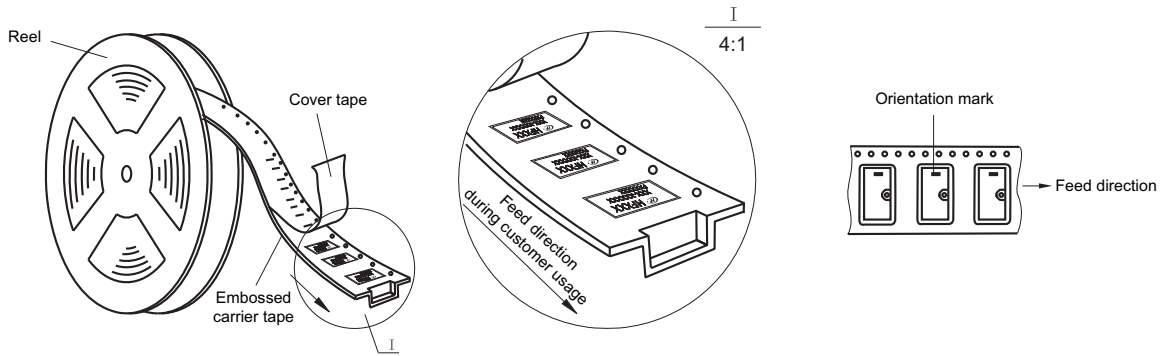
No energized condition

Reset condition

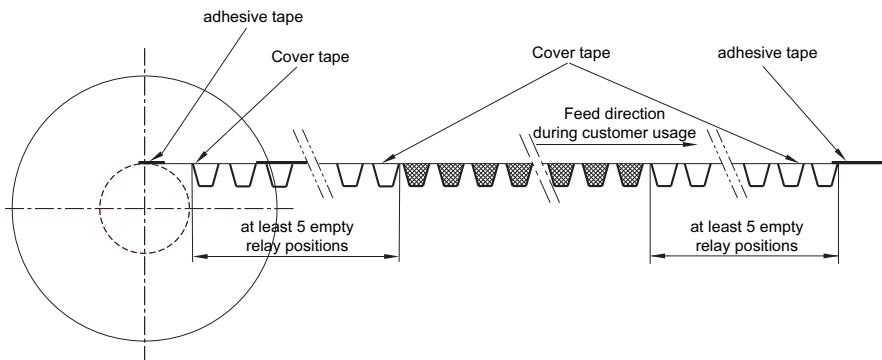
Remark: 1) In case of no tolerance shown in outline dimension: outline dimension $\leq 1\text{mm}$, tolerance should be $\pm 0.2\text{mm}$; outline dimension $> 1\text{mm}$ and $\leq 5\text{mm}$, tolerance should be $\pm 0.3\text{mm}$; outline dimension $> 5\text{mm}$, tolerance should be $\pm 0.4\text{mm}$.
2) The tolerance without indicating for PCB layout is always $\pm 0.1\text{mm}$.

TAPE PACKING

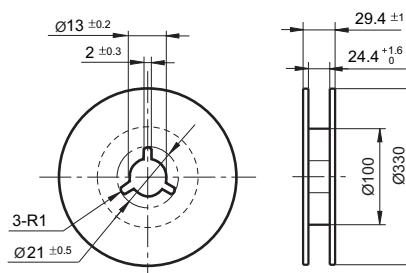
Direction of Relay Insertion



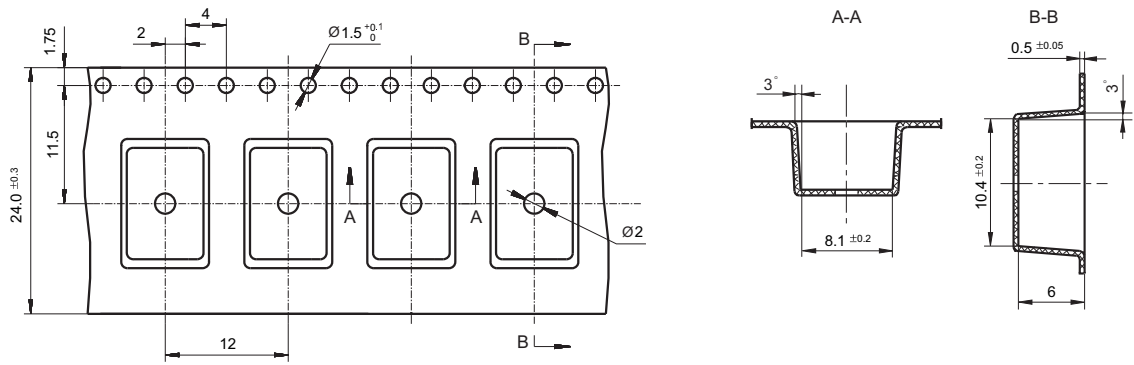
Notes: 1、S type/S1 type: 1) Packing: 900pcs/reel, 4 reels/carton.
2) MOQ for reel packing is 900pcs
2、S3 type: 1) Packing: 850pcs/reel, 4 reels/carton.
2) MOQ for reel packing is 850pcs..



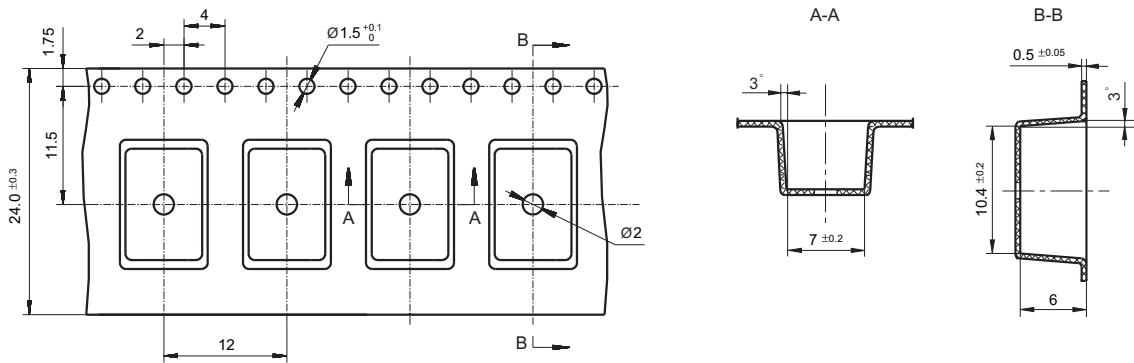
Reel Dimensions



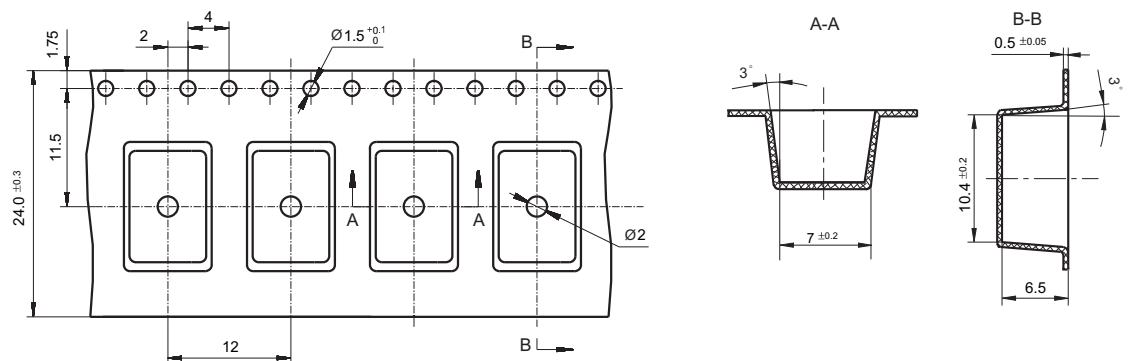
Tape Dimensions (S type: Standard SMT)



Tape Dimensions (S1 type: Short terminal SMT)



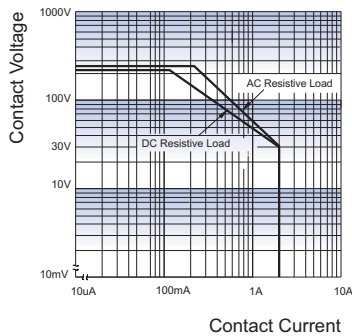
Tape Dimensions (S3 type: J-legs SMT)



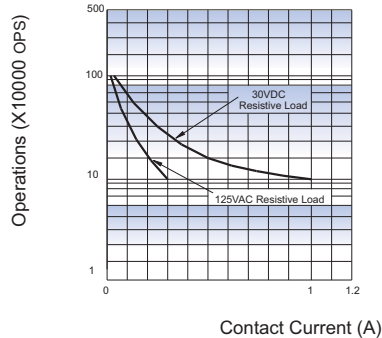
- Remark: 1) In case of no tolerance shown in outline dimension: outline dimension ≤ 1 mm, tolerance should be ± 0.2 mm; outline dimension > 1 mm and ≤ 5 mm, tolerance should be ± 0.3 mm; outline dimension > 5 mm, tolerance should be ± 0.4 mm.
 2) The tolerance without indicating for PCB layout is always ± 0.1 mm.
 3) The width of the gridding is 2.54mm.

CHARACTERISTIC CURVES

MAXIMUM SWITCHING POWER



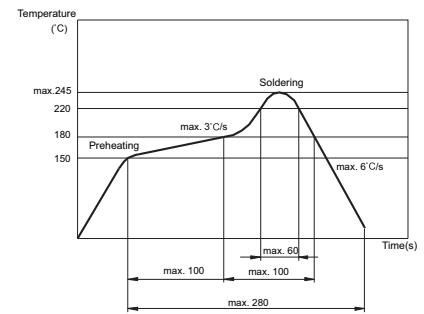
ENDURANCE CURVE



Test conditions:

Energized with rated voltage
Resistive load, at 85°C, 1s on 9s off.

REFLOW WELDING, TEMPERATURE ON PCB BOARD
RECOMMENDED WELDING TEMPERATURE



Notice

- 1) This relay is highly sensitive polarized relay, if correct polarity is not applied to the coil terminals, the relay does not operate properly.
- 2) To avoid using relays under strong magnetic field which will change the parameters of relays such as pick-up voltage and drop-out voltage.
- 3) Relay is on the "reset" status when being released from stock, with the consideration of shock risen from transit and relay mounting, it should be changed to the "set" status when application(connecting to the power supply). Please reset the relay to "set" or "reset" status on request.
- 4) Energizing coil with rated voltage is basic for normal operation of a relay, please make sure the energized voltage to relay coil have reached the rated voltage. Regarding latching relay, in order to maintain the "set" or "reset" status, impulse width of the rated voltage applied to coil should be more than 5 times of "set" or "reset" time.
- 5) For a monosteady state relay, after the relay is reliably operated, if it needs to be kept under pressure, make sure that the effective value of the voltage is not less than 60 % of the rated voltage;
- 6) The relay may be damaged because of falling or when shocking conditions exceed the requirement.
- 7) For SMT products, validation with real application should be done before your series production, if the reflow-soldering temperature curve is out of our recommendation. Generally, two-time reflow-soldering is not recommended for the relay. However, if two-time reflow-soldering is required, a 60-min. interval should be guaranteed and a validation should be done before production.
- 8) Please use wave soldering or manual soldering for straight-in relay. If you need reflow welding, please confirm the feasibility with us.
- 9) Contact is recommended for suitable condition and specifications if water cleaning or surface process is involved in assembling relays on PCB.
- 10) Regarding the plastic sealed relay, we should leave it cooling naturally until below 40°C after welding, then clean it and deal with coating, remarkably the temperature of solvents should also be controlled below 40°C. Please avoid cleaning the relay by ultrasonic, avoid using the solvents like gasoline, Freon, and so on, which would affect the configuration of relay or influence the environment.
- 11) Relays packaged in moisture barrier bags meet MSL-3 requirements. The relays should be stored at ambient conditions of $\leq 30^\circ\text{C}$ and $\leq 60\%$ RH after they are removed from their packaging, and should be used within 168 hours. If the relays cannot be used within 168 hours, please repack them or store them in a drying oven at $25^\circ\text{C} \pm 5^\circ\text{C}$, $\leq 10\%$ RH. Otherwise, relays may be subjected to a soldering test to check their performance, or they may be used after keeping them in an oven for 72 hours at with $50^\circ\text{C} \pm 5^\circ\text{C}$, $\leq 30\%$ RH.
- 12) When applied with continuous current, the heat from relay coil will age its isolation. Thus, please do not ground connected the coil to reduce electrical erosion if possible. And please provide protection circuit to avoid broken wire and losses.
- 13) Please make sure that there are no silicon-based substances (such as silicon rubber, silicone oil, silicon-based coating agents, silicon fillers, etc.) around the relay, because it will generate silicon-containing volatile gas, which may cause poor contact in case of silicon-containing volatile gas sticking on contact
- 14) About preferable condition of operation, storage and transportation, please refer to "Explanation to terminology and guidelines of relay".

Disclaimer

The specification is for reference only. See to "Terminology and Guidelines" for more information. Specifications subject to change without notice. We could not evaluate all the performance and all the parameters for every possible application. Thus the user should be in a right position to choose the suitable product for their own application. If there is any query, please contact Hongfa for the technical service. However, it is the user's responsibility to determine which product should be used only.

© Xiamen Hongfa Electroacoustic Co., Ltd. All rights of Hongfa are reserved.