

.040/.070 Hybrid I/O Connectors Wire to Board Applications

Plug Mark II (Side double-lock type)

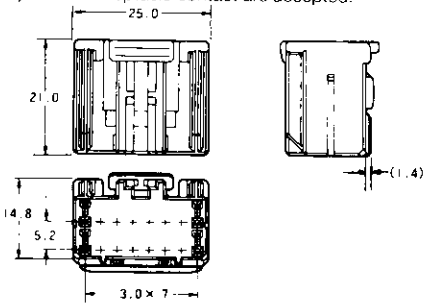
**16
Pos.**

Part Number : □-917981-□

■Part numbers of mating cap housings

38Pos. : □-175521-□	64Pos. : □-178764-□
42Pos. : □-175446-□	64Pos. : □-177609-□
54Pos. : □-175448-□	76Pos. : □-178780-□
	76Pos. : □-174915-□

*Only .040□ receptacle contact are accepted.

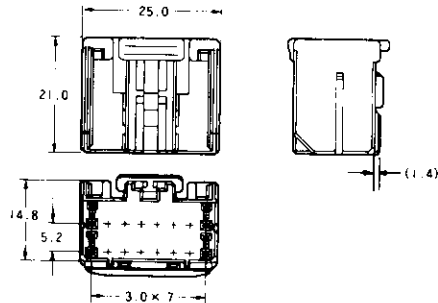


Part Number : □-917983-□ (The position of rib is changed from P/N 917981)

■Part numbers of mating cap housings

42Pos. : □-176242-□

*Only .040□ receptacle contact are accepted.

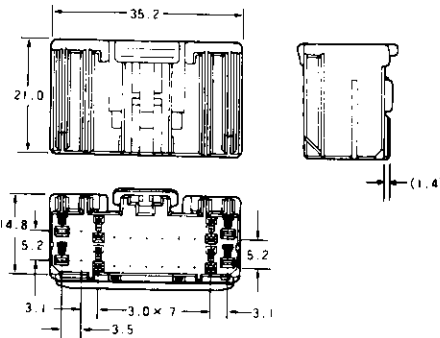


**22
Pos.**

Part Number : □-917989-□

■Part numbers of mating cap housings

34Pos. : □-175444-□	64Pos. : □-177609-□
38Pos. : □-175521-□	76Pos. : □-178780-□
48Pos. : □-174917-□	76Pos. : □-174915-□
64Pos. : □-178764-□	

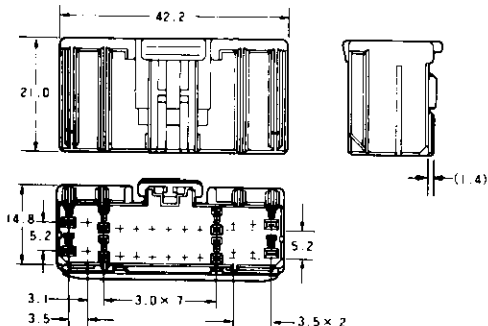


**26
Pos.**

Part Number : □-917992-□

■Part numbers of mating cap housings

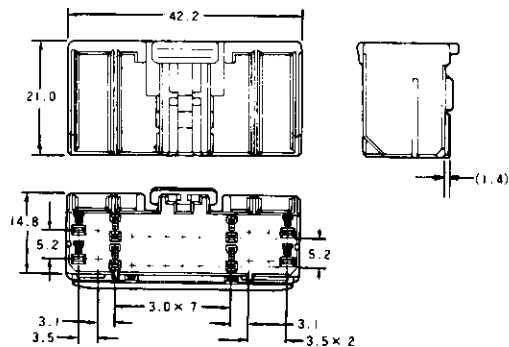
26Pos. : □-178811-□	54Pos. : □-175448-□
38Pos. : □-178093-□	64Pos. : □-178764-□
42Pos. : □-175446-□	64Pos. : □-177609-□
48Pos. : □-174917-□	76Pos. : □-178780-□
	76Pos. : □-174915-□



Part Number : □-917994-□ (The position of rib is changed from P/N 917992)

■Part numbers of mating cap housings

26Pos. : □-178762-□
42Pos. : □-176242-□



*The material of housing is of PBT.

*The figures in □ after part numbers vary according to housing colors, etc.