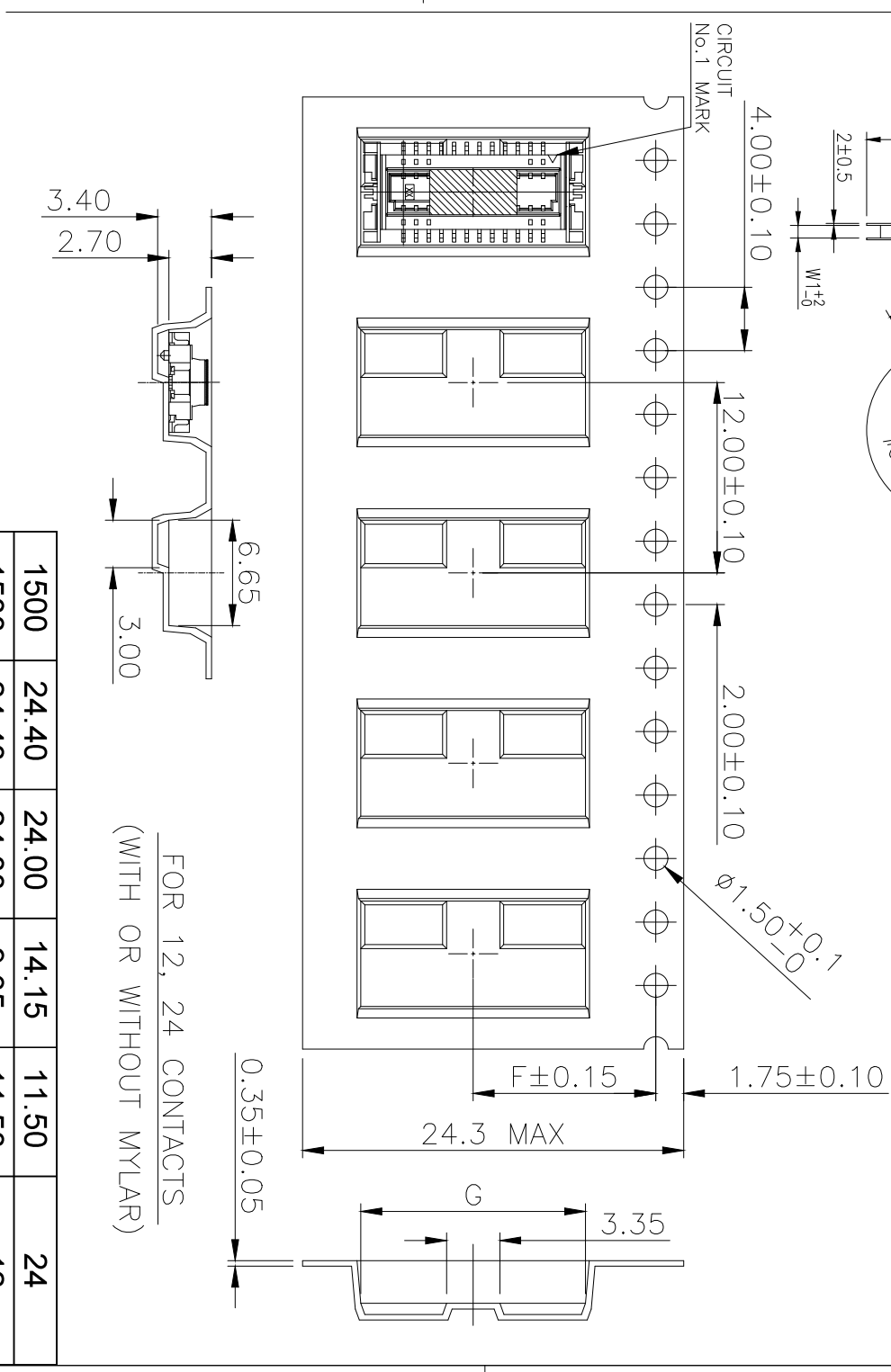
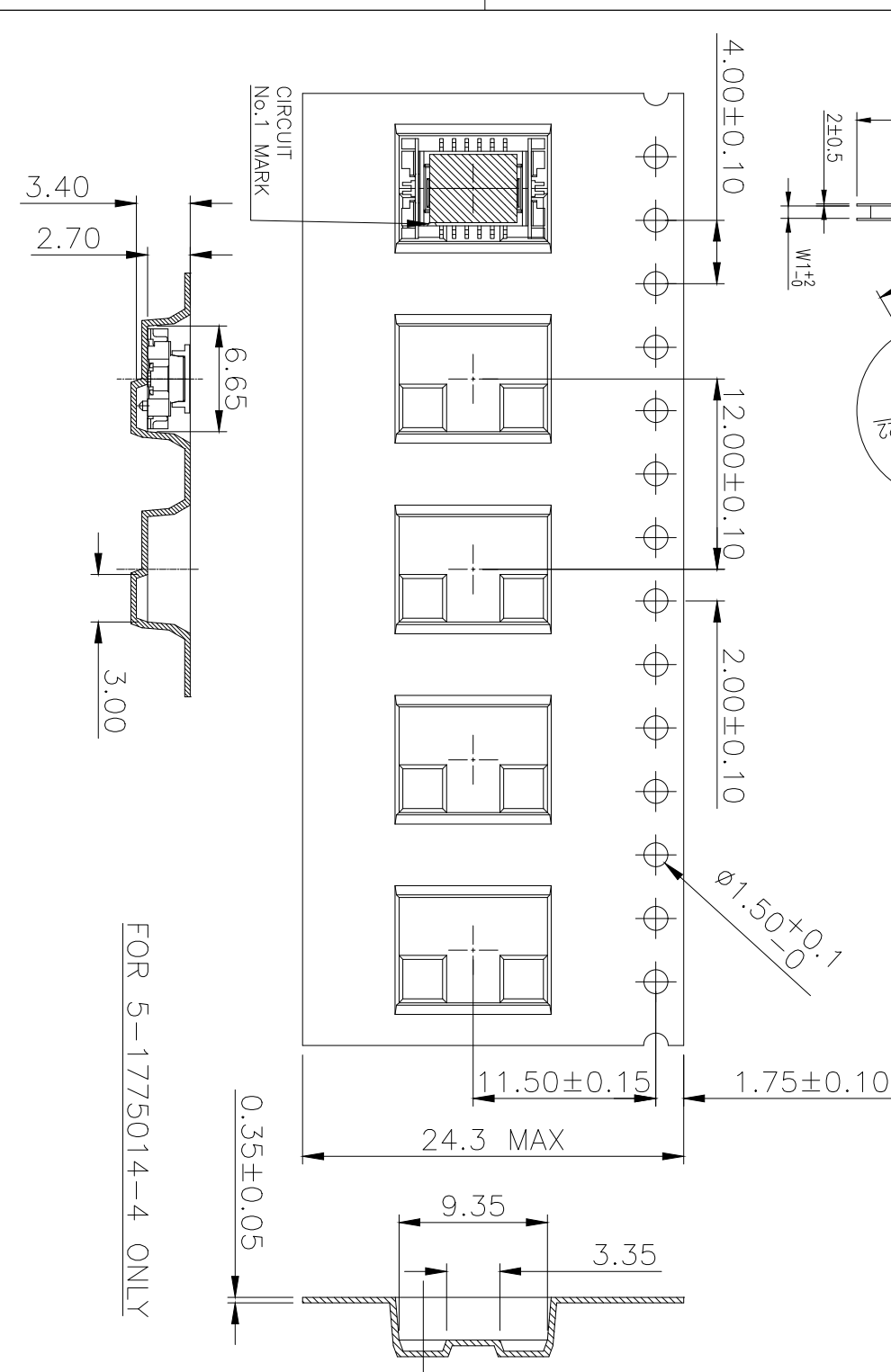
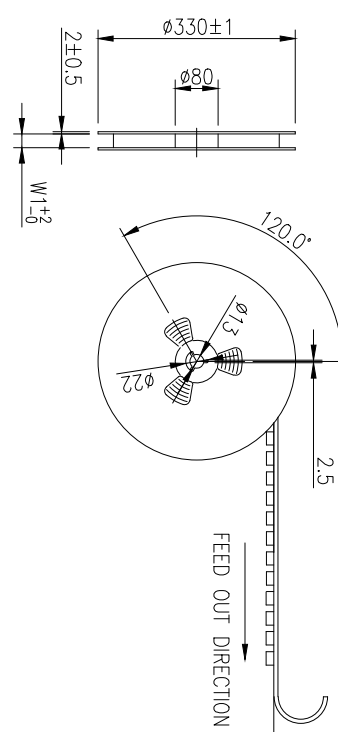
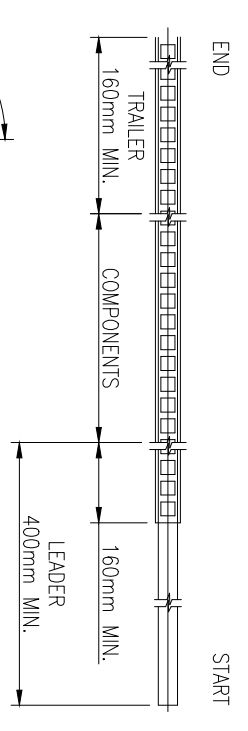


P	LTR	DESCRIPTION	DATE	DWN	APVD
-	-	SEE SHEET 1	-	-	-

REVISIONS



PCS / TAPE	DIMENSIONS				NO. OF CONTACTS
	W1	W	G	F	
1500	24.40	24.00	14.15	11.50	24
1500	24.40	24.00	9.35	11.50	12

FOR 12, 24 CONTACTS
(WITH OR WITHOUT MYLAR)

- NOTES:
1. MATERIAL:
BOX: FIBREBOARD, CORRUGATED, DOUBLE WALL.
COVER TAPE: PET, TRANSPARENT COLOR.
CARRIER TAPE: POLYSTYRENES, BLACK COLOR.
REEL: PAPER, BROWN COLOR.
BAG: POLYETHYLENES, TRANSPARENT COLOR.
 2. EACH BAG SHALL BE INCLUDED DESICCANT.
 3. PEELING STRENGTH: 0.1~1.3 N (10~130 GRAMS).
 4. PEELING SPEED: 300 mm/min.

THIS DRAWING IS A CONTROLLED DOCUMENT.

DIMENSIONS:	TOLERANCES UNLESS OTHERWISE SPECIFIED:
mm	0 PLC ± -
	1 PLC ± 0.3
	2 PLC ± 0.2
	3 PLC ± 0.15
	4 PLC ± -
	ANGLES ± 2°
	FINISH -



TE Connectivity
BOARD-TO-BOARD CONNECTOR,
0.8mm PITCH, FINE-STACK
3H. PLUG

DWN	A. WU	05FEB2013	NAME	BOARD-TO-BOARD CONNECTOR, 0.8mm PITCH, FINE-STACK 3H. PLUG
CHK	S. CHIEN	05FEB2013	APVD	W. KODAMA
	PRODUCT SPEC	108-57488	APPLICATION SPEC	
	WEIGHT	0		
	CUSTOMER DRAWING	A3	CAGE CODE	00779
			DRAWING NO	1775014
	SCALE	7:1	SHEET	2 of 2
			REV	G