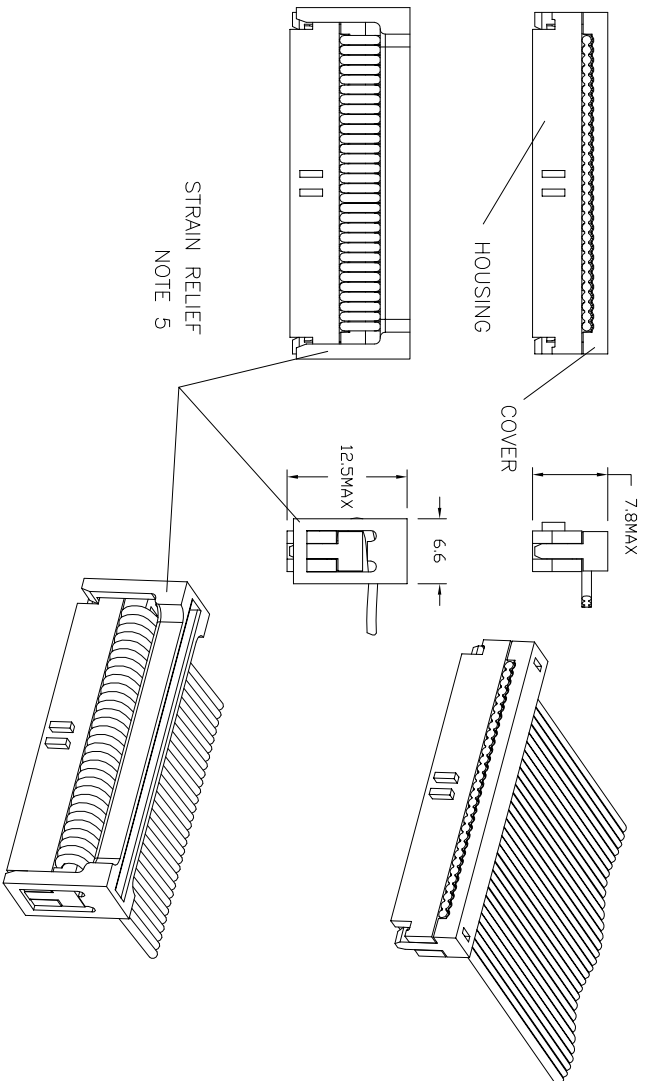


PRODUCT NUMBER	TOTAL NB OF POS	DIM "A"	DIM "B"	DIM "C"	STRAIN RELIEF OPTION
89947-X06LF	2x3	4	10.6	5	YES
89947-X08LF	2x4	6	12.6	7	YES
89947-X10LF	2x5	8	14.6	9	YES
89947-X12LF	2x6	10	16.6	11	YES
89947-X14LF	2x7	12	18.6	13	YES
89947-X16LF	2x8	14	20.6	15	YES
89947-X18LF	2x9	16	22.6	17	YES
89947-X20LF	2x10	18	24.6	19	YES
89947-X22LF	2x11	20	26.6	21	NOT TOOLED
89947-X24LF	2x12	22	28.6	23	YES
89947-X26LF	2x13	24	30.6	25	YES
89947-X28LF	2x14	26	32.6	27	NOT TOOLED
89947-X30LF	2x15	28	34.6	29	YES
89947-X34LF	2x17	32	38.6	33	YES
89947-X36LF	2x18	34	40.6	35	NOT TOOLED
89947-X40LF	2x20	38	44.6	39	YES
89947-X44LF	2x22	42	48.6	43	YES
89947-X48LF	2x24	46	52.6	47	YES
89947-X50LF	2x25	48	54.6	49	YES

NOTES :

- 1 - MATERIAL : TERMINAL PHOSPHORE BRONZE
BASE AND COVER : PBT GLASSFILLED UL 94V-0 BLACK
- 2 - PLATING : GOLD 0.76µm Au MIN ON CONTACT AREA
NICKEL 1.27µm MIN UNDERPLATING ALL OVER
- 3 - RECOMMENDED CABLE SIZE : AWG28, STRANDED
- 4 - THIS PRODUCT MEETS EUROPEAN UNION DIRECTIVES AND OTHER COUNTRY REGULATIONS AS PER GS-22-008.
PACKAGING SPECIFICATION AS PER GS-14-920.
- 5 - S= STRAIN RELIEF ACCESSORY, SEE TABLE FOR AVAILABILITY,
OMIT LETTER FROM PARTNUMBER IF NOT APPLICABLE.

PRODUCT CODE	WITHOUT CENTRAL KEY	WITH CENTRAL KEY	WITH CENTRAL KEY AND FRICTION LATOH BUMPS	AVAILABILITY
89947-7XX				FROM 2X3 POS UP TO 2X17
89947-3XX				FROM 2X17 POS UP TO 2X25
89947-1XX				FROM 2x3 POS UP TO 2x25



mat'l. code	SEE NOTE	surface ISO 1302	tolerance ISO 406 ISO 1101	projection	product family
thr ecn no	dr date	ISO 1302	ISO 406 ISO 1101	mm	MINITEK
L F06-0211LMU	06.07.03	tolerances unless otherwise specified	.004.13	mm	2.00mm IDC
M F07-0219LMU	07.06.12	angles	.004.13	mm	0.76µm Au
N F08-0218LCO	08.09.09	linear	.0004.05	scale 1:1	sheet 2 of 2 size
P F09-0081UCO	09.06.27	dr	L.MULIN	07.03.20	89947
		chr	engf.com/PAGNON	07.03.20	Product Customer Drawing
		appd	JM.C	07.03.20	A3
sheet index	revision				