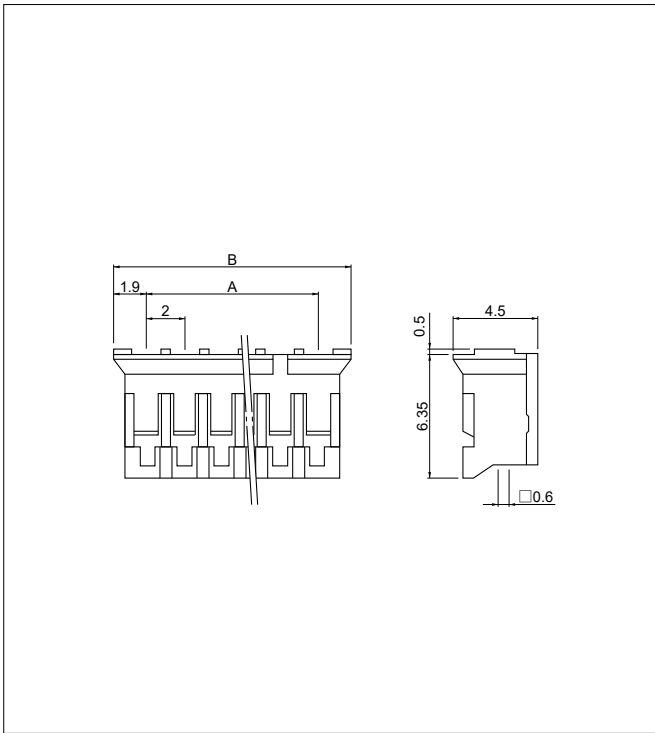


PH CONNECTOR (High box type)

Housing



No. of circuits	Model No.	Dimensions (mm)		Q'ty/box
		A	B	
2	PHR-2	2.0	5.8	1,000
3	PHR-3	4.0	7.8	1,000
4	PHR-4	6.0	9.8	1,000
5	PHR-5	8.0	11.8	1,000
6	PHR-6	10.0	13.8	1,000
7	PHR-7	12.0	15.8	1,000
8	PHR-8	14.0	17.8	1,000
9	PHR-9	16.0	19.8	1,000
10	PHR-10	18.0	21.8	1,000
11	PHR-11	20.0	23.8	1,000
12	PHR-12	22.0	25.8	1,000
13	PHR-13	24.0	27.8	1,000

Material and Finish

PA 66, UL94V-0, natural (white)

RoHS2 compliance

<For reference> As the color identification, the following alphabet shall be put in the underlined part. For availability, delivery and minimum order quantity, contact JST.

ex. **PHR-2-oo**

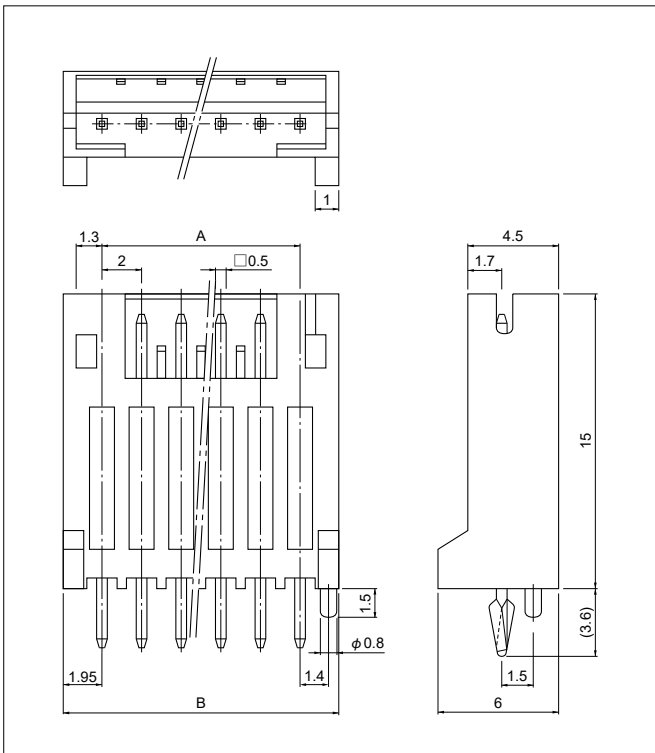
(blank)...natural (white)

BK...black R...red TR...tomato red BL...blue Y...yellow

L...lemon yellow M...green D...orange N...brown P...purple

PK...pink H...gray LE...light blue FY...vivid yellow

Shrouded header



No. of circuits	Model No.	Dimensions (mm)		Q'ty/box
		A	B	
2	BH2B-PH	2.0	5.9	800
3	BH3B-PH	4.0	7.9	480
4	BH4B-PH	6.0	9.9	400
5	BH5B-PH	8.0	11.9	390
6	BH6B-PH	10.0	13.9	300
7	BH7B-PH	12.0	15.9	240
8	BH8B-PH	14.0	17.9	240
9	BH9B-PH	16.0	19.9	200
10	BH10B-PH	18.0	21.9	200
11	BH11B-PH	20.0	23.9	150
12	BH12B-PH	22.0	25.9	150
13	BH13B-PH	24.0	27.9	100

Material and Finish

Post: Copper alloy, copper-undercoated, tin-plated (reflow treatment)
Wafer: PA 66, UL94V-0, natural (white)

RoHS2 compliance

This product displays (LF)(SN) on a label. <For reference> As the color identification, the following alphabet shall be put in the underlined part. For availability, delivery and minimum order quantity, contact JST.

ex. **BH2B-PH-oo**

(blank)...natural (white)

K...black R...red E...blue Y...yellow M...green N...brown