

## FST16211 24-Bit Bus Switch

### General Description

The Fairchild Switch FST16211 provides 24-bits of high-speed CMOS TTL-compatible bus switching. The low On Resistance of the switch allows inputs to be connected to outputs without adding propagation delay or generating additional ground bounce noise.

The device is organized as a 12-bit or 24-bit bus switch. When  $\overline{OE}_1$  is LOW, the switch is ON and Port 1A is connected to Port 1B. When  $\overline{OE}_2$  is LOW, Port 2A is connected to Port 2B. When  $\overline{OE}_{1/2}$  is HIGH, a high impedance state exists between the A and B Ports.

### Features

- 4Ω switch connection between two ports
- Minimal propagation delay through the switch
- Low  $I_{CC}$
- Zero bounce in flow-through mode
- Control inputs compatible with TTL level
- Also packaged in plastic Fine-Pitch Ball Grid Array (FBGA)

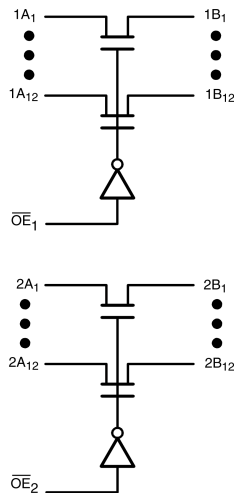
### Ordering Code:

| Order Number                  | Package Number | Package Description                                                         |
|-------------------------------|----------------|-----------------------------------------------------------------------------|
| FST16211G<br>(Note 1)(Note 2) | BGA54A         | 54-Ball Fine-Pitch Ball Grid Array (FBGA), JEDEC MO-205, 5.5mm Wide         |
| FST16211MEA<br>(Note 2)       | MS56A          | 56-Lead Shrink Small Outline Package (SSOP), JEDEC MO-118, 0.300" Wide      |
| FST16211MTD<br>(Note 2)       | MTD56          | 56-Lead Thin Shrink Small Outline Package (TSSOP), JEDEC MO-153, 6.1mm Wide |

**Note 1:** Ordering code "G" indicates Trays.

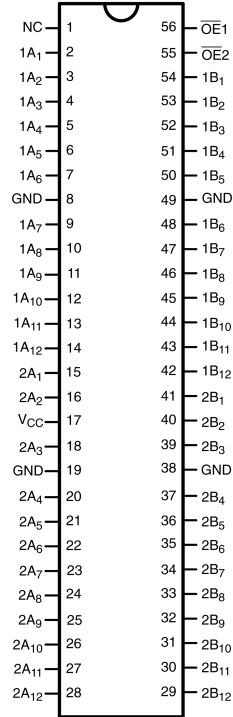
**Note 2:** Devices also available in Tape and Reel. Specify by appending the suffix letter "X" to the ordering code.

### Logic Diagram

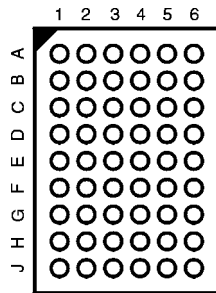


## Connection Diagrams

Pin Assignment for SSOP and TSSOP



Pin Assignment for FBGA



(Top Thru View)

## Pin Descriptions

| Pin Name                           | Description        |
|------------------------------------|--------------------|
| $\overline{OE}_1, \overline{OE}_2$ | Bus Switch Enables |
| 1A, 2A                             | Bus A              |
| 1B, 2B                             | Bus B              |

## FBGA Pin Assignments

|   | 1                | 2                | 3                | 4                | 5                | 6                |
|---|------------------|------------------|------------------|------------------|------------------|------------------|
| A | 1A <sub>2</sub>  | 1A <sub>1</sub>  | NC               | OE <sub>2</sub>  | 1B <sub>1</sub>  | 1B <sub>2</sub>  |
| B | 1A <sub>4</sub>  | 1A <sub>3</sub>  | 1A <sub>7</sub>  | OE <sub>1</sub>  | 1B <sub>3</sub>  | 1B <sub>4</sub>  |
| C | 1A <sub>6</sub>  | 1A <sub>5</sub>  | GND              | 1B <sub>7</sub>  | 1B <sub>5</sub>  | 1B <sub>6</sub>  |
| D | 1A <sub>10</sub> | 1A <sub>9</sub>  | 1A <sub>8</sub>  | 1B <sub>8</sub>  | 1B <sub>9</sub>  | 1B <sub>10</sub> |
| E | 1A <sub>12</sub> | 1A <sub>11</sub> | 2A <sub>1</sub>  | 2B <sub>1</sub>  | 1B <sub>11</sub> | 1B <sub>12</sub> |
| F | 2A <sub>4</sub>  | 2A <sub>3</sub>  | 2A <sub>2</sub>  | 2B <sub>2</sub>  | 2B <sub>3</sub>  | 2B <sub>4</sub>  |
| G | 2A <sub>6</sub>  | 2A <sub>5</sub>  | V <sub>CC</sub>  | GND              | 2B <sub>5</sub>  | 2B <sub>6</sub>  |
| H | 2A <sub>8</sub>  | 2A <sub>7</sub>  | 2A <sub>9</sub>  | 2B <sub>9</sub>  | 2B <sub>7</sub>  | 2B <sub>8</sub>  |
| J | 2A <sub>12</sub> | 2A <sub>11</sub> | 2A <sub>10</sub> | 2B <sub>10</sub> | 2B <sub>11</sub> | 2B <sub>12</sub> |

## Truth Table

| Inputs            |                   | Inputs/Outputs |         |
|-------------------|-------------------|----------------|---------|
| $\overline{OE}_1$ | $\overline{OE}_2$ | 1A, 1B         | 2A, 2B  |
| L                 | L                 | 1A = 1B        | 2A = 2B |
| L                 | H                 | 1A = 1B        | Z       |
| H                 | L                 | Z              | 2A = 2B |
| H                 | H                 | Z              | Z       |

**Absolute Maximum Ratings**(Note 3)

|                                                   |                  |
|---------------------------------------------------|------------------|
| Supply Voltage ( $V_{CC}$ )                       | -0.5V to +7.0V   |
| DC Switch Voltage ( $V_S$ ) (Note 4)              | -0.5V to +7.0V   |
| DC Input Voltage ( $V_{IN}$ ) (Note 5)            | -0.5V to +7.0V   |
| DC Input Diode Current ( $I_{IK}$ ) $V_{IN} < 0V$ | -50 mA           |
| DC Output ( $I_{OUT}$ ) Sink Current              | 128 mA           |
| DC $V_{CC}/GND$ Current ( $I_{CC}/I_{GND}$ )      | +/- 100 mA       |
| Storage Temperature Range ( $T_{STG}$ )           | -65°C to +150 °C |

**Recommended Operating Conditions** (Note 6)

|                                          |                  |
|------------------------------------------|------------------|
| Power Supply Operating ( $V_{CC}$ )      | 4.0V to 5.5V     |
| Input Voltage ( $V_{IN}$ )               | 0V to 5.5V       |
| Output Voltage ( $V_{OUT}$ )             | 0V to 5.5V       |
| Input Rise and Fall Time ( $t_r, t_f$ )  |                  |
| Switch Control Input                     | 0 ns/V to 5 ns/V |
| Switch I/O                               | 0 ns/V to DC     |
| Free Air Operating Temperature ( $T_A$ ) | -40 °C to +85 °C |

**Note 3:** The "Absolute Maximum Ratings" are those values beyond which the safety of the device cannot be guaranteed. The device should not be operated at these limits. The parametric values defined in the Electrical Characteristics tables are not guaranteed at the absolute maximum rating. The "Recommended Operating Conditions" table will define the conditions for actual device operation.

**Note 4:**  $V_S$  is the voltage observed/applied at either A or B Ports across the switch.

**Note 5:** The input and output negative voltage ratings may be exceeded if the input and output diode current ratings are observed.

**Note 6:** Unused control inputs must be held HIGH or LOW. They may not float.

**DC Electrical Characteristics**

| Symbol          | Parameter                        | $V_{CC}$<br>(V) | $T_A = -40\text{ °C to }+85\text{ °C}$ |                 |           | Units    | Conditions                                           |
|-----------------|----------------------------------|-----------------|----------------------------------------|-----------------|-----------|----------|------------------------------------------------------|
|                 |                                  |                 | Min                                    | Typ<br>(Note 7) | Max       |          |                                                      |
| $V_{IK}$        | Clamp Diode Voltage              | 4.5             |                                        |                 | -1.2      | V        | $I_{IN} = -18\text{ mA}$                             |
| $V_{IH}$        | HIGH Level Input Voltage         | 4.0-5.5         | 2.0                                    |                 |           | V        |                                                      |
| $V_{IL}$        | LOW Level Input Voltage          | 4.0-5.5         |                                        |                 | 0.8       | V        |                                                      |
| $I_I$           | Input Leakage Current            | 5.5             |                                        |                 | $\pm 1.0$ | $\mu A$  | $0 \leq V_{IN} \leq 5.5V$                            |
|                 |                                  | 0               |                                        |                 | 10        | $\mu A$  | $V_{IN} = 5.5V$                                      |
| $I_{OZ}$        | OFF-STATE Leakage Current        | 5.5             |                                        |                 | $\pm 1.0$ | $\mu A$  | $0 \leq A, B \leq V_{CC}$                            |
| $R_{ON}$        | Switch On Resistance<br>(Note 8) | 4.5             |                                        | 4               | 7         | $\Omega$ | $V_{IN} = 0V, I_{IN} = 64\text{ mA}$                 |
|                 |                                  | 4.5             |                                        | 4               | 7         | $\Omega$ | $V_{IN} = 0V, I_{IN} = 30\text{ mA}$                 |
|                 |                                  | 4.5             |                                        | 8               | 12        | $\Omega$ | $V_{IN} = 2.4V, I_{IN} = 15\text{ mA}$               |
|                 |                                  | 4.0             |                                        | 11              | 20        | $\Omega$ | $V_{IN} = 2.4V, I_{IN} = 15\text{ mA}$               |
| $I_{CC}$        | Quiescent Supply Current         | 5.5             |                                        |                 | 3         | $\mu A$  | $V_{IN} = V_{CC}$ or GND, $I_{OUT} = 0$              |
| $\Delta I_{CC}$ | Increase in $I_{CC}$ per Input   | 5.5             |                                        |                 | 2.5       | mA       | One Input at 3.4V<br>Other Inputs at $V_{CC}$ or GND |

**Note 7:** Typical values are at  $V_{CC} = 5.0V$  and  $T_A = +25\text{ °C}$

**Note 8:** Measured by the voltage drop between A and B pins at the indicated current through the switch. On Resistance is determined by the lower of the voltages on the two (A or B) pins.

## AC Electrical Characteristics

| Symbol                              | Parameter                             | T <sub>A</sub> = -40 °C to +85 °C,<br>C <sub>L</sub> = 50pF, R <sub>U</sub> = R <sub>D</sub> = 500Ω |      |                        |      | Units | Conditions                                                                             | Figure Number |
|-------------------------------------|---------------------------------------|-----------------------------------------------------------------------------------------------------|------|------------------------|------|-------|----------------------------------------------------------------------------------------|---------------|
|                                     |                                       | V <sub>CC</sub> = 4.5 - 5.5V                                                                        |      | V <sub>CC</sub> = 4.0V |      |       |                                                                                        |               |
|                                     |                                       | Min                                                                                                 | Max  | Min                    | Max  |       |                                                                                        |               |
| t <sub>PHL</sub> , t <sub>PLH</sub> | Propagation Delay Bus to Bus (Note 9) |                                                                                                     | 0.25 |                        | 0.25 | ns    | V <sub>I</sub> = OPEN                                                                  | Figures 1, 2  |
| t <sub>PZH</sub> , t <sub>PZL</sub> | Output Enable Time                    | 1.5                                                                                                 | 6.0  |                        | 6.5  | ns    | V <sub>I</sub> = 7V for t <sub>PZL</sub><br>V <sub>I</sub> = OPEN for t <sub>PZH</sub> | Figures 1, 2  |
| t <sub>PHZ</sub> , t <sub>PLZ</sub> | Output Disable Time                   | 1.5                                                                                                 | 7.0  |                        | 7.2  | ns    | V <sub>I</sub> = 7V for t <sub>PLZ</sub><br>V <sub>I</sub> = OPEN for t <sub>PHZ</sub> | Figures 1, 2  |

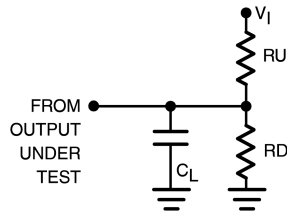
**Note 9:** This parameter is guaranteed by design but is not tested. The bus switch contributes no propagation delay other than the RC delay of the typical On Resistance of the switch and the 50pF load capacitance, when driven by an ideal voltage source (zero output impedance).

## Capacitance (Note 10)

| Symbol           | Parameter                     | Typ | Max | Units | Conditions                  |
|------------------|-------------------------------|-----|-----|-------|-----------------------------|
| C <sub>IN</sub>  | Control Pin Input Capacitance | 3   |     | pF    | V <sub>CC</sub> = 5.0V      |
| C <sub>I/O</sub> | Input/Output Capacitance      | 6   |     | pF    | V <sub>CC</sub> , OE = 5.0V |

**Note 10:** T<sub>A</sub> = +25°C, f = 1 MHz, Capacitance is characterized but not tested.

## AC Loading and Waveforms



**Note:** Input driven by 50 Ω source terminated in 50 Ω

**Note:** C<sub>L</sub> includes load and stray capacitance

**Note:** Input PRR = 1.0 MHz, t<sub>W</sub> = 500 ns

FIGURE 1. AC Test Circuit

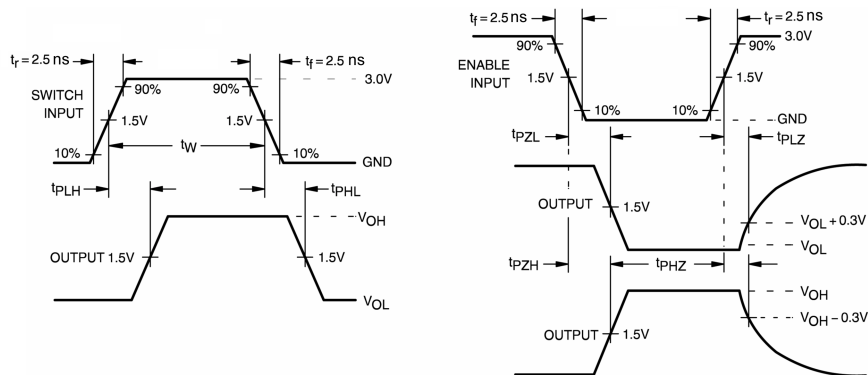
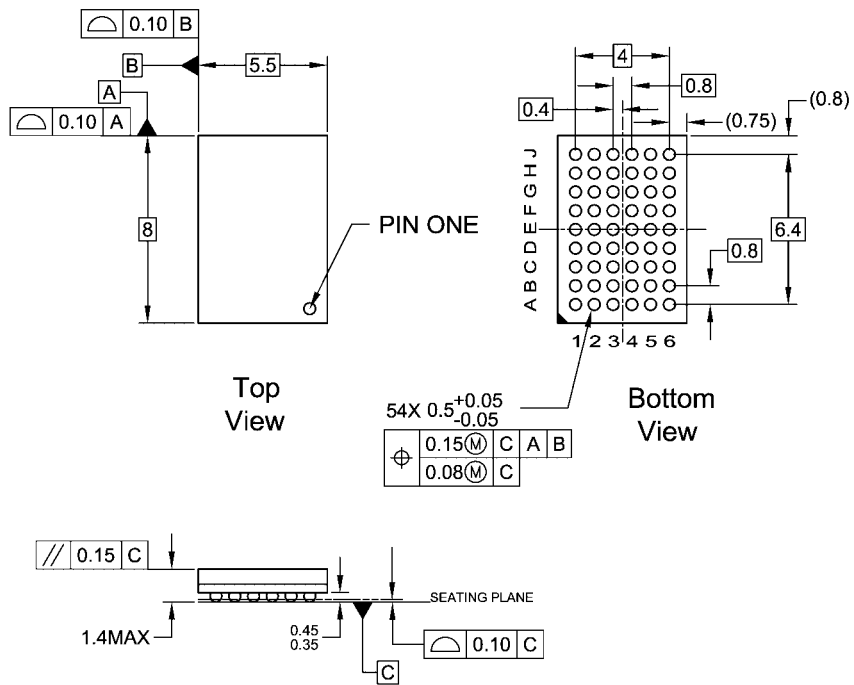


FIGURE 2. AC Waveforms



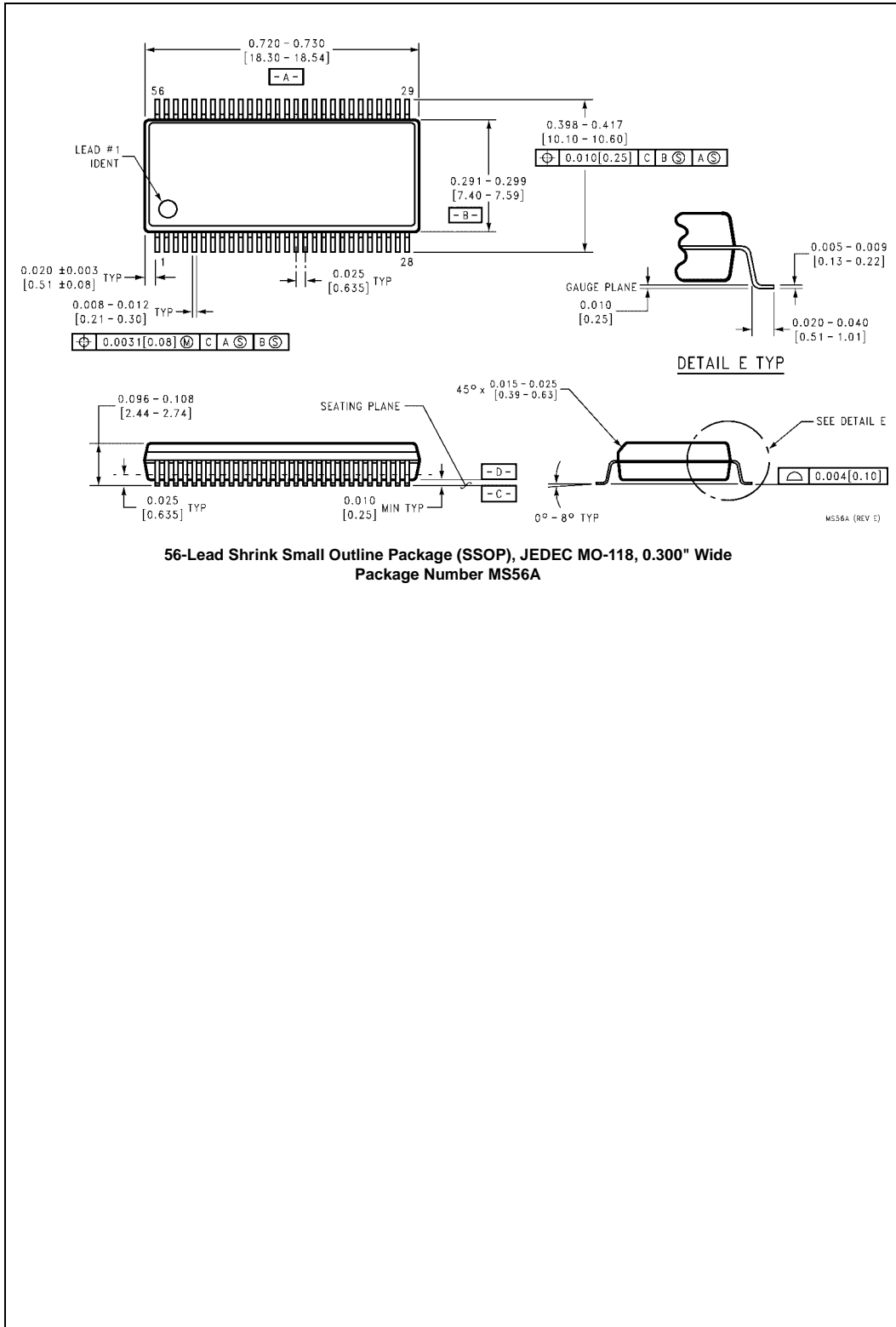
**NOTES:**

- A. THIS PACKAGE CONFORMS TO JEDEC M0-205
- B. ALL DIMENSIONS IN MILLIMETERS
- C. LAND PATTERN RECOMMENDATION: NSMD (Non Solder Mask Defined)  
.35MM DIA PADS WITH A SOLDERMASK OPENING OF .45MM CONCENTRIC TO PADS
- D. DRAWING CONFORMS TO ASME Y14.5M-1994

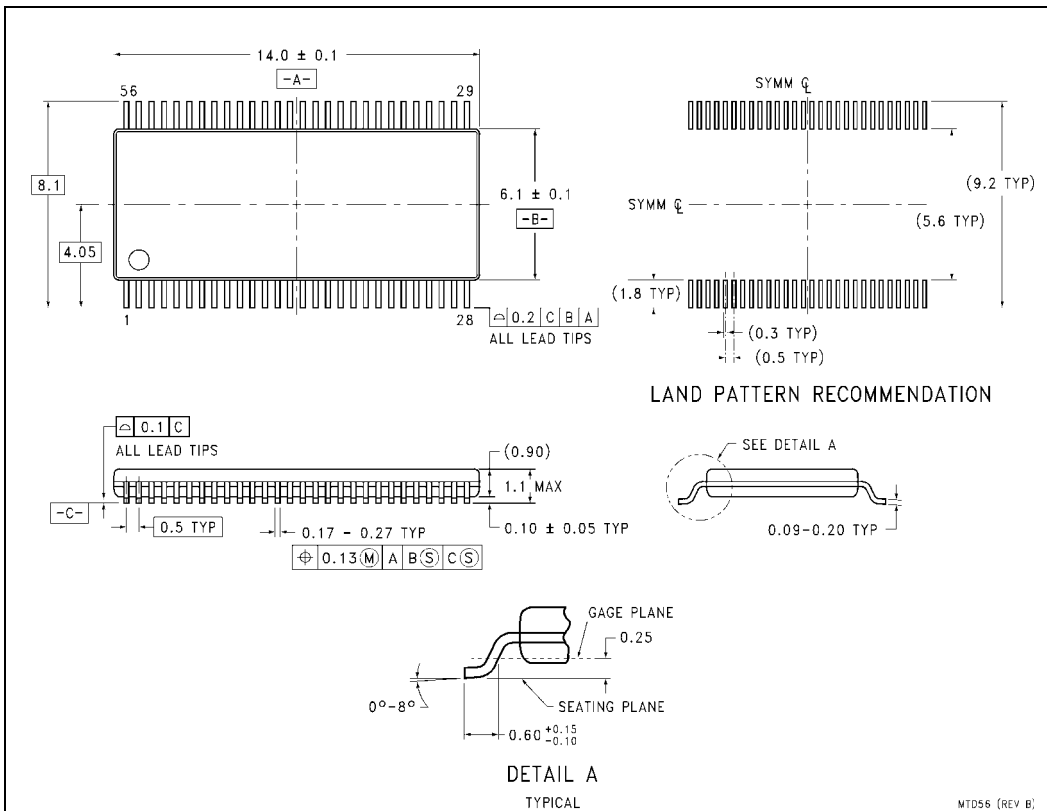
BGA54ArevD

**54-Ball Fine-Pitch Ball Grid Array (FBGA), JEDEC M0-205, 5.5mm Wide  
Package Number BGA54A**

FST16211



56-Lead Shrink Small Outline Package (SSOP), JEDEC MO-118, 0.300" Wide  
Package Number MS56A



**56-Lead Thin Shrink Small Outline Package (TSSOP), JEDEC MO-153, 6.1mm Wide  
Package Number MTD56**

### Technology Description

The Fairchild Switch family derives from and embodies Fairchild's proven switch technology used for several years in its 74LVX3L384 (FST3384) bus switch product.

Fairchild does not assume any responsibility for use of any circuitry described, no circuit patent licenses are implied and Fairchild reserves the right at any time without notice to change said circuitry and specifications.

#### LIFE SUPPORT POLICY

FAIRCHILD'S PRODUCTS ARE NOT AUTHORIZED FOR USE AS CRITICAL COMPONENTS IN LIFE SUPPORT DEVICES OR SYSTEMS WITHOUT THE EXPRESS WRITTEN APPROVAL OF THE PRESIDENT OF FAIRCHILD SEMICONDUCTOR CORPORATION. As used herein:

1. Life support devices or systems are devices or systems which, (a) are intended for surgical implant into the body, or (b) support or sustain life, and (c) whose failure to perform when properly used in accordance with instructions for use provided in the labeling, can be reasonably expected to result in a significant injury to the user.
2. A critical component in any component of a life support device or system whose failure to perform can be reasonably expected to cause the failure of the life support device or system, or to affect its safety or effectiveness.

[www.fairchildsemi.com](http://www.fairchildsemi.com)

ON Semiconductor and  are trademarks of Semiconductor Components Industries, LLC dba ON Semiconductor or its subsidiaries in the United States and/or other countries. ON Semiconductor owns the rights to a number of patents, trademarks, copyrights, trade secrets, and other intellectual property. A listing of ON Semiconductor's product/patent coverage may be accessed at [www.onsemi.com/site/pdf/Patent-Marking.pdf](http://www.onsemi.com/site/pdf/Patent-Marking.pdf). ON Semiconductor reserves the right to make changes without further notice to any products herein. ON Semiconductor makes no warranty, representation or guarantee regarding the suitability of its products for any particular purpose, nor does ON Semiconductor assume any liability arising out of the application or use of any product or circuit, and specifically disclaims any and all liability, including without limitation special, consequential or incidental damages. Buyer is responsible for its products and applications using ON Semiconductor products, including compliance with all laws, regulations and safety requirements or standards, regardless of any support or applications information provided by ON Semiconductor. "Typical" parameters which may be provided in ON Semiconductor data sheets and/or specifications can and do vary in different applications and actual performance may vary over time. All operating parameters, including "Typicals" must be validated for each customer application by customer's technical experts. ON Semiconductor does not convey any license under its patent rights nor the rights of others. ON Semiconductor products are not designed, intended, or authorized for use as a critical component in life support systems or any FDA Class 3 medical devices or medical devices with a same or similar classification in a foreign jurisdiction or any devices intended for implantation in the human body. Should Buyer purchase or use ON Semiconductor products for any such unintended or unauthorized application, Buyer shall indemnify and hold ON Semiconductor and its officers, employees, subsidiaries, affiliates, and distributors harmless against all claims, costs, damages, and expenses, and reasonable attorney fees arising out of, directly or indirectly, any claim of personal injury or death associated with such unintended or unauthorized use, even if such claim alleges that ON Semiconductor was negligent regarding the design or manufacture of the part. ON Semiconductor is an Equal Opportunity/Affirmative Action Employer. This literature is subject to all applicable copyright laws and is not for resale in any manner.

## PUBLICATION ORDERING INFORMATION

### LITERATURE FULFILLMENT:

Literature Distribution Center for ON Semiconductor  
19521 E. 32nd Pkwy, Aurora, Colorado 80011 USA  
**Phone:** 303-675-2175 or 800-344-3860 Toll Free USA/Canada  
**Fax:** 303-675-2176 or 800-344-3867 Toll Free USA/Canada  
**Email:** [orderlit@onsemi.com](mailto:orderlit@onsemi.com)

**N. American Technical Support:** 800-282-9855 Toll Free  
USA/Canada  
**Europe, Middle East and Africa Technical Support:**  
Phone: 421 33 790 2910  
**Japan Customer Focus Center**  
Phone: 81-3-5817-1050

**ON Semiconductor Website:** [www.onsemi.com](http://www.onsemi.com)  
**Order Literature:** <http://www.onsemi.com/orderlit>  
For additional information, please contact your local  
Sales Representative