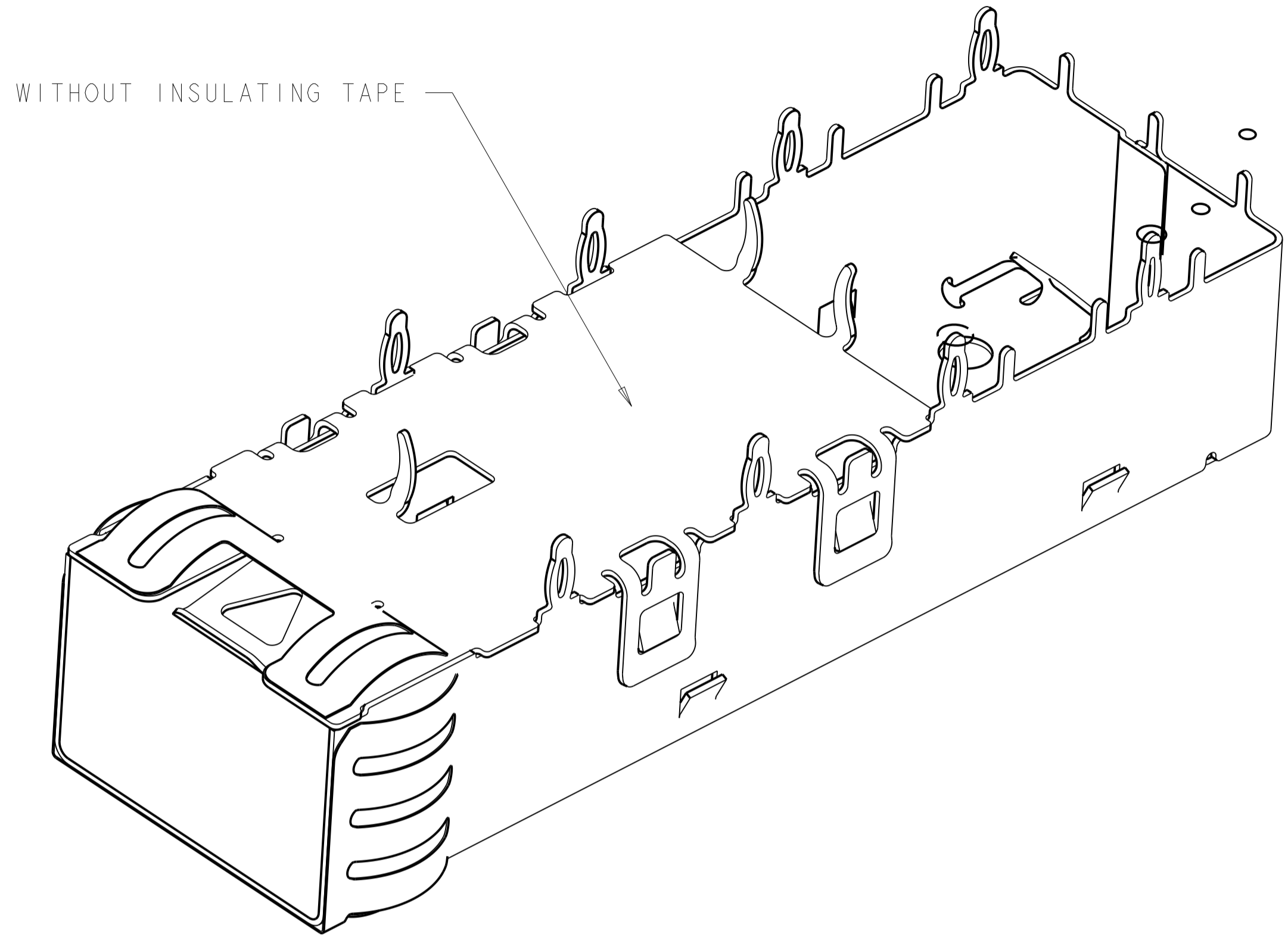
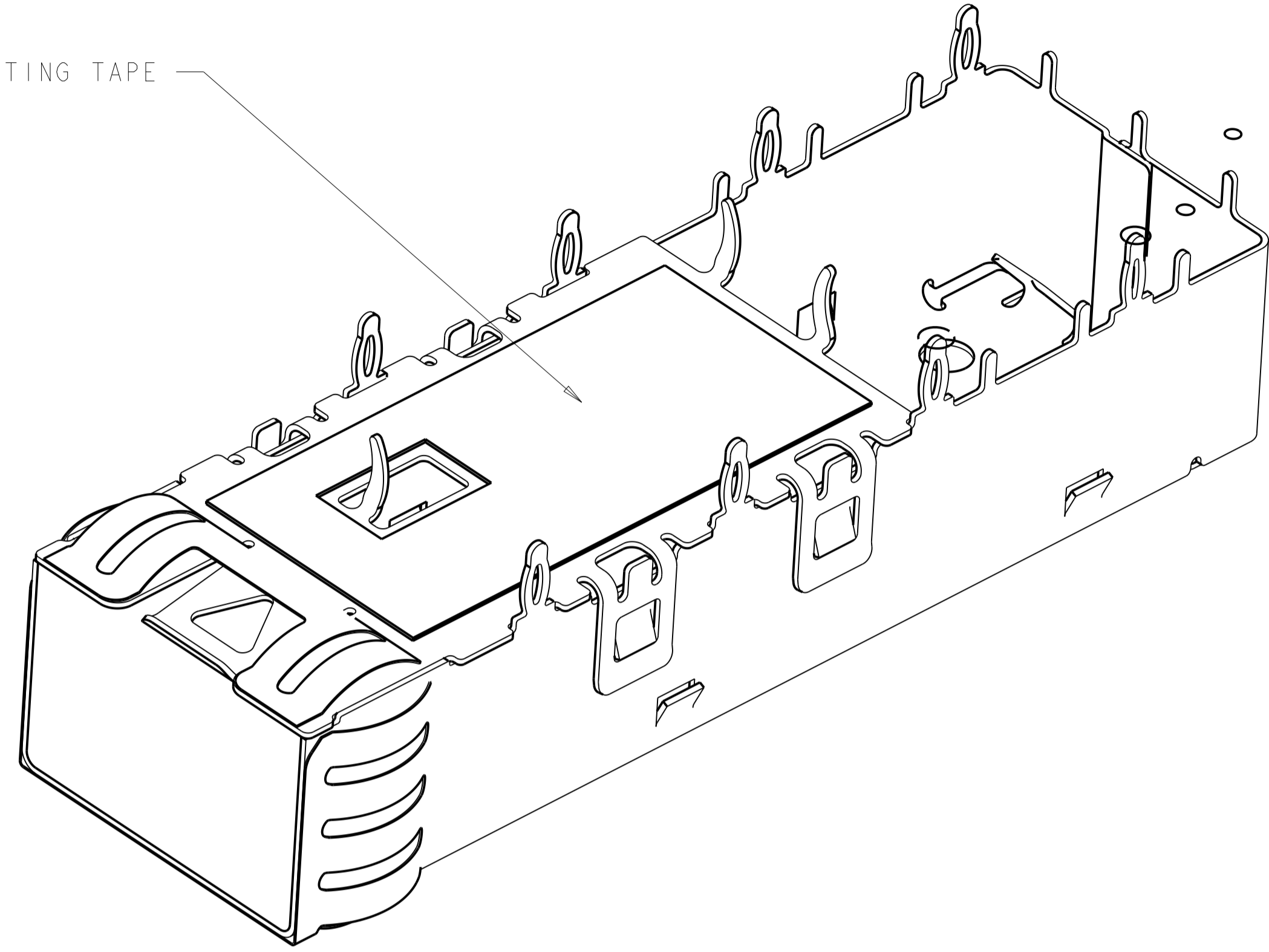


LOC		DIST		REVISIONS			
GP	00	P	LTN	DESCRIPTION	DATE	DMN	APVD
		-		SEE SHEET 1			

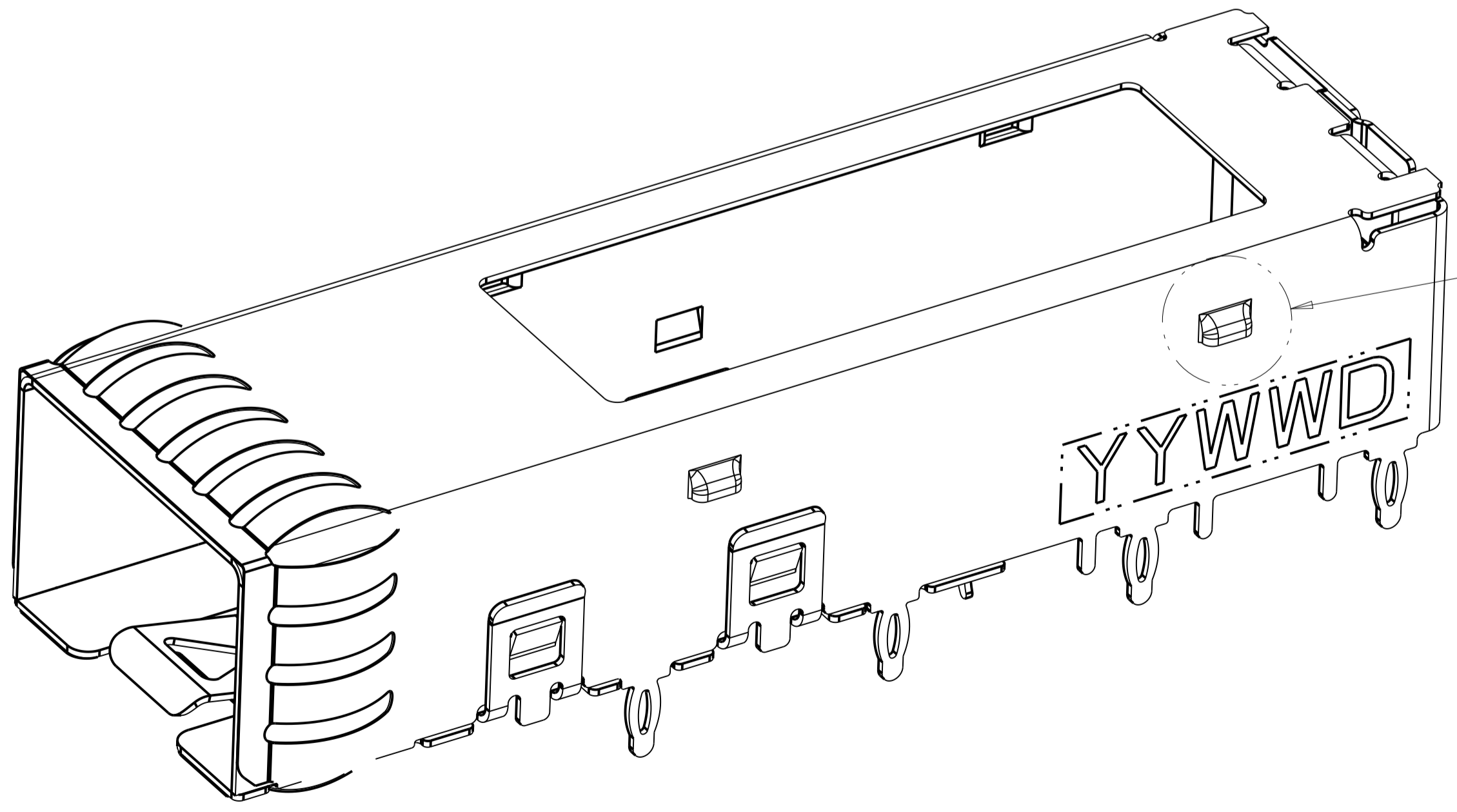


2007198-1,2,9 AS SHOWN WITHOUT INSULATING TAPE

WITH INSULATING TAPE

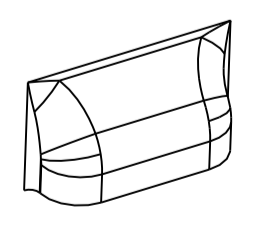


2007198-5 AS SHOWN WITH INSULATING TAPE

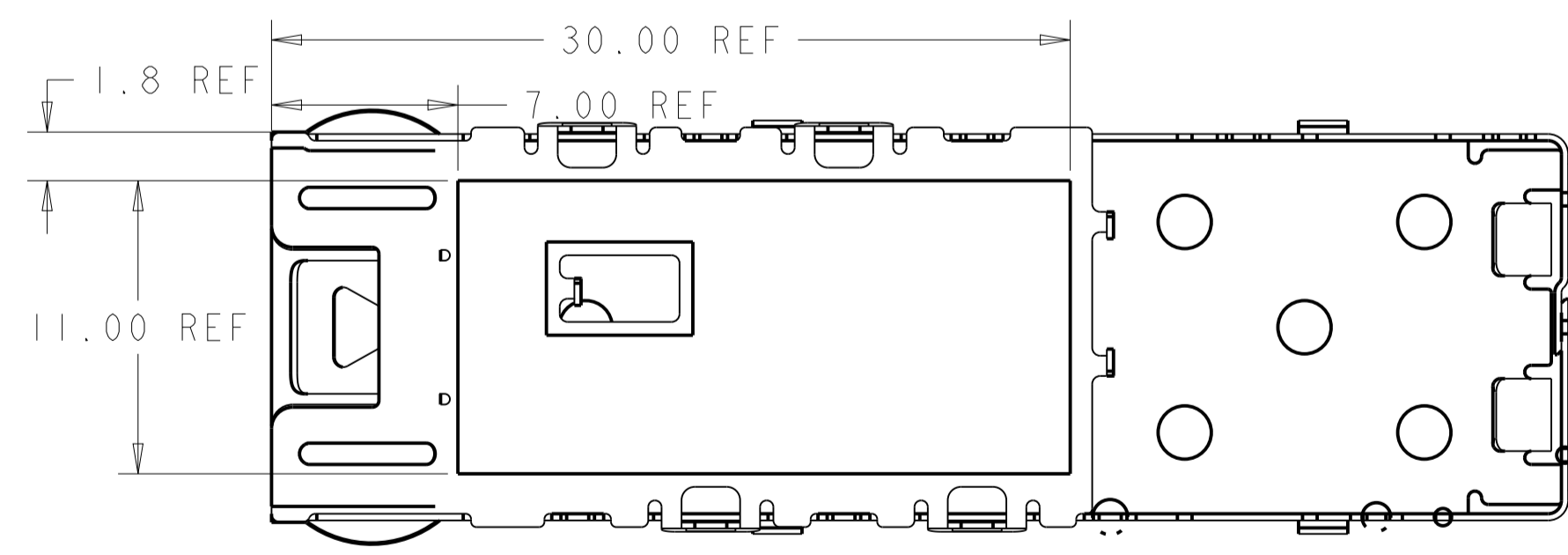


2007198-7
 SAME AS 2007198-2 EXCEPT AS SHOWN
 TOP VIEW

SEE DETAIL C



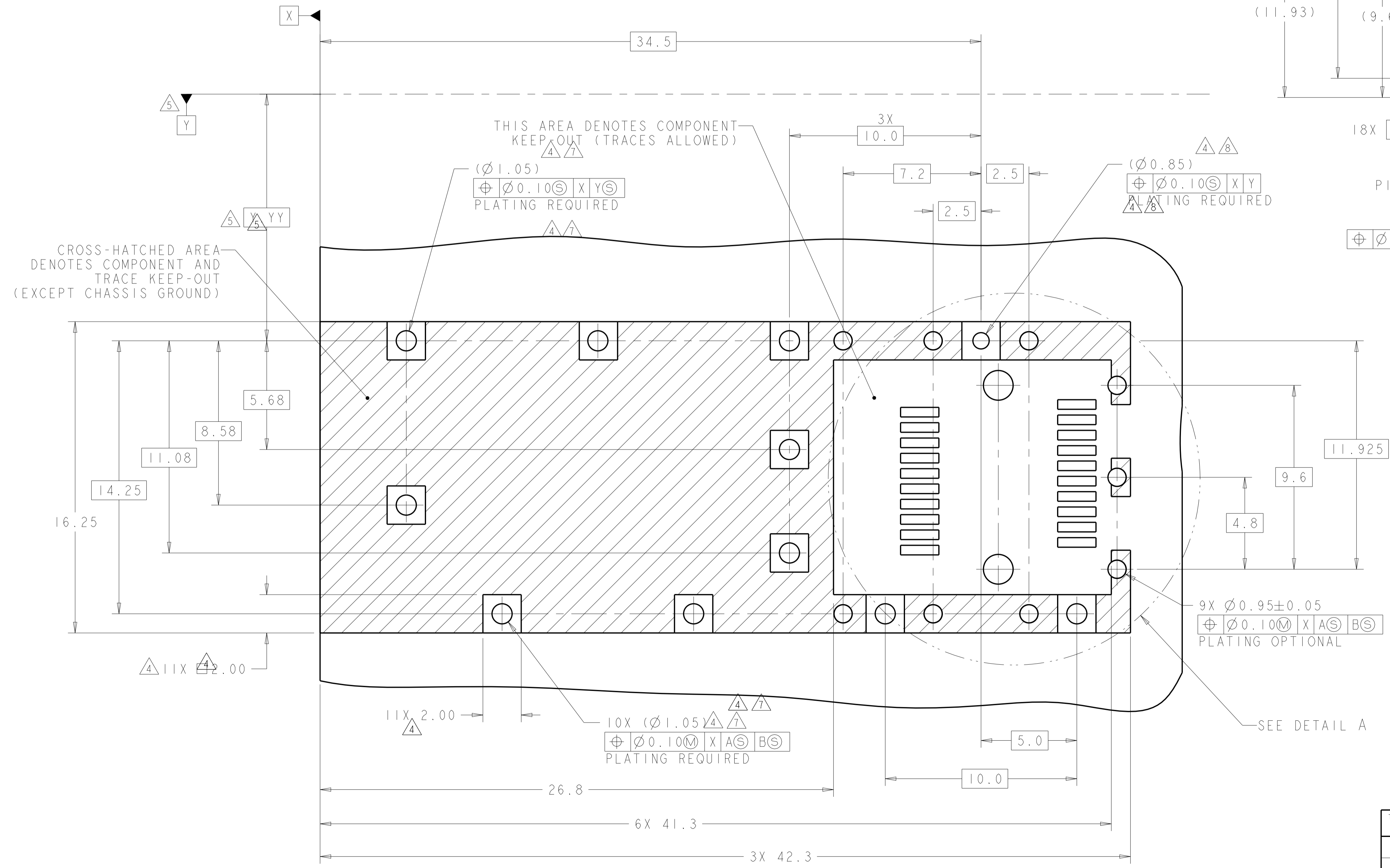
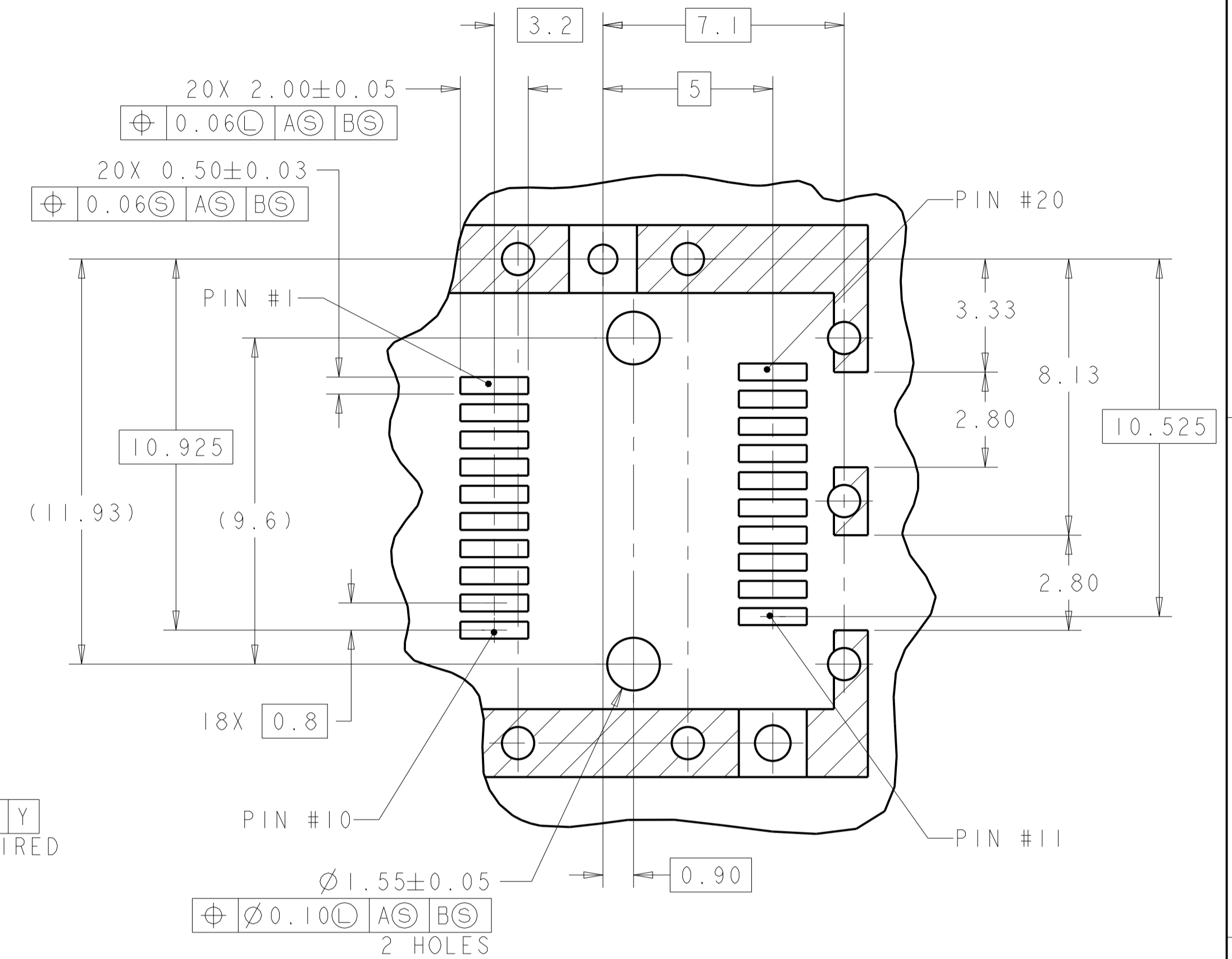
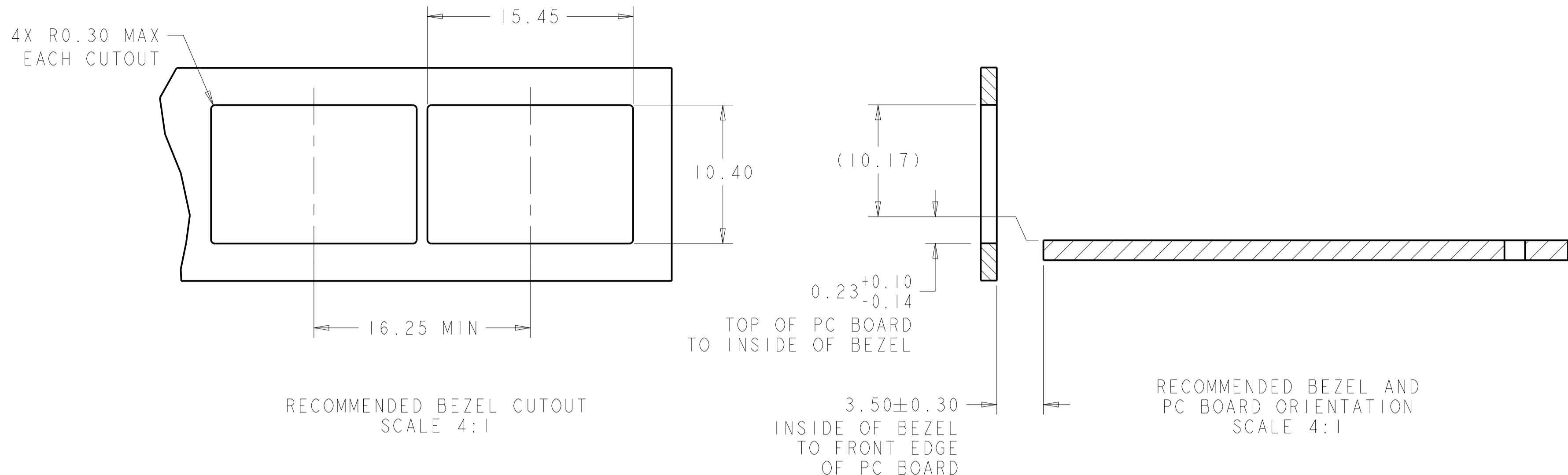
DETAIL C
 SCALE 15:1



SCALE 4:1
 2007198-5 AS SHOWN THE LOCATION OF THE TAPE

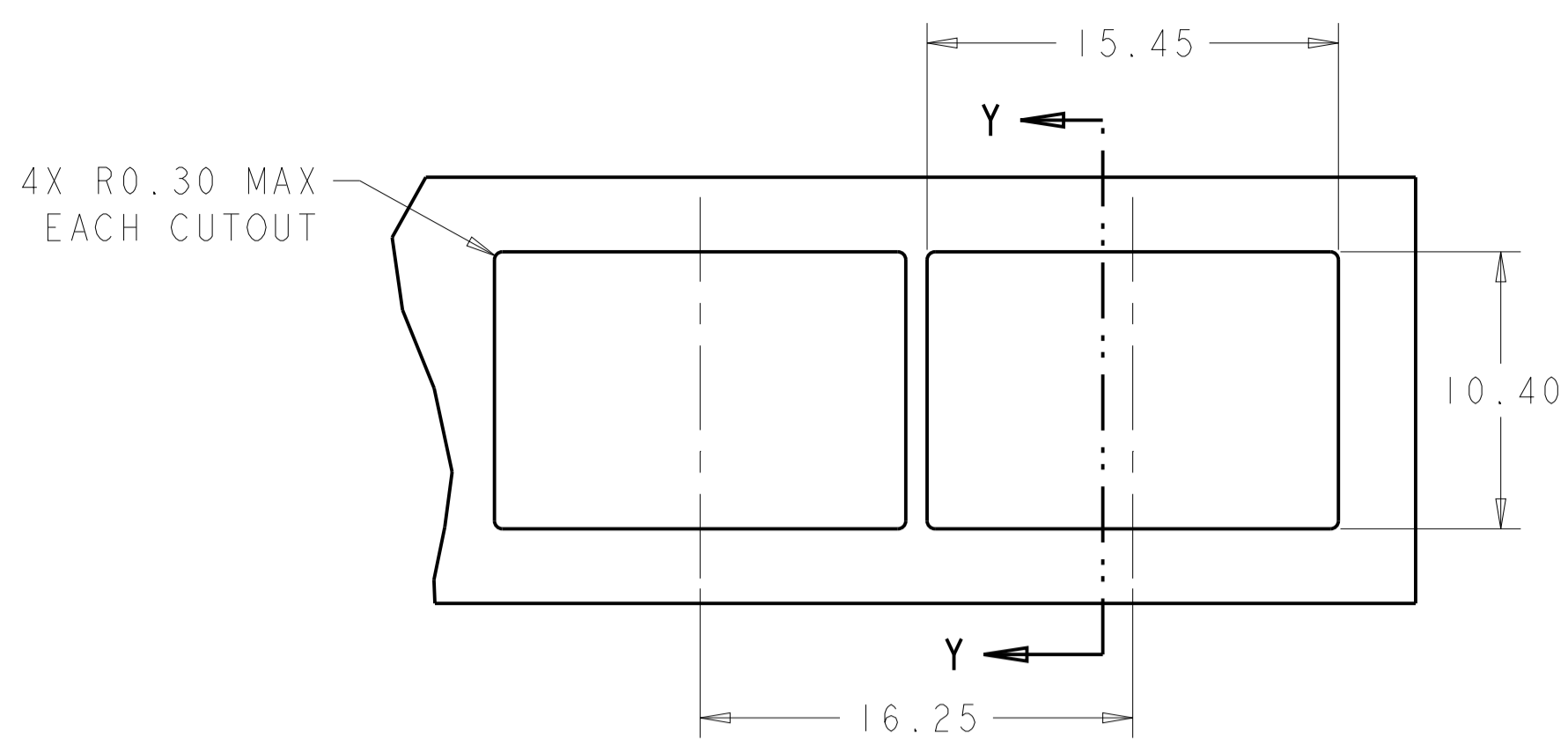
THIS DRAWING IS A CONTROLLED DOCUMENT.		DMN M. SCHMITT 07JUN07	STE TE Connectivity
DIMENSIONS: mm		CHK M. SCHMITT 07JUN07	
TOLERANCES UNLESS OTHERWISE SPECIFIED:		APVD B. WERTZ 07JUN07	NAME SFP+ IXI CAGE ASSEMBLY, PRESS-FIT PRESS-FIT, EMI SPRINGS
0 PLC ±0.1		PRODUCT SPEC	SIZE CAGE CODE DRAWING NO
2 PLC ±0.1		108-2364	A100779C=2007198
3 PLC ±0.1		APPLICATION SPEC	RESTRICTED TO
4 PLC ±0.05		114-13120	
ANGLES ±0.05		WEIGHT	
MATERIAL FINISH		Customer Drawing	SCALE 6:1 SHEET 2 OF 4 REV C.3

LOC	DIST	REV	DATE	BY	APPV
GP	00				

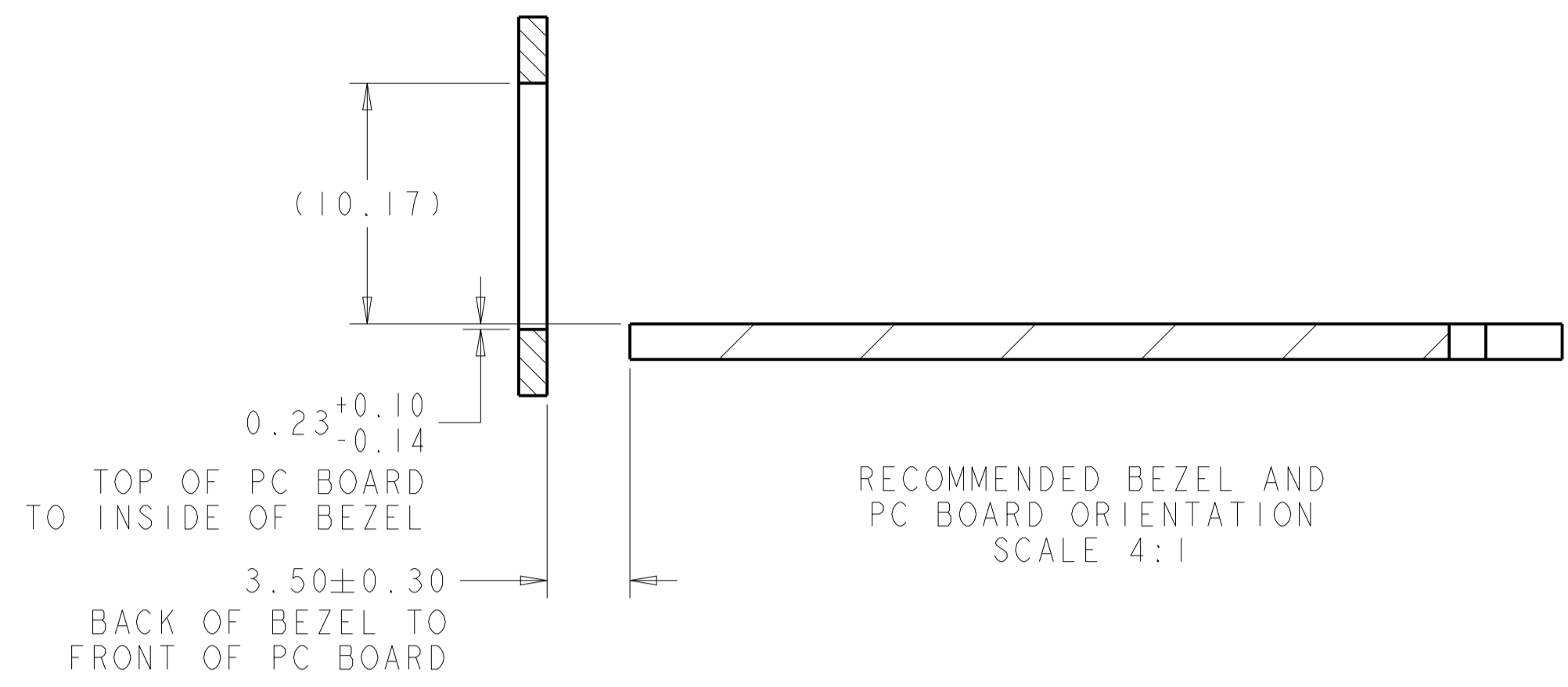


THIS DRAWING IS A CONTROLLED DOCUMENT.		OWN: M. SCHMITT 07JUN07	TE Connectivity
DIMENSIONS: mm		CHK: M. SCHMITT 07JUN07	
TOLERANCES UNLESS OTHERWISE SPECIFIED:		APV: B. WERTZ 07JUN07	NAME: SFP+ IXI CAGE ASSEMBLY, PRESS-FIT PRESS-FIT, EMI SPRINGS PRODUCT SPEC: 108-2364 APPLICATION SPEC: 114-13120 WEIGHT: - SCALE: 6:1 SHEET 3 OF 4 REV: C3
0 PLC ±0.1		RESTRICTED TO:	
1 PLC ±0.1		A100779C=2007198	
2 PLC ±0.1		Customer Drawing	
3 PLC ±0.05			
4 PLC ±0.05			
ANGLES ±0.05			

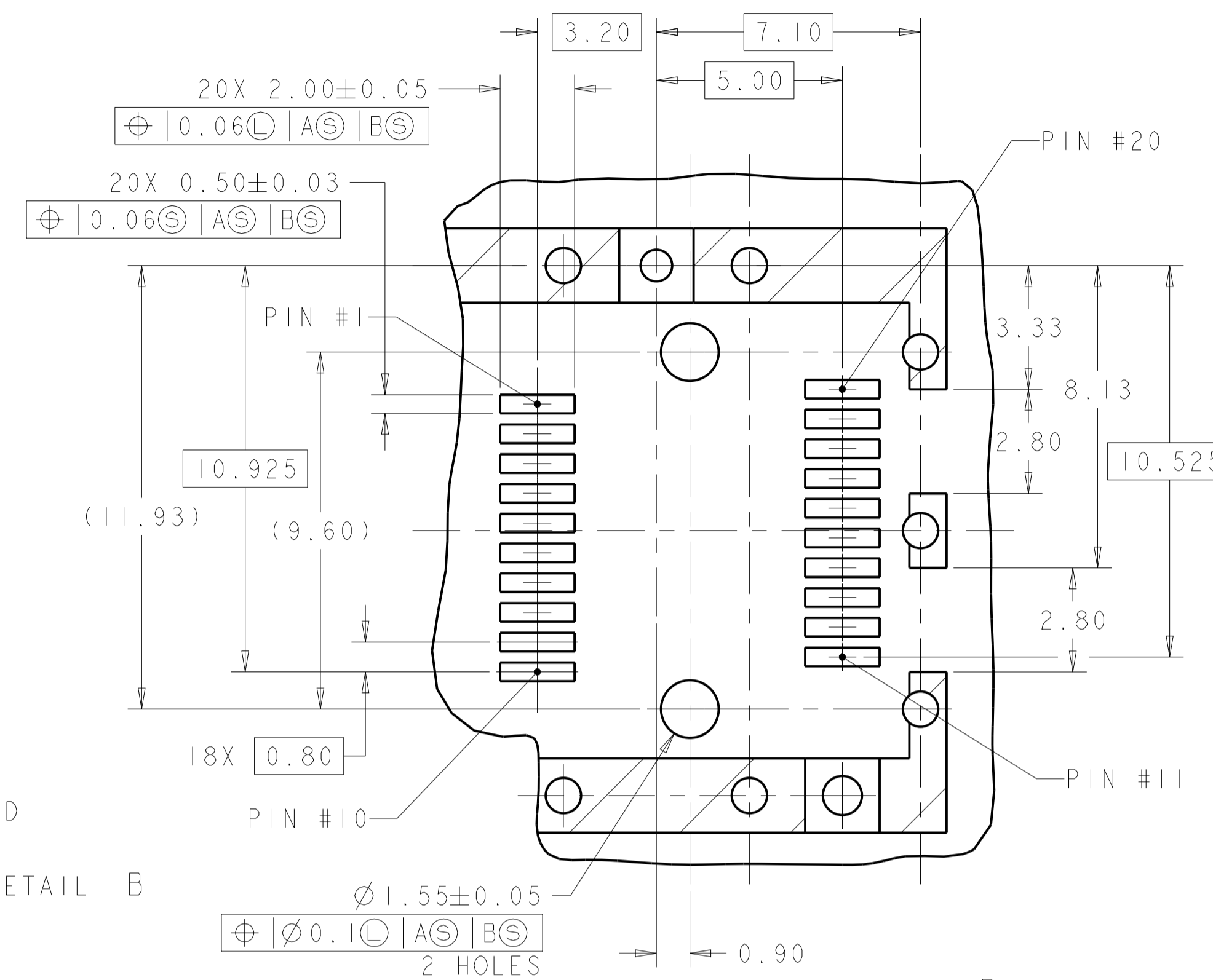
LOC	DIST	REV	DATE	APP'D	REVISED
GP	00				
		DESCRIPTION		DATE	DWN
		SEE SHEET 1			



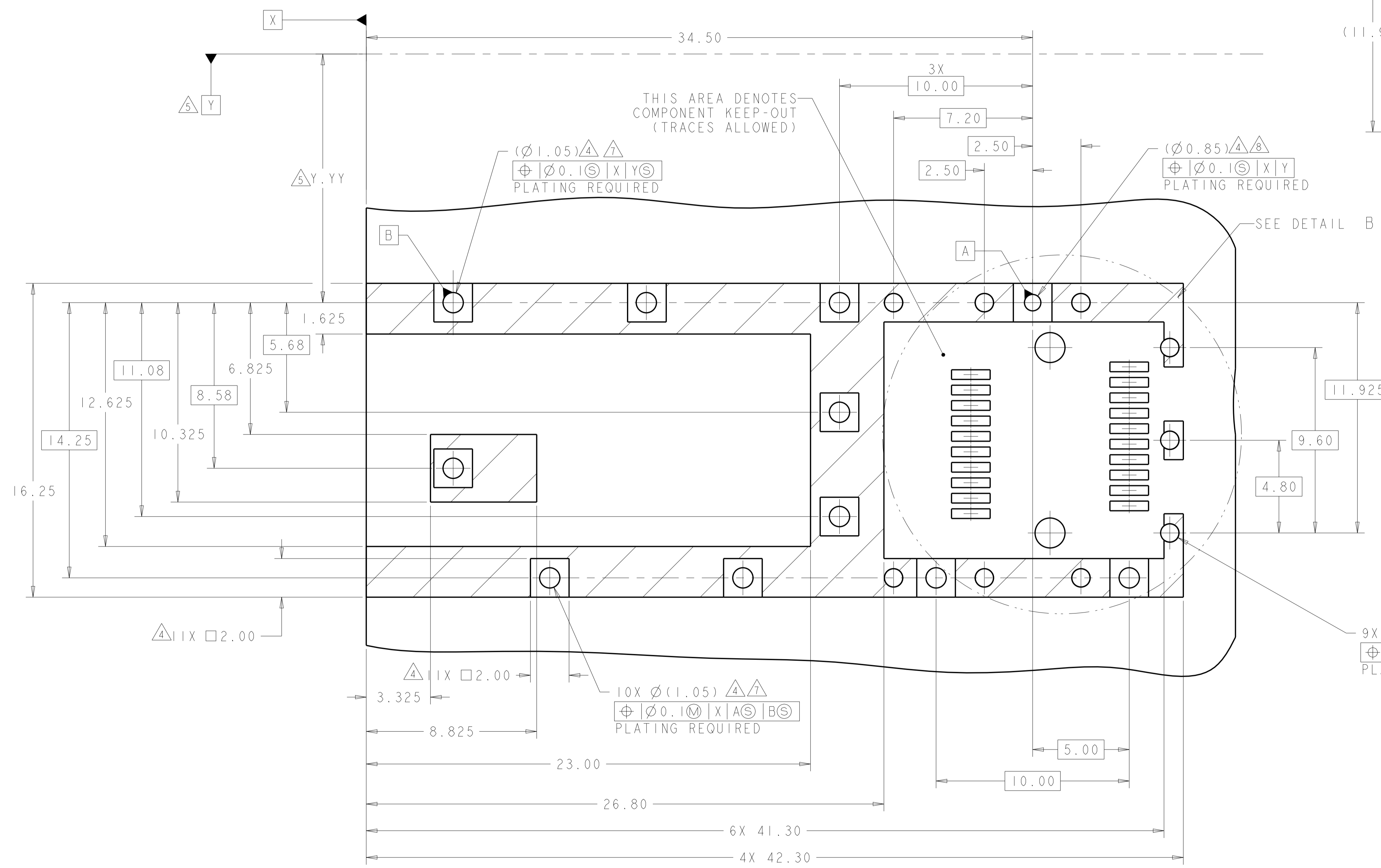
RECOMMENDED BEZEL CUTOUT
SCALE 4:1



RECOMMENDED BEZEL AND
PC BOARD ORIENTATION
SCALE 4:1



DETAIL B
SCALE 8:1



RECOMMENDED PCB LAYOUT FOR WITH
INSULATING TAPE PART
SCALE 8:1

THIS DRAWING IS A CONTROLLED DOCUMENT.		OWN M. SCHMITT 07JUN07	 TE Connectivity
DIMENSIONS: mm		CHK M. SCHMITT 07JUN07	
TOLERANCES UNLESS OTHERWISE SPECIFIED:		APP'D B. WERTZ 07JUN07	NAME SFP+ IXI CAGE ASSEMBLY, PRESS-FIT PRESS-FIT, EMI SPRINGS WITH HEATSINK
0 PLC ±0.1		PRODUCT SPEC	SIZE CAGE CODE DRAWING NO RESTRICTED TO
1 PLC ±0.1		108-2364	A100779C=2007198
2 PLC ±0.1		APPLICATION SPEC	SCALE 6:1 SHEET 4 OF 4 REV C3
3 PLC ±0.05		114-13120	
4 PLC ±0.05		WEIGHT	
ANGLES		Customer Drawing	