

Customer Information Sheet

DRAWING No.: S1731-XXR

SHEET 2 OF 2

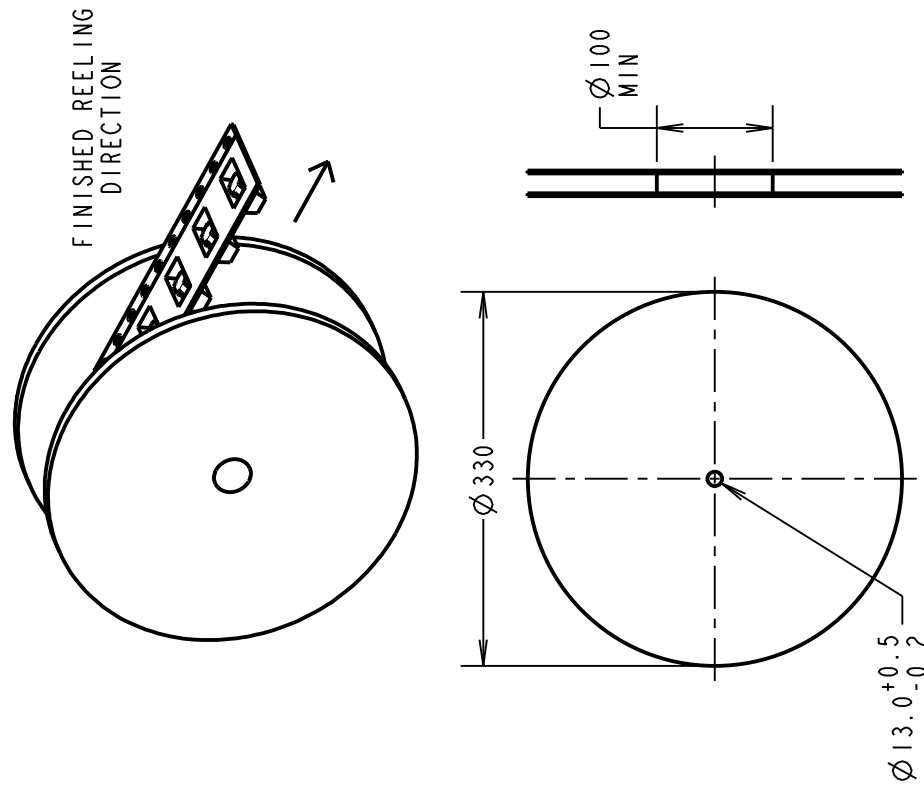
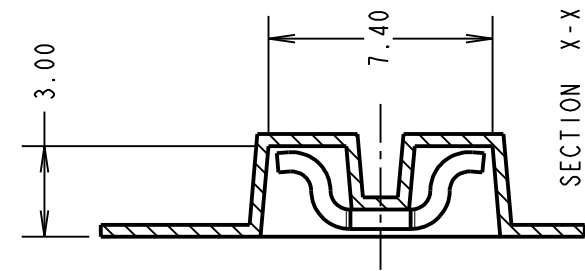
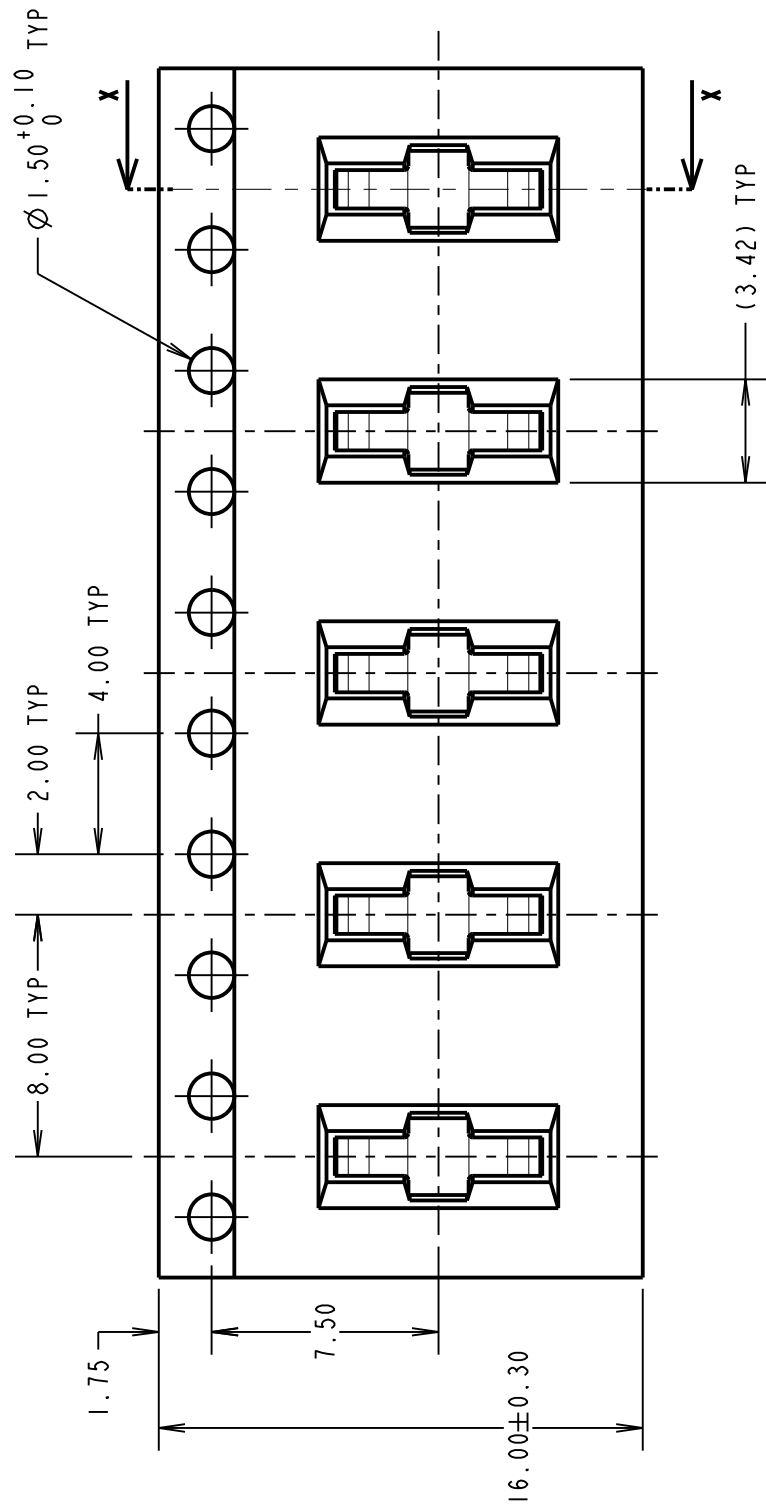
IF IN DOUBT - ASK

(C)

NOT TO SCALE

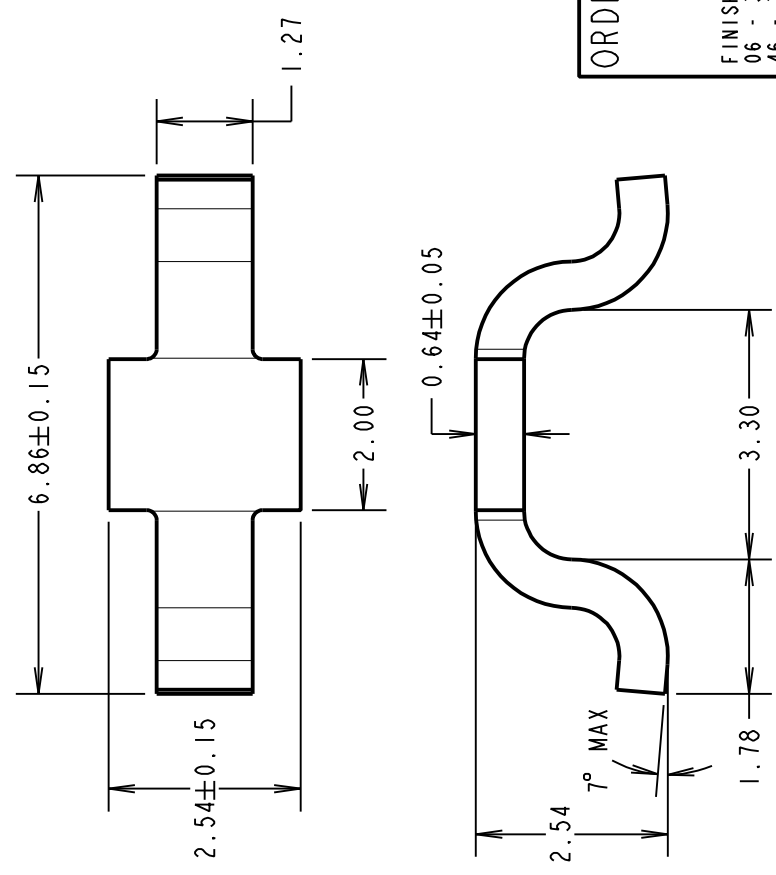
THIRD ANGLE PROJECTION

ALL DIMENSIONS IN mm

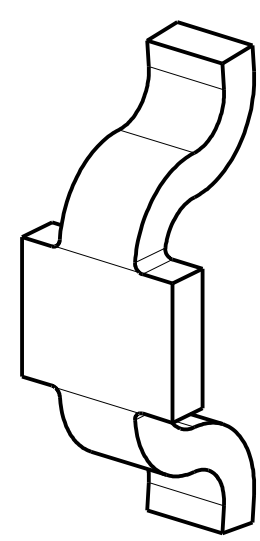
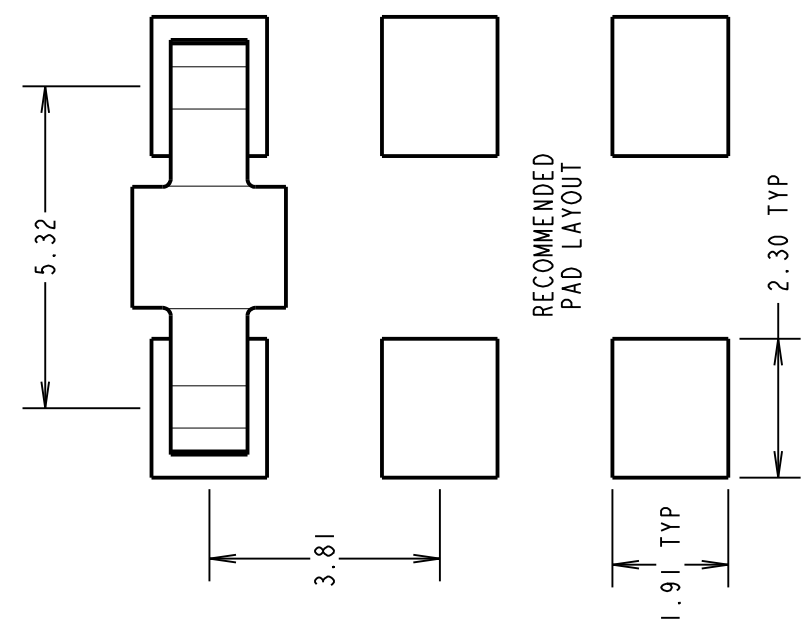


- NOTES:
1. QUANTITY PER REEL = 2,500.
 2. THIS PRODUCT IS TAPED AND REELED IN ACCORDANCE WITH EIA-481 (ELECTRONIC INDUSTRIES ASSOCIATION).
 3. FOR LOOSE PART, SEE DRAWING S1731-XX.

SINGLE COMPONENT DIMENSIONS

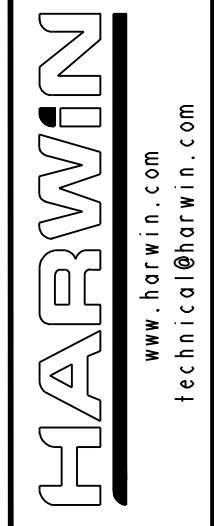


COMPONENT SPECIFICATION:
 MATERIAL = CW004A ETP COPPER
 FINISH:
 06 = 3µ 90/10 TIN/LEAD
 46 = 3µ 100% TIN OVER NICKEL
 ELECTRICAL:
 CURRENT RATING = 10A (30°C TEMP RISE)
 CONTACT RESISTANCE = 20mΩ MAX
 ENVIRONMENTAL:
 OPERATING TEMPERATURE = -40°C TO +125°C



ORDER CODE:
S1731-XX
 FINISH:
 06 - 3µ 90/10 TIN LEAD OVER NICKEL
 46 - 3µ 100% TIN OVER NICKEL

MSP	6	16.10.15	13113
NAME	ISS.	DATE	C/NOTE
APPROVED: M. PERREN			
CHECKED: S. BENNETT			
DRAWN: M. G. PLESTED			
CUSTOMER REF.:			
ASSEMBLY DRG:			



THIS DRAWING AND ANY INFORMATION OR DESCRIPTIVE MATTER SET OUT HEREON ARE CONFIDENTIAL AND COPYRIGHT PROPERTY OF THE HARWIN GROUP AND MUST NOT BE DISCLOSED, LOANED, COPIED OR USED FOR MANUFACTURING, TENDERING OR FOR ANY OTHER PURPOSE WITHOUT THEIR WRITTEN PERMISSION.

TOLERANCES
 X = ±1mm
 X.X = ±0.50mm
 X.XX = ±0.10mm
 X.XXX = ±0.01mm
 ANGLES = ±5°
 UNLESS STATED

MATERIAL:
 SEE ABOVE

FINISH:
 SEE ABOVE

TITLE:
 POWER SMT JUMPER LINK
 (TAPE AND REELED)

DRAWING NUMBER:
S1731-XXR
 SHT
 2 OF 2