

MCP102/103/121/131

1.0 ELECTRICAL CHARACTERISTICS

Absolute Maximum Ratings†

V_{DD}	7.0V
Input current (V_{DD})	10 mA
Output current (\overline{RST})	10 mA
Rated Rise Time of V_{DD}	100V/ μ s
All inputs and outputs (except \overline{RST}) w.r.t. V_{SS}	-0.6V to ($V_{DD} + 1.0V$)
\overline{RST} output w.r.t. V_{SS}	-0.6V to 13.5V
Storage temperature	-65°C to +150°C
Ambient temp. with power applied	-40°C to +125°C
Maximum Junction temp. with power applied	150°C
ESD protection on all pins	≥ 2 kV

† **Notice:** Stresses above those listed under “Maximum Ratings” may cause permanent damage to the device. This is a stress rating only and functional operation of the device at those or any other conditions above those indicated in the operational listings of this specification is not implied. Exposure to maximum rating conditions for extended periods may affect device reliability.

DC CHARACTERISTICS

Electrical Specifications: Unless otherwise indicated, all limits are specified for: $V_{DD} = 1V$ to 5.5V, $R_{PU} = 100$ k Ω (**MCP121** only), $T_A = -40^\circ\text{C}$ to $+125^\circ\text{C}$.

Parameters		Sym	Min	Typ	Max	Units	Conditions
Operating Voltage Range		V_{DD}	1.0	—	5.5	V	
Specified V_{DD} Value to \overline{RST} low		V_{DD}	1.0	—		V	$I_{\overline{RST}} = 10$ μ A, $V_{\overline{RST}} < 0.2V$
Operating Current	MCP102, MCP103, MCP121	I_{DD}	—	< 1	1.75	μ A	Reset Power-up Timer (t_{RPU}) Inactive
			—	—	20.0	μ A	Reset Power-up Timer (t_{RPU}) Active
	MCP131	I_{DD}	—	< 1	1.75	μ A	$V_{DD} > V_{TRIP}$ and Reset Power-up Timer (t_{RPU}) Inactive
			—	—	75	μ A	$V_{DD} < V_{TRIP}$ and Reset Power-up Timer (t_{RPU}) Inactive (Note 3)
			—	—	90	μ A	Reset Power-up Timer (t_{RPU}) Active (Note 4)
			—	—	90	μ A	Reset Power-up Timer (t_{RPU}) Active (Note 4)

- Note 1:** Trip point is $\pm 1.5\%$ from typical value.
Note 2: Trip point is $\pm 2.5\%$ from typical value.
Note 3: \overline{RST} output is forced low. There is a current through the internal pull-up resistor.
Note 4: This includes the current through the internal pull-up resistor and the reset power-up timer.
Note 5: This specification allows this device to be used in PICmicro[®] microcontroller applications that require In-Circuit Serial Programming™ (ICSP™) (see device-specific programming specifications for voltage requirements). This specification DOES NOT allow a continuous high voltage to be present on the open-drain output pin (V_{OUT}). The total time that the V_{OUT} pin can be above the maximum device operational voltage (5.5V) is 100s. Current into the V_{OUT} pin should be limited to 2 mA and it is recommended that the device operational temperature be maintained between 0°C to 70°C (+25°C preferred). For additional information, please refer to Figure 2-33.
Note 6: This parameter is established by characterization and not 100% tested.

MCP102/103/121/131

DC CHARACTERISTICS (CONTINUED)

Electrical Specifications: Unless otherwise indicated, all limits are specified for: $V_{DD} = 1V$ to $5.5V$, $R_{PU} = 100\text{ k}\Omega$ (MCP121 only), $T_A = -40^\circ\text{C}$ to $+125^\circ\text{C}$.

Parameters		Sym	Min	Typ	Max	Units	Conditions
V _{DD} Trip Point	MCP1XX-195	V _{TRIP}	1.872	1.900	1.929	V	T _A = +25°C (Note 1)
			1.853	1.900	1.948	V	T _A = -40°C to +85°C (Note 2)
	MCP1XX-240		2.285	2.320	2.355	V	T _A = +25°C (Note 1)
			2.262	2.320	2.378	V	Note 2
	MCP1XX-270		2.591	2.630	2.670	V	T _A = +25°C (Note 1)
			2.564	2.630	2.696	V	Note 2
	MCP1XX-300		2.886	2.930	2.974	V	T _A = +25°C (Note 1)
			2.857	2.930	3.003	V	Note 2
	MCP1XX-315		3.034	3.080	3.126	V	T _A = +25°C (Note 1)
			3.003	3.080	3.157	V	Note 2
	MCP1XX-450		4.314	4.380	4.446	V	T _A = +25°C (Note 1)
			4.271	4.380	4.490	V	Note 2
MCP1XX-475	4.561	4.630	4.700	V	T _A = +25°C (Note 1)		
	4.514	4.630	4.746	V	Note 2		
V _{DD} Trip Point Tempco		T _{TPCO}	—	±100	—	ppm/°C	
Threshold Hysteresis (min. = 1%, max = 6%)	MCP1XX-195	V _{HYS}	0.019	—	0.114	V	T _A = +25°C
	MCP1XX-240		0.023	—	0.139	V	
	MCP1XX-270		0.026	—	0.158	V	
	MCP1XX-300		0.029	—	0.176	V	
	MCP1XX-315		0.031	—	0.185	V	
	MCP1XX-450		0.044	—	0.263	V	
	MCP1XX-475		0.046	—	0.278	V	
RST Low-level Output Voltage		V _{OL}	—	—	0.4	V	I _{OL} = 500 μ A, V _{DD} = V _{TRIP(MIN)}
RST High-level Output Voltage (MCP102 and MCP103 only)		V _{OH}	V _{DD} - 0.6	—	—	V	I _{OH} = 1 mA, For MCP102/MCP103 only (push-pull output)
Internal Pull-up Resistor (MCP131 only)		R _{PU}	—	95	—	k Ω	V _{DD} = 5.5V
Open-drain High Voltage on Output (MCP121 only)		V _{ODH}	—	—	13.5 ⁽⁵⁾	V	V _{DD} = 3.0V, Time voltage > 5.5V applied \leq 100s, current into pin limited to 2 mA, 25°C operation recommended (Note 5, Note 6)
Open-drain Output Leakage Current (MCP121 only)		I _{OD}	—	0.1	—	μ A	

- Note 1:** Trip point is $\pm 1.5\%$ from typical value.
- Note 2:** Trip point is $\pm 2.5\%$ from typical value.
- Note 3:** RST output is forced low. There is a current through the internal pull-up resistor.
- Note 4:** This includes the current through the internal pull-up resistor and the reset power-up timer.
- Note 5:** This specification allows this device to be used in PICmicro[®] microcontroller applications that require In-Circuit Serial Programming[™] (ICSP[™]) (see device-specific programming specifications for voltage requirements). This specification DOES NOT allow a continuous high voltage to be present on the open-drain output pin (V_{OUT}). The total time that the V_{OUT} pin can be above the maximum device operational voltage (5.5V) is 100s. Current into the V_{OUT} pin should be limited to 2 mA and it is recommended that the device operational temperature be maintained between 0°C to 70°C (+25°C preferred). For additional information, please refer to Figure 2-33.
- Note 6:** This parameter is established by characterization and not 100% tested.

MCP102/103/121/131

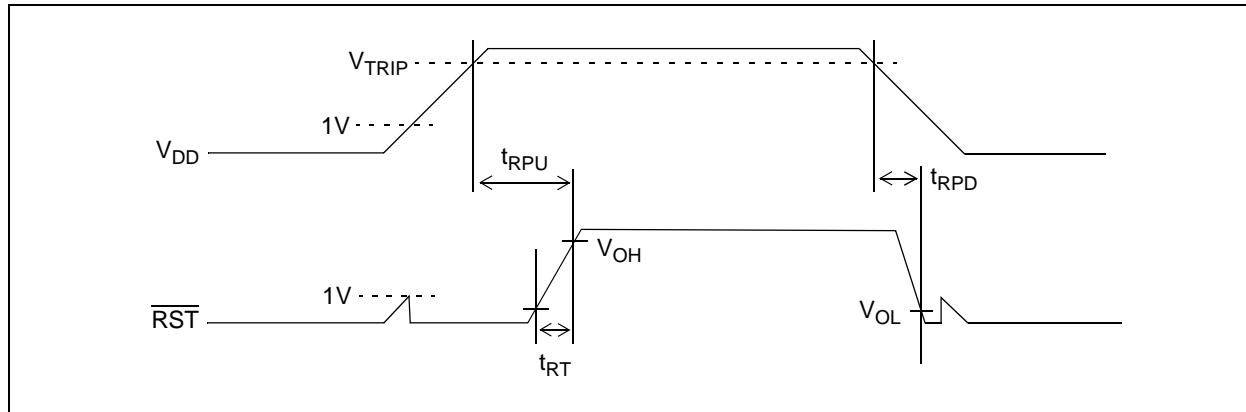


FIGURE 1-1: Timing Diagram.

AC CHARACTERISTICS

Electrical Specifications: Unless otherwise indicated, all limits are specified for: $V_{DD} = 1V$ to $5.5V$, $R_{PU} = 100\text{ k}\Omega$ (MCP121 only), $T_A = -40^\circ\text{C}$ to $+125^\circ\text{C}$.

Parameters	Sym	Min	Typ	Max	Units	Conditions
V_{DD} Detect to \overline{RST} Inactive	t_{RPU}	80	120	180	ms	Figure 1-1 and $C_L = 50\text{ pF}$
V_{DD} Detect to \overline{RST} Active	t_{RPD}	—	130	—	μs	V_{DD} ramped from $V_{TRIP(MAX)} + 250\text{ mV}$ down to $V_{TRIP(MIN)} - 250\text{ mV}$, per Figure 1-1, $C_L = 50\text{ pF}$ (Note 1)
\overline{RST} Rise Time After \overline{RST} Active (MCP102 and MCP103 only)	t_{RT}	—	5	—	μs	For \overline{RST} 10% to 90% of final value per Figure 1-1, $C_L = 50\text{ pF}$ (Note 1)

Note 1: These parameters are for design guidance only and are not 100% tested.

TEMPERATURE CHARACTERISTICS

Electrical Specifications: Unless otherwise noted, all limits are specified for: $V_{DD} = 1V$ to $5.5V$, $R_{PU} = 100\text{ k}\Omega$ (MCP121 only), $T_A = -40^\circ\text{C}$ to $+125^\circ\text{C}$.

Parameters	Sym	Min	Typ	Max	Units	Conditions
Temperature Ranges						
Specified Temperature Range	T_A	-40	—	+85	$^\circ\text{C}$	MCP1XX-195
Specified Temperature Range	T_A	-40	—	+125	$^\circ\text{C}$	Except MCP1XX-195
Maximum Junction Temperature	T_J	—	—	+150	$^\circ\text{C}$	
Storage Temperature Range	T_A	-65	—	+150	$^\circ\text{C}$	
Package Thermal Resistances						
Thermal Resistance, 3L-SOT23	θ_{JA}	—	336	—	$^\circ\text{C}/\text{W}$	
Thermal Resistance, 3L-SC-70	θ_{JA}	—	340	—	$^\circ\text{C}/\text{W}$	
Thermal Resistance, 3L-TO-92	θ_{JA}	—	131.9	—	$^\circ\text{C}/\text{W}$	

2.0 TYPICAL PERFORMANCE CURVES

Note: The graphs and tables provided following this note are a statistical summary based on a limited number of samples and are provided for informational purposes only. The performance characteristics listed herein are not tested or guaranteed. In some graphs or tables, the data presented may be outside the specified operating range (e.g., outside specified power supply range) and therefore outside the warranted range.

Note: Unless otherwise indicated, all limits are specified for: $V_{DD} = 1V$ to $5.5V$, $R_{PU} = 100\text{ k}\Omega$ (MCP121 only); see Figure 4-1), $T_A = -40^\circ\text{C}$ to $+125^\circ\text{C}$.

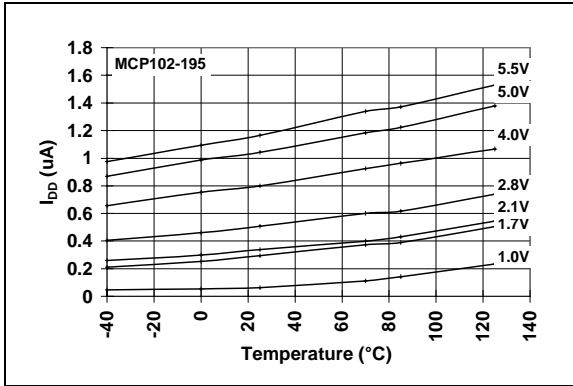


FIGURE 2-1: I_{DD} vs. Temperature (Reset Power-up Timer Inactive) (MCP102-195).

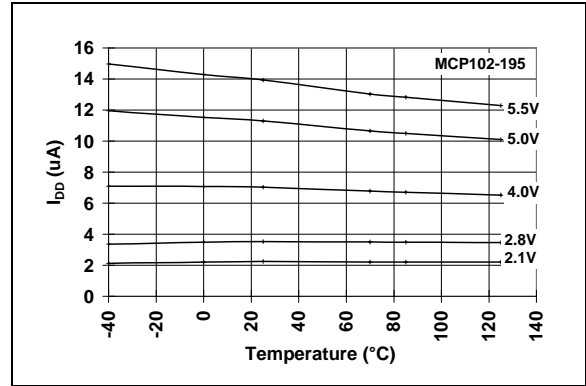


FIGURE 2-4: I_{DD} vs. Temperature (Reset Power-up Timer Active) (MCP102-195).

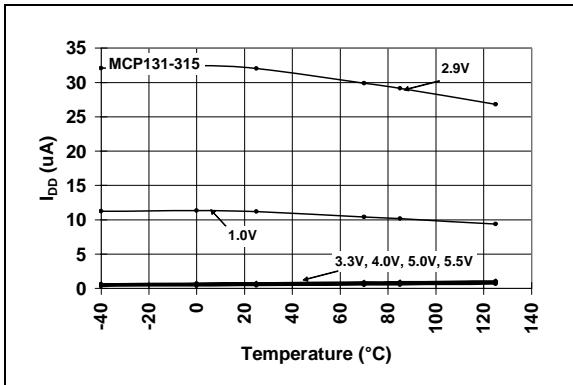


FIGURE 2-2: I_{DD} vs. Temperature (Reset Power-up Timer Inactive) (MCP131-315).

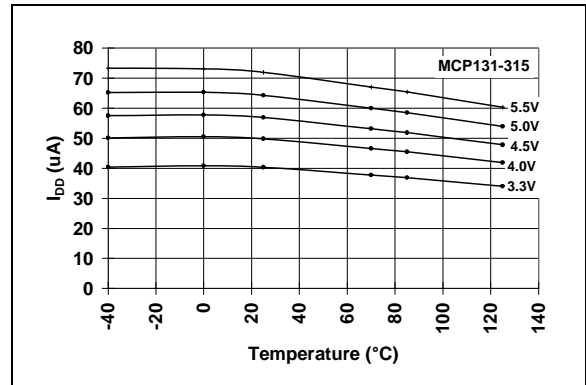


FIGURE 2-5: I_{DD} vs. Temperature (Reset Power-up Timer Active) (MCP131-315).

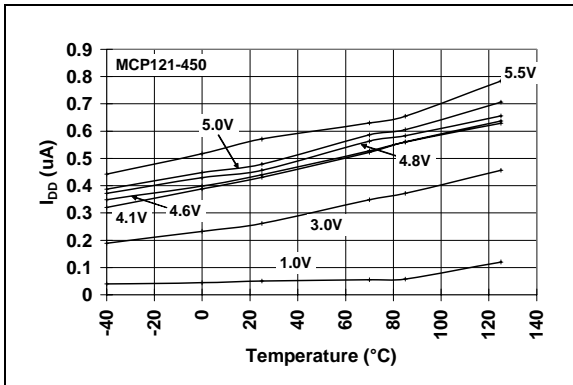


FIGURE 2-3: I_{DD} vs. Temperature (Reset Power-up Timer Inactive) (MCP121-450).

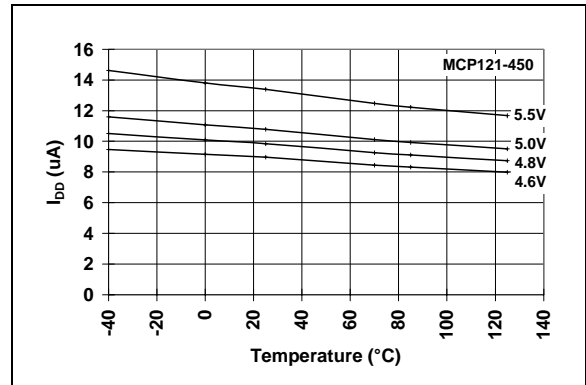


FIGURE 2-6: I_{DD} vs. Temperature (Reset Power-up Timer Active) (MCP121-450).

MCP102/103/121/131

Note: Unless otherwise indicated, all limits are specified for: $V_{DD} = 1V$ to $5.5V$, $R_{PU} = 100\text{ k}\Omega$ (MCP121 only; see Figure 4-1), $T_A = -40^\circ\text{C}$ to $+125^\circ\text{C}$.

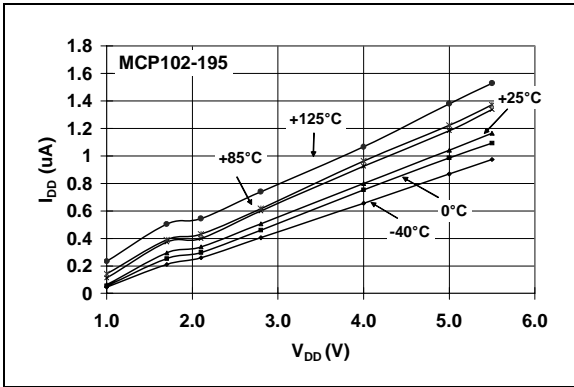


FIGURE 2-7: I_{DD} vs. V_{DD}
(Reset Power-up Timer Inactive) (MCP102-195).

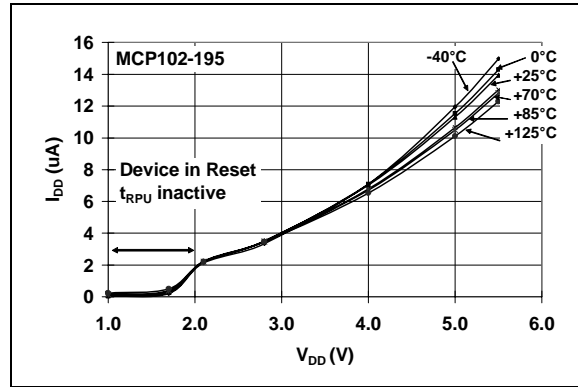


FIGURE 2-10: I_{DD} vs. V_{DD}
(Reset Power-up Timer Active) (MCP102-195).

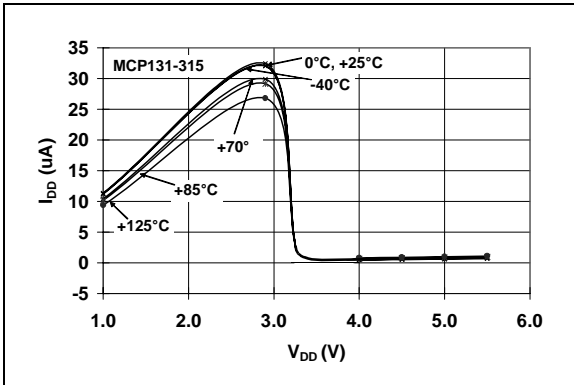


FIGURE 2-8: I_{DD} vs. V_{DD}
(Reset Power-up Timer Inactive) (MCP131-315).

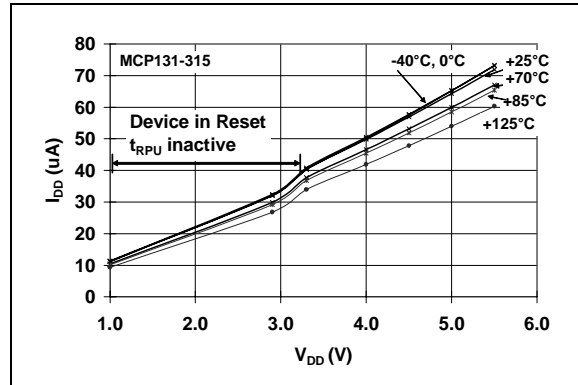


FIGURE 2-11: I_{DD} vs. V_{DD}
(Reset Power-up Timer Active) (MCP131-315).

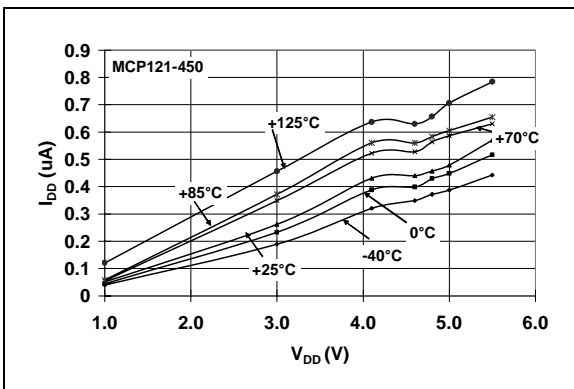


FIGURE 2-9: I_{DD} vs. V_{DD}
(Reset Power-up Timer Inactive) (MCP121-450).

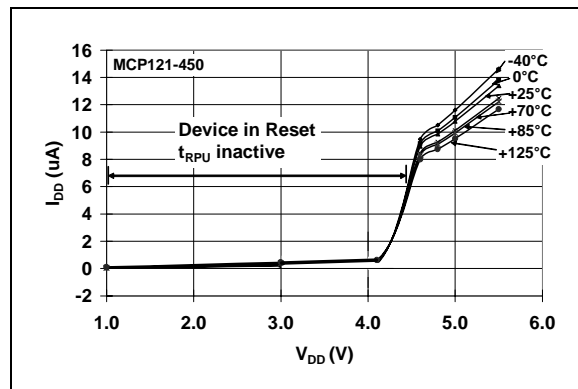


FIGURE 2-12: I_{DD} vs. V_{DD}
(Reset Power-up Timer Active) (MCP121-450).

MCP102/103/121/131

Note: Unless otherwise indicated, all limits are specified for: $V_{DD} = 1V$ to $5.5V$, $R_{PU} = 100\text{ k}\Omega$ (MCP121; see Figure 4-1), $T_A = -40^\circ\text{C}$ to $+125^\circ\text{C}$.

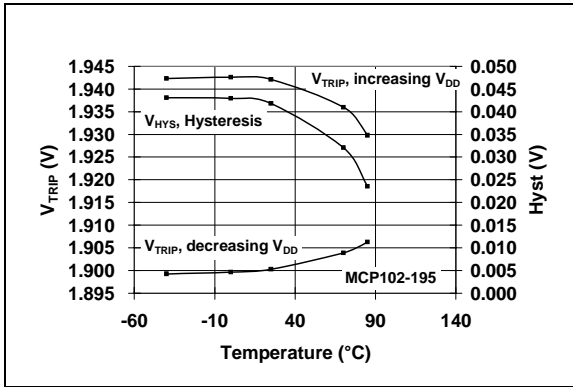


FIGURE 2-13: V_{TRIP} vs. Temperature vs. Hysteresis (MCP102-195).

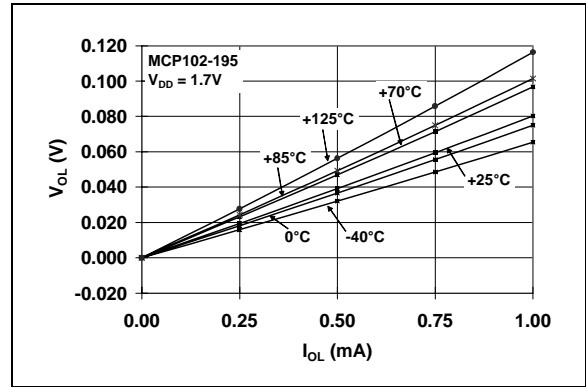


FIGURE 2-16: V_{OL} vs. I_{OL} (MCP102-195 @ $V_{DD} = 1.7V$).

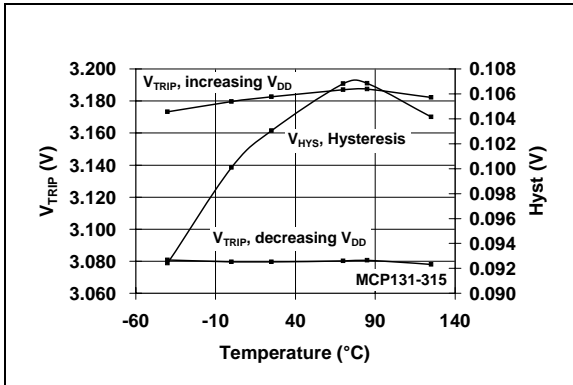


FIGURE 2-14: V_{TRIP} vs. Temperature vs. Hysteresis (MCP131-315).

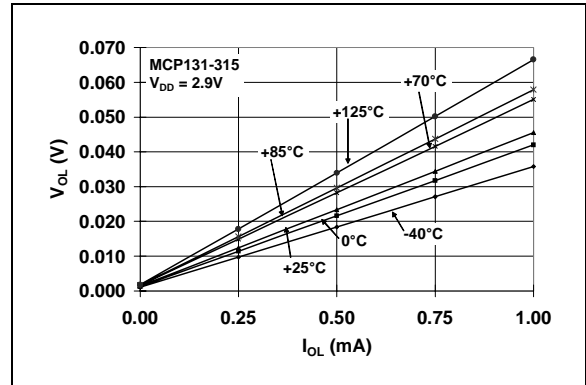


FIGURE 2-17: V_{OL} vs. I_{OL} (MCP131-315 @ $V_{DD} = 2.9V$).

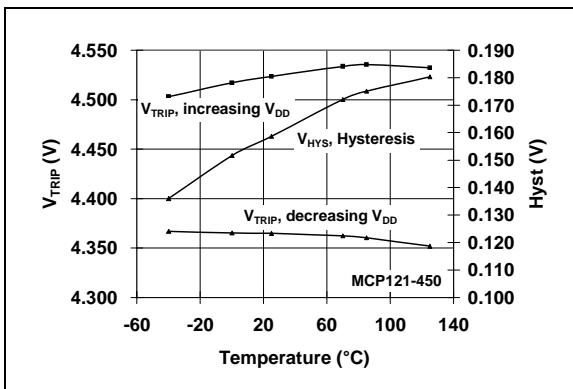


FIGURE 2-15: V_{TRIP} vs. Temperature vs. Hysteresis (MCP121-450).

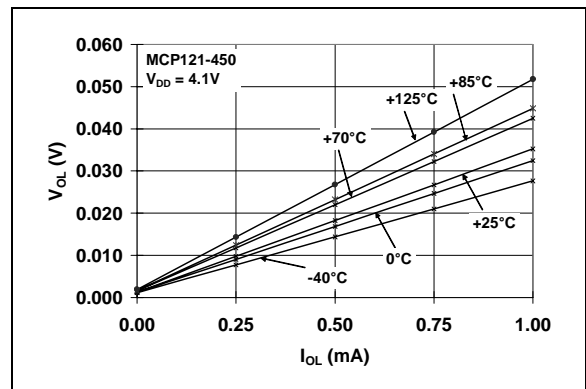


FIGURE 2-18: V_{OL} vs. I_{OL} (MCP121-450 @ $V_{DD} = 4.1V$).

MCP102/103/121/131

Note: Unless otherwise indicated, all limits are specified for: $V_{DD} = 1V$ to $5.5V$, $R_{PU} = 100\text{ k}\Omega$ (MCP121 only; see Figure 4-1), $T_A = -40^\circ\text{C}$ to $+125^\circ\text{C}$.

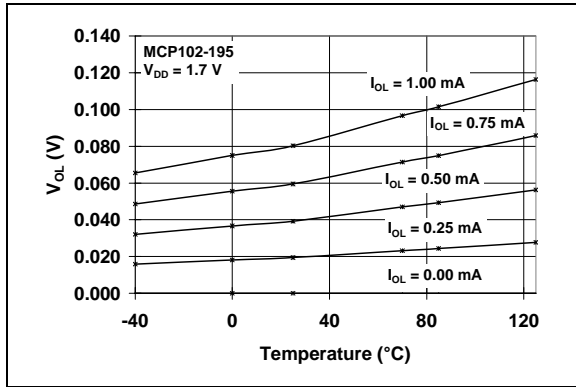


FIGURE 2-19: V_{OL} vs. Temperature (MCP102-195 @ $V_{DD} = 1.7V$).

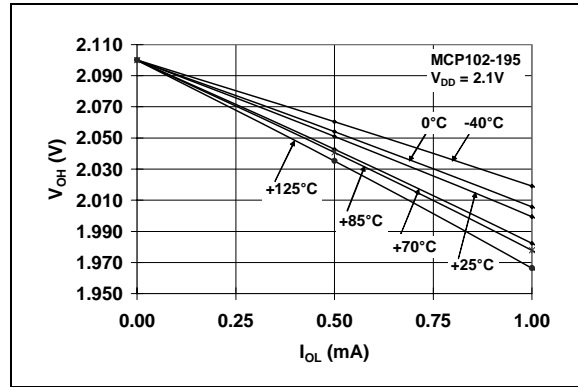


FIGURE 2-22: V_{OH} vs. I_{OL} (MCP102-195 @ $V_{DD} = 2.1V$).

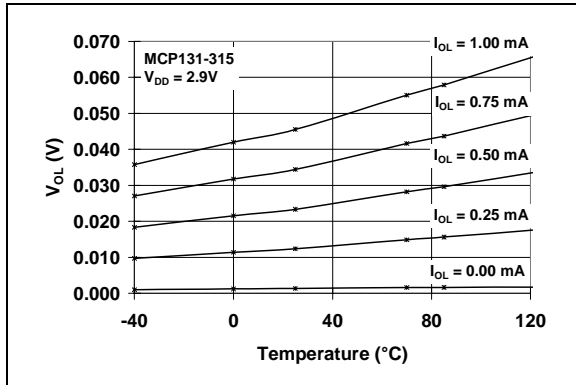


FIGURE 2-20: V_{OL} vs. Temperature (MCP131-315 @ $V_{DD} = 2.9V$).

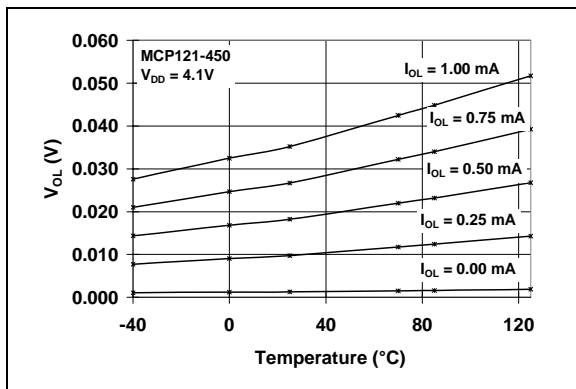


FIGURE 2-21: V_{OL} vs. Temperature (MCP121-450 @ $V_{DD} = 4.1V$).

MCP102/103/121/131

Note: Unless otherwise indicated, all limits are specified for: $V_{DD} = 1V$ to $5.5V$, $R_{PU} = 100\text{ k}\Omega$ (MCP121 only; see Figure 4-1), $T_A = -40^\circ\text{C}$ to $+125^\circ\text{C}$.

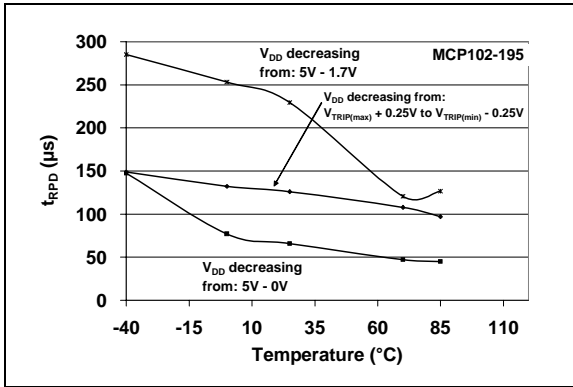


FIGURE 2-23: t_{RPD} vs. Temperature (MCP102-195).

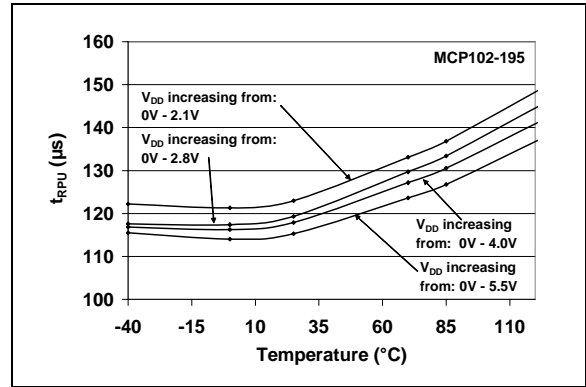


FIGURE 2-26: t_{RPU} vs. Temperature (MCP102-195).

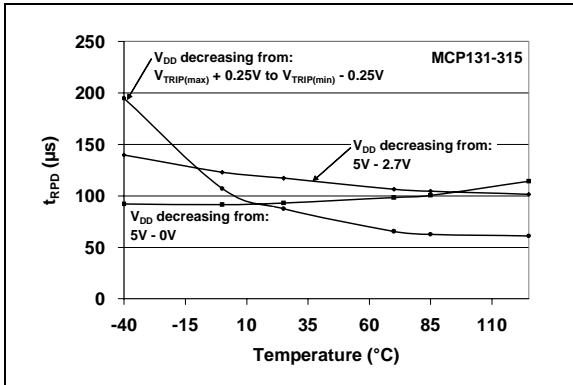


FIGURE 2-24: t_{RPD} vs. Temperature (MCP131-315).

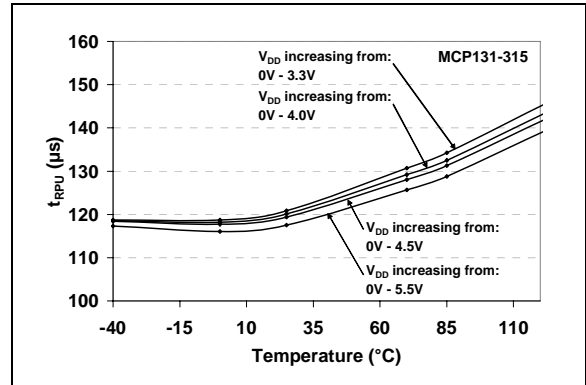


FIGURE 2-27: t_{RPU} vs. Temperature (MCP131-315).

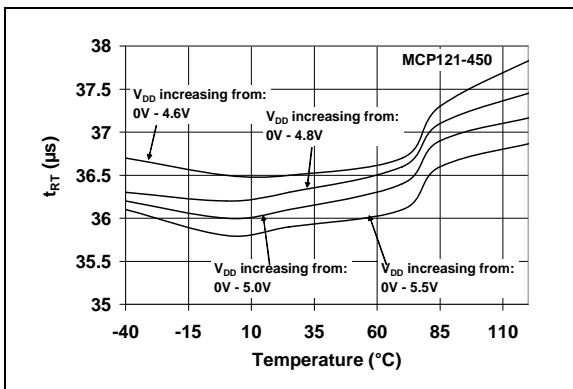


FIGURE 2-25: t_{RPD} vs. Temperature (MCP121-450).

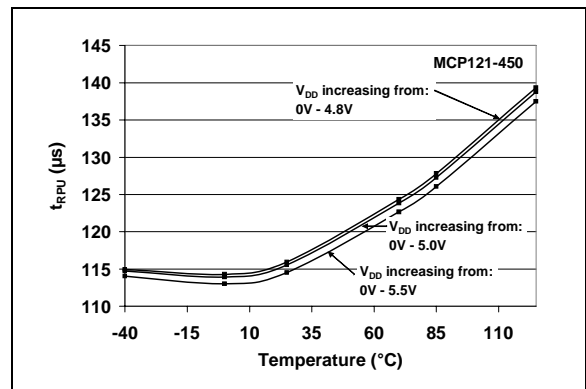


FIGURE 2-28: t_{RPU} vs. Temperature (MCP121-450).

MCP102/103/121/131

Note: Unless otherwise indicated, all limits are specified for: $V_{DD} = 1V$ to $5.5V$, $R_{PU} = 100\text{ k}\Omega$ (MCP121 only; see Figure 4-1), $T_A = -40^\circ\text{C}$ to $+125^\circ\text{C}$.

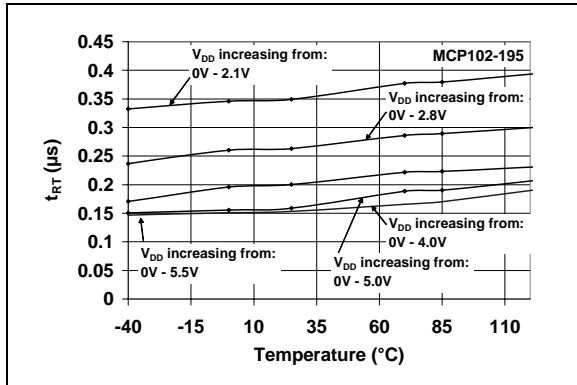


FIGURE 2-29: t_{RT} vs. Temperature (MCP102-195).

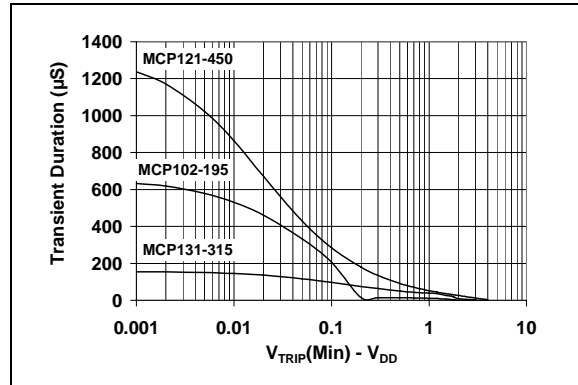


FIGURE 2-32: Transient Duration vs. $V_{TRIP(\text{min})} - V_{DD}$.

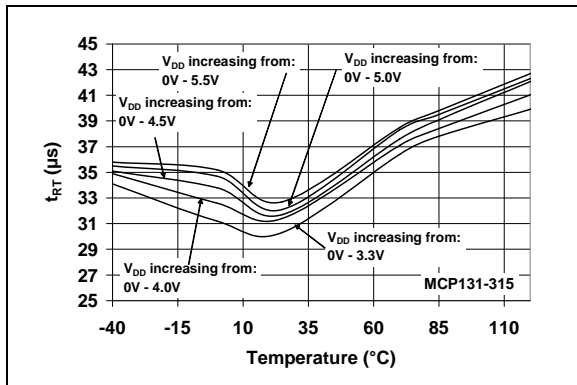


FIGURE 2-30: t_{RT} vs. Temperature (MCP131-315).

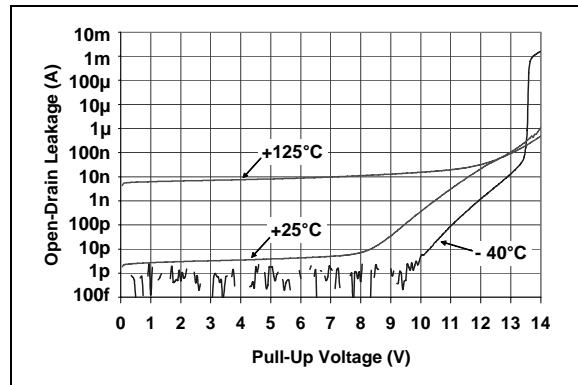


FIGURE 2-33: Open-Drain Leakage Current vs. Voltage Applied to V_{OUT} Pin (MCP121-195).

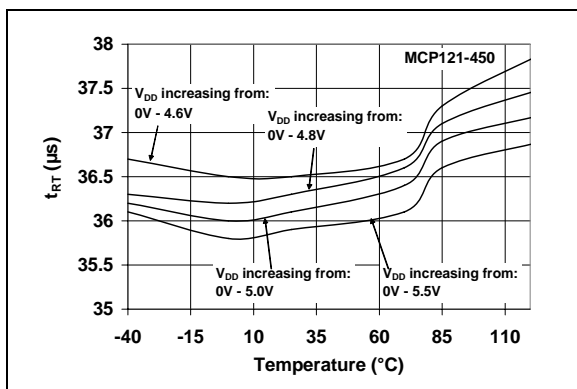


FIGURE 2-31: t_{RT} vs. Temperature (MCP121-450).

3.0 PIN DESCRIPTION

The descriptions of the pins are listed in Table 3-1.

TABLE 3-1: PIN FUNCTION TABLE

Pin No.		Symbol	Function
MCP102 MCP121 MCP131	MCP103		
1	1	$\overline{\text{RST}}$	Output State V_{DD} Falling: $H = V_{DD} > V_{TRIP}$ $L = V_{DD} < V_{TRIP}$ V_{DD} Rising: $H = V_{DD} > V_{TRIP} + V_{HYS}$ $L = V_{DD} < V_{TRIP} + V_{HYS}$
2	3	V _{DD}	Positive power supply
3	2	V _{SS}	Ground reference

MCP102/103/121/131

4.0 APPLICATION INFORMATION

For many of today's microcontroller applications, care must be taken to prevent low-power conditions that can cause many different system problems. The most common causes are brown-out conditions, where the system supply drops below the operating level momentarily. The second most common cause is when a slowly decaying power supply causes the microcontroller to begin executing instructions without sufficient voltage to sustain volatile memory (RAM), thus producing indeterminate results. Figure 4-1 shows a typical application circuit.

The MCP102/103/121/131 are voltage supervisor devices designed to keep a microcontroller in reset until the system voltage has reached and stabilized at the proper level for reliable system operation. These devices also operate as protection from brown-out conditions.

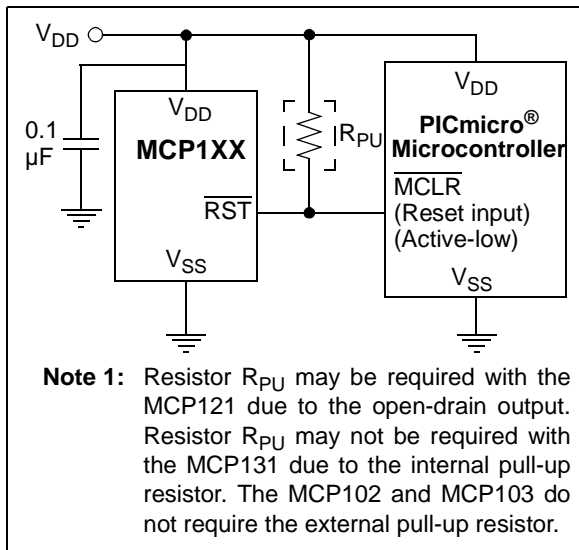


FIGURE 4-1: Typical Application Circuit.

4.1 \overline{RST} Operation

The \overline{RST} output pin operation determines how the device can be used and indicates when the system should be forced into reset. To accomplish this, an internal voltage reference is used to set the voltage trip point (V_{TRIP}). Additionally, there is a hysteresis on this trip point.

When the falling edge of V_{DD} crosses this voltage threshold, the reset power-down timer (T_{RPD}) starts. When this delay timer times out, the \overline{RST} pin is forced low.

When the rising-edge of V_{DD} crosses this voltage threshold, the reset power-up timer (T_{RPU}) starts. When this delay timer times out, the \overline{RST} pin is forced high, T_{RPU} is active and there is additional system current.

The actual voltage trip point (V_{TRIPAC}) will be between the minimum trip point ($V_{TRIPMIN}$) and the maximum trip point ($V_{TRIPMAX}$). The hysteresis on this trip point and the delay timer (T_{RPU}) are to remove any "jitter" that would occur on the \overline{RST} pin when the device V_{DD} is at the trip point.

Figure 4-2 shows the waveform of the \overline{RST} pin as determined by the V_{DD} voltage, while Table 4-1 shows the state of the \overline{RST} pin. The V_{TRIP} specification is for falling V_{DD} voltages. When the V_{DD} voltage is rising, the \overline{RST} will not be driven high until V_{DD} is at $V_{TRIP} + V_{HYS}$. Once V_{DD} has crossed the voltage trip point, there is also a minimal delay time (T_{RPD}) before the \overline{RST} pin is driven low.

TABLE 4-1: \overline{RST} PIN STATES

Device	State of \overline{RST} Pin when:		Output Driver
	$V_{DD} < V_{TRIP}$	$V_{DD} > V_{TRIP} + V_{HYS}$	
MCP102	L	H	Push-pull
MCP103	L	H	Push-pull
MCP121	L	H (1)	Open-drain (1)
MCP131	L	H (2)	Open-drain (2)

Note 1: Requires External Pull-up resistor

2: Has Internal Pull-up resistor

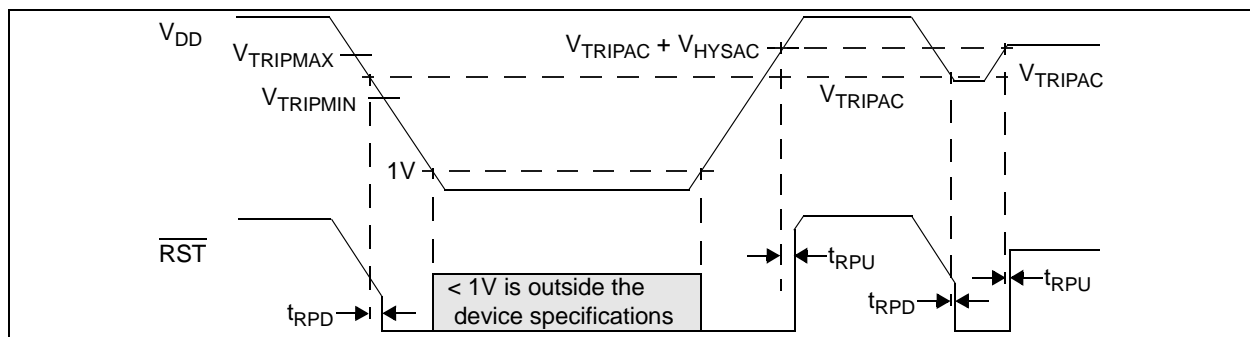


FIGURE 4-2: \overline{RST} Operation as Determined by the V_{TRIP} and V_{HYS} .

4.2 Negative Going V_{DD} Transients

The minimum pulse width (time) required to cause a reset may be an important criteria in the implementation of a Power-on Reset (POR) circuit. This time is referred to as transient duration, defined as the amount of time needed for these supervisory devices to respond to a drop in V_{DD} . The transient duration time is dependant on the magnitude of $V_{TRIP} - V_{DD}$. Generally speaking, the transient duration decreases with increases in $V_{TRIP} - V_{DD}$.

Figure 4-3 shows a typical transient duration vs. reset comparator overdrive, for which the MCP102/103/121/131 will not generate a reset pulse. It shows that the farther below the trip point the transient pulse goes, the duration of the pulse required to cause a reset gets shorter. Figure 2-32 shows the transient response characteristics for the MCP102/103/121/131.

A 0.1 μF bypass capacitor, mounted as close as possible to the V_{DD} pin, provides additional transient immunity (refer to Figure 4-1).

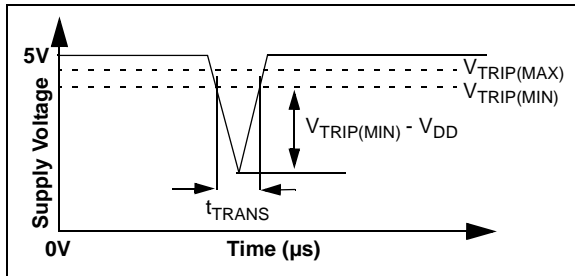


FIGURE 4-3: Example of Typical Transient Duration Waveform.

4.3 Reset Power-up Timer (t_{RPU})

Figure 4-4 illustrates the device current states. While the system is powering down, the device has a low current. This current is dependent on the device V_{DD} and trip point. When the device V_{DD} rises through the voltage trip point (V_{TRIP}), an internal timer starts. This timer consumes additional current until the $\overline{\text{RST}}$ pin is driven (or released) high. This time is known as the Reset Power-up Time (t_{RPU}). Figure 4-4 shows when t_{RPU} is active (device consuming additional current).

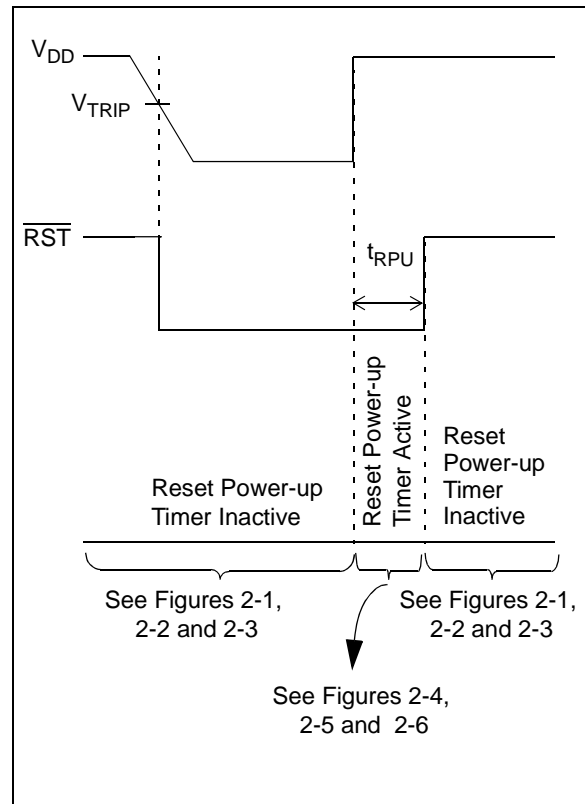


FIGURE 4-4: Reset Power-up Timer Waveform.

4.3.1 EFFECT OF TEMPERATURE ON RESET POWER-UP TIMER (T_{RPU})

The Reset Power-up timer time-out period (t_{RPU}) determines how long the device remains in the reset condition. This is affected by both V_{DD} and temperature. Typical responses for different V_{DD} values and temperatures are shown in Figures 2-26, 2-27 and 2-28.

MCP102/103/121/131

4.4 Using in PICmicro[®] Microcontroller, ICSP[™] Applications (MCP121 only)

Figure 4-5 shows the typical application circuit for using the MCP121 for voltage supervisory function when the PICmicro microcontroller will be programmed via the ICSP feature. Additional information is available in TB087, "Using Voltage Supervisors with PICmicro[®] Microcontroller Systems which Implement In-Circuit Serial Programming[™]", DS91087.

Note: It is recommended that the current into the RST pin be current limited by a 1 k Ω resistor.

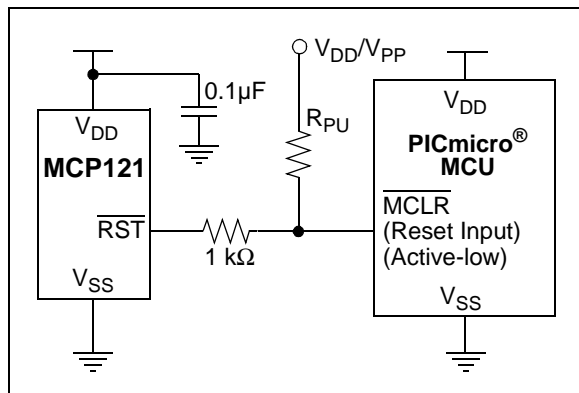
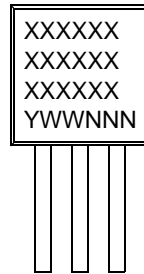


FIGURE 4-5: Typical Application Circuit for PICmicro[®] Microcontroller with the ICSP[™] feature.

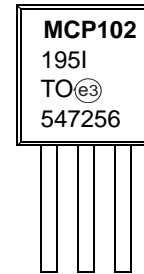
5.0 PACKAGING INFORMATION

5.1 Package Marking Information

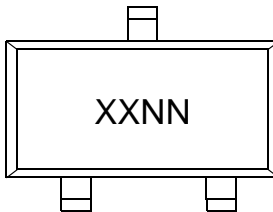
3-Lead TO-92



Example:



3-Pin SOT-23



Example:

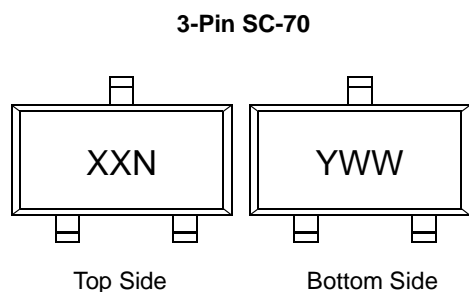
Part Number	MCP1xx =			
	MCP102	MCP103	MCP121	MCP131
MCP1xxT-195I/TT	JGNN	TGNN	LGNN	KGNN
MCP1xxT-240ETT	JHNN	THNN	LHNN	KHNN
MCP1xxT-270E/TT	JJNN	TJNN	LJNN	KJNN
MCP1xxT-300E/TT	JKNN	TKNN	LKNN	KKNN
MCP1xxT-315E/TT	JLNN	TLNN	LLNN	KLNN
MCP1xxT-450E/TT	JMNN	TMNN	LMNN	KMNN
MCP1xxT-475E/TT	JPNN	TPNN	LPNN	KPNN

Legend:	XX...X	Customer-specific information
	Y	Year code (last digit of calendar year)
	WW	Week code (week of January 1 is week '01')
	NNN	Alphanumeric traceability code
	(e3)	Pb-free JEDEC designator for Matte Tin (Sn)
	*	This package is Pb-free. The Pb-free JEDEC designator (e3) can be found on the outer packaging for this package.

Note: In the event the full Microchip part number cannot be marked on one line, it will be carried over to the next line, thus limiting the number of available characters for customer-specific information.

MCP102/103/121/131

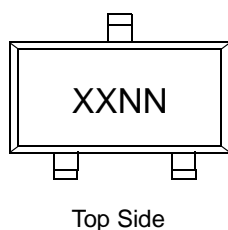
Package Marking Information (Continued)



Example:

Part Number	MCP1xx =			
	MCP102	MCP103	MCP121	MCP131
MCP1xxT-195I/LB	BGN	FGN	DGN	CGN
MCP1xxT-240E/LB	BHN	FHN	DHN	CHN
MCP1xxT-270E/LB	BJN	FJN	DJN	CJN
MCP1xxT-300E/LB	BKN	FKN	DKN	CKN
MCP1xxT-315E/LB	BLN	FLN	DLN	CLN
MCP1xxT-450E/LB	BMN	FMN	DMN	CMN
MCP1xxT-475E/LB	BPN	FPN	DPN	CPN

OR

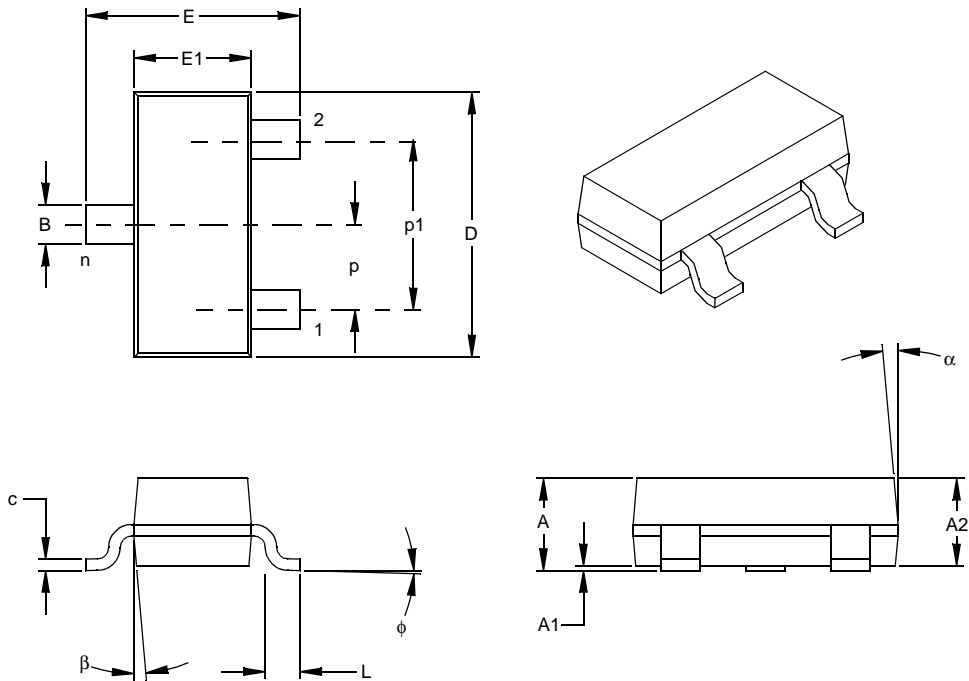


Example:

Part Number	MCP1xx =			
	MCP102	MCP103	MCP121	MCP131
MCP1xxT-195I/LB	BGNN	FGNN	DGNN	CGNN
MCP1xxT-240E/LB	BHNN	FHNN	DHNN	CHNN
MCP1xxT-270E/LB	BJNN	FJNN	DJNN	CJNN
MCP1xxT-300E/LB	BKNN	FKNN	DKNN	CKNN
MCP1xxT-315E/LB	BLNN	FLNN	DLNN	CLNN
MCP1xxT-450E/LB	BMNN	FMNN	DMNN	CMNN
MCP1xxT-475E/LB	BPNN	FPNN	DPNN	CPNN

MCP102/103/121/131

3-Lead Plastic Small Outline Transistor (TT) (SOT-23)



Units		INCHES*			MILLIMETERS		
Dimension Limits		MIN	NOM	MAX	MIN	NOM	MAX
Number of Pins	n		3			3	
Pitch	p		.038			0.96	
Outside lead pitch (basic)	p1		.076			1.92	
Overall Height	A	.035	.040	.044	0.89	1.01	1.12
Molded Package Thickness	A2	.035	.037	.040	0.88	0.95	1.02
Standoff §	A1	.000	.002	.004	0.01	0.06	0.10
Overall Width	E	.083	.093	.104	2.10	2.37	2.64
Molded Package Width	E1	.047	.051	.055	1.20	1.30	1.40
Overall Length	D	.110	.115	.120	2.80	2.92	3.04
Foot Length	L	.014	.018	.022	0.35	0.45	0.55
Foot Angle	φ	0	5	10	0	5	10
Lead Thickness	c	.004	.006	.007	0.09	0.14	0.18
Lead Width	B	.015	.017	.020	0.37	0.44	0.51
Mold Draft Angle Top	α	0	5	10	0	5	10
Mold Draft Angle Bottom	β	0	5	10	0	5	10

* Controlling Parameter
§ Significant Characteristic

Notes:

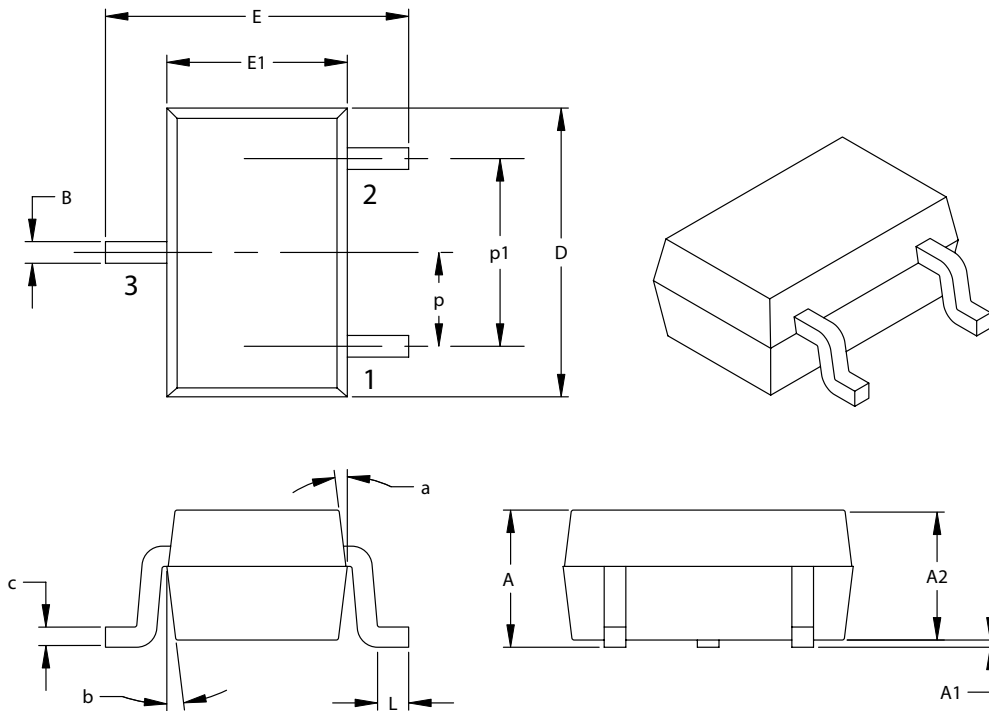
Dimensions D and E1 do not include mold flash or protrusions. Mold flash or protrusions shall not exceed .010" (0.254mm) per side.

JEDEC Equivalent: TO-236

Drawing No. C04-104

MCP102/103/121/131

3-Lead Plastic Small Outline Transistor (LB) (SC-70)



Dimension Limits	Units	INCHES		MILLIMETERS*	
		MIN	MAX	MIN	MAX
Number of Pins		3		3	
Pitch	P	.026 BSC.		0.65 BSC.	
Outside lead pitch (basic)	p1	.051 BSC.		1.30 BSC.	
Overall Height	A	.031	.043	0.80	1.10
Molded Package Thickness	A2	.031	.039	0.80	1.00
Standoff	A1	.000	.0004	0.00	.010
Overall Width	E	.071	.094	1.80	2.40
Molded Package Width	E1	.045	.053	1.15	1.35
Overall Length	D	.071	.089	1.80	2.25
Foot Length	L	.004	.016	0.10	0.41
Lead Thickness	c	.003	.010	0.08	0.25
Lead Width	B	.006	.016	0.15	0.40
Mold Draft Angle Top	a	8°	12°	8°	12°
Mold Draft Angle Bottom	b	8°	12°	8°	12°

*Controlling Parameter

Notes:

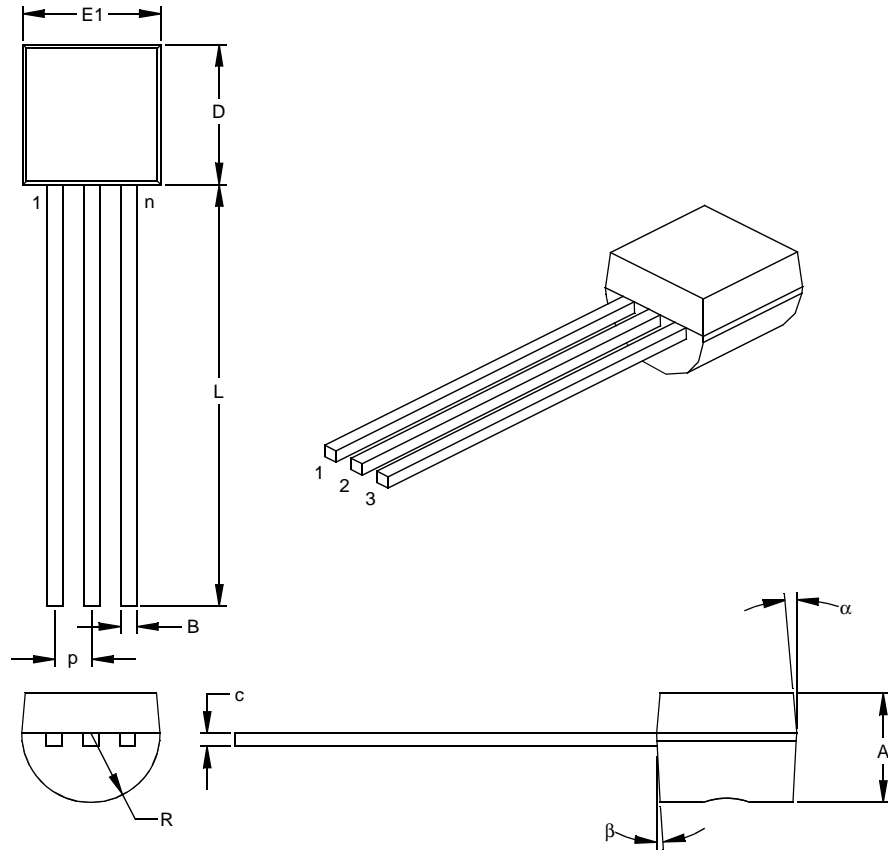
Dimensions D and E1 do not include mold flash or protrusions. Mold flash or protrusions shall not exceed .005" (0.127mm) per side.

JEITA (EIAJ) Equivalent: SC70

Drawing No. C04-104

MCP102/103/121/131

3-Lead Plastic Transistor Outline (TO) (TO-92)



Dimension	Units	INCHES*			MILLIMETERS		
		MIN	NOM	MAX	MIN	NOM	MAX
Number of Pins	n		3			3	
Pitch	p		.050			1.27	
Bottom to Package Flat	A	.130	.143	.155	3.30	3.62	3.94
Overall Width	E1	.175	.186	.195	4.45	4.71	4.95
Overall Length	D	.170	.183	.195	4.32	4.64	4.95
Molded Package Radius	R	.085	.090	.095	2.16	2.29	2.41
Tip to Seating Plane	L	.500	.555	.610	12.70	14.10	15.49
Lead Thickness	c	.014	.017	.020	0.36	0.43	0.51
Lead Width	B	.016	.019	.022	0.41	0.48	0.56
Mold Draft Angle Top	α	4	5	6	4	5	6
Mold Draft Angle Bottom	β	2	3	4	2	3	4

*Controlling Parameter

Notes:

Dimensions D and E1 do not include mold flash or protrusions. Mold flash or protrusions shall not exceed .010" (0.254mm) per side.

JEDEC Equivalent: TO-92

Drawing No. C04-101

MCP102/103/121/131

5.2 Product Tape and Reel Specifications

FIGURE 5-1: EMBOSSED CARRIER DIMENSIONS (8, 12, 16 AND 24 MM TAPE ONLY)

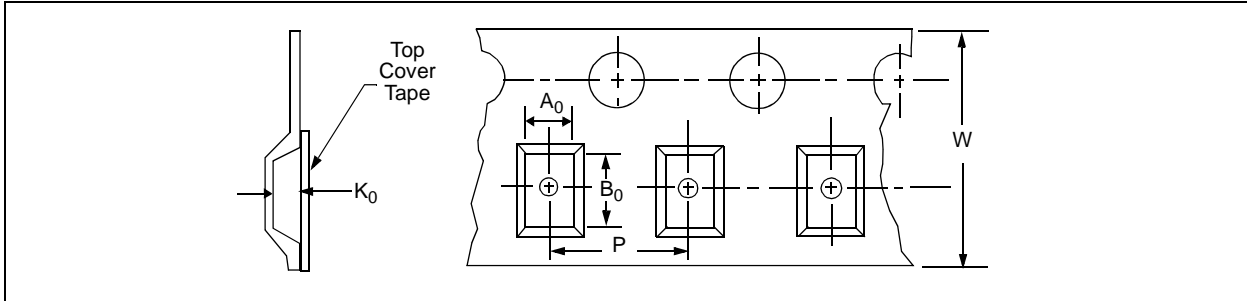


TABLE 1: CARRIER TAPE/CAVITY DIMENSIONS

Case Outline	Package Type		Carrier Dimensions		Cavity Dimensions			Output Quantity Units	Reel Diameter in mm
			W mm	P mm	A0 mm	B0 mm	K0 mm		
TT	SOT-23	3L	8	4	3.15	2.77	1.22	3000	180
LB	SC-70	3L	8	4	2.4	2.4	1.19	3000	180

FIGURE 5-2: 3-LEAD SOT-23/SC70 DEVICE TAPE AND REEL SPECIFICATIONS

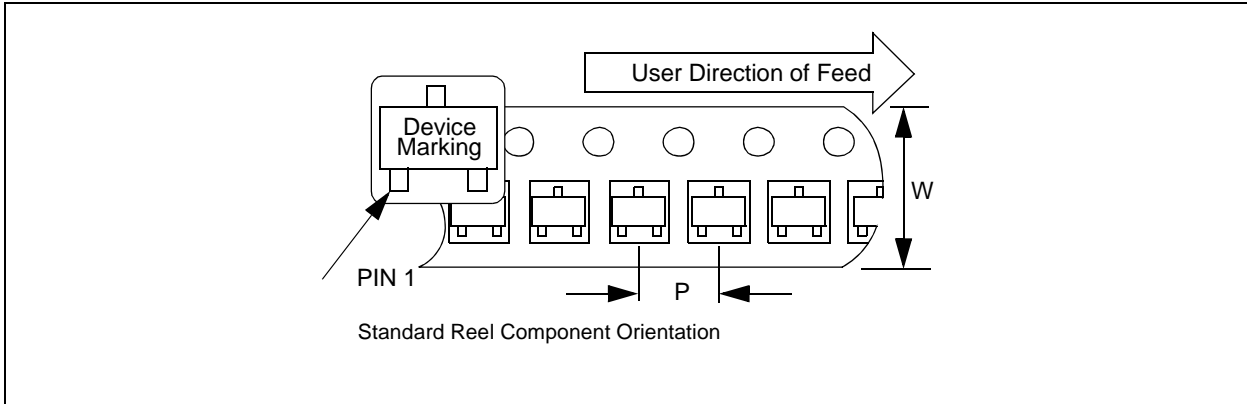
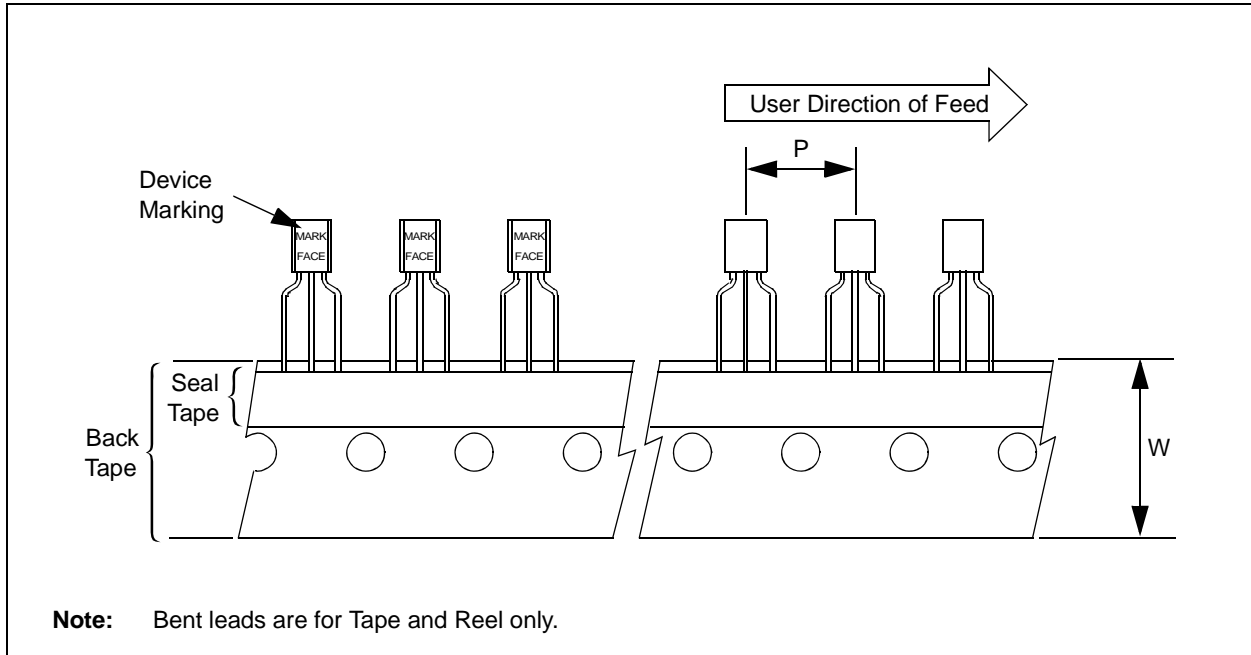


FIGURE 5-3: TO-92 DEVICE TAPE AND REEL SPECIFICATIONS



MCP102/103/121/131

NOTES:

APPENDIX A: REVISION HISTORY

Revision B (March 2005)

The following is the list of modifications:

1. Added **Section 4.4 “Using in PICmicro® Microcontroller, ICSP™ Applications (MCP121 only)”** on using the MCP121 in PICmicro microcontroller ICSP applications.
2. Added V_{ODH} specifications in **Section 1.0 “Electrical Characteristics”** (for ICSP applications).
3. Added Figure 2-33.
4. Updated SC-70 package markings and added Pb-free marking information to **Section 5.0 “Packaging information”**.
5. Added **Appendix A: “Revision History”**.

Revision A (August 2004)

- Original Release of this Document.

MCP102/103/121/131

NOTES:

PRODUCT IDENTIFICATION SYSTEM

To order or obtain information, e.g., on pricing or delivery, refer to the factory or the listed sales office.

PART NO.	- X	XXX	X	/	XX
Device	Tape/Reel Option	Monitoring Options	Temperature Range		Package
Device:					
MCP102:					MicroPower Voltage Supervisor, push-pull (Tape and Reel)
MCP102T:					MicroPower Voltage Supervisor, push-pull (Tape and Reel)
MCP103:					MicroPower Voltage Supervisor, push-pull (Tape and Reel)
MCP103T:					MicroPower Voltage Supervisor, push-pull (Tape and Reel)
MCP121:					MicroPower Voltage Supervisor, open-drain (Tape and Reel)
MCP121T:					MicroPower Voltage Supervisor, open-drain (Tape and Reel)
MCP131:					MicroPower Voltage Supervisor, open-drain (Tape and Reel)
MCP131T:					MicroPower Voltage Supervisor, open-drain (Tape and Reel)
Monitoring Options:					
		195 = 1.90V			
		240 = 2.32V			
		270 = 2.63V			
		300 = 2.93V			
		315 = 3.08V			
		450 = 4.38V			
		475 = 4.63V			
Temperature Range:					
		I = -40°C to +85°C (MCP11X-195 only)			
		E = -40°C to +125°C (Except MCP11X-195 only)			
Package:					
		TT = SOT-23B, 3-lead			
		LB = SC-70, 3-lead			
		TO = TO-92, 3-lead			
Examples:					
a)	MCP102T-195I/TT:				Tape and Reel, 1.95V MicroPower Voltage Supervisor, push-pull, -40°C to +85°C, SOT-23B-3 package.
b)	MCP102-300E/TO:				3.00V MicroPower Voltage Supervisor, push-pull, -40°C to +125°C, TO-92-3 package.
a)	MCP103T-270E/TT:				Tape and Reel, 2.70V MicroPower Voltage Supervisor, push-pull, -40°C to +125°C, SOT-23B-3 package.
b)	MCP103T-475E/LB:				Tape and Reel, 4.75V MicroPower Voltage Supervisor, push-pull, -40°C to +125°C, SC-70-3 package.
a)	MCP121T-315I/LB:				Tape and Reel, 3.15V MicroPower Voltage Supervisor, open-drain, -40°C to +125°C, SC-70-3 package.
b)	MCP121-300E/TO:				3.00V MicroPower Voltage Supervisor, open-drain, -40°C to +125°C, TO-92-3 package.
a)	MCP131T-195I/TT:				Tape and Reel, 1.95V MicroPower Voltage Supervisor, open-drain, -40°C to +85°C, SOT-23B-3 package.
b)	MCP131-300E/TO:				3.00V MicroPower Voltage Supervisor, open-drain, -40°C to +125°C, TO-92-3 package.

MCP102/103/121/131

NOTES:

Note the following details of the code protection feature on Microchip devices:

- Microchip products meet the specification contained in their particular Microchip Data Sheet.
- Microchip believes that its family of products is one of the most secure families of its kind on the market today, when used in the intended manner and under normal conditions.
- There are dishonest and possibly illegal methods used to breach the code protection feature. All of these methods, to our knowledge, require using the Microchip products in a manner outside the operating specifications contained in Microchip's Data Sheets. Most likely, the person doing so is engaged in theft of intellectual property.
- Microchip is willing to work with the customer who is concerned about the integrity of their code.
- Neither Microchip nor any other semiconductor manufacturer can guarantee the security of their code. Code protection does not mean that we are guaranteeing the product as "unbreakable."

Code protection is constantly evolving. We at Microchip are committed to continuously improving the code protection features of our products. Attempts to break Microchip's code protection feature may be a violation of the Digital Millennium Copyright Act. If such acts allow unauthorized access to your software or other copyrighted work, you may have a right to sue for relief under that Act.

Information contained in this publication regarding device applications and the like is provided only for your convenience and may be superseded by updates. It is your responsibility to ensure that your application meets with your specifications. MICROCHIP MAKES NO REPRESENTATIONS OR WARRANTIES OF ANY KIND WHETHER EXPRESS OR IMPLIED, WRITTEN OR ORAL, STATUTORY OR OTHERWISE, RELATED TO THE INFORMATION, INCLUDING BUT NOT LIMITED TO ITS CONDITION, QUALITY, PERFORMANCE, MERCHANTABILITY OR FITNESS FOR PURPOSE. Microchip disclaims all liability arising from this information and its use. Use of Microchip's products as critical components in life support systems is not authorized except with express written approval by Microchip. No licenses are conveyed, implicitly or otherwise, under any Microchip intellectual property rights.

Trademarks

The Microchip name and logo, the Microchip logo, Accuron, dsPIC, KEELOQ, microID, MPLAB, PIC, PICmicro, PICSTART, PRO MATE, PowerSmart, rPIC, and SmartShunt are registered trademarks of Microchip Technology Incorporated in the U.S.A. and other countries.


AmpLab, FilterLab, Migratable Memory, MXDEV, MXLAB, PICMASTER, SEEVAL, SmartSensor and The Embedded Control Solutions Company are registered trademarks of Microchip Technology Incorporated in the U.S.A.

Analog-for-the-Digital Age, Application Maestro, dsPICDEM, dsPICDEM.net, dsPICworks, ECAN, ECONOMONITOR, FanSense, FlexROM, fuzzyLAB, In-Circuit Serial Programming, ICSP, ICEPIC, MPASM, MPLIB, MPLINK, MPSIM, PICKit, PICDEM, PICDEM.net, PICLAB, PICtail, PowerCal, PowerInfo, PowerMate, PowerTool, rLAB, rPICDEM, Select Mode, Smart Serial, SmartTel, Total Endurance and WiperLock are trademarks of Microchip Technology Incorporated in the U.S.A. and other countries.

SQTP is a service mark of Microchip Technology Incorporated in the U.S.A.

All other trademarks mentioned herein are property of their respective companies.

© 2005, Microchip Technology Incorporated, Printed in the U.S.A., All Rights Reserved.

 Printed on recycled paper.

QUALITY MANAGEMENT SYSTEM
CERTIFIED BY DNV
== ISO/TS 16949:2002 ==

Microchip received ISO/TS-16949:2002 quality system certification for its worldwide headquarters, design and wafer fabrication facilities in Chandler and Tempe, Arizona and Mountain View, California in October 2003. The Company's quality system processes and procedures are for its PICmicro® 8-bit MCUs, KEELOQ® code hopping devices, Serial EEPROMs, microperipherals, nonvolatile memory and analog products. In addition, Microchip's quality system for the design and manufacture of development systems is ISO 9001:2000 certified.



WORLDWIDE SALES AND SERVICE

AMERICAS

Corporate Office

2355 West Chandler Blvd.
Chandler, AZ 85224-6199
Tel: 480-792-7200
Fax: 480-792-7277
Technical Support:
<http://support.microchip.com>
Web Address:
www.microchip.com

Atlanta

Alpharetta, GA
Tel: 770-640-0034
Fax: 770-640-0307

Boston

Westborough, MA
Tel: 774-760-0087
Fax: 774-760-0088

Chicago

Itasca, IL
Tel: 630-285-0071
Fax: 630-285-0075

Dallas

Addison, TX
Tel: 972-818-7423
Fax: 972-818-2924

Detroit

Farmington Hills, MI
Tel: 248-538-2250
Fax: 248-538-2260

Kokomo

Kokomo, IN
Tel: 765-864-8360
Fax: 765-864-8387

Los Angeles

Mission Viejo, CA
Tel: 949-462-9523
Fax: 949-462-9608

San Jose

Mountain View, CA
Tel: 650-215-1444
Fax: 650-961-0286

Toronto

Mississauga, Ontario,
Canada
Tel: 905-673-0699
Fax: 905-673-6509

ASIA/PACIFIC

Australia - Sydney

Tel: 61-2-9868-6733
Fax: 61-2-9868-6755

China - Beijing

Tel: 86-10-8528-2100
Fax: 86-10-8528-2104

China - Chengdu

Tel: 86-28-8676-6200
Fax: 86-28-8676-6599

China - Fuzhou

Tel: 86-591-8750-3506
Fax: 86-591-8750-3521

China - Hong Kong SAR

Tel: 852-2401-1200
Fax: 852-2401-3431

China - Shanghai

Tel: 86-21-5407-5533
Fax: 86-21-5407-5066

China - Shenyang

Tel: 86-24-2334-2829
Fax: 86-24-2334-2393

China - Shenzhen

Tel: 86-755-8203-2660
Fax: 86-755-8203-1760

China - Shunde

Tel: 86-757-2839-5507
Fax: 86-757-2839-5571

China - Qingdao

Tel: 86-532-502-7355
Fax: 86-532-502-7205

ASIA/PACIFIC

India - Bangalore

Tel: 91-80-2229-0061
Fax: 91-80-2229-0062

India - New Delhi

Tel: 91-11-5160-8631
Fax: 91-11-5160-8632

Japan - Kanagawa

Tel: 81-45-471-6166
Fax: 81-45-471-6122

Korea - Seoul

Tel: 82-2-554-7200
Fax: 82-2-558-5932 or
82-2-558-5934

Singapore

Tel: 65-6334-8870
Fax: 65-6334-8850

Taiwan - Kaohsiung

Tel: 886-7-536-4818
Fax: 886-7-536-4803

Taiwan - Taipei

Tel: 886-2-2500-6610
Fax: 886-2-2508-0102

Taiwan - Hsinchu

Tel: 886-3-572-9526
Fax: 886-3-572-6459

EUROPE

Austria - Weis

Tel: 43-7242-2244-399
Fax: 43-7242-2244-393

Denmark - Ballerup

Tel: 45-4450-2828
Fax: 45-4485-2829

France - Massy

Tel: 33-1-69-53-63-20
Fax: 33-1-69-30-90-79

Germany - Ismaning

Tel: 49-89-627-144-0
Fax: 49-89-627-144-44

Italy - Milan

Tel: 39-0331-742611
Fax: 39-0331-466781

Netherlands - Drunen

Tel: 31-416-690399
Fax: 31-416-690340

England - Berkshire

Tel: 44-118-921-5869
Fax: 44-118-921-5820

03/01/05