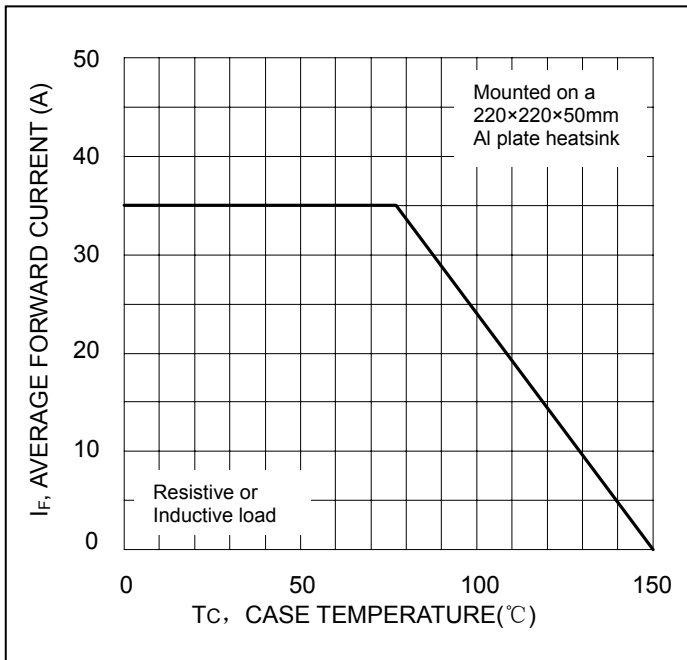
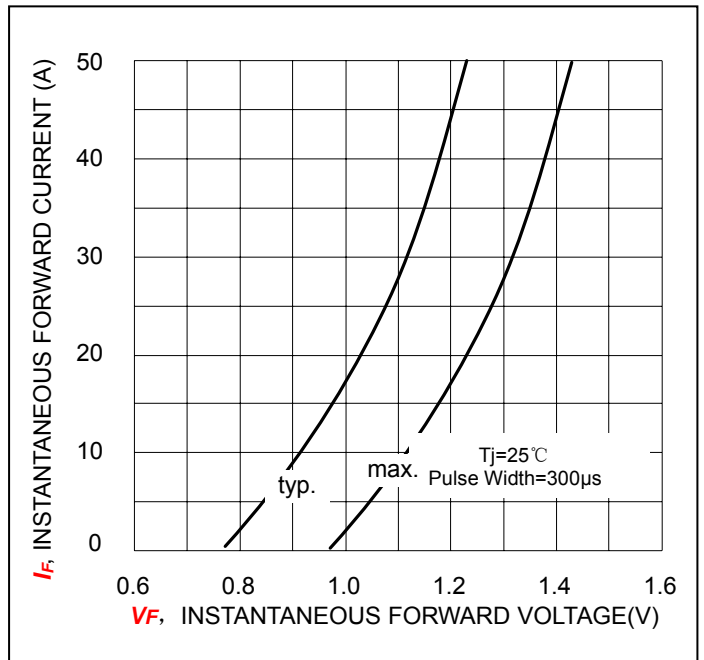


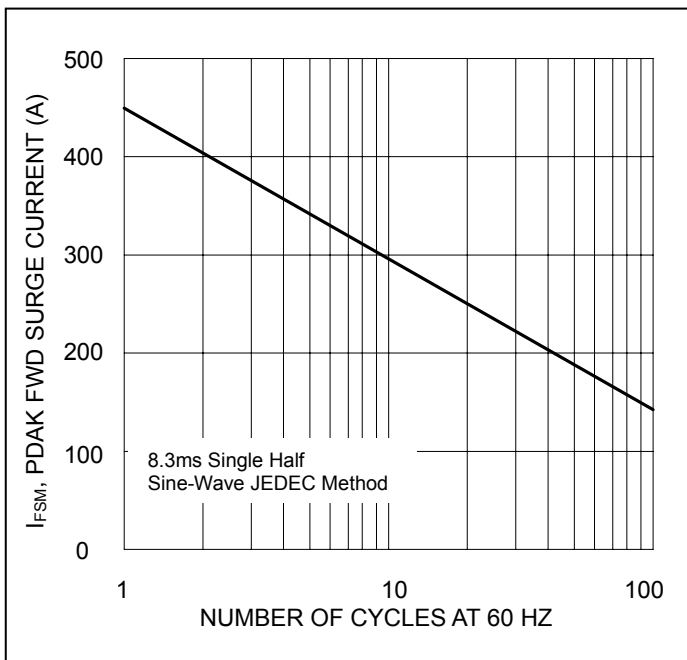
## Characteristic Curve



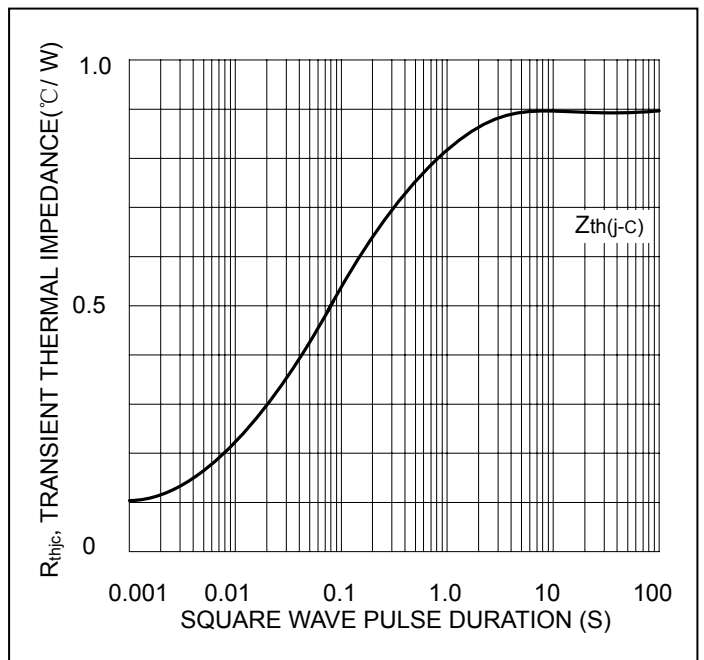
**Fig. 1 Forward Current Derating Curve**



**Fig.2 Typical Forward Characteristics**



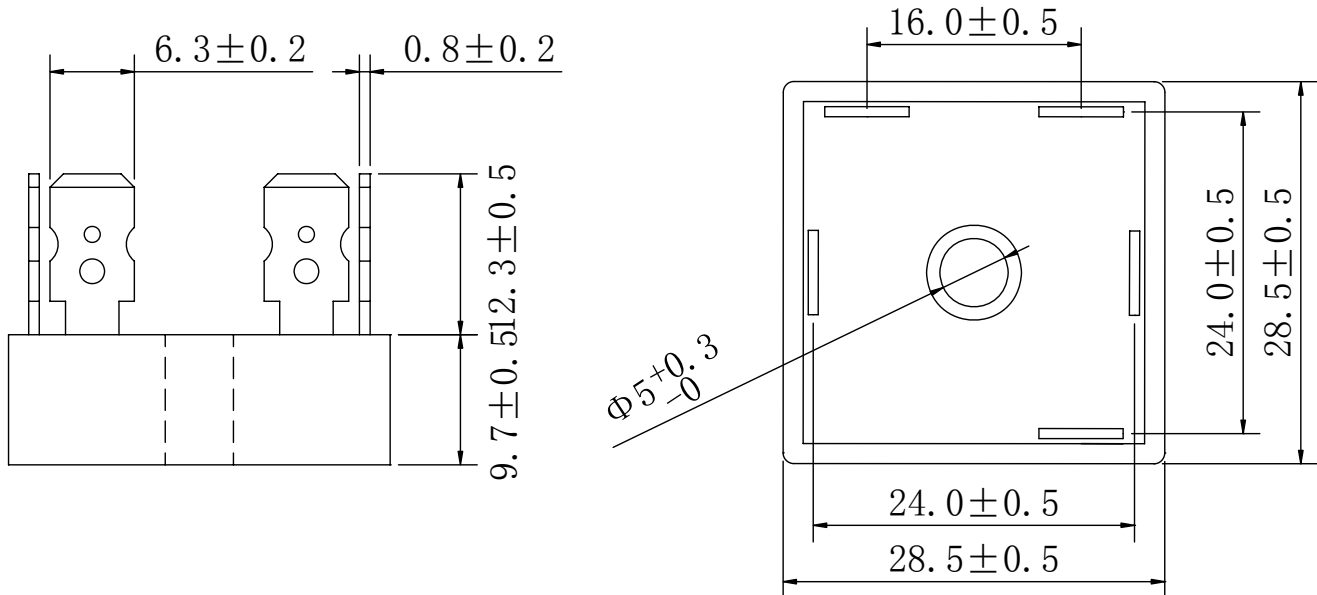
**Fig.3 Max Non-Repetitive Peak Surge Current**



**Fig4. Transient thermal impedance**

## Package Outline Information

CASE: MT-A



Dimensions in mm