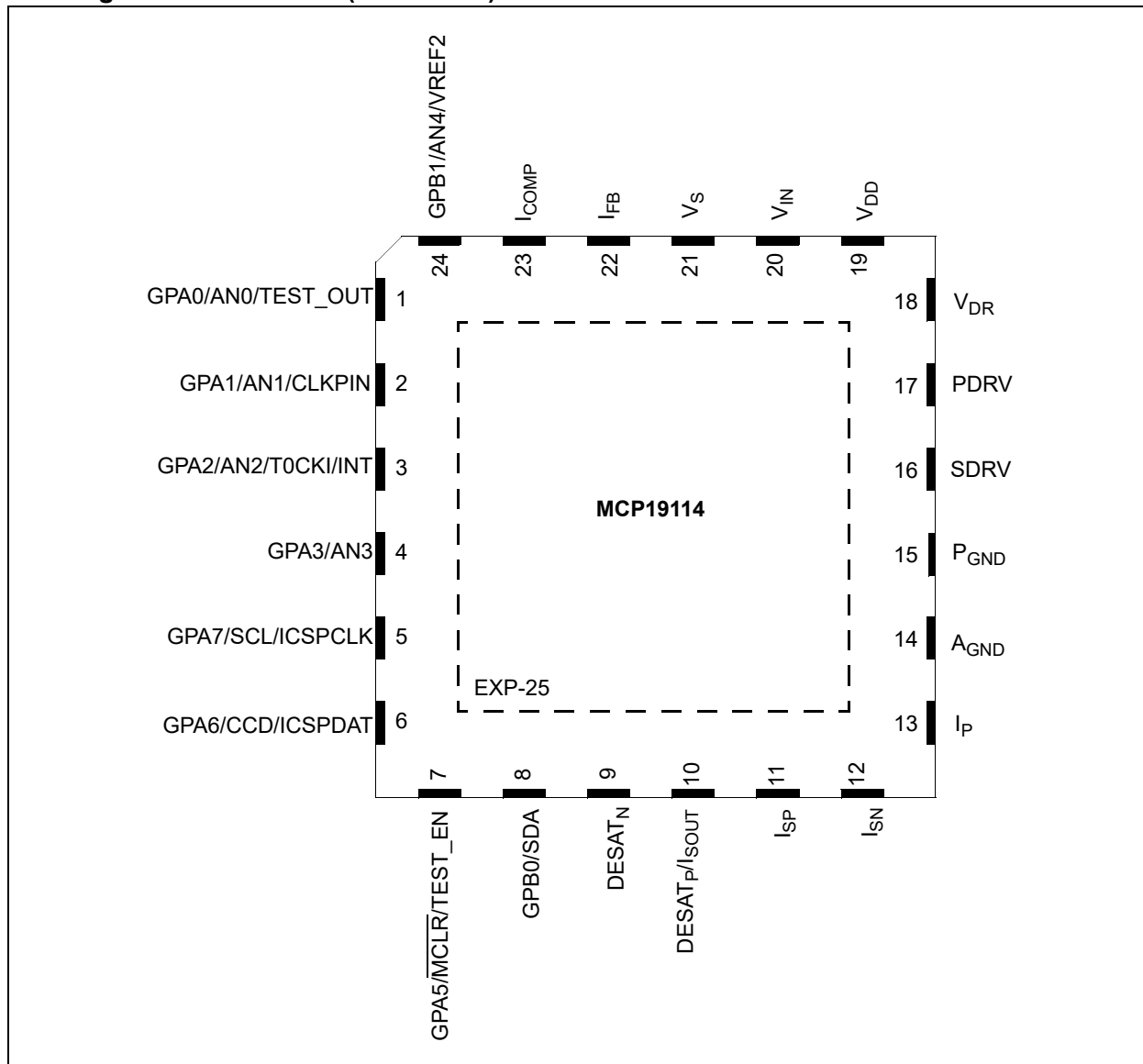


# MCP19114/5

## Pin Diagram – 24-Pin QFN (MCP19114)



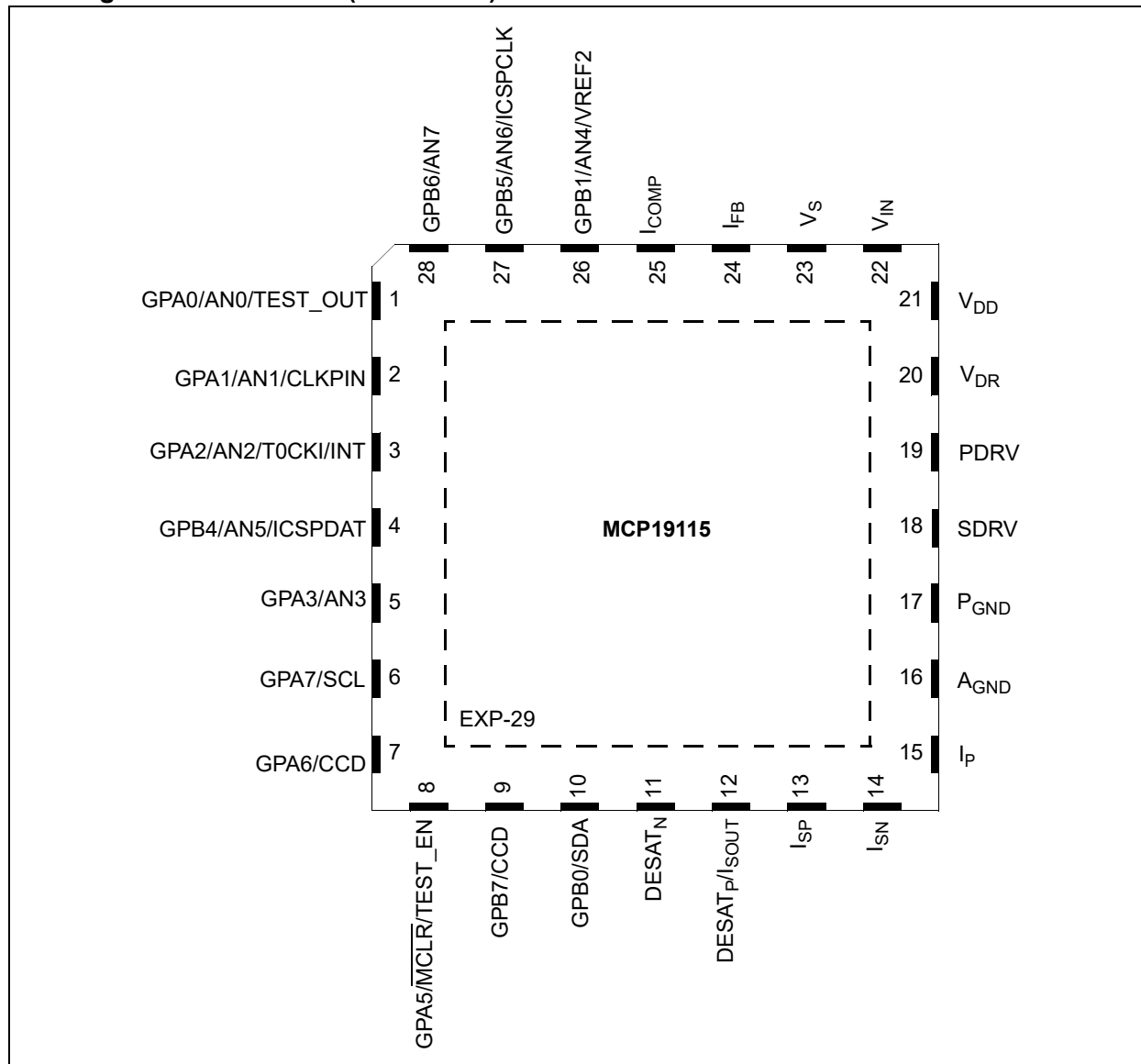
**TABLE 1: 24-PIN SUMMARY**

I/O	24-Pin QFN	ANSEL	A/D	Timers	MSSP	Interrupt	Pull-Up	Basic	Additional
GPA0	1	Y	AN0	—	—	IOC	Y	—	Analog/Digital Debug Output <sup>(1)</sup>
GPA1	2	Y	AN1	—	—	IOC	Y	—	Sync Signal In/Out <sup>(2)</sup>
GPA2	3	Y	AN2	T0CKI	—	IOC INT	Y	—	—
GPA3	4	Y	AN3	—	—	IOC	Y	—	—
GPA5	7	N	—	—	—	IOC <sup>(4)</sup>	Y <sup>(5)</sup>	$\overline{\text{MCLR}}$	Test Enable Input
GPA6	6	N	—	—	—	IOC	Y	ICSPDAT	Dual Capture Input/Single Compare 1 Output
GPA7	5	N	—	—	SCL	IOC	N	ICSPCLK	—
GPB0	8	N	—	—	SDA	IOC	N	—	—
GPB1	24	Y	AN4	—	—	IOC	Y	—	$V_{\text{REF2}}$ <sup>(3)</sup>
DESAT <sub>N</sub>	9	N	—	—	—	—	—	—	DESAT Negative Input
DESAT <sub>P</sub> / I <sub>SOUT</sub>	10	N	—	—	—	—	—	—	DESAT <sub>P</sub> Input or I <sub>SOUT</sub> Output <sup>(6)</sup>
I <sub>SP</sub>	11	N	—	—	—	—	Y	—	Current Sense Amplifier Positive Input
I <sub>SN</sub>	12	N	—	—	—	—	—	—	Current Sense Amplifier Negative Input
I <sub>P</sub>	13	N	—	—	—	—	—	—	Primary Input Current Sense
A <sub>GND</sub>	14	N	—	—	—	—	—	A <sub>GND</sub>	Small Signal Ground
P <sub>GND</sub>	15	N	—	—	—	—	—	P <sub>GND</sub>	Large Signal Ground
SDRV	16	N	—	—	—	—	—	—	Secondary LS Gate Drive Output
PDRV	17	N	—	—	—	—	—	—	Primary LS Gate Drive Output
V <sub>DR</sub>	18	N	—	—	—	—	—	V <sub>DR</sub>	Gate Drive Supply Voltage
V <sub>DD</sub>	19	N	—	—	—	—	—	V <sub>DD</sub>	V <sub>DD</sub> Output
V <sub>IN</sub>	20	N	—	—	—	—	—	V <sub>IN</sub>	Input Supply Voltage
V <sub>S</sub>	21	N	—	—	—	—	—	—	Output Voltage Sense
I <sub>FB</sub>	22	N	—	—	—	—	—	—	Error Amplifier Feedback Input
I <sub>COMP</sub>	23	N	—	—	—	—	—	—	Error Amplifier Output

- Note 1:** The Analog/Digital Debug Output is selected through the control of the ABECON register.
- 2:** Selected when functioning as main or secondary by proper configuration of the MSC<1:0> bits in the MODECON register.
- 3:**  $V_{\text{REF2}}$  output selected when configured as main by proper configuration of the MSC<1:0> bits in the MODECON register.
- 4:** The IOC is disabled when  $\overline{\text{MCLR}}$  is enabled.
- 5:** Weak pull-up always enabled when  $\overline{\text{MCLR}}$  is enabled, otherwise the pull-up is under user control.
- 6:** When RFB of MODECON<5> = 0, the internal feedback resistor and DESAT<sub>P</sub> input are enabled. When RFB = 1, I<sub>SOUT</sub> is enabled.

# MCP19114/5

## Pin Diagram – 28-Pin QFN (MCP19115)



**TABLE 2: 28-PIN SUMMARY**

I/O	28-Pin QFN	ANSEL	A/D	Timers	MSSP	Interrupt	Pull-Up	Basic	Additional
GPA0	1	Y	AN0	—	—	IOC	Y	—	Analog/Digital Debug Output <sup>(1)</sup>
GPA1	2	Y	AN1	—	—	IOC	Y	—	Sync Signal In/Out <sup>(2)</sup>
GPA2	3	Y	AN2	TOCKI	—	IOC INT	Y	—	—
GPA3	5	Y	AN3	—	—	IOC	Y	—	—
GPA5	8	N	—	—	—	IOC <sup>(4)</sup>	Y <sup>(5)</sup>	$\overline{\text{MCLR}}$	Test Enable Input
GPA6	7	N	—	—	—	IOC	Y	—	Dual Capture Input/Single Compare 1 Output
GPA7	6	N	—	—	SCL	IOC	N	—	—
GPB0	10	N	—	—	SDA	IOC	N	—	—
GPB1	26	Y	AN4	—	—	IOC	Y	—	$V_{\text{REF2}}$ <sup>(3)</sup>
GPB4	4	Y	AN5	—	—	IOC	Y	ICSPDAT	—
GPB5	27	Y	AN6	—	—	IOC	Y	ICSPCLK	—
GPB6	28	Y	AN7	—	—	IOC	Y	—	—
GPB7	9	Y	—	—	—	IOC	Y	—	Single Compare2 Output
DESAT <sub>P</sub> / I <sub>SOUT</sub>	12	N	—	—	—	—	—	—	DESAT <sub>P</sub> input or I <sub>SOUT</sub> Output <sup>(6)</sup>
DESAT <sub>N</sub>	11	N	—	—	—	—	—	—	DESAT Negative Input
I <sub>SP</sub>	13	N	—	—	—	—	Y	—	Current Sense Amplifier Noninverting Input
I <sub>SN</sub>	14	N	—	—	—	—	—	—	Current Sense Amplifier Inverting Input
I <sub>P</sub>	15	N	—	—	—	—	—	—	Primary Input Current Sense
A <sub>GND</sub>	16	N	—	—	—	—	—	A <sub>GND</sub>	Small Signal Ground
P <sub>GND</sub>	17	N	—	—	—	—	—	P <sub>GND</sub>	Large Signal Ground
SDRV	18	N	—	—	—	—	—	—	Secondary LS Gate Drive Output
PDRV	19	N	—	—	—	—	—	—	Primary LS Gate Drive Output
V <sub>DR</sub>	20	N	—	—	—	—	—	V <sub>DR</sub>	Gate Drive Supply Voltage
V <sub>DD</sub>	21	N	—	—	—	—	—	V <sub>DD</sub>	V <sub>DD</sub> Output
V <sub>IN</sub>	22	N	—	—	—	—	—	V <sub>IN</sub>	Input Supply Voltage
V <sub>S</sub>	23	N	—	—	—	—	—	—	Output Voltage Sense
I <sub>FB</sub>	24	N	—	—	—	—	—	—	Error Amplifier Feedback input
I <sub>COMP</sub>	25	N	—	—	—	—	—	—	Error Amplifier Output

**Note 1:** The Analog/Digital Debug Output is selected through the control of the ABECON register.

**2:** Selected when functioning as main or secondary by proper configuration of the MSC<1:0> bits in the MODECON register.

**3:** VREF2 output selected when configured as main by proper configuration of the MSC<1:0> bits in the MODECON register.

**4:** The IOC is disabled when  $\overline{\text{MCLR}}$  is enabled.

**5:** Weak pull-up always enabled when  $\overline{\text{MCLR}}$  is enabled, otherwise the pull-up is under user control.

**6:** When RFB of MODECON<6> = 0, the internal feedback resistor is enabled allow with DESAT<sub>P</sub> input. When RFB = 1, I<sub>SOUT</sub> is enabled.

# MCP19114/5

---

## Table of Contents

1.0	Device Overview .....	9
2.0	Pin Description .....	13
3.0	Functional Description .....	19
4.0	Electrical Characteristics .....	22
5.0	Digital Electrical Characteristics .....	29
6.0	Configuring the MCP19114/5 .....	37
7.0	Typical Performance Curves .....	53
8.0	System Bench Testing .....	57
9.0	Device Calibration .....	59
10.0	Memory Organization .....	69
11.0	Device Configuration .....	81
12.0	Oscillator Modes .....	83
13.0	Resets .....	85
14.0	Interrupts .....	93
15.0	Power-Down Mode (Sleep) .....	101
16.0	Watchdog Timer (WDT) .....	103
17.0	Flash Program Memory Control .....	105
18.0	I/O Ports .....	111
19.0	Interrupt-On-Change .....	121
20.0	Internal Temperature Indicator Module .....	125
21.0	Analog-to-Digital Converter (ADC) Module .....	127
22.0	Timer0 Module .....	137
23.0	Timer1 Module with Gate Control .....	139
24.0	Timer2 Module .....	143
25.0	Enhanced PWM Module .....	145
26.0	Dual Capture/Compare (CCD) Module .....	149
27.0	PWM Control Logic .....	153
28.0	HOST Synchronous Serial Port (MSSP) Module .....	155
29.0	Instruction Set Summary .....	199
30.0	In-Circuit Serial Programming™ (ICSP™) .....	209
31.0	Development Support .....	211
32.0	Packaging Information .....	215
	Appendix A: Revision History .....	221
	Index .....	223
	The Microchip Web Site .....	229
	Customer Change Notification Service .....	229
	Customer Support .....	229
	Product Identification System .....	231

## TO OUR VALUED CUSTOMERS

It is our intention to provide our valued customers with the best documentation possible to ensure successful use of your Microchip products. To this end, we will continue to improve our publications to better suit your needs. Our publications will be refined and enhanced as new volumes and updates are introduced.

If you have any questions or comments regarding this publication, please contact the Marketing Communications Department via E-mail at [docerrors@microchip.com](mailto:docerrors@microchip.com). We welcome your feedback.

### Most Current Data Sheet

To obtain the most up-to-date version of this data sheet, please register at our Worldwide Web site at:

<http://www.microchip.com>

You can determine the version of a data sheet by examining its literature number found on the bottom outside corner of any page. The last character of the literature number is the version number, (e.g., DS30000000A is version A of document DS30000000).

### Errata

An errata sheet, describing minor operational differences from the data sheet and recommended workarounds, may exist for current devices. As device/documentation issues become known to us, we will publish an errata sheet. The errata will specify the revision of silicon and revision of document to which it applies.

To determine if an errata sheet exists for a particular device, please check with one of the following:

- Microchip's Worldwide Web site; <http://www.microchip.com>
- Your local Microchip sales office (see last page)

When contacting a sales office, please specify which device, revision of silicon and data sheet (include literature number) you are using.

### Customer Notification System

Register on our web site at [www.microchip.com](http://www.microchip.com) to receive the most current information on all of our products.

# MCP19114/5

---

NOTES:

## 1.0 DEVICE OVERVIEW

The MCP19114/5 are highly integrated, mixed-signal low-side synchronous controllers that operate from 4.5V to 42V. The family features an analog PWM controller with an integrated microcontroller core used for LED lighting systems, battery chargers and other low-side switch PWM applications. The devices feature an analog internal PWM controller similar to the MCP1631, and a standard PIC<sup>®</sup> microcontroller similar to the PIC12F617.

Complete customization of device operating parameters, start-up or shutdown profiles, protection levels and fault handling procedures are accomplished by setting digital registers using Microchip's MPLAB<sup>®</sup> X Integrated Development Environment software and one of Microchip's many in-circuit debugger and device programmers.

The MCP19114/5 mixed-signal low-side synchronous controllers feature integrated programmable input UVLO/OVLO, programmable output overvoltage (OV), two low-side gate drive outputs with independent programmable dead time, programmable leading edge blanking (four steps), programmable 6-bit slope compensation and an integrated internal programmable oscillator for fixed-frequency applications. An integrated 8-bit reference voltage ( $V_{REF}$ ) is used for setting output voltage or current. An internal comparator supports quasi-resonant applications. Additional Capture and Compare modules are integrated for additional control, including enhanced dimming capability. The MCP19114/5 devices contain two internal LDOs. A 5V LDO is used to power the internal processor and provide 5V externally. This 5V external output can be used to supply the gate drive. An analog filter between the  $V_{DD}$  output and the  $V_{DR}$  input is recommended when implementing a 5V gate drive supplied from  $V_{DD}$ . Two 4.7  $\mu$ F capacitors are recommended with one placed as close as possible to  $V_{DD}$  and one as close as possible to  $V_{DR}$ , separated by a 10 $\Omega$  isolation resistor. DO NOT exceed 10  $\mu$ F on the  $V_{DD}$ . An external supply is required to implement higher gate drive voltages. By utilizing Microchip's TC1240A voltage doubler supplied from  $V_{DD}$  to provide  $V_{DR}$ , a 10V gate drive can be achieved. A 4V LDO is used to power the internal analog circuitry. The two low-side drivers can be used to operate the power converter in bidirectional mode, enabling the "shaping" of LED dimming current in LED applications or developing bidirectional power converters for battery-powered applications.

The MCP19114 is packaged in a 24-lead 4 mm x 4 mm QFN and offers an alternate-bonded 28-lead 5 mm x 5 mm QFN. The MCP19115 is packaged in a 28-lead 5 mm x 5 mm QFN.

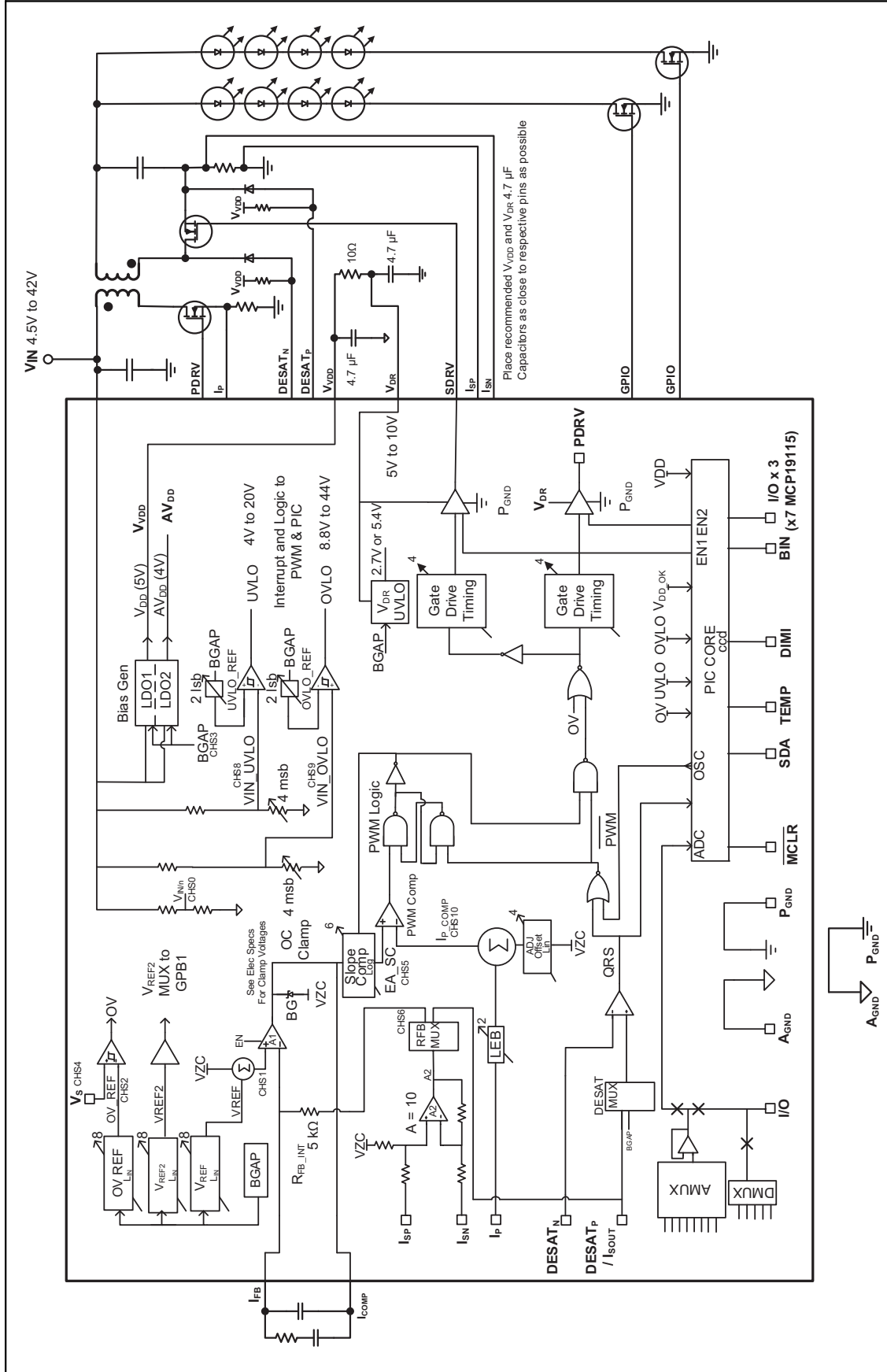
The ability for system designers to configure application-specific features allows the MCP19114/5 to be offered in smaller packages than currently available in integrated devices today. The General Purpose Input/Output (GPIO) of the MCP19114/5 can be configured to offer a status output; a device enable, to control an external switch; a switching frequency synchronization output or input or even a device status or "heartbeat" indicator. This flexibility allows the MCP19114/5 packages and complete solutions to be smaller, thereby saving size and cost of the system printed circuit boards.

With integrated features like output current adjustment and dynamic output voltage positioning, the MCP19114/5 family has the best in-class performance and highest integration level currently available.

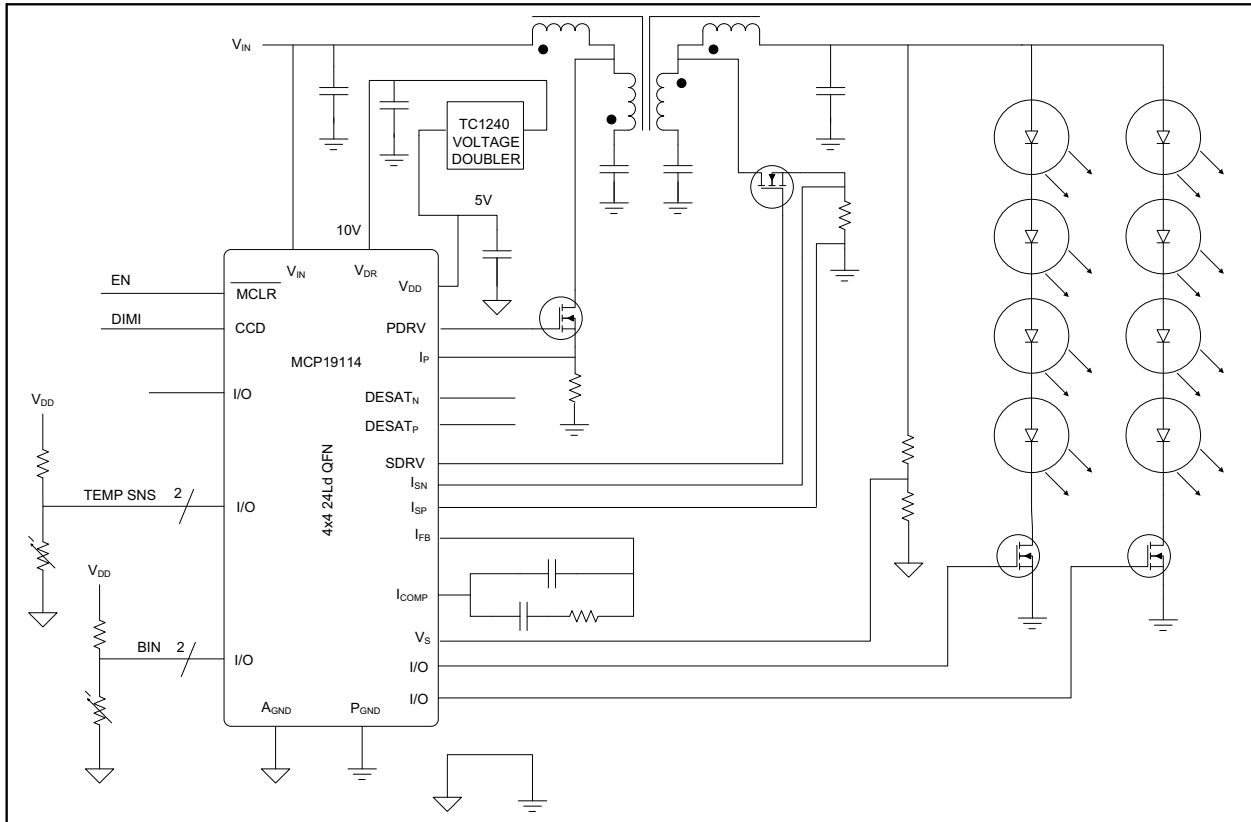
Power trains supported by this architecture include but are not limited to boost, flyback, quasi-resonant flyback, SEPIC, Ćuk, etc. Two low-side gate drivers are capable of sinking and sourcing 1A at 10V  $V_{DR}$ . With a 5V gate drive, the driver is capable of 0.5A sink and source. The user has the option to allow the  $V_{IN}$  UVLO to shut down the drivers by setting the UVLOEN bit. When this bit is not set, the device drivers will ride through the UVLO condition and continue to operate until  $V_{DR}$  reaches the gate drive UVLO value. This value is selectable at 2.7V or 5.4V and is always enabled. An internal reset for the microcontroller core is set to 2.0V. An internal comparator module is used to sense the desaturation of the flyback transformer to synchronize switching for quasi-resonant applications. The operating input voltage for normal device operation ranges from 4.5V to 42V with an absolute maximum of 44V. The maximum transient voltage is 48V for 500 ms. An I<sup>2</sup>C serial bus is used for device communications from the PWM controller to the system.

# MCP19114/5

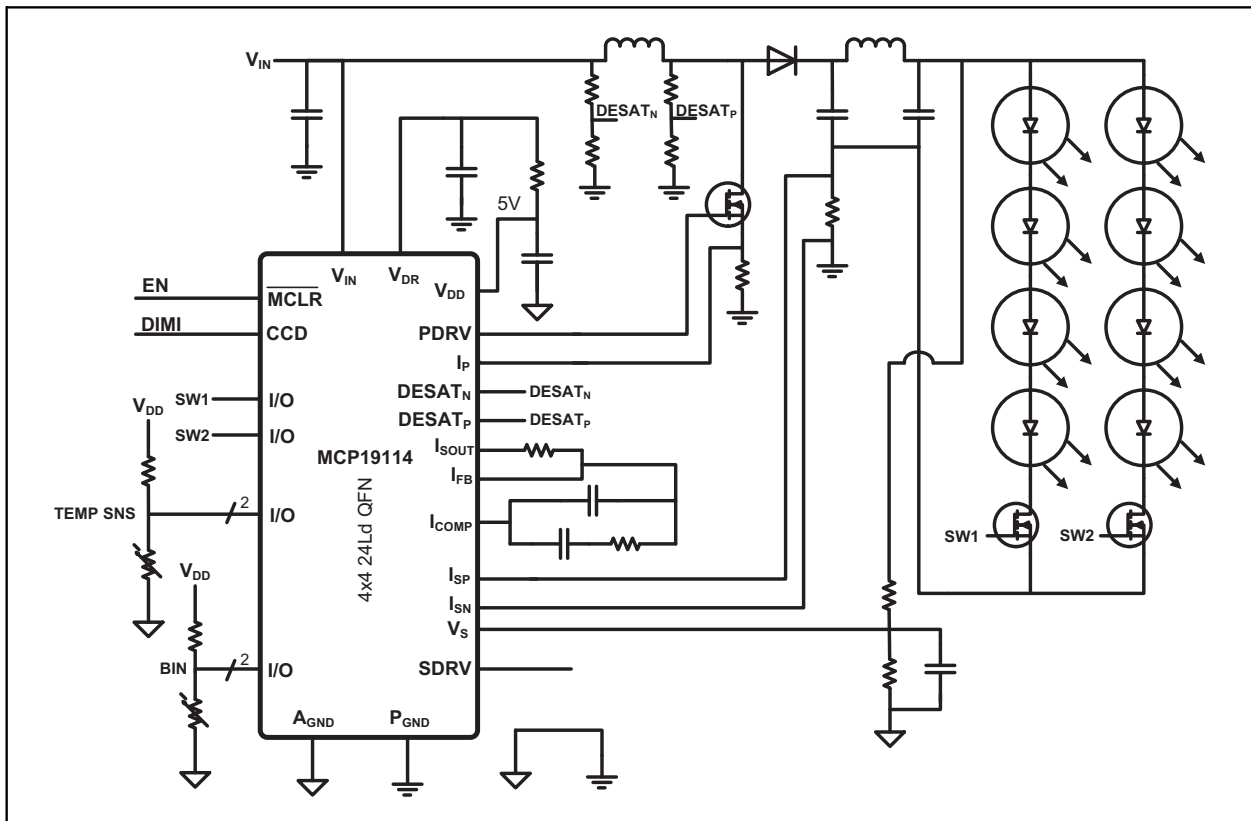
FIGURE 1-1: MCP19114/5 FLYBACK SYNCHRONOUS QUASI-RESONANT BLOCK DIAGRAM



**FIGURE 1-2: MCP19114 ĆUK SYNCHRONOUS POSITIVE OUTPUT APPLICATION DIAGRAM**



**FIGURE 1-3: MCP19114 BOOST QUASI-RESONANT APPLICATION DIAGRAM**





## 2.0 PIN DESCRIPTION

The 24-lead MCP19114 and 28-lead MCP19115 devices feature pins that have multiple functions associated with each pin. [Table 2-1](#) provides a description of the different functions. Refer to [Section 2.1 “Detailed Pin Functional Description”](#) for more detailed information.

**TABLE 2-1: MCP19114/5 PINOUT DESCRIPTION**

Name	Function	Input Type	Output Type	Description
GPA0/AN0/TEST_OUT	GPA0	TTL	CMOS	General-purpose I/O
	AN0	AN	—	A/D Channel 0 input
	TEST_OUT	—	—	Internal analog/digital signal multiplexer output <sup>(1)</sup>
GPA1/AN1/CLKPIN	GPA1	TTL	CMOS	General-purpose I/O
	AN1	AN	—	A/D Channel 1 input
	CLKPIN	ST	CMOS	Switching frequency clock input or output <sup>(2)</sup>
GPA2/AN2/T0CKI/INT	GPA2	ST	CMOS	General-purpose I/O
	AN2	AN	—	A/D Channel 2 input
	T0CKI	ST	—	Timer0 clock input
	INT	ST	—	External interrupt
GPA3/AN3	GPA3	TTL	CMOS	General-purpose I/O
	AN3	AN	—	A/D Channel 3 input
GPA5/ $\overline{\text{MCLR}}$	GPA5	TTL	—	General-purpose input only
	$\overline{\text{MCLR}}$	ST	—	Main Clear with internal pull-up
GPA6/CCD/ICSPDAT	GPA6	ST	CMOS	General-purpose I/O
	ICSPDAT	ST	CMOS	Serial Programming Data I/O
	CCD	ST	CMOS	Single Compare output. Dual Capture input
GPA7/SCL/ICSPCLK	GPA7	ST	OD	General-purpose open drain I/O
	SCL	I <sup>2</sup> C™	OD	I <sup>2</sup> C clock
	ICSPCLK	ST	—	Serial Programming Clock
GPB0/SDA	GPB0	TTL	OD	General-purpose I/O
	SDA	I <sup>2</sup> C™	OD	I <sup>2</sup> C data input/output
GPB1/AN4/VREF2	GPB1	TTL	CMOS	General-purpose I/O
	AN4	AN	—	A/D Channel 4 input
	VREF2	—	AN	VREF2 DAC Output <sup>(3)</sup>
GPB4/AN5/ICSPDAT (MCP19115 Only)	GPB4	TTL	CMOS	General-purpose I/O
	AN5	AN	—	A/D Channel 5 input
	ICSPDAT	ST	CMOS	Primary Serial Programming Data I/O
GPB5/AN6/ICSPCLK (MCP19115 Only)	GPB5	TTL	CMOS	General-purpose I/O
	AN6	AN	—	A/D Channel 6 input
	ICSPCLK	ST	—	Primary Serial Programming Clock

**Legend:** AN = Analog input or output CMOS = CMOS compatible input or output OD = Open-Drain  
TTL = TTL compatible input ST = Schmitt Trigger input with CMOS levels I<sup>2</sup>C = Schmitt Trigger input with I<sup>2</sup>C

- Note 1:** The Analog/Digital Debug Output is selected through the control of the ABECON register.
- 2:** Selected when functioning as main or secondary by proper configuration of the MSC<1:0> bits in the MODECON register.
- 3:** VREF2 output selected when configured as main by proper configuration of the MSC<1:0> bits in the MODECON register.

# MCP19114/5

**TABLE 2-1: MCP19114/5 PINOUT DESCRIPTION (CONTINUED)**

Name	Function	Input Type	Output Type	Description
GPB6/AN7 (MCP19115 Only)	GPB6	TTL	CMOS	General-purpose I/O
	AN7	AN	—	A/D Channel 7 input
GPB7/CCD (MCP19115 Only)	GPB7	TTL	CMOS	General-purpose I/O
	CCD	ST	CMOS	Single Compare output. Dual Capture input.
V <sub>IN</sub>	V <sub>IN</sub>	—	—	Device input supply voltage
V <sub>DD</sub>	V <sub>DD</sub>	—	—	Internal +5V LDO output pin
V <sub>DR</sub>	V <sub>DR</sub>	—	—	Gate drive supply voltage
A <sub>GND</sub>	A <sub>GND</sub>	—	—	Small signal quiet ground
P <sub>GND</sub>	P <sub>GND</sub>	—	—	Large signal power ground
PDRV	PDRV	—	—	Primary Low-Side MOSFET gate drive
SDRV	SDRV	—	—	Secondary Low-Side MOSFET gate drive
I <sub>P</sub>	I <sub>P</sub>	—	—	Primary input current sense
I <sub>SN</sub>	I <sub>SN</sub>	—	—	Secondary current sense amplifier negative input
I <sub>SP</sub>	I <sub>SP</sub>	—	—	Secondary current sense amplifier positive input
V <sub>S</sub>	V <sub>S</sub>	—	—	Sense voltage compared to overvoltage DAC
I <sub>FB</sub>	I <sub>FB</sub>	—	—	Error amplifier feedback input
I <sub>COMP</sub>	I <sub>COMP</sub>	—	—	Error amplifier output
DESAT <sub>P</sub> /I <sub>SOUT</sub>	DESAT <sub>P</sub> /I <sub>SOUT</sub>	—	—	DESAT <sub>P</sub> : DESAT detect comparator positive input I <sub>SOUT</sub> : Secondary current sense amplifier output
DESAT <sub>N</sub>	DESAT <sub>N</sub>	—	—	DESAT <sub>N</sub> : DESAT detect comparator negative input

**Legend:** AN = Analog input or output CMOS = CMOS compatible input or output OD = Open-Drain  
TTL = TTL compatible input ST = Schmitt Trigger input with CMOS levels I<sup>2</sup>C = Schmitt Trigger input with I<sup>2</sup>C

- Note 1:** The Analog/Digital Debug Output is selected through the control of the ABECON register.
- 2:** Selected when functioning as main or secondary by proper configuration of the MSC<1:0> bits in the MODECON register.
- 3:** VREF2 output selected when configured as main by proper configuration of the MSC<1:0> bits in the MODECON register.

## 2.1 Detailed Pin Functional Description

### 2.1.1 GPA0 PIN

GPA0 is a general-purpose TTL input or CMOS output pin whose data direction is controlled in TRISGPA. An internal weak pull-up and interrupt-on-change are also available.

AN0 is an input to the A/D. To configure this pin to be read by the A/D on channel 0, bits TRISA0 and ANSA0 must be set.

The ABECON register can be configured to set this pin to the TEST\_OUT function. It is a buffered output of the internal analog or digital signal multiplexers. Analog signals present on this pin are controlled by the ADCON0 register. Digital signals present on this pin are controlled by the ABECON register.

### 2.1.2 GPA1 PIN

GPA1 is a general-purpose TTL input or CMOS output pin whose data direction is controlled in TRISGPA. An internal weak pull-up and interrupt-on-change are also available.

AN1 is an input to the A/D. To configure this pin to be read by the A/D on channel 1, bits TRISA1 and ANSA1 must be set.

When the MCP19114/5 are configured as a main or secondary, this pin is configured to be the switching frequency synchronization input or output (CLKPIN).

### 2.1.3 GPA2 PIN

GPA2 is a general-purpose ST input or CMOS output pin whose data direction is controlled in TRISGPA. An internal weak pull-up and interrupt-on-change are also available.

AN2 is an input to the A/D. To configure this pin to be read by the A/D on channel 2, bits TRISA2 and ANSA2 must be set.

When bit T0CS is set in the OPTION\_REG register, the T0CKI function is enabled. Refer to [Section 22.0 “Timer0 Module”](#) for more information.

GPA2 can also be configured as an external interrupt by setting the INTE bit. Refer to [Section 14.2 “GPA2/INT Interrupt”](#) for more information.

### 2.1.4 GPA3 PIN

GPA3 is a general-purpose TTL input or CMOS output pin whose data direction is controlled in TRISGPA. An internal weak pull-up and interrupt-on-change are also available.

AN3 is an input to the A/D. To configure this pin to be read by the A/D on channel 3, bits TRISA3 and ANSA3 must be set.

### 2.1.5 GPA5 PIN

GPA5 is a general-purpose TTL input only pin. An internal weak pull-up and interrupt-on-change are also available.

For programming purposes, this pin is to be connected to the  $\overline{\text{MCLR}}$  pin of the serial programmer. Refer to [Section 30.0 “In-Circuit Serial Programming™ \(ICSP™\)”](#) for more information.

This pin is  $\overline{\text{MCLR}}$  when the MCLRE bit is set in the CONFIG register.

### 2.1.6 GPA6 PIN

GPA6 is a general-purpose CMOS output ST input pin whose data direction is controlled in TRISGPA.

ICSPDAT is a serial programming data I/O function. This can be used in conjunction with ICSPCLK to serial program the device.

GPA6 is part of the CCD Module. For more information, refer to [Section 26.0 “Dual Capture/Compare \(CCD\) Module”](#).

### 2.1.7 GPA7 PIN

GPA7 is a true open drain general-purpose pin whose data direction is controlled in TRISGPA. There is no internal connection between this pin and device  $V_{DD}$ . This pin does not have a weak pull-up, but interrupt-on-change is available.

This pin is the primary ICSPCLK input. This can be used in conjunction with ICSPDAT to serial program the device.

When the MCP19114/5 is configured for I<sup>2</sup>C communication, [Section 28.2 “I<sup>2</sup>C Mode Overview”](#), GPA7 functions as the I<sup>2</sup>C clock (SCL). This pin must be configured as an input to allow proper operation.

# MCP19114/5

---

## 2.1.8 GPB0 PIN

GPB0 is a true open-drain general-purpose pin whose data direction is controlled in TRISGPB. There is no internal connection between this pin and device  $V_{DD}$ . This pin does not have a weak pull-up, but interrupt-on-change is available. When the MCP19114/5 are configured for I<sup>2</sup>C communication, [Section 28.2 “I<sup>2</sup>C Mode Overview”](#), GPB0 functions as the I<sup>2</sup>C data (SDA). This pin must be configured as an input to allow proper operation.

## 2.1.9 GPB1 PIN

GPB1 is a general-purpose TTL input or CMOS output pin whose data direction is controlled in TRISGPB. An internal weak pull-up and interrupt-on-change are also available.

AN4 is an input to the A/D. To configure this pin to be read by the A/D on channel 4, bits TRISB1 and ANSB1 must be set.

When the MCP19114/5 are configured as a main, this pin is configured to be the  $V_{REF2}$  DAC output.

## 2.1.10 GPB4 PIN (MCP19115 ONLY)

GPB4 is a general-purpose TTL input or CMOS output pin whose data direction is controlled in TRISGPB. An internal weak pull-up and interrupt-on-change are also available.

AN5 is an input to the A/D. To configure this pin to be read by the A/D on channel 5, bits TRISB4 and ANSB4 must be set.

ICSPDAT is the primary serial programming data I/O function. This is used in conjunction with ICSPCLK to serial program the device.

## 2.1.11 GPB5 PIN (MCP19115 ONLY)

GPB5 is a general-purpose TTL input or CMOS output pin whose data direction is controlled in TRISGPB. An internal weak pull-up and interrupt-on-change are also available.

AN6 is an input to the A/D. To configure this pin to be read by the A/D on channel 6, bits TRISB5 and ANSB5 must be set.

ICSPCLK is the primary serial programming clock function. This is used in conjunction with ICSPDAT to serial program the device.

## 2.1.12 GPB6 PIN (MCP19115 ONLY)

GPB6 is a general-purpose TTL input or CMOS output pin whose data direction is controlled in TRISGPB. An internal weak pull-up and interrupt-on-change are also available.

AN7 is an input to the A/D. To configure this pin to be read by the A/D on channel 7, bits TRISB6 and ANSB6 must be set.

## 2.1.13 GPB7 PIN (MCP19115 ONLY)

GPB7 is a general-purpose TTL input or CMOS output pin whose data direction is controlled in TRISGPB. An internal weak pull-up and interrupt-on-change are also available.

GPB7 is part of the CCD Module. For more information, refer to [Section 26.0 “Dual Capture/Compare \(CCD\) Module”](#).

## 2.1.14 DESAT<sub>N</sub> PIN

Internal comparator inverting input. Used during quasi-resonant operation for desaturation detection.

## 2.1.15 DESAT<sub>P</sub>/I<sub>SOUT</sub> PIN

When using the internal comparator for desaturation detection during quasi-resonant operation, this pin connects to the comparator's noninverting input. The output of the remote sense current sense amplifier gets configured to utilize the 5 k $\Omega$  internal feedback resistor. When not utilizing the internal comparator and not configured to use the 5 k $\Omega$  internal feedback resistor, the current sense amplifier gets connected to this pin and is I<sub>SOUT</sub>.

## 2.1.16 I<sub>SP</sub> PIN

The noninverting input to internal current sense amplifier, typically used to differentially remote sense secondary current. This pin can be internally pulled-up to  $V_{DD}$  by setting the <ISPUEN> bit in the PE1 register.

## 2.1.17 I<sub>SN</sub> PIN

The inverting input to internal current sense amplifier, typically used to differentially remote sense secondary current.

## 2.1.18 I<sub>P</sub> PIN

Primary input current sense for current mode control and peak current limit. For voltage mode control, this pin can be connected to an artificial ramp.

## 2.1.19 A<sub>GND</sub> PIN

A<sub>GND</sub> is the small signal ground connection pin. This pin should be connected to the exposed pad on the bottom of the package.

## 2.1.20 P<sub>GND</sub> PIN

Connect all large signal level ground returns to P<sub>GND</sub>. These large-signal level ground traces should have a small loop area and minimal length to prevent coupling of switching noise to sensitive traces.

## 2.1.21 SDRV PIN

The gate of the low-side secondary MOSFET is connected to SDRV. The PCB trace connecting SDRV to the gate must be of minimal length and appropriate width to handle the high-peak drive current and fast voltage transitions.

## 2.1.22 PDRV PIN

The gate of the low-side primary MOSFET is connected to PDRV. The PCB tracing connecting PDRV to the gate must be of minimal length and appropriate width to handle the high-peak drive currents and fast voltage transitions.

## 2.1.23 $V_{DR}$ PIN

The supply for the low-side drivers is connected to this pin and has an absolute maximum rating of +13.5V. This pin can be connected by an RC filter to the  $V_{DD}$  pin.

## 2.1.24 $V_{DD}$ PIN

The output of the internal +5.0V regulator is connected to this pin. It is recommended that a 1.0  $\mu$ F minimum/10  $\mu$ F maximum bypass capacitor be connected between this pin and the GND pin of the device. The bypass capacitor should be physically placed close to the device.

## 2.1.25 $V_{IN}$ PIN

Input power connection pin of the device. It is recommended that capacitance be placed between this pin and the GND pin of the device.

## 2.1.26 $V_S$ PIN

Analog input connected to the noninverting input of the overvoltage comparator. Typically used as output voltage overvoltage protection. The inverting input of the overvoltage comparator is controlled by the OV REF DAC.

## 2.1.27 $I_{FB}$ PIN

Error amplifier inverting feedback connection.

## 2.1.28 $I_{COMP}$ PIN

Error amplifier output signal.

## 2.1.29 EXPOSED PAD (EP)

It is recommended to connect the exposed pad to  $A_{GND}$ .

**Note:** Upon initial power-up, the device may apply a weak pull-up effect on GPIO pads that can be configured as analog inputs. Once the external capacitance on the 5V ( $V_{DD}$ ) is charged and the external 5V regulator exceeds the internal 4V regulator ( $AV_{DD}$ ) the pull-up effect is shut off. To prevent this parasitic power-up effect, a pull-down resistor of 10 k $\Omega$  maximum is recommended for GPIO with analog input capability. This applies to GPA0, GPA1, GPA2, GPA3, GPB1, GPB4 (MCP19115 only), GPBD (MCP19115 only), GPB6 (MCP19115 only).

# MCP19114/5

---

NOTES:

## 3.0 FUNCTIONAL DESCRIPTION

### 3.1 Linear Regulators

The operating input voltage for the MCP19114/5 ranges from 4.5V to 42V. There are two internal Low Dropout (LDO) voltage regulators. A 5V LDO is used to power the internal processor and provide a 5V output for external usage. A second LDO ( $AV_{DD}$ ) is a 4V regulator and is used to power the remaining analog internal circuitry. Using an LDO to power the MCP19114/5, the input voltage is monitored using a resistor divider. The MCP19114/5 also incorporate brown-out protection. Refer to [Section 13.3 “Brown-Out Reset \(BOR\)”](#) for details. The PIC core will reset at  $2.0V V_{DD}$ .

### 3.2 Output Drive Circuitry

The MCP19114/5 integrate two low-side drivers used to drive the external low-side N-Channel power MOSFETs for synchronous applications, such as synchronous flyback and synchronous Ćuk converters. Both converter types can be configured for nonsynchronous control by replacing the synchronous FET with a diode. The flyback is also capable of quasi-resonant operation. The MCP19114/5 can also be configured as a Boost or SEPIC switch-mode power supply (SMPS). In Boost mode, nonsynchronous fixed-frequency or nonsynchronous quasi-resonant control can be utilized. This device can also be used as a SEPIC SMPS in fixed-frequency nonsynchronous mode. The low-side drive is capable of switching the MOSFET at high frequency in typical SMPS applications. The gate drive ( $V_{DR}$ ) can be supplied from 5V to 10V. The drive strength is capable of up to 1A sink/source with 10V gate drive and down to 0.5A sink/source with 5V gate drive. A programmable delay is used to set the gate turn-on dead time. This prevents overlap and shoot-through currents that can decrease the converter efficiency. Each driver shall have its own EN input controlled by the microcontroller core.

### 3.3 Current Sense

The output current is differentially sensed by the MCP19114/5. In low-current applications, this helps maintain high system efficiency by minimizing power dissipation in current sense resistors. Differential current sensing also minimizes external ground shift errors. The internal differential amplifier has a typical gain of 10 V/V.

### 3.4 Peak Current Mode

The MCP19114/5 is a peak current mode controlled device with the current sensing element in series with the primary side MOSFET. Programmable leading edge blanking can be implemented to blank current spikes resulting from turn on. The blank time is controlled from the ICLEBCON register.

Primary input current offset adjust is also available via user programmability, thus limiting peak primary input current. This offset adjustment is controlled by the ICOACON register.

### 3.5 Magnetic Desaturation Detection

An internal comparator module is used to detect power train magnetic desaturation for quasi-resonant applications. The comparator output is used as a signal to synchronize the start of the next switching cycle. This operation differs from the traditional fixed-frequency application. The DESAT comparator output can be enabled and routed into the PWM circuitry or disabled for fixed-frequency applications. During Quasi-Resonant (QR) operation, the DESAT comparator output is enabled and combined with a pair of one-shot timers and a flip-flop to sustain PWM operation. Timer2 (TMR2) must be initialized and set to run at a frequency lower than the minimum QR operating frequency. When the CDSWDE bit is set in the DESATCON register, TMR2 serves as a watchdog.

An example of the order of events for a Flyback SMPS in synchronous QR operation is as follows:

The primary gate drive (PDRV) goes high. The output of the DESAT comparator is high. The primary current increases until  $I_p$  reaches the level of the Error Amp and causes PWM comparator output to go low. The PDRV goes low and the secondary gate drive (SDRV) goes high (after programmed dead time). This triggers the first one-shot to send a 200 ns pulse that resets the flip-flop and TMR2 (WDM\_RESET). The 200 ns one-shot pulse design is implemented to mask out any spurious transitions at the DESAT comparator output caused by switching noise. The SDRV stays high until the secondary winding completely runs out of energy, at which time the output capacitance begins to source current back through the winding and secondary MOSFET. The DESAT comparator detects this and its output goes low. This sets the flip-flop and triggers the second one-shot to send a 33 ns pulse to the control logic, causing the SDRV to go low and the PDRV to go high (after programmed dead time). The cycle then repeats. If, for any reason, the reset one-shot does not fire, the WDM\_RESET signal stays low and TMR2 is allowed to run until the PWM signal kicks off a new cycle.

The desaturation comparator module is controlled by the DESATCON register.

# MCP19114/5

---

## 3.6 Start-Up

To control the output current during start-up, the MCP19114/5 have the capability to monotonically increase system current, at the user's discretion. This is accomplished through the control of the reference voltage DAC ( $V_{REF}$ ). The entire start-up profile is under user control via software.

## 3.7 Driver Control Circuitry

The internal driver control circuitry of the MCP19114/5 is comprised of an error amplifier (EA), a high-speed comparator and a latch similar to the MCP1631.

The error amplifier generates the control voltage used by the high-speed PWM comparator. There is an internally generated reference voltage,  $V_{REF}$ . The difference or error between this internal reference voltage and the actual feedback voltage is the control voltage. Some applications will implement parked times where the gate drives are not active. For example, when changing between LED strings and after voltage repositioning, the user can disable the gate drives and park the error amplifier output low. During the time when the EA is parked, its output will be clamped low ( $1 * BG$ ) such that it is in a known state when reactivated. Before the output switches are re-enabled, it may be necessary to re-enable the EA some time prior to enabling the output drivers. This prior-EA enable time will allow the EA to slew towards the intended target and prevent the secondary switch from turning on for an extensive period of time, unintentionally discharging the output capacitance and pulling the output voltage down. External compensation is used to stabilize the control system.

Since the MCP19114/5 are peak current mode controlled, the comparator compares the primary peak current waveform ( $I_p$ ) that is based upon the current flowing in the primary side with the error amplifier control output voltage. This error amplifier control output voltage also has user-programmable slope compensation subtracted from it. In fixed-frequency applications, the slope compensation signal is generated to be greater than 1/2 the down slope of the inductor current waveform and is controlled by the SLPCRCON register. Offset adjust ability is also available to set the peak current limit of the primary switch for overcurrent protection. The range of the slope compensation ramp is specified. When the current sense signal reaches the level of the control voltage minus slope compensation, the on cycle is terminated and the external switch is latched off until the beginning of the next cycle which begins at the next clock cycle.

To improve current regulation at low levels, a pedestal voltage (VZC) set to the BG (1.23V) is implemented. This virtual ground serves as the reference for the error amplifier (A1), slope compensation, current sense amplifier (A2) and the  $I_p$  offset adjustment.

An S-R latch (Set-Rest-Flip-Flop) is used to prevent the PWM circuitry from turning the external switch on until the beginning of the next clock cycle.

## 3.8 Fixed PWM Frequency

The switching frequency of the MCP19114/5 while not controlled by the DESAT comparator output is generated by using a single edge of the 8 MHz internal clock. The user sets the MCP19114/5 switching frequency by configuring the PR2 register. The maximum allowable PDRV duty cycle is adjustable and is controlled by the PWMRL register. The programmable range of the switching frequency will be 31.25 kHz to 2 MHz. The available switching frequency below 2 MHz is defined as  $F_{SW} = 8 \text{ MHz}/N$ , where N is a whole number between  $4 \leq N \leq 256$ . Refer to [Section 25.0 "Enhanced PWM Module"](#) for details.

## 3.9 $V_{REF}$

This reference is used to generate the voltage connected to the noninverting input of the error amplifier. The entire analog control loop is raised to a virtual ground pedestal equal to the Band Gap voltage (1.23V).

## 3.10 OV REF

This reference is used to set the output overvoltage set point. It is compared to the  $V_S$  input pin, which is typically proportional to the output voltage based on a resistor divider. OV protection, when enabled, can be set to a value for the protection of system circuitry or it can be used to "ripple" regulate the converter output voltage for repositioning purposes. For details, refer to [Register 6-4](#).

## 3.11 Independent Gate Drive with Programmable Delay

Two independent low-side gate drives are integrated for synchronous applications. Programmable delay has been implemented to improve efficiency and prevent shoot-through currents. Each gate drive has an independent enable input controlled by the PE1 register and programmable dead time controlled by the DEADCON register.

## 3.12 Temperature Management

### 3.12.1 THERMAL SHUTDOWN

To protect the MCP19114/5 from overtemperature conditions, a 150°C junction temperature thermal shutdown has been implemented. When the junction temperature reaches this limit, the device disables the output drivers. In Shutdown mode, both PDRV and SDRV outputs are disabled and the overtemperature flag (OTIF) is set in the PIR2 register. When the junction temperature is reduced by 20°C to 130°C, the MCP19114/5 can resume normal output drive switching.

### 3.12.2 TEMPERATURE REPORTING

The MCP19114/5 have a second on-chip temperature monitoring circuit that can be read by the ADC through the analog test MUX. Refer to [Section 20.0 “Internal Temperature Indicator Module”](#) for details on this internal temperature monitoring circuit.

# MCP19114/5

## 4.0 ELECTRICAL CHARACTERISTICS

### 4.1 ABSOLUTE MAXIMUM RATINGS †

$V_{IN} - V_{GND}$ (operating)	-0.3V to +44V
$V_{IN}$ (transient < 500 ms)	+48V
PDRV	(GND - 0.3V) to ( $V_{DR} + 0.3V$ )
SDRV	(GND - 0.3V) to ( $V_{DR} + 0.3V$ )
$V_{DD}$ Internally Generated	+6.5V
$V_{DR}$ Externally Generated	+13.5V
Voltage on MCLR with respect to GND	-0.3V to +13.5V
Maximum voltage: any other pin	+( $V_{GND} - 0.3V$ ) to ( $V_{DD} + 0.3V$ )
Maximum output current sunk by any single I/O pin	25 mA
Maximum output current sourced by any single I/O pin	25 mA
Maximum current sunk by all GPIO	90 mA
Maximum current sourced by all GPIO	35 mA
Storage Temperature	-65°C to +150°C
Maximum Junction Temperature	+150°C
Operating Junction Temperature	-40°C to +125°C
ESD protection on all pins (HBM)	2.0 kV
CDM protection on corner pins	±750V
CDM protection on other pins	±500V

† **Notice:** Stresses above those listed under “Maximum Ratings” may cause permanent damage to the device. This is a stress rating only and functional operation of the device at those or any other conditions above those indicated in the operational listings of this specification is not implied. Exposure to maximum rating conditions for extended periods may affect device reliability.

### 4.2 Electrical Characteristics

**Electrical Specifications:** Unless otherwise noted,  $V_{IN} = 12V$ ,  $F_{SW} = 150$  kHz,  $T_A = +25^\circ C$ . **Boldface** specifications apply over the  $T_A$  range of  $-40^\circ C$  to  $+125^\circ C$ .

Parameters	Sym.	Min.	Typ.	Max.	Units	Conditions
<b>Input</b>						
Input Voltage	$V_{IN}$	<b>4.5</b>	—	<b>42</b>	V	
Input Quiescent Current	$I_Q$	—	5	<b>6.5</b>	mA	$V_{IN} = 12V$ , Not switching
		—	5	<b>6.75</b>		$V_{IN} = 20V$ , Not switching
Shutdown Current	$I_{SHDN}$	—	30	<b>150</b>	μA	$V_{IN} = 12V$ <b>(Note 1)</b>
<b>Linear Regulator <math>V_{DD}</math></b>						
Internal Circuitry Bias Voltage	$V_{DD}$	<b>4.75</b>	5.0	<b>5.5</b>	V	$V_{IN} = 6.0V$ to 42V
Maximum External $V_{DD}$ Output Current	$I_{DD\_OUT}$	<b>35</b>	—	—	mA	$V_{IN} = 6.0V$ to 42V <b>(Note 4)</b>
Line Regulation	$\frac{\Delta V_{DD\_OUT}}{(V_{DD\_OUT} * \Delta V_{IN})}$	<b>-0.1</b>	0.002	<b>0.1</b>	%/V	$(V_{DD} + 1.0V) \leq V_{IN} \leq 20V$ <b>(Note 4)</b>
Load Regulation	$\frac{\Delta V_{DD\_OUT}}{V_{DD\_OUT}}$	<b>-0.65</b>	0.1	<b>+0.65</b>	%	$I_{DD\_OUT} = 1$ mA to 20 mA <b>(Note 4)</b>

**Note 1:** Refer to [Section 15.0 “Power-Down Mode \(Sleep\)”](#).

**2:** These parameters are characterized, but not production tested.

**3:** Ensured by design, not production tested.

**4:**  $V_{DD}$  is the voltage present at the  $V_{DD}$  pin.

**5:** Dropout voltage is defined as the input-to-output voltage differential at which the output voltage drops 2% below its nominal value measured at a 1V differential between  $V_{IN}$  and  $V_{DD}$ .

**6:** The  $V_{DD}$  LDO will limit the total source current to a maximum of 35 mA. Individually each pin can source a maximum of 15 mA.

## 4.2 Electrical Characteristics (Continued)

**Electrical Specifications:** Unless otherwise noted,  $V_{IN} = 12V$ ,  $F_{SW} = 150\text{ kHz}$ ,  $T_A = +25^\circ\text{C}$ . **Boldface** specifications apply over the  $T_A$  range of  $-40^\circ\text{C}$  to  $+125^\circ\text{C}$ .

Parameters	Sym.	Min.	Typ.	Max.	Units	Conditions
Output Short-Circuit Current	$I_{DD\_SC}$	—	50	—	mA	$V_{IN} = (V_{DD} + 1.0V)$ (Note 4)
Dropout Voltage	$V_{IN} - V_{DD}$	—	0.3	<b>0.5</b>	V	$I_{DD\_OUT} = 20\text{ mA}$ , (Notes 4 and 5)
Power Supply Rejection Ratio	$PSRR_{LDO}$	—	60	—	dB	$f \leq 1000\text{ Hz}$ , $I_{DD\_OUT} = 25\text{ mA}$ $C_{IN} = 0\text{ }\mu\text{F}$ , $C_{DD} = 1\text{ }\mu\text{F}$
<b>Linear Regulator <math>AV_{DD}</math></b>						
Internal Analog Supply Voltage	$AV_{DD}$	—	4.0	—	V	
Band Gap Voltage	BG	—	1.23	—	V	Trimmed at 1.0% tolerance
Band Gap Tolerance	$BG_{TOL}$	<b>-2.5</b>	—	<b>+2.5</b>	%	
<b>Input UVLO Voltage</b>						
UVLO Range	$UVLO_{ON}$	<b>4.0</b>	—	<b>20</b>	V	$V_{IN}$ Falling
UVLO <sub>ON</sub> Trip Tolerance	$UVLO_{TOL}$	<b>-14</b>	—	<b>14</b>	%	$V_{IN}$ Falling UVLO trip set to 9V $V_{INUVLO} = 0x21h$
UVLO Hysteresis	$UVLO_{HYS}$	<b>1</b>	4	<b>8</b>	%	Hysteresis is based upon the $UVLO_{ON}$ setting UVLO trip set to 9V $V_{INUVLO} = 0x21h$
Resolution	nbits	—	6	—	Bits	Logarithmic Steps
<b>UVLO Comparator</b>						
Input-to-Output Delay	TD	—	5	—	$\mu\text{s}$	100 ns rise time to 1V overdrive on $V_{IN}$ $V_{IN} > UVLO$ to flag set
<b>Input OVLO Voltage</b>						
OVLO Range	$OVLO_{ON}$	<b>8.8</b>	—	<b>44</b>	V	$V_{IN}$ Rising
OVLO <sub>ON</sub> Trip Tolerance	$OVLO_{TOL}$	<b>-14</b>	—	<b>14</b>	%	$V_{IN}$ Rising OVLO trip set to 18V $V_{INOVLO} = 0x1Fh$
OVLO Hysteresis	$OVLO_{HYS}$	<b>1</b>	5	<b>8</b>	%	Hysteresis is based upon the $OVLO_{ON}$ setting OVLO trip set to 18V $V_{INOVLO} = 0x1Fh$
Resolution	nbits	—	6	—	Bits	Logarithmic Steps

**Note 1:** Refer to [Section 15.0 “Power-Down Mode \(Sleep\)”](#).

**2:** These parameters are characterized, but not production tested.

**3:** Ensured by design, not production tested.

**4:**  $V_{DD}$  is the voltage present at the  $V_{DD}$  pin.

**5:** Dropout voltage is defined as the input-to-output voltage differential at which the output voltage drops 2% below its nominal value measured at a 1V differential between  $V_{IN}$  and  $V_{DD}$ .

**6:** The  $V_{DD}$  LDO will limit the total source current to a maximum of 35 mA. Individually each pin can source a maximum of 15 mA.

# MCP19114/5

## 4.2 Electrical Characteristics (Continued)

**Electrical Specifications:** Unless otherwise noted,  $V_{IN} = 12V$ ,  $F_{SW} = 150\text{ kHz}$ ,  $T_A = +25^\circ\text{C}$ . **Boldface** specifications apply over the  $T_A$  range of  $-40^\circ\text{C}$  to  $+125^\circ\text{C}$ .

Parameters	Sym.	Min.	Typ.	Max.	Units	Conditions
<b>OVLO Comparator</b>						
Input-to-Output Delay	TD	—	5	—	$\mu\text{s}$	100 ns rise time to 1V overdrive on $V_{IN}$ $V_{IN} > \text{OVLO}$ to flag set
<b>Output OV DAC</b>						
Resolution	nbits	—	8	—	Bits	Linear DAC
Full Scale Range	FSR	0	—	$2 * \text{BG}$	V	
Tolerance	$\text{OVREF}_{\text{TOL}}$	<b>-10</b>	—	<b>+10</b>	%	Full Scale, Code = 0xFF
<b>Output OV Comparator</b>						
OV Hysteresis	$\text{OV}_{\text{HYS}}$	—	50	—	mV	
Input Bias Current	$I_{\text{BIAS}}$	—	$\pm 1$	—	$\mu\text{A}$	
Common-Mode Input Voltage Range	$V_{\text{CMR}}$	0	—	3.0	V	<b>Note 3</b>
Input-to-Output Delay	TD	—	200	—	ns	<b>Note 3</b> 100 ns rise time to 1V overdrive on $V_S$ $V_S > \text{OV}$ to flag set
<b>Voltage Reference DAC (<math>V_{\text{REF}}</math>)</b>						
Resolution	nbits	—	8	—	V/V	Linear DAC
Full-Scale Range	FSR	BG	—	$2 * \text{BG}$	V	Pedestal set to BG
<b>Voltage Reference DAC (<math>V_{\text{REF}2}</math>)</b>						
Resolution	nbits	—	8	—	Bits	Linear DAC
Full-Scale Range	FSR	0	—	BG	V	
Sink Current	$I_{\text{SINK}}$	<b>-3</b>	—	—	mA	$V_{\text{REF}2} = 0V$ , $R_L = 300\Omega$ to BG
Source Current	$I_{\text{SOURCE}}$	<b>3</b>	—	—	mA	$V_{\text{REF}2} = \text{BG}$ , $R_L = 300\Omega$ to GND
Tolerance	$\text{VREF}2_{\text{TOL}}$	<b>-10</b>	—	<b>+10</b>	%	Full Scale, Code = 0xFF
<b>Current Sense Amplifier (A2)</b>						
Amplifier PSRR	PSRR	—	65	—	dB	$V_{\text{CM}} = 2 * \text{BG}$
Closed-Loop Voltage Gain	$\text{A}2_{\text{VCL}}$	—	10	—	V/V	$R_L = 5\text{ k}\Omega$ to 2.048V, $100\text{ mV} < \text{A}2 < \text{AV}_{\text{DD}} - 100\text{ mV}$ , $V_{\text{CM}} = \text{BG}$
Low-Level Output	$V_{\text{OL}}$	—	300	—	mV	$R_L = 5\text{ k}\Omega$ to 2.048V
Gain-Bandwidth Product	GBWP	—	10	—	MHz	$\text{AV}_{\text{DD}} = 4V$
Input Impedance	$R_{\text{IN}}$	—	10	—	$\text{k}\Omega$	
Sink Current	$I_{\text{SINK}}$	<b>-3</b>	—	—	mA	$I_{\text{SP}} = I_{\text{SN}} = \text{GND}$ $R_L = 300\Omega$ to $2 * \text{BG}$

**Note 1:** Refer to [Section 15.0 “Power-Down Mode \(Sleep\)”](#).

**2:** These parameters are characterized, but not production tested.

**3:** Ensured by design, not production tested.

**4:**  $V_{\text{DD}}$  is the voltage present at the  $V_{\text{DD}}$  pin.

**5:** Dropout voltage is defined as the input-to-output voltage differential at which the output voltage drops 2% below its nominal value measured at a 1V differential between  $V_{\text{IN}}$  and  $V_{\text{DD}}$ .

**6:** The  $V_{\text{DD}}$  LDO will limit the total source current to a maximum of 35 mA. Individually each pin can source a maximum of 15 mA.

## 4.2 Electrical Characteristics (Continued)

**Electrical Specifications:** Unless otherwise noted,  $V_{IN} = 12V$ ,  $F_{SW} = 150\text{ kHz}$ ,  $T_A = +25^\circ\text{C}$ . **Boldface** specifications apply over the  $T_A$  range of  $-40^\circ\text{C}$  to  $+125^\circ\text{C}$ .

Parameters	Sym.	Min.	Typ.	Max.	Units	Conditions
Source Current	$I_{SOURCE}$	<b>3</b>	—	—	mA	$I_{SP} = I_{SN} = \text{GND}$ $R_L = 300\Omega$ to GND
Common-Mode Range	$V_{CMR}$	GND - 0.3	—	$V_{BG} + 0.3$	V	<b>Note 3</b>
Common-Mode Rejection Ratio	CMRR	—	70	—	dB	
Internal Feedback Resistor	$R_{FB\_INT}$	—	5	—	k $\Omega$	
Internal Feedback Resistor Tol	$R_{FB\_INT\_TOL}$	—	2	—	%	Trimmed
<b>Pedestal Voltage</b>						
Pedestal Voltage Level	VZC	—	BG	—	V	
<b>Error Amplifier (EA)</b>						
Input Offset Voltage	$V_{OS}$	—	2	—	mV	
Common-Mode Rejection Ratio	CMRR	—	65	—	dB	$V_{CM} = 0V$ to BG
Open-Loop Voltage Gain	$A_{VOL}$	—	70	—	dB	<b>Note 3</b>
Low-Level Clamp Value	$V_{OL}$	<b>BG - 0.45</b>	BG - 0.2 2	<b>BG - 0.1</b>	V	$R_L = 5\text{ k}\Omega$ to 2.048V
Gain-Bandwidth Product	GBWP	—	3.5	—	MHz	
Error Amplifier Sink Current	$I_{SINK}$	<b>-3</b>	—	—	mA	$V_{REF} = \text{BG}$ , $I_{FB} = I_{COMP}$ $R_L = 150\Omega$ to $1.5 * \text{BG}$
Error Amplifier Source Current	$I_{SOURCE}$	<b>3</b>	—	—	mA	$V_{REF} = 2 * \text{BG}$ , $I_{FB} = I_{COMP}$ $R_L = 150\Omega$ to $1.5 * \text{BG}$
Maximum Error Amplifier Output High-Level Clamp	$V_{EA\_MAX}$	—	2 x BG	—	V	EA Output clamped to 2 x BG Voltage
<b>Peak Current Sense Input</b>						
Maximum Primary Current Sense Signal Voltage	$V_{IP\_MAX}$	—	BG	1.5	V	<b>Note 3</b>
<b>PWM Comparator</b>						
Input-to-Output Delay	TD	—	11	<b>20</b>	ns	<b>Note 3</b>
<b>Peak Current Leading Edge Blanking</b>						
Resolution	LEB	—	2	—	Bits	

**Note 1:** Refer to [Section 15.0 “Power-Down Mode \(Sleep\)”](#).

**2:** These parameters are characterized, but not production tested.

**3:** Ensured by design, not production tested.

**4:**  $V_{DD}$  is the voltage present at the  $V_{DD}$  pin.

**5:** Dropout voltage is defined as the input-to-output voltage differential at which the output voltage drops 2% below its nominal value measured at a 1V differential between  $V_{IN}$  and  $V_{DD}$ .

**6:** The  $V_{DD}$  LDO will limit the total source current to a maximum of 35 mA. Individually each pin can source a maximum of 15 mA.

# MCP19114/5

## 4.2 Electrical Characteristics (Continued)

**Electrical Specifications:** Unless otherwise noted,  $V_{IN} = 12V$ ,  $F_{SW} = 150\text{ kHz}$ ,  $T_A = +25^\circ\text{C}$ . **Boldface** specifications apply over the  $T_A$  range of  $-40^\circ\text{C}$  to  $+125^\circ\text{C}$ .

Parameters	Sym.	Min.	Typ.	Max.	Units	Conditions
Blanking Time Adjustable Range	$LEB_{RANGE}$	0	—	256	ns	4-Step Programmable Range (0, 50, 100, and 200 ns) <b>(Note 3)</b>
<b>Offset Adjustment (<math>I_P</math> Sense)</b>						
Resolution	$OS_{ADJ}$	—	4	—	Bits	
Offset Adjustment Range	$OS_{ADJ\_RANGE}$	0	—	750	mV	
Offset Adjustment Step Size	$OS_{ADJ\_STEP}$	—	50	—	mV	Linear Steps
<b>Adjustable Slope Compensation</b>						
Resolution	$SC_{RES}$	—	6	—	Bits	Log Steps
Slope	m	4.1	—	432.5	mV/ $\mu\text{s}$	
Slope Step Size	$SC_{STEP}$	—	8	—	%	Log Steps
Ramp Set Point Tolerance	$m_{TOL}$	—	$\pm 1$	$\pm 30$	%	Code 16d at 15.8 mV/ $\mu\text{s}$ Code 32d at 54 mV/ $\mu\text{s}$
<b>Desaturation Detection Comparator</b>						
Input Offset Voltage	$V_{OS}$	—	$\pm 1$	—	mV	Trimmed, 5 bits adjustable
Input Bias Current	$I_{BIAS}$	—	$\pm 1$	—	$\mu\text{A}$	Internal Circuit Dependent
Common-Mode Input Voltage Range	$V_{CMR}$	$GND - 0.3V$	—	2.7	V	<b>Note 3</b>
Input-to-Output Delay	TD	—	20	—	ns	
<b><math>V_{DR}</math> UVLO</b>						
$V_{DR}$ Resistance	$V_{DR\_RIN}$	—	38	—	$k\Omega$	
$V_{DR}$ UVLO (2.7V $V_{DR}$ Falling)	$V_{DR\_UVLO\_2.7\_F}$	2.45	—	2.9	V	
$V_{DR}$ UVLO (2.7V $V_{DR}$ Rising)	$V_{DR\_UVLO\_2.7\_R}$	2.68	—	3.23	V	
$V_{DR}$ UVLO (2.7V) Hysteresis	$V_{DR\_UVLO\_2.7\_HYS}$	190	—	415	mV	
$V_{DR}$ UVLO (5.4V $V_{DR}$ Falling)	$V_{DR\_UVLO\_5.4\_F}$	4.7	—	5.96	V	
$V_{DR}$ UVLO (5.4V $V_{DR}$ Rising)	$V_{DR\_UVLO\_5.4\_R}$	5.15	—	6.56	V	
$V_{DR}$ UVLO (5.4V) Hysteresis	$V_{DR\_UVLO\_5.4\_HYS}$	380	—	830	mV	

**Note 1:** Refer to **Section 15.0 “Power-Down Mode (Sleep)”**.

**2:** These parameters are characterized, but not production tested.

**3:** Ensured by design, not production tested.

**4:**  $V_{DD}$  is the voltage present at the  $V_{DD}$  pin.

**5:** Dropout voltage is defined as the input-to-output voltage differential at which the output voltage drops 2% below its nominal value measured at a 1V differential between  $V_{IN}$  and  $V_{DD}$ .

**6:** The  $V_{DD}$  LDO will limit the total source current to a maximum of 35 mA. Individually each pin can source a maximum of 15 mA.

## 4.2 Electrical Characteristics (Continued)

**Electrical Specifications:** Unless otherwise noted,  $V_{IN} = 12V$ ,  $F_{SW} = 150\text{ kHz}$ ,  $T_A = +25^\circ\text{C}$ . **Boldface** specifications apply over the  $T_A$  range of  $-40^\circ\text{C}$  to  $+125^\circ\text{C}$ .

Parameters	Sym.	Min.	Typ.	Max.	Units	Conditions
<b>Output Driver (PDRV and SDRV)</b>						
PDRV/SDRV Gate Drive Source Resistance	$R_{DR-SRC}$	—	—	<b>13.5</b>	$\Omega$	$V_{DR} = 4.5V$ <b>(Note 3)</b>
PDRV/SDRV Gate Drive Sink Resistance	$R_{DR-SINK}$	—	—	<b>12</b>	$\Omega$	$V_{DR} = 4.5V$ <b>(Note 3)</b>
PDRV/SDRV Gate Drive Source Current	$I_{DR-SRC}$	—	0.5	—	A	$V_{DR} = 5V$ $V_{DR} = 10V$ <b>(Note 3)</b>
		—	1.0	—		
PDRV/SDRV Gate Drive Sink Current	$I_{DR-SINK}$	—	0.5	—	A	$V_{DR} = 5V$ $V_{DR} = 10V$ <b>(Note 3)</b>
		—	1.0	—		
<b>Dead-Time Adjustment</b>						
Resolution	$DT_{RES}$	—	4	—	Bits	
Dead-Time Adjustable Range	$DT_{RANGE}$	16	—	256	ns	
Dead-Time Step Size	$DT_{STEP}$	—	16	—	ns	Linear Steps
Dead-Time Tolerance	$DT_{TOL}$	—	$\pm 8$	—	ns	
<b>Oscillator/PWM</b>						
Internal Oscillator Frequency	$F_{OSC}$	<b>7.60</b>	8.00	<b>8.40</b>	MHz	
Switching Frequency	$F_{SW}$	—	$F_{OSC}/N$	—	MHz	
Switching Frequency Range Select	N	4	—	255	—	$F_{MAX} = 2\text{ MHz}$
<b>A/D Converter (ADC) Characteristics</b>						
Resolution	$N_R$	—	—	10	Bits	
Integral Error	$E_{IL}$	—	—	<b><math>\pm 1</math></b>	LSb	$V_{REF\_ADC} = AV_{DD}$
Differential Error	$E_{DL}$	—	—	<b><math>\pm 1</math></b>	LSb	No missing code in 10 bits, $V_{REF\_ADC} = AV_{DD}$ <b>(Note 2)</b>
Offset Error	$E_{OFF}$	—	+3.0	<b>+7</b>	LSb	$V_{REF\_ADC} = AV_{DD}$
Gain Error	$E_{GN}$	—	$\pm 2$	<b><math>\pm 6</math></b>	LSb	$V_{REF\_ADC} = AV_{DD}$
Reference Voltage	$V_{REF\_ADC}$	—	$AV_{DD}$	—	V	
Full-Scale Range	$FSR_{A/D}$	GND	—	$AV_{DD}$	—	
<b>GPIO Pins</b>						
Maximum GPIO Sink Current	$I_{SINK\_GPIO}$	—	—	90	mA	<b>Note 6</b>
Maximum GPIO Source Current	$I_{SOURCE\_GPIO}$	—	—	35	mA	<b>Note 6</b>

**Note 1:** Refer to [Section 15.0 “Power-Down Mode \(Sleep\)”](#).

**Note 2:** These parameters are characterized, but not production tested.

**Note 3:** Ensured by design, not production tested.

**Note 4:**  $V_{DD}$  is the voltage present at the  $V_{DD}$  pin.

**Note 5:** Dropout voltage is defined as the input-to-output voltage differential at which the output voltage drops 2% below its nominal value measured at a 1V differential between  $V_{IN}$  and  $V_{DD}$ .

**Note 6:** The  $V_{DD}$  LDO will limit the total source current to a maximum of 35 mA. Individually each pin can source a maximum of 15 mA.

# MCP19114/5

## 4.2 Electrical Characteristics (Continued)

**Electrical Specifications:** Unless otherwise noted,  $V_{IN} = 12V$ ,  $F_{SW} = 150\text{ kHz}$ ,  $T_A = +25^\circ\text{C}$ . **Boldface** specifications apply over the  $T_A$  range of  $-40^\circ\text{C}$  to  $+125^\circ\text{C}$ .

Parameters	Sym.	Min.	Typ.	Max.	Units	Conditions
GPIO Weak Pull-Up Current	$I_{PULL-UP\_GPIO}$	50	250	400	$\mu\text{A}$	
GPIO Input Low Voltage	$V_{GPIO\_IL}$	<b>GND</b>	—	<b>0.8</b>	V	I/O Port with TTL buffer, $V_{DD} = 5V$
		<b>GND</b>	—	<b><math>0.2V_{DD}</math></b>	V	I/O Port with Schmitt Trigger buffer, $V_{DD} = 5V$
		<b>GND</b>	—	<b><math>0.2V_{DD}</math></b>	V	$\overline{\text{MCLR}}$
GPIO Input High Voltage	$V_{GPIO\_IH}$	<b>2.0</b>	—	<b><math>V_{DD}</math></b>	V	I/O Port with TTL buffer, $V_{DD}=5V$
		<b><math>0.8V_{DD}</math></b>	—	<b><math>V_{DD}</math></b>	V	I/O Port with Schmitt Trigger buffer, $V_{DD} = 5V$
		<b><math>0.8V_{DD}</math></b>	—	<b><math>V_{DD}</math></b>	V	$\overline{\text{MCLR}}$
GPIO Output Low Voltage	$V_{GPIO\_OL}$	—	—	<b><math>0.12V_{DD}</math></b>	V	$I_{OL} = 7\text{ mA}$ , $V_{DD} = 5V$
GPIO Output High Voltage	$V_{GPIO\_OH}$	$V_{DD}-0.7$	—	—	V	$I_{OH} = 2.5\text{ mA}$ , $V_{DD} = 5V$
GPIO Input Leakage Current	$I_{GPIO\_IL}$	—	$\pm 0.1$	<b><math>\pm 1</math></b>	$\mu\text{A}$	Negative current is defined as current sourced by the pin.
<b>POR</b>						
Power-On Reset Voltage	$V_{POR}$	—	2.13	—	V	
Power-On Reset Voltage Hysteresis	$V_{POR\_HYS}$	—	100	—	mV	
<b>Thermal Shutdown</b>						
Thermal Shutdown	$T_{SHD}$	—	150	—	$^\circ\text{C}$	
Thermal Shutdown Hysteresis	$T_{SHD\_HYS}$	—	20	—	$^\circ\text{C}$	

**Note 1:** Refer to [Section 15.0 “Power-Down Mode \(Sleep\)”](#).

**2:** These parameters are characterized, but not production tested.

**3:** Ensured by design, not production tested.

**4:**  $V_{DD}$  is the voltage present at the  $V_{DD}$  pin.

**5:** Dropout voltage is defined as the input-to-output voltage differential at which the output voltage drops 2% below its nominal value measured at a 1V differential between  $V_{IN}$  and  $V_{DD}$ .

**6:** The  $V_{DD}$  LDO will limit the total source current to a maximum of 35 mA. Individually each pin can source a maximum of 15 mA.

## 4.3 Thermal Specifications

Parameters	Sym.	Min.	Typ.	Max.	Units
<b>Temperature Ranges</b>					
Specified Temperature Range	$T_A$	-40	—	+125	$^\circ\text{C}$
Operating Junction Temperature Range	$T_J$	-40	—	+125	$^\circ\text{C}$
Maximum Junction Temperature	$T_J$	—	—	+150	$^\circ\text{C}$
Storage Temperature Range	$T_S$	-65	—	+150	$^\circ\text{C}$
<b>Thermal Package Resistances</b>					
Thermal Resistance, 24L-QFN 4x4	$\theta_{JA}$	—	42	—	$^\circ\text{C/W}$

## 4.3 Thermal Specifications (Continued)

Parameters	Sym.	Min.	Typ.	Max.	Units
Thermal Resistance, 28L-QFN 5x5	$\theta_{JA}$	—	35.3	—	°C/W



## 5.0 DIGITAL ELECTRICAL CHARACTERISTICS

### 5.1 Timing Parameter Symbology

The timing parameter symbols have been created with one of the following formats:

1. TppS2ppS
2. TppS
3. T<sub>CC:ST</sub> (I<sup>2</sup>C™ specifications only)
4. Ts (I<sup>2</sup>C specifications only)

<b>T</b>		<b>T</b>	
F	Frequency	T	Time

Lowercase letters (pp) and their meanings:

<b>pp</b>			
cc	CCP1	osc	OSC1
ck	CLKOUT	rd	$\overline{RD}$
cs	$\overline{CS}$	rw	$\overline{RD}$ or $\overline{WR}$
di	SDI	sc	SCK
do	SDO	ss	$\overline{SS}$
dt	Data in	t0	T0CKI
io	I/O port	wr	$\overline{WR}$
mc	$\overline{MCLR}$		

Uppercase letters and their meanings:

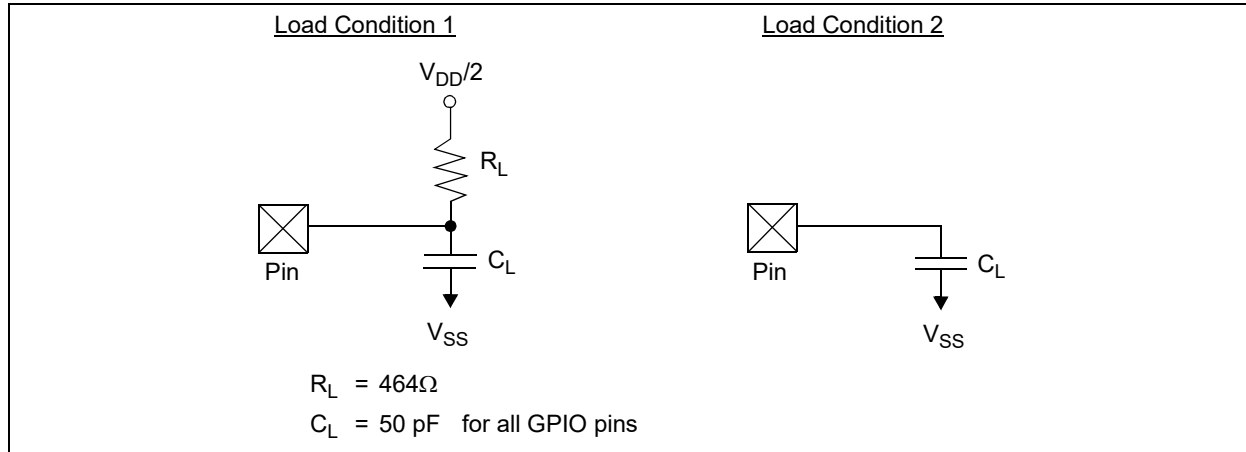
<b>S</b>			
F	Fall	P	Period
H	High	R	Rise
I	Invalid (high-impedance)	V	Valid
L	Low	Z	High-Impedance
<b>I<sup>2</sup>C™ only</b>			
AA	output access	High	High
BUF	Bus free	Low	Low

T<sub>CC:ST</sub> (I<sup>2</sup>C specifications only)

<b>CC</b>			
HD	Hold	SU	Setup
<b>ST</b>			
DAT	DATA input hold	STO	STOP condition
STA	START condition		

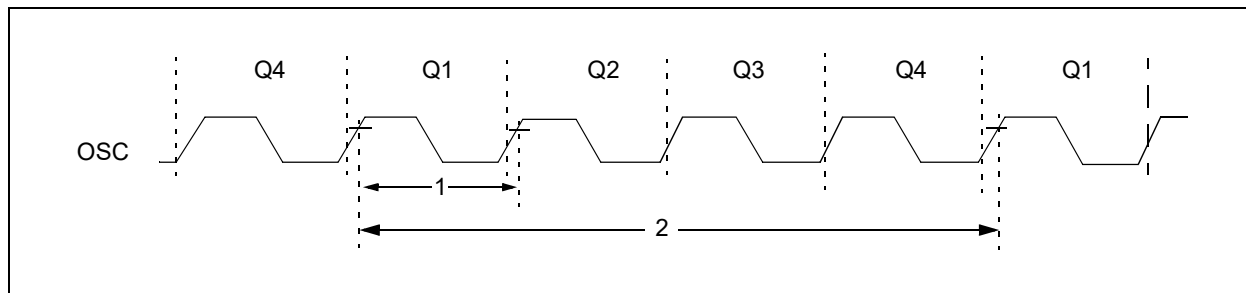
# MCP19114/5

**FIGURE 5-1: LOAD CONDITIONS**



## 5.2 AC Characteristics: MCP19114 (Industrial, Extended)

**FIGURE 5-2: EXTERNAL CLOCK TIMING**



**TABLE 5-1: EXTERNAL CLOCK TIMING REQUIREMENTS**

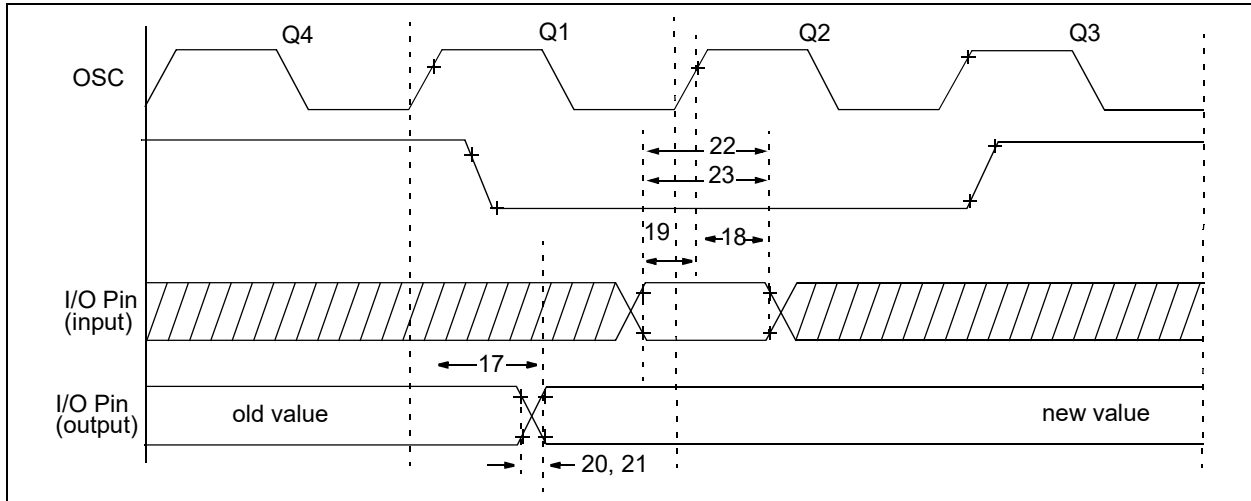
Param. No.	Sym.	Characteristic	Min.	Typ. <sup>†</sup>	Max.	Units	Conditions
	$F_{OSC}$	Oscillator Frequency <sup>(1)</sup>	—	8	—	MHz	
1	$T_{OSC}$	Oscillator Period <sup>(1)</sup>	—	250	—	ns	
2	$T_{CY}$	Instruction Cycle Time <sup>(1)</sup>	—	$T_{CY}$	$\infty$	ns	$T_{CY} = 4 * T_{OSC}$

\* These parameters are characterized but not tested.

† Data in "Typ." column is at  $V_{IN} = 12V$  ( $V_{DD} = 5V$ ),  $25^\circ C$  unless otherwise stated. These parameters are for design guidance only and are not tested.

**Note 1:** Instruction cycle period ( $T_{CY}$ ) equals four times the input oscillator time base period. All specified values are based on characterization data for that particular oscillator type under standard operating conditions with the device executing code.

**FIGURE 5-3: I/O TIMING**



**TABLE 5-2: I/O TIMING REQUIREMENTS**

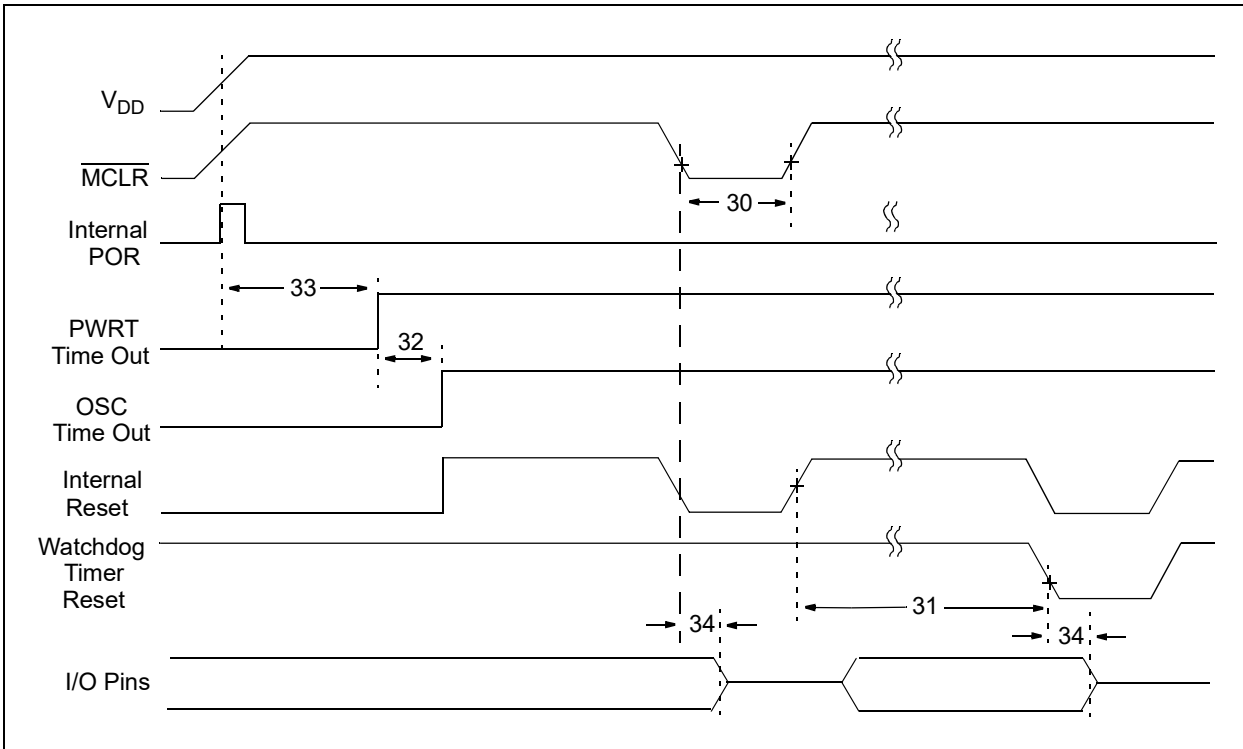
Param. No.	Sym.	Characteristic	Min.	Typ.†	Max.	Units	Conditions
17	TosH2ioV	OSC1↑ (Q1 cycle) to Port out valid	—	50	70*	ns	
18	TosH2ioI	OSC1↑ (Q2 cycle) to Port input invalid (I/O in hold time)	50	—	—	ns	
19	TioV2osH	Port input valid to OSC1↑ (I/O in setup time)	20	—	—	ns	
20	TioR	Port output rise time	—	32	40	ns	
21	TioF	Port output fall time	—	15	30	ns	
22*	Tinp	INT pin high or low time	25	—	—	ns	
23*	T <sub>RABP</sub>	GPIO interrupt-on-change new input level time	T <sub>CY</sub>	—	—	ns	

\* These parameters are characterized but not tested.

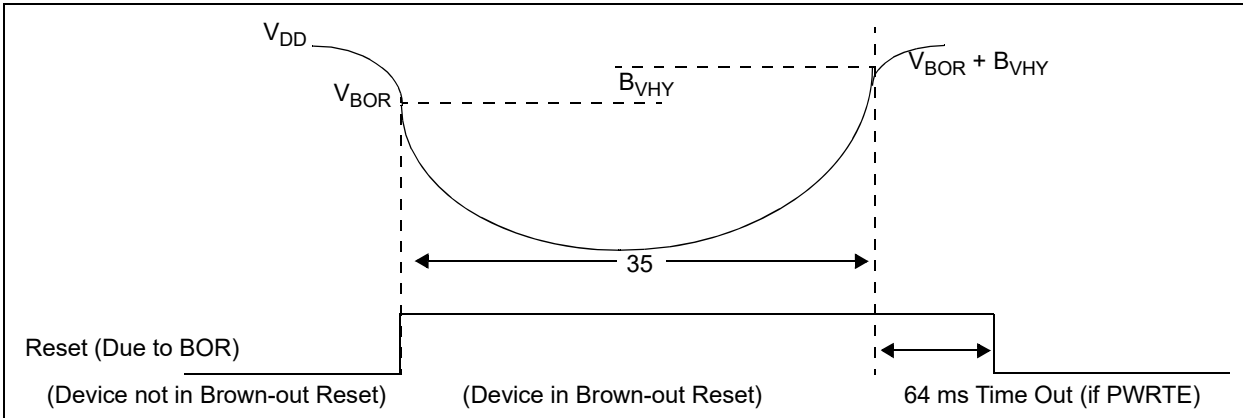
† Data in "Typ" column is at V<sub>IN</sub> = 12V (V<sub>DD</sub> = 5V), 25°C unless otherwise stated.

# MCP19114/5

**FIGURE 5-4: RESET, WATCHDOG TIMER, OSCILLATOR START-UP TIMER AND POWER-UP TIMER TIMING**



**FIGURE 5-5: BROWN-OUT RESET TIMING AND CHARACTERISTICS**



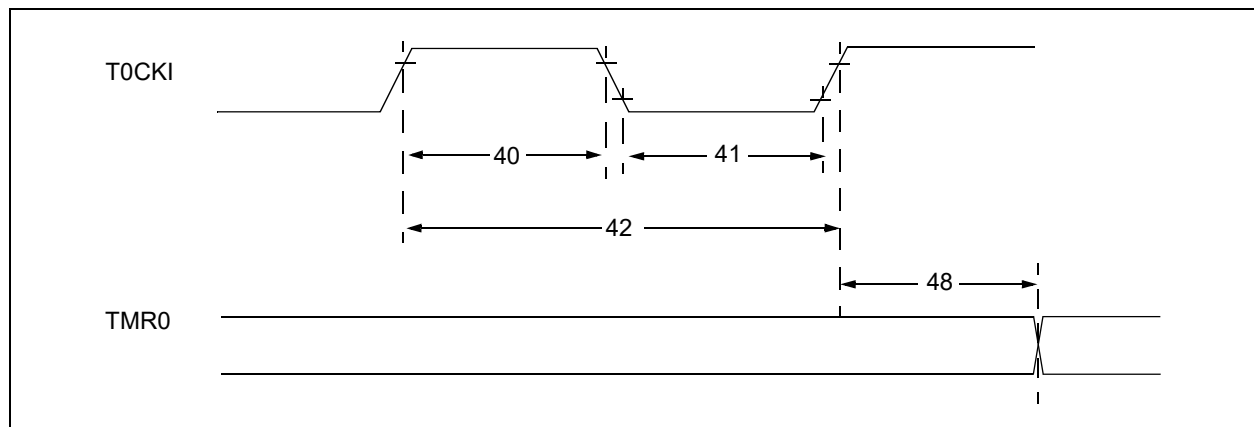
**TABLE 5-3: RESET, WATCHDOG TIMER, OSCILLATOR START-UP TIMER AND POWER-UP TIMER REQUIREMENTS**

Param. No.	Sym.	Characteristic	Min.	Typ. <sup>†</sup>	Max.	Units	Conditions
30	T <sub>MCL</sub>	MCLR Pulse Width (low)	2	—	—	μs	V <sub>DD</sub> = 5 V, -40°C to +85°C
31	T <sub>WDT</sub>	Watchdog Timer Time-Out Period (No Prescaler)	7	18	33	ms	V <sub>DD</sub> = 5 V, -40°C to +85°C
32	T <sub>OST</sub>	Oscillation Start-Up Timer Period	—	1024T <sub>OSC</sub>	—	—	T <sub>OSC</sub> = OSC1 period
33*	T <sub>PWRT</sub>	Power-up Timer Period (4 x T <sub>WDT</sub> )	28	72	132	ms	V <sub>DD</sub> = 5 V, -40°C to +85°C
34	T <sub>IOZ</sub>	I/O high impedance from MCLR Low or Watchdog Timer Reset	—	—	2.0	μs	
	V <sub>BOR</sub>	Brown-out Reset voltage	—	2.7	—	V	
	B <sub>VHY</sub>	Brown-out Hysteresis	—	100	—	mV	
35	T <sub>BCR</sub>	Brown-out Reset pulse width	100*	—	—	μs	V <sub>DD</sub> ≤ V <sub>BOR</sub> (D005)
48	TCKEZ-TMR	Delay from clock edge to timer increment	2T <sub>OSC</sub>	—	7T <sub>OSC</sub>		

\* These parameters are characterized but not tested.

† Data in "Typ." column is at V<sub>IN</sub> = 12V (V<sub>DD</sub> = 5V, AV<sub>DD</sub> = 4V), 25°C unless otherwise stated. These parameters are for design guidance only and are not tested.

**FIGURE 5-6: TIMER0 AND TIMER1 EXTERNAL CLOCK TIMING**



# MCP19114/5

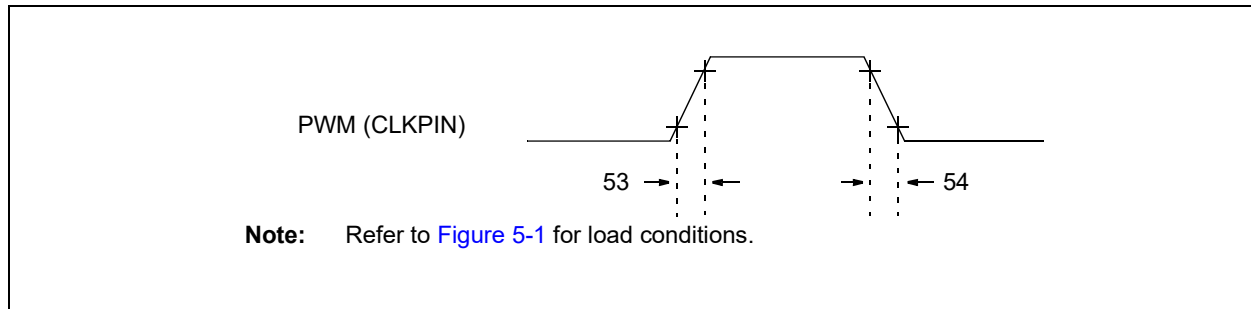
**TABLE 5-4: TIMER0 EXTERNAL CLOCK REQUIREMENTS**

Param. No.	Sym.	Characteristic	Min.	Typ. <sup>†</sup>	Max.	Units	Conditions
40*	Tt0H	T0CKI High Pulse Width	No Prescaler	$0.5T_{CY} + 20$	—	—	ns
			With Prescaler	10	—	—	ns
41*	Tt0L	T0CKI Low Pulse Width	No Prescaler	$0.5T_{CY} + 20$	—	—	ns
			With Prescaler	10	—	—	ns
42*	Tt0P	T0CKI Period	Greater of: 20 or $\frac{T_{CY} + 40}{N}$	—	—	ns	N = prescale value (2, 4, ..., 256)

\* These parameters are characterized but not tested.

† Data in "Typ." column is at  $V_{IN} = 12V$ ,  $25^{\circ}C$  unless otherwise stated. These parameters are for design guidance only and are not tested.

**FIGURE 5-7: PWM TIMINGS**



**TABLE 5-5: PWM REQUIREMENTS**

Param. No.	Sym.	Characteristic	Min.	Typ. <sup>†</sup>	Max.	Units	Conditions
53*	TccR	PWM (CLKPIN) output rise time	—	10	25	ns	
54*	TccF	PWM (CLKPIN) output fall time	—	10	25	ns	

\* These parameters are characterized but not tested.

† Data in "Typ" column is at  $V_{IN} = 12V$  ( $V_{DD} = 5V$ ,  $AV_{DD} = 4V$ ),  $25^{\circ}C$  unless otherwise stated. Parameters are for design guidance only and are not tested.

**TABLE 5-6: MCP19114/5 A/D CONVERTER (ADC) CHARACTERISTICS**

Electrical Specifications: Unless otherwise noted, operating temperature = $40^{\circ}\text{C} \leq T_A \leq +125^{\circ}\text{C}$							
Param. No.	Sym.	Characteristic	Min.	Typ. <sup>†</sup>	Max.	Units	Conditions
AD01	$N_R$	Resolution	—	—	10 bits	bit	
AD02	$E_{IL}$	Integral Error	—	—	$\pm 1$	LSb	$AV_{DD} = 4.0\text{V}$
AD03	$E_{DL}$	Differential Error	—	—	$\pm 1$	LSb	No missing codes to 10 bits $AV_{DD} = 4.0\text{V}$
AD04	$E_{OFF}$	Offset Error	—	+3.0	+7	LSb	$AV_{DD} = 4.0\text{V}$
AD07	$E_{GN}$	Gain Error	—	$\pm 2$	$\pm 6$	LSb	$AV_{DD} = 4.0\text{V}$
AD07	$V_{AIN}$	Full-Scale Range	$A_{GND}$	—	$AV_{DD}$	V	
AD08	$Z_{AIN}$	Recommended Impedance of Analog Voltage Source	—	—	10	k $\Omega$	

\* These parameters are characterized but not tested.

† Data in 'Typ.' column is at  $V_{IN} = 12\text{V}$  ( $AV_{DD} = 4\text{V}$ ),  $25^{\circ}\text{C}$  unless otherwise stated. These parameters are for design guidance only and are not tested.

**Note 1:** Total Absolute Error includes integral, differential, offset and gain errors.

**2:** The A/D conversion result never decreases with an increase in the input voltage and has no missing codes.

**3:** When ADC is off, it will not consume any current other than leakage current. The power-down current specification includes any such leakage from the ADC module.

**TABLE 5-7: MCP19114/5 A/D CONVERSION REQUIREMENTS**

Electrical Specifications: Unless otherwise noted, operating temperature = $40^{\circ}\text{C} \leq T_A \leq +125^{\circ}\text{C}$							
Param. No.	Sym.	Characteristic	Min.	Typ. <sup>†</sup>	Max.	Units	Conditions
AD130*	$T_{AD}$	A/D Clock Period	1.6	—	9.0	$\mu\text{s}$	$T_{OSC}$ -based
		A/D Internal RC Oscillator Period	1.6	4.0	6.0	$\mu\text{s}$	$ADCS<1:0> = 11$ (ADRC mode)
AD131	$T_{CNV}$	Conversion Time (not including Acquisition Time) <sup>(1)</sup>	—	11	—	$T_{AD}$	Set $\overline{GO/DONE}$ bit to new data in A/D Result registers
AD132*	$T_{ACQ}$	Acquisition Time	—	11.5	—	$\mu\text{s}$	
AD133*	$T_{AMP}$	Amplifier Settling Time	—	—	5	$\mu\text{s}$	
AD134	$T_{GO}$	Q4 to A/D Clock Start	—	$T_{OSC}/2$	—	—	

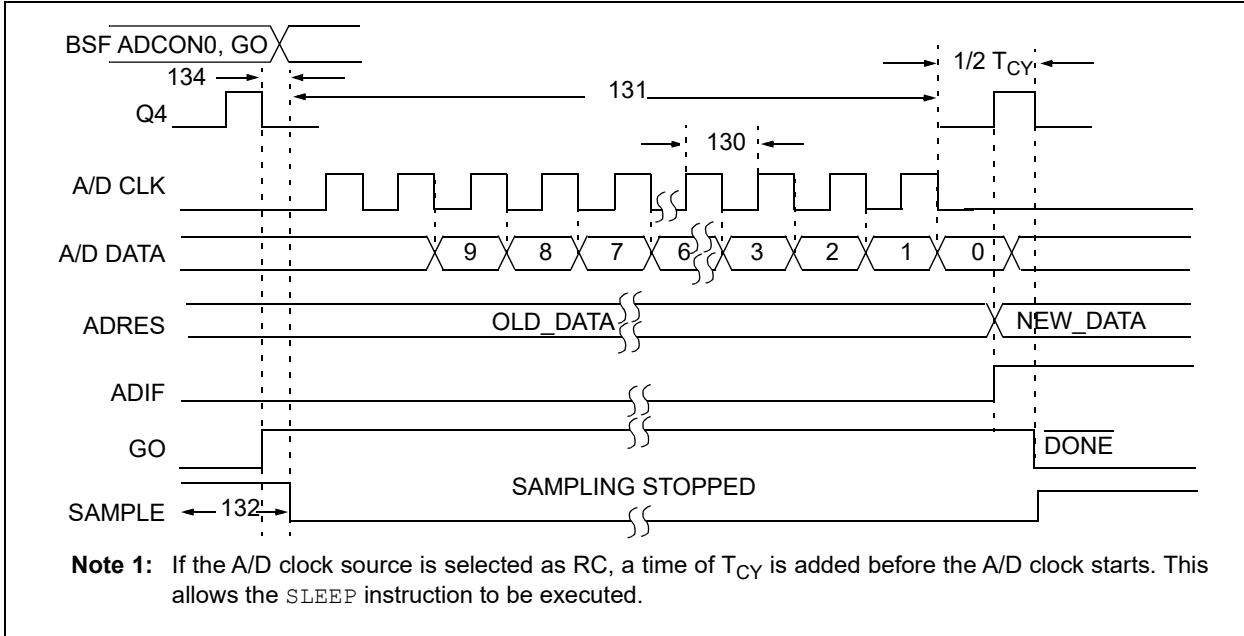
\* These parameters are characterized but not tested.

† Data in 'Typ.' column is at  $V_{IN} = 12\text{V}$  ( $V_{DD} = 5\text{V}$ ,  $AV_{DD} = 4\text{V}$ ),  $25^{\circ}\text{C}$  unless otherwise stated. These parameters are for design guidance only and are not tested.

**Note 1:** ADRESH and ADRESL registers may be read on the following  $T_{CY}$  cycle.

# MCP19114/5

FIGURE 5-8: A/D CONVERSION TIMING



## 6.0 CONFIGURING THE MCP19114/5

The MCP19114/5 are analog controllers with a digital peripheral. This means that device configuration is handled through register settings instead of adding external components. There are several internal configurable comparator modules used to interface analog circuits to digital processing that are very similar to a standard comparator module found in many PIC processors today (i.e. PIC16F1824/1828). The following sections detail how to set the analog control registers for all the configurable parameters.

### 6.1 Input Undervoltage and Overvoltage Lockout (UVLO and OVLO)

VINCON is the comparator control register for both the VINUVLO and VINOVLO registers. It contains the enable bits, the polarity edge detection bits and the status output bits for both protection circuits. The interrupt flags <UVLOIF> and <OVLOIF> in the PIR2 register are independent of the enable <UVLOEN> and <OVLOEN> bits in the VINCON register. The <UVLOOUT> undervoltage lockout status output bit in the VINCON register indicates if an UVLO event has occurred. The <OVLOOUT> overvoltage lockout status output bit in the VINCON register indicates if an OVLO event has occurred.

The VINUVLO register contains the digital value that sets the input undervoltage lockout. UVLO has a range of 4V to 20V. For  $V_{IN}$  values below this range and above processor come-alive ( $V_{DD} = 2V$ ), the UVLO comparator and the UVLOOUT status bit will indicate an undervoltage condition. If using UVLO to determine power-up  $V_{IN}$ , it is recommended to poll the UVLOOUT bit for status. When the input voltage on the  $V_{IN}$  pin to the MCP19114/5 is below this programmed level and the <UVLOEN> bit in the VINCON register is set, both PDRV and SDRV gate drivers are disabled. This bit is automatically cleared when the MCP19114/5  $V_{IN}$  voltage rises above this programmed level.

The VINOVLO register contains the digital value that sets the input overvoltage lockout. OVLO has a range of 8.8V to 44V. When the input voltage on the  $V_{IN}$  pin to the MCP19114/5 is above this programmed level and the <OVLOEN> bit in the VINCON register is set, both PDRV and SDRV gate drivers are disabled. This bit is automatically cleared when the MCP19114/5  $V_{IN}$  voltage drops below this programmed level. Refer to [Figure 27-1](#).

**Note:** The UVLOIF and OVLOIF interrupt flag bits are set when an interrupt condition occurs, regardless of the state of its corresponding enable bit or the Global Enable bit (GIE) in the INTCON register.

**REGISTER 6-1: VINCON: UVLO AND OVLO COMPARATOR CONTROL REGISTER**

R/W-0	R-0	R/W-0	R/W-0	R/W-0	R-0	R/W-0	R/W-0
UVLOEN	UVLOOUT	UVLOINTP	UVLOINTN	OVLOEN	OVLOOUT	OVLOINTP	OVLOINTN
bit 7							bit 0

**Legend:**

R = Readable bit	W = Writable bit	U = Unimplemented bit, read as '0'
x = Bit is unchanged	x = Bit is unknown	-n = Value at POR
'1' = Bit is set	'0' = Bit is cleared	

- bit 7      **UVLOEN:** UVLO Comparator Module Logic Enable bit  
           1 = UVLO Comparator Module Logic enabled  
           0 = UVLO Comparator Module Logic disabled
- bit 6      **UVLOOUT:** Undervoltage Lockout Status Output  
           1 = UVLO event has occurred  
           0 = No UVLO event has occurred
- bit 5      **UVLOINTP:** UVLO Comparator Interrupt on Positive Going Edge Enable bit  
           1 = The UVLOIF interrupt flag will be set upon a positive going edge of the UVLO  
           0 = No UVLOIF interrupt flag will be set upon a positive going edge of the UVLO
- bit 4      **UVLOINTN:** UVLO Comparator Interrupt on Negative Going Edge Enable bit  
           1 = The UVLOIF interrupt flag will be set upon a negative going edge of the UVLO  
           0 = No UVLOIF interrupt flag will be set upon a negative going edge of the UVLO

# MCP19114/5

## REGISTER 6-1: VINCON: UVLO AND OVLO COMPARATOR CONTROL REGISTER (CONTINUED)

- bit 3      **OVLOEN:** OVLO Comparator Module Logic enable bit  
 1 = OVLO Comparator Module Logic enabled  
 0 = OVLO Comparator Module Logic disabled
- bit 2      **OVLOOUT:** Overvoltage Lockout Status Output bit  
 1 = OVLO event has occurred  
 0 = No OVLO event has occurred
- bit 1      **OVLOINTP:** OVLO Comparator Interrupt on Positive Going Edge Enable bit  
 1 = The OVLOIF interrupt flag will be set upon a positive going edge of the OVLO  
 0 = No OVLOIF interrupt flag will be set upon a positive going edge of the OVLO
- bit 0      **OVLOINTN:** OVLO Comparator Interrupt on Negative Going Edge Enable bit  
 1 = The OVLOIF interrupt flag will be set upon a negative going edge of the OVLO  
 0 = No OVLOIF interrupt flag will be set upon a negative going edge of the OVLO

## REGISTER 6-2: VINUVLO: INPUT UNDERVOLTAGE LOCKOUT REGISTER

U-0	U-0	R/W-x	R/W-x	R/W-x	R/W-x	R/W-x	R/W-x
—	—	UVLO5	UVLO4	UVLO3	UVLO2	UVLO1	UVLO0
bit 7							bit 0

### Legend:

R = Readable bit      W = Writable bit      U = Unimplemented bit, read as '0'  
 u = Bit is unchanged      x = Bit is unknown      -n = Value at POR  
 '1' = Bit is set      '0' = Bit is cleared

- bit 7-6      **Unimplemented:** Read as '0'
- bit 5-0      **UVLO<5:0>:** Undervoltage Lockout Configuration bits  
 $UVLO(V) = 3.5472 * (1.0285^N)$  where N = the decimal value written to the VINUVLO Register from 0 to 63

## REGISTER 6-3: VINOVL0: INPUT OVERVOLTAGE LOCKOUT REGISTER

U-0	U-0	R/W-x	R/W-x	R/W-x	R/W-x	R/W-x	R/W-x
—	—	OVLO5	OVLO4	OVLO3	OVLO2	OVLO1	OVLO0
bit 7							bit 0

### Legend:

R = Readable bit      W = Writable bit      U = Unimplemented bit, read as '0'  
 u = Bit is unchanged      x = Bit is unknown      -n = Value at POR  
 '1' = Bit is set      '0' = Bit is cleared

- bit 7-6      **Unimplemented:** Read as '0'
- bit 5-0      **OVLO<5:0>:** Overvoltage Lockout Configuration bits  
 $OVLO(V) = 7.4847 * (1.0286^N)$  where N = the decimal value written to the VINOVL0 Register from 0 to 63

## 6.2 Output Overvoltage Protection

The MCP19114/5 feature output overvoltage protection. This feature also utilizes a comparator module similar to the standard PIC comparator module. This is used to prevent the power system from being damaged when the load is disconnected. The OVREFCON register contains the digital value that sets the analog DAC voltage at the inverting input of the comparator. By comparing the divided down power train output voltage connected to the noninverting input ( $V_S$ ) of the comparator with the OVREF reference voltage, the user will know when an overvoltage event has occurred and can automatically take action.

The OVCON register contains the interrupt flag polarity and OV enable bits along with the output status bit just as VINCON does for the input voltage UVLO and OVLO. When <OVEN> bit in the OVCON register is set and an overvoltage occurs, the control logic will automatically set the secondary gate drive output (SDRV) high and set the primary gate drive output (PDRV) low.

**Note:** The OVIF interrupt flag bit is set when an interrupt condition occurs, regardless of the state of its corresponding enable bit or the Global Enable bit (GIE) in the INTCON register.

### REGISTER 6-4: OVCON: OUTPUT OVERVOLTAGE COMPARATOR CONTROL REGISTER

U-0	U-0	U-0	U-0	R/W-0	R-0	R/W-0	R/W-0
—	—	—	—	OVEN	OVOUT	OVINTP	OVINTN
bit 7				bit 0			

**Legend:**

R = Readable bit	W = Writable bit	U = Unimplemented bit, read as '0'
u = Bit is unchanged	x = Bit is unknown	-n = Value at POR
'1' = Bit is set	'0' = Bit is cleared	

- bit 7-4      **Unimplemented:** Read as '0'
- bit 3      **OVEN:** OV Comparator output enable bit  
1 = OV Comparator output is enabled  
0 = OV Comparator output is Not enabled
- bit 2      **OVOUT:** Output Overvoltage Status Output bit  
1 = Output Overvoltage has occurred  
0 = No Output Overvoltage has occurred
- bit 1      **OVINTP:** OV Comparator Interrupt on Positive Going Edge Enable bit  
1 = The OVIF interrupt flag will be set upon a positive going edge of the OV  
0 = No OVIF interrupt flag will be set upon a positive going edge of the OV
- bit 0      **OVINTN:** OV Comparator Interrupt on Negative Going Edge Enable bit  
1 = The OVIF interrupt flag will be set upon a negative going edge of the OV  
0 = No OVIF interrupt flag will be set upon a negative going edge of the OV

### REGISTER 6-5: OVREFCON: OUTPUT OVERVOLTAGE DETECT LEVEL REGISTER

R/W-x	R/W-x	R/W-x	R/W-x	R/W-x	R/W-x	R/W-x	R/W-x
OOV7	OOV6	OOV5	OOV4	OOV3	OOV2	OOV1	OOV0
bit 7							bit 0

**Legend:**

R = Readable bit	W = Writable bit	U = Unimplemented bit, read as '0'
u = Bit is unchanged	x = Bit is unknown	-n = Value at POR
'1' = Bit is set	'0' = Bit is cleared	

- bit 7-0      **OOV<7:0>:** Output Overvoltage Detect Level Configuration bits  
 $V_{OV\_REF(V)} = 2 * V_{BG} * (OOV(dec)/255)$

# MCP19114/5

---

The A/D converter Calibration Word 8 can be used to improve OVREF accuracy. An ADC measurement target (target in [Example 6-1](#)) is obtained by adding the analog MUX buffer offset (BUOFFSET) to the desired OVREF voltage (OVREFTARGET) and multiplying the result by the ADC gain (GADC). OVREF is adjusted until the ADC reading equals or exceeds the target.

An example of OVREF-calibration firmware is as follows:

## EXAMPLE 6-1: EXAMPLE OVREF CORRECTION ROUTINE

```
//Assumes that calibration words ADCCAL and BUFF are read from
//program memory into variables ADCC and BUOFFSET, respectively.
extern volatile unsigned int ADRES @ 0x01C;
#define OVREFTARGET (unsigned int) 0x0800 // OVREF Target = 2.0 V
unsigned long tmp = (unsigned long)ADCC*(OVREFTARGET+BUOFFSET); // ADC Reference + Buffer Offset
unsigned int target = (unsigned int)(tmp >> 15) - 3; // Subtract ADC typical offset error 3
unsigned int adc;
OVREFCON = 0x00; // Clear OVREFCON
ADCON0 = 0x09; // Enable and set channel to OVREF

do { // Adjust OVREFCON
    OVREFCON++;
    NOP(); NOP();

    adc = 0;
    for (unsigned char i = 4; i > 0; i--) {
        ADCON0bits.GO_nDONE = 1;
        while(ADCON0bits.GO_nDONE);
        adc += ADRES;
    }
    adc >>= 2;
} while ((adc < target) && (OVREFCON != 0xFF));
```

**Note 1:** In this example, the LSb weight of OVREFTARGET is set to  $1/(2^{10})$  volt. Users can choose their own resolution depending on their accuracy requirement. The digital value of 2.0V is determined as follows:  $\text{TRUNC}(2.0 \times 2^{10}) = 2048$  (0x0800 hex).

## 6.3 Desaturation Detection for Quasi-Resonant Operation

The MCP19114/5 have been designed with a built-in desaturation detection comparator module custom made for quasi-resonant topologies. This is especially useful for LED-type applications. Through the use of the MCP19114/5, both synchronous and asynchronous quasi-resonant topologies can be implemented. The DESAT comparator module has the same features as the UVLO/OVLO and OV comparator modules, except that it includes some additional programmable parameters.

The DESATCON register holds the setup control bits for this module. Common control bits are the polarity edge trigger for the interrupt flag <CDSINTP><CDSINTN>, comparator output polarity control <CDSPOL>, output enable <CDSOE> and output status <CDSOUT> bit. As with the other comparator modules, the CDSIF is independent of the CDSOE enable bit. On the front end connected to the DESAT comparator noninverting input, there is a two-channel MUX that connects either to the DESAT<sub>P</sub> pin or to the fixed internally generated band gap voltage. Additionally, the input offset voltage of the DESAT comparator is factory-trimmed to within ±1 mV typically. These factory-trimmed values are stored in the CALWD2 register at address 2081h. Firmware must read these values into the DSTCAL register (196h). If more offset is desired, the user can adjust the values written to the DSTCAL per their implementation.

**REGISTER 6-6: DESATCON: DESATURATION COMPARATOR CONTROL REGISTER**

R/W-0	R/W-0	R/W-0	R/W-0	R/W-0	R/W-0	R/W-0	R/W-0
CDSMUX	CDSWDE	Reserved	CDSPOL	CDSOE	CDSOUT	CDSINTP	CDSINTN
bit 7							bit 0

**Legend:**

R = Readable bit	W = Writable bit	U = Unimplemented bit, read as '0'
u = Bit is unchanged	x = Bit is unknown	-n = Value at POR
'1' = Bit is set	'0' = Bit is cleared	

bit 7	<b>CDSMUX:</b> DESAT Comparator Module Multiplexer channel selection bit 1 = BG Selected 0 = DESAT <sub>P</sub> Selected (Default)
bit 6	<b>CDSWDE:</b> DESAT Comparator Watch Dog Enable bit 1 = Watch Dog signal enables PWM Reset 0 = Watch Dog signal does Not allow PWM reset
bit 5	Reserved
bit 4	<b>CDSPOL:</b> DESAT Comparator Polarity Select bit 1 = DESAT Comparator output is inverted 0 = DESAT Comparator output is Not inverted
bit 3	<b>CDSOE:</b> DESAT Comparator output enable bit 1 = DESAT Comparator output PWM is enabled 0 = DESAT Comparator output PWM is Not enabled
bit 2	<b>CDSOUT:</b> DESAT Comparator Output Status bit <u>If CDSPOL = 1 (inverted polarity)</u> 1 = CDSVP < CDSVN (DESAT Detected) 0 = CDSVP > CDSVN (DESAT Not Detected) <u>If CDSPOL = 0 (noninverted polarity)</u> 1 = CDSVP > CDSVN (DESAT Not Detected) 0 = CDSVP < CDSVN (DESAT Detected)
bit 1	<b>CDSINTP:</b> CDSIF Comparator Interrupt on Positive Going Edge Enable bit 1 = The CDSIF interrupt flag will be set upon a positive going edge 0 = No CDSIF interrupt flag will be set upon a positive going edge
bit 0	<b>CDSINTN:</b> CDSIF Comparator Interrupt on Negative Going Edge Enable bit 1 = The CDSIF interrupt flag will be set upon a negative going edge 0 = No CDSIF interrupt flag will be set upon a negative going edge

# MCP19114/5

## 6.4 Primary Input Current Offset Adjust

Primary input current offset adjust provides the ability to add offset to the primary input current signal, thus setting a peak primary current limit. This offset adjust is controlled using the four bits in the ICOACON register.

### REGISTER 6-7: ICOACON: INPUT CURRENT OFFSET ADJUST CONTROL REGISTER

U-0	U-0	U-0	U-0	R/W-x	R/W-x	R/W-x	R/W-x
—	—	—	—	ICOAC3	ICOAC2	ICOAC1	ICOAC0
bit 7							bit 0

#### Legend:

R = Readable bit	W = Writable bit	U = Unimplemented bit, read as '0'
u = Bit is unchanged	x = Bit is unknown	-n = Value at POR
'1' = Bit is set	'0' = Bit is cleared	

bit 7-4 **Unimplemented:** Read as '0'

bit 3-0 **ICOAC<3:0>:** Input current offset adjustment Configuration bits

0000	= 0 mV
0001	= 50 mV
0010	= 100 mV
0011	= 150 mV
0100	= 200 mV
0101	= 250 mV
0110	= 300 mV
0111	= 350 mV
1000	= 400 mV
1001	= 450 mV
1010	= 500 mV
1011	= 550 mV
1100	= 600 mV
1101	= 650 mV
1110	= 700 mV
1111	= 750 mV

## 6.5 Leading Edge Blanking

The adjustable Leading Edge Blanking (LEB) is used to blank primary current spikes resulting from primary switch turn-on. Implementing adjustable LEB allows the system to ignore turn-on noise to best suit the application without primary current sense distortion from RC filtering. There are four settings available for LEB, including zero. These settings are controlled via two bits in the ICLEBCON register.

### REGISTER 6-8: ICLEBCON: INPUT CURRENT LEADING EDGE BLANKING CONTROL REGISTER

U-0	U-0	U-0	U-0	U-0	U-0	R/W-x	R/W-x
—	—	—	—	—	—	ICLEBC1	ICLEBC0
bit 7						bit 0	

#### Legend:

R = Readable bit

W = Writable bit

U = Unimplemented bit, read as '0'

u = Bit is unchanged

x = Bit is unknown

-n = Value at POR

'1' = Bit is set

'0' = Bit is cleared

bit 7-2

**Unimplemented:** Read as '0'

bit 1-0

**ICLEBC<1:0>:** Input current Leading Edge Blanking Configuration bits

00 = 0 ns

01 = 50 ns

10 = 100 ns

11 = 200 ns

# MCP19114/5

## 6.6 Slope Compensation

A negative voltage slope is added to the output of the error amplifier. This is done to prevent subharmonic instability when:

1. the operating duty cycle is greater than 50%
2. wide changes in the duty cycle occur

The amount of negative slope added to the error amplifier output is controlled by slope compensation slew rate control bits.

The slope compensation is enabled by clearing the SLPBY bit in the SLPCRCON register.

### REGISTER 6-9: SLPCRCON: SLOPE COMPENSATION RAMP CONTROL REGISTER

U-0	R/W-0	R/W-x	R/W-x	R/W-x	R/W-x	R/W-x	R/W-x
—	SLPBY	SLPS5	SLPS4	SLPS3	SLPS2	SLPS1	SLPS0
bit 7							bit 0

#### Legend:

R = Readable bit                      W = Writable bit                      U = Unimplemented bit, read as '0'  
u = Bit is unchanged                      x = Bit is unknown                      -n = Value at POR  
'1' = Bit is set                              '0' = Bit is cleared

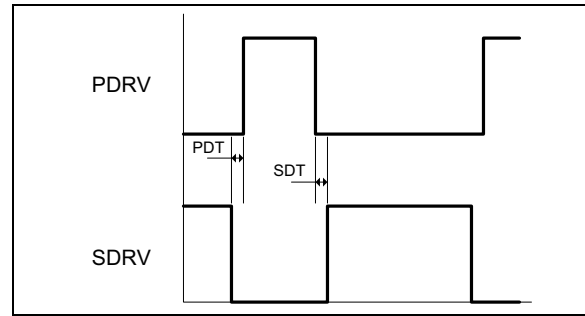
bit 7                      **Unimplemented:** Read as '0'  
bit 6                      **SLPBY:** Slope Compensation Bypass Control bit  
                                    1 = Slope compensation is Bypassed  
                                    0 = Slope compensation is not Bypassed  
bit 5-0                      **SLPS<5:0>:** Slope Compensation Slew Rate Control bits  
                                     $SLPS (mV/\mu s) = 4.6 mV/\mu s * 1.08^{(dec)}$

## 6.7 MOSFET Driver Programmable Dead Time

The turn-on dead time of both PDRV and SDRV low-side drive signals can be configured independently to allow different MOSFETs and circuit board layouts to be used to construct an optimized system (refer to Figure 6-1).

Clearing the PDRVBY and SDRVBY bits in the PE1 register enables the PDRV and SDRV low-side dead timers respectively. The amount of dead time added is controlled in the DEADCON register.

**FIGURE 6-1: MOSFET DRIVER DEAD TIME**



### REGISTER 6-10: DEADCON: DRIVER DEAD TIME CONTROL REGISTER

R/W-x	R/W-x	R/W-x	R/W-x	R/W-x	R/W-x	R/W-x	R/W-x
PDRVDT3	PDRVDT2	PDRVDT1	PDRVDT0	SDRVDT3	SDRVDT2	SDRVDT1	SDRVDT0
bit 7							bit 0

#### Legend:

R = Readable bit                      W = Writable bit                      U = Unimplemented bit, read as '0'  
 u = Bit is unchanged                  x = Bit is unknown                  -n = Value at POR  
 '1' = Bit is set                          '0' = Bit is cleared

bit 7-4                      **PDRVDT<3:0>**: PDRV Dead Time Configuration bits ( $t_{TD\_1}$ )

- 0000 = 16 ns delay
- 0001 = 32 ns delay
- 0010 = 48 ns delay
- 0011 = 64 ns delay
- 0100 = 80 ns delay
- 0101 = 96 ns delay
- 0110 = 112 ns delay
- 0111 = 128 ns delay
- 1000 = 144 ns delay
- 1001 = 160 ns delay
- 1010 = 176 ns delay
- 1011 = 192 ns delay
- 1100 = 208 ns delay
- 1101 = 224 ns delay
- 1110 = 240 ns delay
- 1111 = 256 ns delay

bit 3-0                      **SDRVDT<3:0>**: SDRV Dead Time Configuration bits ( $t_{TD\_2}$ )

- 0000 = 16 ns delay
- 0001 = 32 ns delay
- 0010 = 48 ns delay
- 0011 = 64 ns delay
- 0100 = 80 ns delay
- 0101 = 96 ns delay
- 0110 = 112 ns delay
- 0111 = 128 ns delay
- 1000 = 144 ns delay
- 1001 = 160 ns delay
- 1010 = 176 ns delay
- 1011 = 192 ns delay
- 1100 = 208 ns delay
- 1101 = 224 ns delay
- 1110 = 240 ns delay
- 1111 = 256 ns delay

# MCP19114/5

## 6.8 Output Regulation Reference Voltage Configuration

The VREFCON register controls the error amplifier reference voltage. This reference is used to set the current or voltage regulation set point. VREFCON holds the digital value used by an 8-bit linear DAC setting the analog equivalent that gets summed with the pedestal voltage (VZC) at the noninverting node of the error amplifier. VZC is equal to the band gap voltage (1.23V). The output of the current sense amplifier A2 is also raised on the pedestal voltage, effectively canceling its effect on the input. The pedestal is implemented throughout the analog control loop to improve accuracy at low levels. The VREF DAC can be adjusted in 255 steps of 4.8 mV/step.

### REGISTER 6-11: VREFCON: CURRENT/VOLTAGE REGULATION SET POINT CONTROL REGISTER

R/W-0	R/W-0	R/W-0	R/W-0	R/W-0	R/W-0	R/W-0	R/W-0
VREF7	VREF6	VREF5	VREF4	VREF3	VREF2	VREF1	VREF0
bit 7							bit 0

#### Legend:

R = Readable bit

W = Writable bit

U = Unimplemented bit, read as '0'

u = Bit is unchanged

x = Bit is unknown

-n = Value at POR

'1' = Bit is set

'0' = Bit is cleared

bit 7-0 **VREF<7:0>**: Voltage-Controlling Current Regulation Set Point bits  
 $VREF(V) = V_{BG} * (VREF(dec)/255)$

To ensure the best regulation accuracy while implementing the Current Sense Amplifier (A2), the initial gain error must be considered. An 8-bit factory-stored calibration value A2CAL<7:0> has been stored in CALWD10 at 208Bh. This value can be used to compensate for A2 gain error by adjusting the VREF command.

To get the final commanded value, the CALWD10 value gets multiplied by the original  $V_{REF}$  decimal command using the  $V_{REF}$  expression, resulting in a 16-bit word. Rotating the 16 bit result right produces the final compensated command in the least significant byte. The most significant byte is unused.

An example of the firmware is as follows:

### EXAMPLE 6-2: EXAMPLE A2 GAIN CORRECTION

```
//Assumes that calibration word A2CAL has been read into variable A2COMP

unsigned int VREF1_TEMP = VREFCON*A2COMP;           // A2 Gain compensate for VREFCON
VREF1_TEMP >>= 7;
VREF1_TEMP &= 0x00FF;
VREFCON = VREF1_TEMP;
```

## 6.9 V<sub>REF2</sub> Voltage Reference

The VREF2CON register controls a second reference DAC that can be used externally. For example, it can be sent off chip and used to set the current regulation set point for a MCP1631 Pulse-Width Modulator. The MCP19114/5 must be configured in Main Mode with bits MSC<0:1> = 01 in the MODECON register to

connect V<sub>REF2</sub> to GPB1. In Stand-Alone mode, V<sub>REF2</sub> is not accessible. VREFCON2 holds the digital value used to set the VREF2 DAC. Since this reference is intended to go off chip, there is no pedestal offset associated with it and it is referenced to GND. It is an 8-bit linear DAC and has a range from 0V to 1.23V (BG) equating to 255 steps at 4.8 mV/step.

### REGISTER 6-12: VREF2CON: V<sub>REF2</sub> VOLTAGE SET POINT REGISTER

R/W-0	R/W-0	R/W-0	R/W-0	R/W-0	R/W-0	R/W-0	R/W-0
VREF27	VREF26	VREF25	VREF24	VREF23	VREF22	VREF21	VREF20
bit 7							bit 0

#### Legend:

R = Readable bit	W = Writable bit	U = Unimplemented bit, read as '0'
u = Bit is unchanged	x = Bit is unknown	-n = Value at POR
'1' = Bit is set	'0' = Bit is cleared	

bit 7-0 **VREF2<7:0>**: Voltage Controlling Current Regulation Set point bits

$$V_{REF2(V)} = V_{BG} * (VREF2(dec)/255)$$

The A/D converter Calibration Word 8 can be used to improve V<sub>REF2</sub> accuracy. An ADC measurement target (target in [Example 6-3](#)) is obtained by multiplying the desired VREF2 voltage (VREF2TARGET) by the ADC gain (ADCC). V<sub>REF2</sub> is adjusted until the ADC reading equals or exceeds the target.

An example of V<sub>REF2</sub>- correction firmware is as follows:

#### EXAMPLE 6-3: VREF2 CORRECTION ROUTINE

```
// Assumes that the calibration word ADCCAL has been read into variable ADCC

extern volatile unsigned int ADRES @ 0x01C;
#define VREF2TARGET (unsigned int) 0x02CC // VREF2 Target = 0.7 V(1)
unsigned long tmp = (unsigned long)ADCC*VREF2TARGET; // ADC Reference
unsigned int target = (unsigned int)(tmp >> 15) - 3; // Subtract ADC typical offset error 3
unsigned int adc;

VREF2CON = 0x00; // Clear VREF2CON
ADCON = 0x71; // Enable ADC and set channel to GPB1/VREF2

do { // Adjust VREF2CON
    VREF2CON++;
    NOP(); NOP();
    adc = 0;
    for (unsigned char i = 4; i > 0; i--) {
        ADCON0bits.GO_nDONE = 1;
        while (ADCON0bits.GO_nDONE);
        adc += ADRES;
    }
    adc >>= 2;
} while ((adc < target) && (VREF2CON != 0xFF));
```

**Note 1:** In this example, the LSb weight of VREF2TARGET is set to 1/(2<sup>10</sup>) Volt. Users can choose their own resolution depending on their accuracy requirement. The digital value of 0.7V is determined as follows: TRUNC(0.7 x 2<sup>10</sup>) = 716 (0x02CC hex).

# MCP19114/5

## 6.10 Analog Peripheral Control

The MCP19114/5 have various analog peripherals. These peripherals can be configured to allow customizable operation. Refer to [Register 6-13](#) for more information.

### 6.10.1 MOSFET GATE DRIVER ENABLES

The MCP19114/5 can enable and/or disable the MOSFET gate driver outputs for the primary drive (PDRV) and the secondary drive (SDRV) independently. Setting the <PDRVEN> bit in the PE1 register enables the primary drive. Setting the <SDRVEN> bit in the PE1 register enables the secondary drive. Refer to [Register 6-13](#) for details.

### 6.10.2 MOSFET DRIVER DEAD TIME

As described in [Section 6.7 “MOSFET Driver Programmable Dead Time”](#), the MOSFET drive dead time can be adjusted. The dead time can be set independently for each driver from 16 ns to 256 ns in increments of 16 ns using the DEADCON register. Dead time can also be disabled for each driver independently by setting the bypass bits <PDRVBY> and <SDRVBY> in the PE1 register.

### 6.10.3 SECONDARY CURRENT POSITIVE SENSE PULL-UP

A high-impedance pull-up on the I<sub>SP</sub> pin can be configured by setting the <ISPUEN> bit in the PE1 register. When set, the I<sub>SP</sub> pin is internally pulled-up to V<sub>DD</sub>. Refer to [Register 6-13](#) for details.

### 6.10.4 PWM STEERING

The MCP19114/5 have additional control circuitry to allow open-loop repositioning of the output. The PWMSTR\_PEN bit enables a primary-only PWM signal of fixed frequency and duty cycle to reposition the output voltage up. The PWMSTR\_SEN bit enables a secondary-only PWM signal of fixed frequency and duty cycle to reposition the output voltage down. When repositioning output voltage down, the output overvoltage protection must be active along with PWMSTR\_SEN for the PWM to pulse the SDRV. Frequency and duty cycle are controlled through TMR2 registers PR2 and TMR1L. PWMSTPR\_PEN and PWMSTR\_SEN should never be active at the same time, therefore the PWMSTPR\_PEN is the dominant bit. For quasi-resonant operation during open-loop repositioning, the DESAT comparator output should be disabled with the <CDSOE> bit in the DEADCON register.

## REGISTER 6-13: PE1: ANALOG PERIPHERAL ENABLE1 CONTROL REGISTER

R/W-0	R/W-0	R/W-0	R/W-0	U-0	R/W-1	R/W-0	R/W-0
PDRVEN	SDRVEN	PDRVBY	SDRVBY	—	ISPUEN	PWMSTR_PEN	PWMSTR_SEN
bit 7						bit 0	

### Legend:

R = Readable bit	W = Writable bit	U = Unimplemented bit, read as '0'
u = Bit is unchanged	x = Bit is unknown	-n = Value at POR
'1' = Bit is set	'0' = Bit is cleared	

- bit 7      **PDRVEN:** PDRV Gate Drive Enable bit  
1 = ENABLED  
0 = DISABLED
- bit 6      **SDRVEN:** SDRV Gate Drive Enable bit  
1 = ENABLED  
0 = DISABLED
- bit 5      **PDRVBY:** PDRV Dead Time Bypass bit  
1 = PDRV dead time is bypassed  
0 = PDRV dead time is not bypassed
- bit 4      **SDRVBY:** SDRV Dead Time Bypass bit  
1 = SDRV dead time is bypassed  
0 = SDRV dead time is not bypassed.
- bit 3      **Unimplemented:** Read as '0'
- bit 2      **ISPUEN:** I<sub>SP</sub> Weak Pull-Up Enable bit  
1 = I<sub>SP</sub> weak pull-up is enabled  
0 = I<sub>SP</sub> weak pull-up is disabled

## REGISTER 6-13: PE1: ANALOG PERIPHERAL ENABLE1 CONTROL REGISTER (CONTINUED)

- bit 1      **PWMSTR\_PEN:** PDRV PWM Steering bit  
           1 = Enables open-loop PWM control to the PDRV  
           0 = Disables open-loop PWM control to the PDRV
- bit 0      **PWMSTR\_SEN:** SDRV PWM Steering bit  
           1 = Enables open-loop PWM control to the SDRV  
           0 = Disables open-loop PWM control to the SDRV

### 6.11 Analog Blocks Enable Control

Various analog circuit blocks can be enabled or disabled, as shown in the ABECON register. The ABECON register also contains bits controlling analog and digital test signals. These signals can be configured to GPA0. Setting the <DIGOEN> bit enables the digital test signals to be connected to GPA0. <DSEL2:0> selects the digital channels. Setting <ANAOEN> enables the analog test signals to be connected to GPA0. If <ANAOEN> and <DIGOEN> both get set, the DIGOEN bit takes priority. When ANAOEN is not set, the analog test signals are connected to the internal ADC. The analog test channel selections are controlled through the ADCON0 register.

### 6.11.2 ERROR AMPLIFIER DISABLE

The error amplifier can be disabled such that its output is parked to a known state. The <EADIS> bit defaults to zero and the error amp is enabled during normal operation. In case the user wants to disable the error amplifier, setting the EADIS bit parks the error amplifier output to just below the low clamp voltage. Under normal operation, the error amplifier output runs between  $2 * BG$  (upper clamp value) and  $1 * BG - 150 \text{ mV}$  (lower clamp value). The analog feedback circuitry utilizes an offset pedestal ( $1 * BG$ ) to improve accuracy at low levels.

#### 6.11.1 MOSFET DRIVER UNDERVOLTAGE LOCKOUT SELECTION

The MOSFET gate drivers have internal undervoltage protection that is controlled by the <DRUVSEL> bit in the ABECON register. Since the gate drive supply is provided externally through the  $V_{DR}$  pin, the drivers are capable of driving logic level FETs or higher 10V (13.5V maximum) FETs. <DRUVSEL> defaults to clear, therefore selecting a gate drive UVLO of 2.7V. Setting <DRUVSEL> selects the higher 5.4V gate drive UVLO. Refer to [Section 4.2 “Electrical Characteristics”](#) for additional electrical specifications.

## REGISTER 6-14: ABECON: ANALOG BLOCK ENABLE CONTROL REGISTER

R/W-0	R/W-0	R/W-0	R/W-0	R/W-0	U-0	R/W-0	R/W-0
DIGOEN	DSEL2	DSEL1	DSEL0	DRUVSEL	—	EADIS	ANAOEN
bit 7						bit 0	

#### Legend:

R = Readable bit	W = Writable bit	U = Unimplemented bit, read as '0'
u = Bit is unchanged	x = Bit is unknown	-n = Value at POR
'1' = Bit is set	'0' = Bit is cleared	

- bit 7      **DIGOEN:** DIG Test MUX to GPA0 connection control  
           1 = DIG Test MUX output is connected to external pin GPA0  
           0 = DIG Test MUX output is not connected to external pin GPA0

# MCP19114/5

---

## REGISTER 6-14: ABECON: ANALOG BLOCK ENABLE CONTROL REGISTER (CONTINUED)

- bit 6-4     **DSEL<2:0>**  
000 = QRS (Output of DESAT comparator)  
001 = PWM\_L (PWM output after monostable)  
010 = PWM (Oscillator output from the micro-controller)  
011 = TMR2EQ (When TMR2 equals PR2)  
100 = OV (Overvoltage comparator output)  
101 = SWFRQ (Switching Frequency Output)  
110 = SDRV\_ON\_ONESHOT (200 nS one-shot signal to reset WDM logic)  
111 = Unimplemented
- bit 3     **DRUVSEL:** Selects gate drive undervoltage lockout level  
1 = Gate Drive UVLO set to 5.4V  
0 = Gate Drive UVLO set to 2.7V
- bit 2     **Unimplemented:** Read as '0'
- bit 1     **EADIS:** Error Amplifier Disable bit  
1 = Disables the error amplifier (Output parked low, clamped to 1 \* BG)  
0 = Enables the error amplifier (Normal operation)
- bit 0     **ANA0EN:** Analog MUX Output Control bit  
1 = Analog MUX output is connected to external pin GPA0  
0 = Analog MUX output is not connected to external pin GPA0

## 6.12 Mode and RFB MUX Control

The MODECON register controls the Main/Secondary configuration and the internal resistor feedback MUX for the current sense amplifier while in quasi-resonant mode.

In Main/Secondary mode, it allows the  $V_{REF2}$  signal of the Main MCP19115 device to be buffered and connected to a GPIO pin. This output signal can be connected to a Secondary PWM driver (MCP1631) at the  $V_{REF}$  input to regulate current via the Secondary PWM Controller. In Stand-Alone mode, the  $V_{REF2}$  unity gain buffer is not connected to a separate GPIO Pin.

The RFB MUX selects the output of A2 current sense amplifier to be connected to the internal 5 k $\Omega$  feedback resistor (quasi-resonant) or to the  $I_{SOUT}$  pin.

**REGISTER 6-15: MODECON: MAIN/SECONDARY AND RFB MUX CONTROL REGISTER**

R/W-0	R/W-0	R/W-0	U-0	U-0	U-0	U-0	U-0
MSC1	MSC0	RFB	—	—	—	—	—
bit 7							bit 0

**Legend:**

R = Readable bit	W = Writable bit	U = Unimplemented bit, read as '0'
u = Bit is unchanged	x = Bit is unknown	-n = Value at POR
'1' = Bit is set	'0' = Bit is cleared	

bit 7-6 **MSC<1:0>**: Main/Secondary Configuration bits

- 00 = Device set as stand-alone unit
- 01 = Device set as MAIN
- 10 = Device set as SECONDARY
- 11 = RESERVED

bit 5 **RFB**: Current Sense Amplifier (A2) output resistor feedback MUX Configuration bit

- 0 =  $R_{FB\_INT}$  5 k $\Omega$
- 1 =  $I_{SOUT}$

bit 4-0 **Unimplemented**: Read as '0'

# MCP19114/5

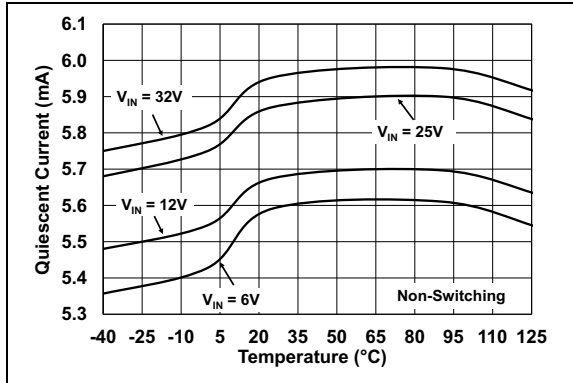
---

NOTES:

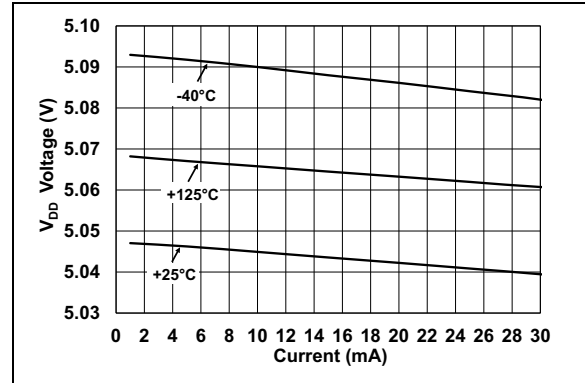
## 7.0 TYPICAL PERFORMANCE CURVES

**Note:** The graphs and tables provided following this note are a statistical summary based on a limited number of samples and are provided for informational purposes only. The performance characteristics listed herein are not tested or guaranteed. In some graphs or tables, the data presented may be outside the specified operating range (e.g., outside specified power supply range) and therefore, outside the warranted range.

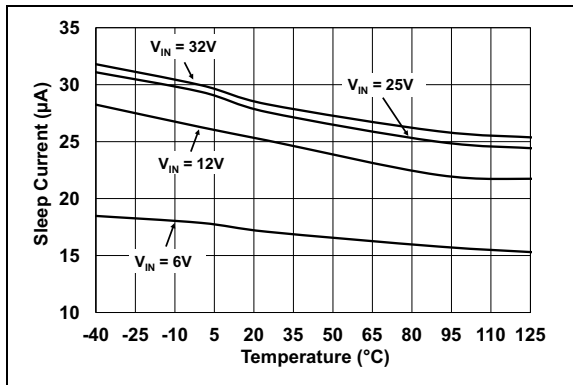
**Note:** Unless otherwise indicated,  $V_{IN} = 12V$ ,  $F_{SW} = 150\text{ kHz}$ ,  $T_A = +25^\circ\text{C}$ .



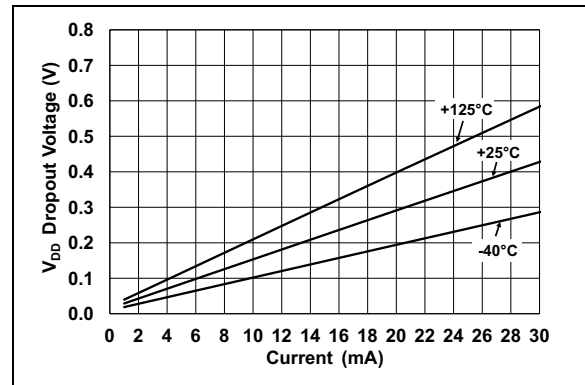
**FIGURE 7-1:**  $I_Q$  vs. Temperature.



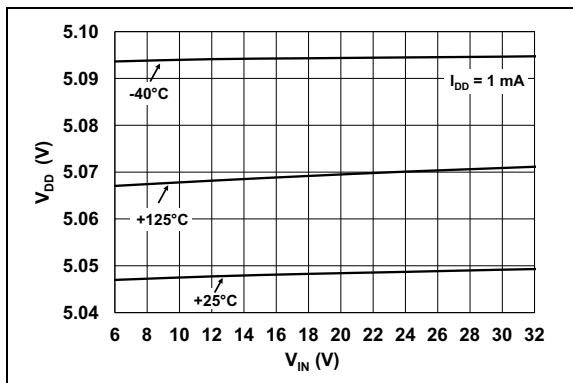
**FIGURE 7-4:** Load Regulation.



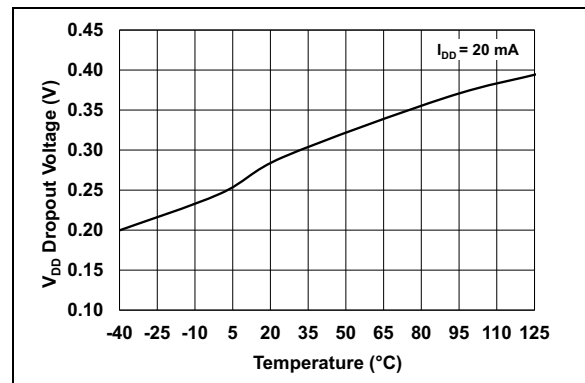
**FIGURE 7-2:**  $I_Q$  vs. Temperature in Sleep Mode.



**FIGURE 7-5:**  $V_{DD}$  Dropout Voltage vs. Output Current (mA).



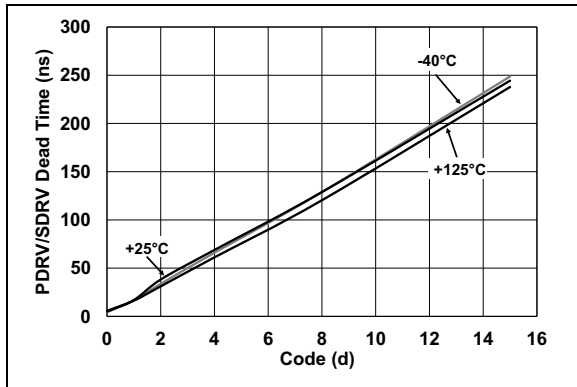
**FIGURE 7-3:** Line Regulation.



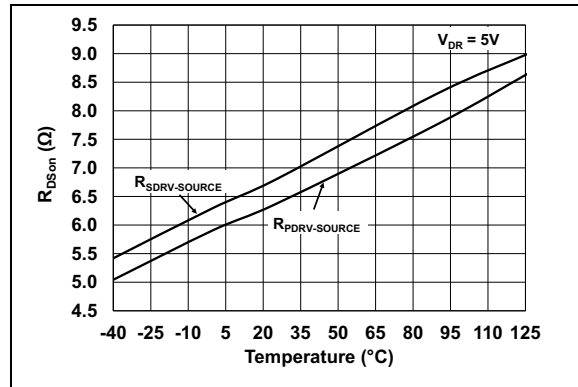
**FIGURE 7-6:**  $V_{DD}$  Dropout Voltage vs. Temperature.

# MCP19114/5

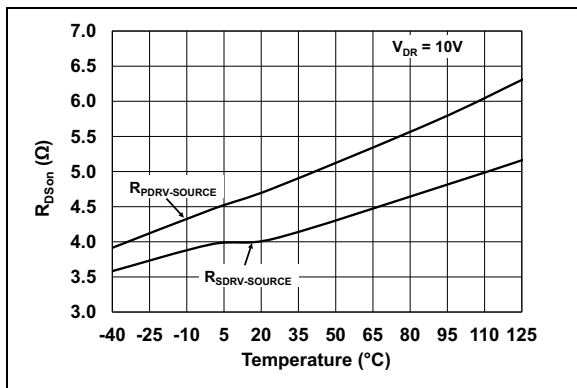
Note: Unless otherwise indicated,  $V_{IN} = 12V$ ,  $F_{SW} = 150\text{ kHz}$ ,  $T_A = +25^\circ\text{C}$ .



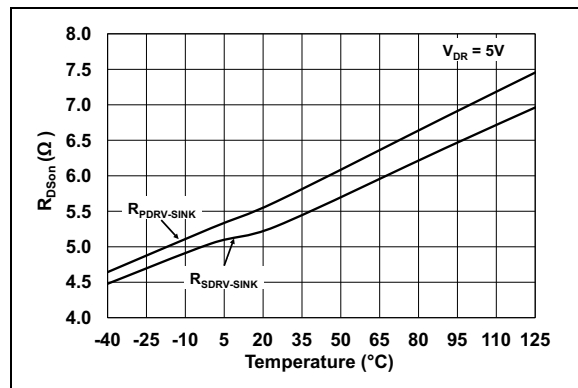
**FIGURE 7-7:** Output Driver Dead Time vs. Code and Temperature.



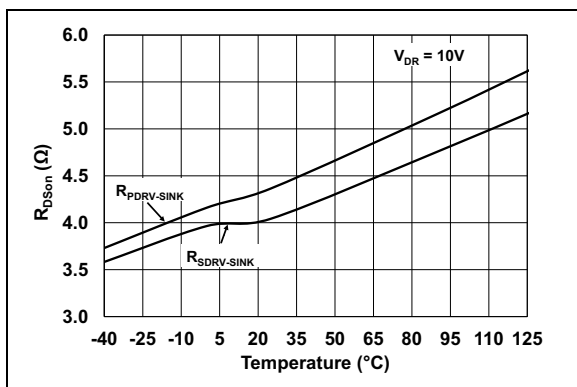
**FIGURE 7-10:** Sourcing Output Driver  $R_{DSon}$  vs. Temperature.



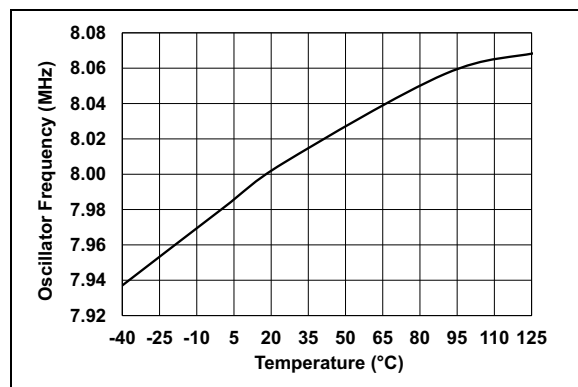
**FIGURE 7-8:** Sourcing Output Driver  $R_{DSon}$  vs. Temperature.



**FIGURE 7-11:** Sinking Output Driver  $R_{DSon}$  vs. Temperature.

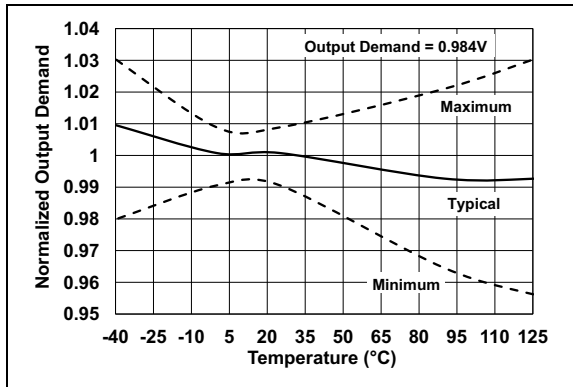


**FIGURE 7-9:** Sinking Output Driver  $R_{DSon}$  vs. Temperature.

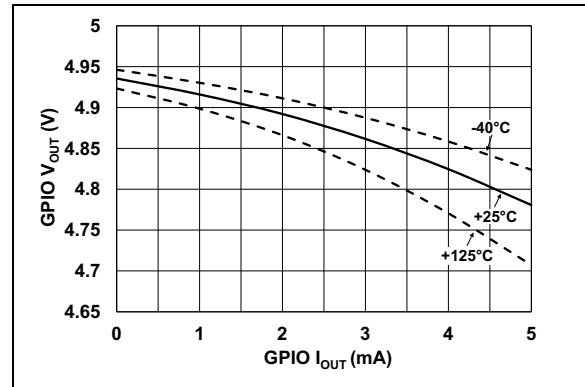


**FIGURE 7-12:** Oscillator Frequency vs. Temperature.

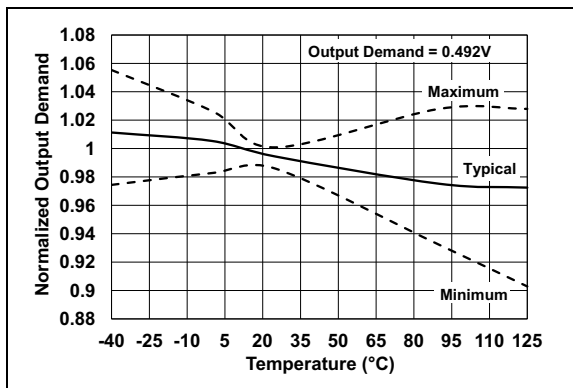
**Note:** Unless otherwise indicated,  $V_{IN} = 12V$ ,  $F_{SW} = 150\text{ kHz}$ ,  $T_A = +25^\circ\text{C}$ .



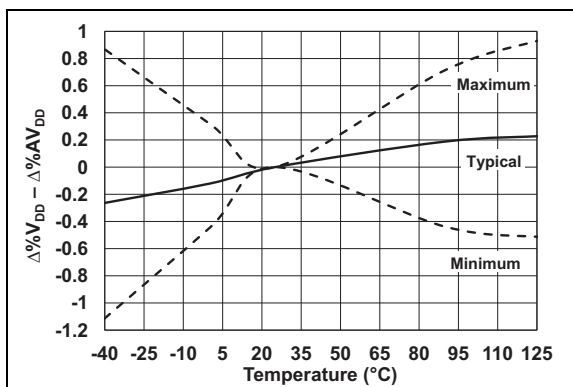
**FIGURE 7-13:** Normalized Output Demand vs. Temperature.



**FIGURE 7-16:** Average GPIO Output Voltage vs. Current.



**FIGURE 7-14:** Normalized Output Demand vs. Temperature.



**FIGURE 7-15:**  $V_{DD}$  vs.  $AV_{DD}$  Temperature Drift Tracking.

# MCP19114/5

---

NOTES:

## 8.0 SYSTEM BENCH TESTING

Control of the signals present at the output of the unity gain analog buffer is found in the ADCON0 register.

To allow for easier system design and bench testing, the MCP19114/5 feature a multiplexer used to output various internal analog signals. These signals can be measured on the GPA0 pin through a unity gain buffer. The configuration control of the GPA0 pin is found in the ABECON register.

### REGISTER 8-1: ADCON0: ANALOG-TO-DIGITAL CONTROL REGISTER

U-0	R/W-0	R/W-0	R/W-0	R/W-0	R/W-0	R/W-0	R/W-0
—	CHS4	CHS3	CHS2	CHS1	CHS0	GO/DONE	ADON
bit 7							bit 0

#### Legend:

R = Readable bit	W = Writable bit	U = Unimplemented bit, read as '0'
u = Bit is unchanged	x = Bit is unknown	-n = Value at POR
'1' = Bit is set	'0' = Bit is cleared	

bit 7	<b>Unimplemented:</b> Read as '0'
bit 6-2	<p><b>CHS&lt;4:0&gt;:</b> Analog Channel Select bits</p> <p>00000 = <math>V_{IN}/n</math> analog voltage measurement (<math>V_{IN}/15.5</math>)</p> <p>00001 = <math>V_{REF} + V_{ZC}</math> (DAC reference voltage + VZC pedestal setting current regulation level)</p> <p>00010 = OV_REF (reference for overvoltage comparator)</p> <p>00011 = <math>V_{BGR}</math> (band gap reference)</p> <p>00100 = <math>V_S</math> (voltage proportional to <math>V_{OUT}</math>)</p> <p>00101 = EA_SC (error amplifier after slope compensation output)</p> <p>00110 = A2 (secondary current sense amplifier output at <math>R_{FB\_INT}</math> connection)</p> <p>00111 = PEDESTAL (Pedestal Voltage)</p> <p>01000 = RESERVED</p> <p>01001 = RESERVED</p> <p>01010 = IP_ADJ (IP after Pedestal and Offset Adjust (at PWM Comparator))</p> <p>01011 = IP_OFF_REF (IP Offset Reference)</p> <p>01100 = <math>V_{DR}/n</math> (<math>V_{DR}/n</math> analog driver voltage measurement = <math>0.23V/V * V_{DR}</math>)</p> <p>01101 = TEMP_SNS (analog voltage representing internal temperature)</p> <p>01110 = DLL_VCON (Delay Locked Loop Voltage Reference - control voltage for dead time)</p> <p>01111 = SLPCMP_REF (slope compensation reference)</p> <p>10000 = Unimplemented</p> <p>10001 = Unimplemented</p> <p>10010 = Unimplemented</p> <p>10011 = Unimplemented</p> <p>10100 = Unimplemented</p> <p>10101 = Unimplemented</p> <p>10110 = Unimplemented</p> <p>10111 = Unimplemented</p> <p>11000 = GPA0/AN0 (i.e. ADDR1)</p> <p>11001 = GPA1/AN1 (i.e. ADDR0)</p> <p>11010 = GPA2/AN2 (i.e. Temperature Sensor Input)</p> <p>11011 = GPA3/AN3 (i.e. BIN)</p> <p>11100 = GPB1/AN4</p> <p>11101 = GPB4/AN5 (MCP19115 Only)</p> <p>11110 = GPB5/AN6 (MCP19115 Only)</p> <p>11111 = GPB6/AN7 (MCP19115 Only)</p>
bit 1	<p><b>GO/DONE:</b> A/D Conversion Status bit</p> <p>1 = A/D conversion cycle in progress. Setting this bit starts an A/D conversion cycle. This bit is automatically cleared by hardware when the A/D conversion has completed.</p> <p>0 = A/D conversion completed/not in progress</p>
bit 0	<p><b>ADON:</b> A/D Conversion Enable bit</p> <p>1 = A/D converter module is operating</p> <p>0 = A/D converter is shut off and consumes no operating current</p>

# MCP19114/5

---

NOTES:

## 9.0 DEVICE CALIBRATION

Read-only memory locations 2080h through 208Fh contain factory calibration data. Refer to [Section 17.0 “Flash Program Memory Control”](#) for information on how to read from these memory locations.

### 9.1 Calibration Word 1

Calibration Word 1 is at memory location 2080h. The DCSRFB<6:0> bits set the offset calibration for the current sense differential amplifier (A2) when configured using the internal feedback resistor. A calibration range of  $\pm 30$  mV is provided with 20h and 00h being midscale (no offset). The MSB is polarity only. Firmware must read these values and write them into the DCSCAL register to implement offset calibration.

#### REGISTER 9-1: CALWD1: CALIBRATION WORD 1 REGISTER

U-0	U-0	U-0	U-0	U-0	U-0
—	—	—	—	—	—
bit 13					bit 8

U-0	R/P-1	R/P-1	R/P-1	R/P-1	R/P-1	R/P-1	R/P-1
—	DCSRFB6	DCSRFB5	DCSRFB4	DCSRFB3	DCSRFB2	DCSRFB1	DCSRFB0
bit 7							bit 0

#### Legend:

R = Readable bit  
-n = Value at POR

P = Programmable bit  
'1' = Bit is set

U = Unused bit, read as '0'  
'0' = Bit is cleared

x = Bit is unknown

bit 13-7 **Unimplemented:** Read as '0'

bit 6-0 **DCSRFB<6:0>:** Input Differential Current Sense Calibration bits when configured using internal feedback resistor

# MCP19114/5

## 9.2 Calibration Word 2

Calibration Word 2 is at memory location 2081h. It contains the calibration bits for the desaturation comparator current measurement input offset. Firmware must read these values and write them into the DSTCAL register to implement the factory offset calibration. The factory offset calibration will minimize offset voltage. The desaturation comparator is one of the few examples where the user may want to implement their own offset voltage values. Writing user defined values to the DSTCAL register provides this flexibility. This register also contains the trim bits needed to trim the internal 5k feedback resistor to within 2% using the <RFBT5:0> bits. Firmware must read these values and write them into the RFBTCAL register to implement the factory-trimmed feedback resistor value.

### REGISTER 9-2: CALWD2: CALIBRATION WORD 2 REGISTER

U-0	R/P-1	R/P-1	R/P-1	R/P-1	R/P-1
—	DST4	DST3	DST2	DST1	DST0
bit 13					bit 8

U-0	U-0	R/P-1	R/P-1	R/P-1	R/P-1	R/P-1	R/P-1
—	—	RFBT5	RFBT4	RFBT3	RFBT2	RFBT1	RFBT0
bit 7							bit 0

#### Legend:

R = Readable bit                      P = Programmable bit                      U = Unused bit, read as '0'  
 -n = Value at POR                      '1' = Bit is set                      '0' = Bit is cleared                      x = Bit is unknown

- bit 13                      **Unimplemented:** Read as '0'
- bit 12-8                      **DST<4:0>:** Desaturation Comparator Current Measure Offset calibration bits
  - 11111 = Maximum negative offset calibration (-30 mV)
  - 
  - 
  - 
  - 10000 = Mid scale (0 mV)
  - 00000 = Mid scale (0 mV)
  - 
  - 
  - 
  - 01111 = Maximum positive offset calibration (+30 mV)
- bit 7-6                      **Unimplemented:** Read as '0'
- bit 5-0                      **RFBT<5:0>:** Internal Feedback Resistor Trim bits

## 9.3 Calibration Word 3

The VRO<5:0> bits at memory location 2082h calibrate the offset of the buffer amplifier of the output voltage regulation reference set point ( $V_{REF}$ ). Firmware must read these values and write them to the VROCAL register for proper calibration.

The BGR<3:0> bits at memory location 2082h calibrate the band gap reference. Firmware must read these values and write them to the BGRCAL register for proper calibration.

### REGISTER 9-3: CALWD3: CALIBRATION WORD 3 REGISTER

R/P-1	R/P-1	R/P-1	R/P-1	R/P-1	R/P-1
VRO5	VRO4	VRO3	VRO2	VRO1	VRO0
bit 13					bit 8

U-0	U-0	U-0	U-0	R/P-1	R/P-1	R/P-1	R/P-1
—	—	—	—	BGR3	BGR2	BGR1	BGR0
bit 7							bit 0

#### Legend:

R = Readable bit  
-n = Value at POR

P = Programmable bit  
'1' = Bit is set

U = Unused bit, read as '0'  
'0' = Bit is cleared

x = Bit is unknown

bit 13-8      **VRO<5:0>**: Reference voltage ( $V_{REF}$ ) offset calibration bits

bit 7-4      **Unused**: Read as '0'

bit 3-0      **BGR<3:0>**: Band gap reference calibration bits

## 9.4 Calibration Word 4

The TTA<3:0> bits at memory location 2083h contain the calibration bits for the factory-set overtemperature threshold. Firmware must read these values and write them into the TTACAL register for proper calibration.

### REGISTER 9-4: CALWD4: CALIBRATION WORD 4 REGISTER

U-0	U-0	U-0	U-0	U-0	U-0
—	—	—	—	—	—
bit 13					bit 8

U-0	U-0	U-0	U-0	R/P-1	R/P-1	R/P-1	R/P-1
—	—	—	—	TTA3	TTA2	TTA1	TTA0
bit 7							bit 0

#### Legend:

R = Readable bit  
-n = Value at POR

P = Programmable bit  
'1' = Bit is set

U = Unused bit, read as '0'  
'0' = Bit is cleared

x = Bit is unknown

bit 13-4      **Unimplemented**: Read as '0'

bit 3-0      **TTA<3:0>**: Overtemperature threshold calibration bits

# MCP19114/5

## 9.5 Calibration Word 5

The TANA<9:0> bits at memory location 2084h contain the ADC reading from the internal temperature sensor when the silicon temperature is at 30°C. The temperature coefficient of the internal temperature sensor is 14 mV/°C.

### REGISTER 9-5: CALWD5: CALIBRATION WORD 5 REGISTER

U-0	U-0	U-0	U-0	R/P-1	R/P-1
—	—	—	—	TANA9	TANA8
bit 13				bit 8	

R/P-1	R/P-1	R/P-1	R/P-1	R/P-1	R/P-1	R/P-1	R/P-1
TANA7	TANA6	TANA5	TANA4	TANA3	TANA2	TANA1	TANA0
bit 7							bit 0

#### Legend:

R = Readable bit                      P = Programmable bit                      U = Unused bit, read as '0'  
-n = Value at POR                      '1' = Bit is set                      '0' = Bit is cleared                      x = Bit is unknown

bit 13-10                      **Unimplemented:** Read as '0'

bit 9-0                      **TANA<9:0>:** ADC reading of internal silicon temperature at 30°C calibration bits

## 9.6 Calibration Word 6

The FCAL<6:0> bits at memory location 2085h set the internal oscillator calibration. Firmware must read these values and write them to the OSCCAL register for proper calibration.

### REGISTER 9-6: CALWD6: CALIBRATION WORD 6 REGISTER

U-0	U-0	U-0	U-0	U-0	U-0
—	—	—	—	—	—
bit 13					bit 8

U-0	R/P-1	R/P-1	R/P-1	R/P-1	R/P-1	R/P-1	R/P-1
—	FCAL6	FCAL5	FCAL4	FCAL3	FCAL2	FCAL1	FCAL0
bit 7							bit 0

#### Legend:

R = Readable bit                      P = Programmable bit                      U = Unused bit, read as '0'  
-n = Value at POR                      '1' = Bit is set                      '0' = Bit is cleared                      x = Bit is unknown

bit 13-7                      **Unimplemented:** Read as '0'

bit 6-0                      **FCAL<6:0>:** Internal oscillator calibration bits

## 9.7 Calibration Word 7

The DCS<6:0> bits at memory location 2086h store the factory-set offset calibration for the current sense differential amplifier (A2) when configured using I<sub>SOUT</sub>. A configuration range of ±30 mV is provided with 20h and 00h being midscale (no offset). The MSB is polarity only. Firmware must read this value into the DCSCAL register to implement offset calibration. If using the internal feedback resistor, refer to [Register 9-1](#).

### REGISTER 9-7: CALWD7: CALIBRATION WORD 7 REGISTER

U-0	U-0	U-0	U-0	U-0	U-0
—	—	—	—	—	—
bit 13					bit 8

U-0	R/P-1	R/P-1	R/P-1	R/P-1	R/P-1	R/P-1	R/P-1
—	DCS6	DCS5	DCS4	DCS3	DCS2	DCS1	DCS0
bit 7							bit 0

#### Legend:

R = Readable bit

P = Programmable bit

U = Unimplemented bit, read as '0'

-n = Value at POR

'1' = Bit is set

'0' = Bit is cleared

x = Bit is unknown

bit 13-7 **Unimplemented:** Read as '0'

bit 6-0 **DCS<6:0>:** Differential Current Sense Amplifier Calibration bits when used with I<sub>SOUT</sub>.

# MCP19114/5

## 9.8 Calibration Word 8

The ADCCAL<13:0> bits at memory location 2089h contain the calibration bits for the A/D converter. Calibration Word 8 (ADCCAL <13:0>) contains the factory measurement of the full scale ADC Reference. The value represents the number of A/D converter counts per volt. ADCC<4:0> bits represent the fraction of an A/D converter count, which can provide additional precision when oversampling the ADC for enhanced resolution. This calibration word can be used to calibrate signals read by the Analog-to-Digital Converter.

### REGISTER 9-8: CALWD8: CALIBRATION WORD 8 REGISTER

R/P-1	R/P-1	R/P-1	R/P-1	R/P-1	R/P-1
ADCC13	ADCC12	ADCC11	ADCC10	ADCC9	ADCC8
bit 13					bit 8

R/P-1	R/P-1	R/P-1	R/P-1	R/P-1	R/P-1	R/P-1	R/P-1
ADCC7	ADCC6	ADCC5	ADCC4	ADCC3	ADCC2	ADCC1	ADCC0
bit 7							bit 0

#### Legend:

R = Readable bit	P = Programmable bit	U = Unimplemented bit, read as '0'
-n = Value at POR	'1' = Bit is set	'0' = Bit is cleared      x = Bit is unknown

bit 13-5      **ADCC<13:5>**: Whole number of A/D converter count

111111111 = 511

•

•

•

000000000 = 0

bit 4-0      **ADCC<4:0>**: Fraction number of A/D converter count

11111 = 0.96875

•

•

•

00001 = 0.03125

00000 = 0.00000

## 9.9 Calibration Word 9

Calibration Word 9 is at memory location 208Ah. The value stored at this memory location represents the offset voltage (in units of mV) of the analog test buffer. This is an 8-bit, two's complement word that can be used to compensate any signal sent through the Analog test multiplexer. See [Section 8.0 "System Bench Testing"](#) for test signal details.

### REGISTER 9-9: CALWD9: CALIBRATION WORD 9 REGISTER

U-0	U-0	U-0	U-0	U-0	U-0
—	—	—	—	—	—
bit 13					bit 8

R/P-1	R/P-1	R/P-1	R/P-1	R/P-1	R/P-1	R/P-1	R/P-1
BUFF7	BUFF6	BUFF5	BUFF4	BUFF3	BUFF2	BUFF1	BUFF0
bit 7							bit 0

#### Legend:

R = Readable bit  
-n = Value at POR

P = Programmable bit  
'1' = Bit is set

U = Unimplemented bit, read as '0'  
'0' = Bit is cleared  
x = Bit is unknown

bit 13-8      **Unimplemented:** Read as '0'

bit 7-0      **BUFF<7:0>:** Analog Buffer Offset calibration bits

11111111 = Mid-scale (-1 mV)

•

•

•

10000000 = Largest negative offset (-128 mV)

01111111 = Largest positive offset (127 mV)

•

•

•

00000000 = Mid-scale (0 mV)

# MCP19114/5

## 9.10 Calibration Word 10

The A2CAL<7:0> bits at memory location 208Bh contain the calibration bits for Current Sense Amplifier (A2) Gain Error. For best regulation accuracy using this amplifier, firmware can read this value and use it to adjust the VREF command. [Section 6.8 “Output Regulation Reference Voltage Configuration”](#) for details.

### REGISTER 9-10: CALWD10: CALIBRATION WORD 10 REGISTER

U-0	U-0	U-0	U-0	U-0	U-0
—	—	—	—	—	—
bit 13					bit 8

R/P-1	R/P-1	R/P-1	R/P-1	R/P-1	R/P-1	R/P-1	R/P-1
A2CAL7	A2CAL6	A2CAL5	A2CAL4	A2CAL3	A2CAL2	A2CAL1	A2CAL0
bit 7							bit 0

#### Legend:

R = Readable bit

P = Programmable bit

U = Unimplemented bit, read as '0'

-n = Value at POR

'1' = Bit is set

'0' = Bit is cleared

x = Bit is unknown

bit 13-8

**Unimplemented:** Read as '0'

bit 7-0

**A2CAL<7:0>:** Current Sense Amplifier (A2) Gain Error Calibration bits

## 9.11 Calibration Word 11

The HFVDD<9:0> bits at memory location 2088h stores the internal ADC reading (in counts) of  $V_{DD}/2$  or half  $V_{DD}$ . This is a factory stored value at 25°C. This value can be used to calibrate ratio metric ADC measurements powered up from  $V_{DD}$ .

### REGISTER 9-11: CALWD11: CALIBRATION WORD 11 REGISTER

U-0	U-0	U-0	U-0	R/P-1	R/P-1
—	—	—	—	HFVDD9	HFVDD8
bit 13				bit 8	

R/P-1	R/P-1	R/P-1	R/P-1	R/P-1	R/P-1	R/P-1	R/P-1
HFVDD7	HFVDD6	HFVDD5	HFVDD4	HFVDD3	HFVDD2	HFVDD1	HFVDD0
bit 7							bit 0

#### Legend:

R = Readable bit

P = Programmable bit

U = Unimplemented bit, read as '0'

-n = Value at POR

'1' = Bit is set

'0' = Bit is cleared

x = Bit is unknown

bit 13-10      **Unimplemented:** Read as '0'

bit 9-0        **HFVDD<9:0>:** Half  $V_{DD}$  Calibration bits

# MCP19114/5

---

NOTES:

## 10.0 MEMORY ORGANIZATION

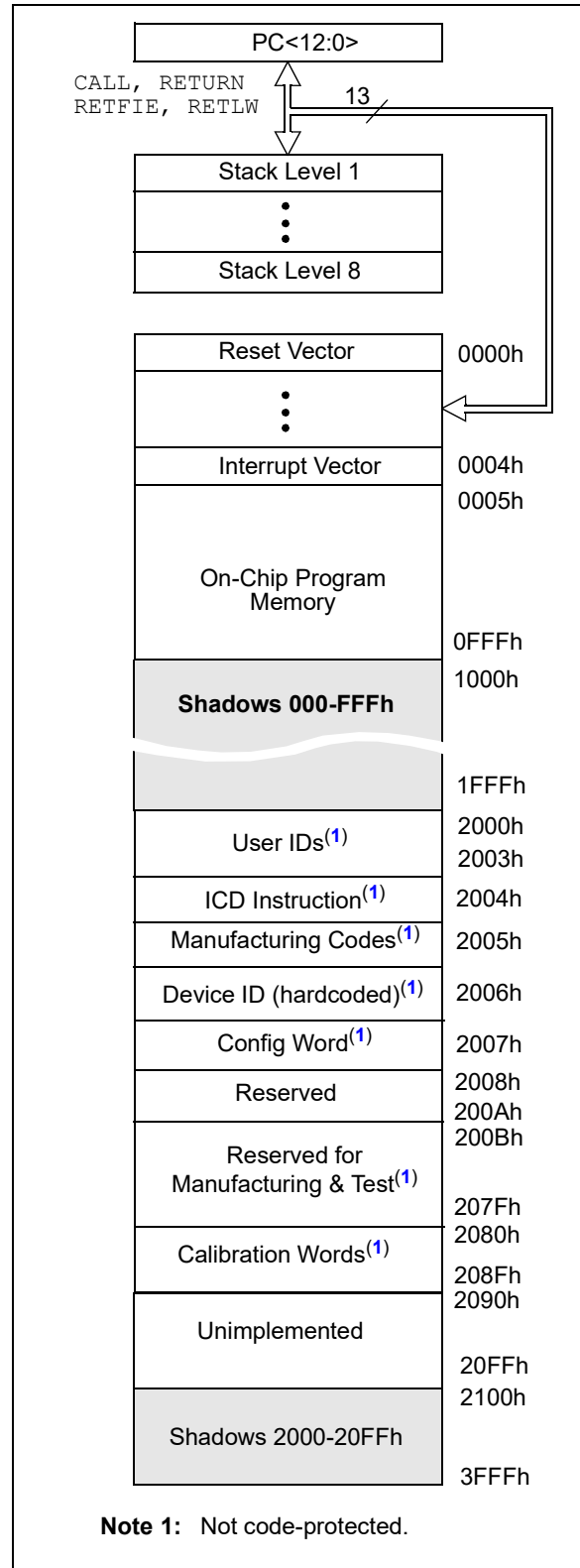
There are two types of memory in the MCP19114/5:

- Program Memory
  - Special Function Registers (SFRs)
  - General-Purpose RAM

### 10.1 Program Memory Organization

The MCP19114/5 have a 13-bit program counter capable of addressing an 8000 x 14 program memory space. Only the first 4000 x 14 (0000h-0FFFh) is physically implemented. Addressing a location above this boundary will cause a wrap-around within the first 4000 x 14 space. The Reset vector is at 0000h and the interrupt vector is at 0004h (refer to [Figure 10-1](#)). The width of the program memory bus (instruction word) is 14 bits. Since all instructions are a single word, the MCP19114/5 have space for 4000 instructions.

**FIGURE 10-1: PROGRAM MEMORY MAP AND STACK FOR MCP19114**



# MCP19114/5

## 10.1.1 READING PROGRAM MEMORY AS DATA

There are two methods of accessing constants in program memory. The first method is to use tables of RETLW instructions. The second method is to set a Files Select Register (FSR) to point to the program memory.

### 10.1.1.1 RETLW Instruction

The RETLW instruction can be used to provide access to the tables of constants. The recommended way to create such tables is shown in [Example 10-1](#).

#### EXAMPLE 10-1: RETLW INSTRUCTION

```
constants
    RETLW DATA0      ;Index0 data
    RETLW DATA1      ;Index1 data
    RETLW DATA2
    RETLW DATA3

my_function
    ;... LOTS OF CODE...
    MOVLW    DATA_INDEX
    call constants
    ;... THE CONSTANT IS IN W
```

### 10.1.1.2 Indirect Read with Files Select Register (FSR)

The program memory can be accessed as data by setting bit 7 of the FSRxH register and reading the matching INDFx register. The MOVLW instruction places the lower 8 bits of the addressed word in the W register. Writes to the program memory cannot be performed through the INDF registers. Instructions that access the program memory through the FSR require one extra instruction cycle to complete. [Example 10-2](#) demonstrates accessing the program memory through an FSR.

The HIGH directive sets bit<7> when a label points to a location in program memory.

#### EXAMPLE 10-2: ACCESSING PROGRAM MEMORY THROUGH FSR

```
constants
    RETLW DATA0      ;Index0 data
    RETLW DATA1      ;Index1 data
    RETLW DATA2
    RETLW DATA3

my_function
    ;... LOTS OF CODE...
    MOVLW    LOW constants
    MOVWF    FSR1L
    MOVLW    HIGH constants
    MOVWF    FSR1H
    MOVLW    0[FSR1]
    ;... THE CONSTANT IS IN W
```

## 10.2 Data Memory Organization

The data memory (refer to [Figure 10-1](#)) is partitioned into four banks, which contain the General Purpose Registers (GPR) and the Special Function Registers (SFR). The Special Function Registers are located in the first 32 locations of each bank. Register locations 20h-7Fh in Bank 0, A0h-EFh in Bank 1 and 120h-16Fh in Bank 2 are General Purpose Registers, implemented as static RAM. All other RAM is unimplemented and returns '0' when read. The RP<1:0> bits in the STATUS register are the bank select bits.

#### EXAMPLE 10-3: BANK SELECT

RP1	RP0	
0	0	-> Bank 0 is selected
0	1	-> Bank 1 is selected
1	0	-> Bank 2 is selected
1	1	-> Bank 3 is selected

To move values from one register to another register, the value must pass through the W register. This means that for all register-to-register moves, two instruction cycles are required.

The entire data memory can be accessed either directly or indirectly. Direct addressing may require the use of the RP<1:0> bits. Indirect addressing requires the use of the FSR. Indirect addressing uses the Indirect Register Pointer (IRP) bit in the STATUS register for access to the Bank0/Bank1 or the Bank2/Bank3 areas of data memory.

### 10.2.1 GENERAL PURPOSE REGISTER FILE

The register file is organized as 64 x 8 in the MCP19114/5. Each register is accessed, either directly or indirectly, through the FSR (refer to [Section 10.5 "Indirect Addressing, INDF and FSR Registers"](#)).

## 10.2.2 CORE REGISTERS

The core registers contain the registers that directly affect the basic operation. The core registers can be addressed from any bank. These registers are listed below in [Table 10-1](#). For detailed information, refer to [Table 10-2](#).

**TABLE 10-1: CORE REGISTERS**

Addresses	BANKx
x00h, x80h, x100h, or x180h	INDF
x02h, x82h, x102h, or x182h	PCL
x03h, x83h, x103h, or x183h	STATUS
x04h, x84h, x104h, or x184h	FSR
x0Ah, x8Ah, x10Ah, or x18Ah	PCLATH
x0Bh, x8Bh, x10Bh, or x18Bh	INTCON

### 10.2.2.1 STATUS Register

The STATUS register contains:

- the arithmetic status of the ALU
- the Reset status
- the bank select bits for data memory (RAM)

The STATUS register can be the destination for any instruction, like any other register. If the STATUS register is the destination for an instruction that affects the Z, DC or C bits, the write to these three bits is disabled. These bits are set or cleared according to the device logic. Furthermore, the  $\overline{TO}$  and  $\overline{PD}$  bits are not writable. Therefore, the result of an instruction with the STATUS register as destination may be different than intended.

For example, `CLRF STATUS` will clear the upper three bits and set the Z bit. This leaves the STATUS register as '000u u1uu' (where u = unchanged).

It is recommended, therefore, that only `BCF`, `BSF`, `SWAPF` and `MOVWF` instructions are used to alter the STATUS register, because these instructions do not affect any Status bits.

**Note 1:** The C and DC bits operate as Borrow and Digit Borrow out bits, respectively, in subtraction.

**REGISTER 10-1: STATUS: STATUS REGISTER**

R/W-0	R/W-0	R/W-0	R-1	R-1	R/W-x	R/W-x	R/W-x
IRP	RP1	RP0	$\overline{TO}$	$\overline{PD}$	Z	DC <sup>(1)</sup>	C <sup>(1)</sup>
bit 7						bit 0	

**Legend:**

R = Readable bit	W = Writable bit	U = Unimplemented bit, read as '0'
-n = Value at POR	x = Bit is unknown	'0' = Bit is cleared
'1' = Bit is set		

bit 7 **IRP:** Register Bank Select bit (used for Indirect addressing)

- 1 = Bank 2 & 3 (100h - 1FFh)
- 0 = Bank 0 & 1 (00h - FFh)

bit 6-5 **RP<1:0>:** Register Bank Select bits (used for Direct addressing)

- 00 =Bank 0 (00h - 7Fh)
- 01 =Bank 1 (80h - FFh)
- 10 =Bank 2 (100h - 17Fh)
- 11 =Bank 3 (180h - 1FFh)

bit 4  **$\overline{TO}$ :** Time-Out bit

- 1 = After power-up, `CLRWDT` instruction or `SLEEP` instruction
- 0 = A WDT time out occurred

**Note 1:** For Borrow, the polarity is reversed. A subtraction is executed by adding the two's complement of the second operand. For rotate (`RRF`, `RLF`) instructions, this bit is loaded with either the high-order or low-order bit in the source register.

# MCP19114/5

---

## REGISTER 10-1: STATUS: STATUS REGISTER (CONTINUED)

bit 3	<b><math>\overline{\text{PD}}</math></b> : Power-Down bit 1 = After power-up or by the <code>CLRWDT</code> instruction 0 = By execution of the <code>SLEEP</code> instruction
bit 2	<b>Z</b> : Zero bit 1 = The result of an arithmetic or logic operation is zero 0 = The result of an arithmetic or logic operation is not zero
bit 1	<b><math>\overline{\text{DC}}</math></b> : Digit Carry/Digit Borrow bit <sup>(1)</sup> ( <code>ADDWF</code> , <code>ADDLW</code> , <code>SUBLW</code> , <code>SUBWF</code> instructions) 1 = A carry-out from the 4 <sup>th</sup> low-order bit of the result occurred 0 = No carry-out from the 4 <sup>th</sup> low-order bit of the result
bit 0	<b><math>\overline{\text{C}}</math></b> : Carry/Borrow bit <sup>(1)</sup> ( <code>ADDWF</code> , <code>ADDLW</code> , <code>SUBLW</code> , <code>SUBWF</code> instructions) <sup>(1)</sup> 1 = A carry-out from the Most Significant bit of the result occurred 0 = No carry-out from the Most Significant bit of the result occurred

**Note 1:** For  $\overline{\text{Borrow}}$ , the polarity is reversed. A subtraction is executed by adding the two's complement of the second operand. For rotate (`RRF`, `RLF`) instructions, this bit is loaded with either the high-order or low-order bit in the source register.

### 10.2.3 SPECIAL FUNCTION REGISTERS

The Special Function Registers are registers used by the CPU and peripheral functions for controlling the desired operation of the device (refer to [Figure 10-2](#)). These registers are static RAM.

The special registers can be classified into two sets: core and peripheral. The Special Function Registers associated with the microcontroller core are described in this section. Those related to the operation of the peripheral features are described in the associated section for that peripheral feature.



**TABLE 10-2: MCP19114/5 SPECIAL REGISTERS SUMMARY BANK 0**

Adr	Name	Bit 7	Bit 6	Bit 5	Bit 4	Bit 3	Bit 2	Bit 1	Bit 0	Value on POR Reset	Value on all other resets <sup>(1)</sup>	
Bank 0												
00h	INDF	Addressing this location uses contents of FSR to address data memory (not a physical register)										xxxx xxxx
01h	TMR0	Timer0 Module's Register										xxxx xxxx
02h	PCL	Program Counter's (PC) Least Significant byte										0000 0000
03h	STATUS	IRP	RP1	RP0	TO	PD	Z	DC	C	0001 1xxx	000q quuu	
04h	FSR	Indirect data memory address pointer										xxxx xxxx
05h	PORTGPA	GPA7	GPA6	GPA5	—	GPA3	GPA2	GPA1	GPA0	xxx- xxxx	uuu- uuuu	
06h	PORTGPB	GPB7	GPB6	GPB5	GPB4	—	—	GPB1	GPB0	xxxx -xx	uuuu -uu	
07h	PIR1	—	ADIF	BCLIF	SSPIF	CC2IF	CC1IF	TMR2IF	TMR1IF	-000 0000	-000 0000	
08h	PIR2	CDSIF	—	—	OTIF	OVIF	DRUVIF	OVLOIF	UVLOIF	0--0 0000	0--0 0000	
09h	PCON	—	—	—	—	—	—	POR	BOR	---- -gq	---- -uu	
0Ah	PCLATH	—	—	—	—	Write buffer for upper 5 bits of program counter				---0 0000	---0 0000	
0Bh	INTCON	GIE	PEIE	TOIE	INTE	IOCE	T0IF	INTF	IOCF <sup>(2)</sup>	0000 000x	0000 000u	
0Ch	TMR1L	Holding register for the Least Significant byte of the 16-bit TMR1										xxxx xxxx
0Dh	TMR1H	Holding register for the Most Significant byte of the 16-bit TMR1										xxxx xxxx
0Eh	T1CON	—	—	T1CKPS1	T1CKPS0	—	—	TMR1CS	TMR1ON	--00 --00	--uu --uu	
0Fh	TMR2	Timer2 Module Register										0000 0000
10h	T2CON	—	—	—	—	—	TMR2ON	T2CKPS1	T2CKPS0	---- -000	---- -000	
11h	PR2	Timer2 Module Period Register										1111 1111
12h	—	Unimplemented										—
13h	PWMPHL	SECONDARY Phase Shift Register										xxxx xxxx
14h	PWMPHH	SECONDARY Phase Shift Register										xxxx xxxx
15h	PWMRL	PWM Register Low Byte										xxxx xxxx
16h	PWMRH	PWM Register High Byte										xxxx xxxx
17h	—	Unimplemented										—
18h	—	Unimplemented										—
19h	VREFCON	VREF7	VREF6	VREF5	VREF4	VREF3	VREF2	VREF1	VREF0	0000 0000	0000 0000	
1Ah	VREF2CON	VREF27	VREF26	VREF25	VREF24	VREF23	VREF22	VREF21	VREF20	0000 0000	0000 0000	
1Bh	OSCTUNE	—	—	—	TUN4	TUN3	TUN2	TUN1	TUN0	--0 0000	--0 0000	
1Ch	ADRESL	Least significant 8 bits of the A/D result										xxxx xxxx
1Dh	ADRESH	Most significant 2 bits of the A/D result										0000 00xx
1Eh	ADCON0	—	CHS4	CHS3	CHS2	CHS1	CHS0	GO/DONE	ADON	-000 0000	-000 0000	
1Fh	ADCON1	—	ADCS2	ADCS1	ADCS0	—	—	—	—	-000 ----	-000 ----	

**Legend:** — = Unimplemented locations read as '0', u = unchanged, x = unknown, q = value depends on condition, shaded = unimplemented  
**Note 1:** Other (non power-up) resets include MCLR Reset and Watchdog Timer Reset during normal operation.  
**2:** MCLR and WDT reset does not affect the previous value data latch. The IOCF bit will be cleared upon reset but will be set again if the mismatch exists.

**TABLE 10-3: MCP19114/5 SPECIAL REGISTERS SUMMARY BANK 1**

Addr	Name	Bit 7	Bit 6	Bit 5	Bit 4	Bit 3	Bit 2	Bit 1	Bit 0	Value on POR Reset	Values on all other resets <sup>(1)</sup>		
Bank 1													
80h	INDF	Addressing this location uses contents of FSR to address data memory (not a physical register)										xxxx xxxx	uuuu uuuu
81h	OPTION_REG	RAPU	INTEDG	TOMS	TOSE	PSA	PS2	PS1	PS0	1111 1111	1111 1111		
82h	PCL	Program Counter's (PC) Least Significant byte										0000 0000	0000 0000
83h	STATUS	IRP	RP1	RP0	T0	PD	Z	DC	C	0001 1xxx	000q quuu		
84h	FSR	Indirect data memory address pointer										xxxx xxxx	uuuu uuuu
85h	TRISGPA	TRISA7	TRISA6	TRISA5	—	TRISA3	TRISA2	TRISA1	TRISA0	1110 1111	1110 1111		
86h	TRISGPB	TRISB7	TRISB6	TRISB5	TRISB4	—	—	TRISB1	TRISB0	1111 0011	1111 0011		
87h	PIE1	—	ADIE	BCLIE	SSPIE	CC2IE	CC1IE	TMR2IE	TMR1IE	-000 0000	-000 0000		
88h	PIE2	CDSIE	—	—	OTIE	OVIE	DRUVIE	OVLOIE	UVLOIE	0--0 0000	0--0 0000		
89h	—	Unimplemented										—	—
8Ah	PCLATH	—	—	—	—	—	Write buffer for upper 5 bits of program counter			---0 0000	---0 0000		
8Bh	INTCON	GIE	PEIE	TOIE	INTE	IOCE	T0IF	INTF	IOCF <sup>(2)</sup>	0000 000x	0000 000u		
8Ch	—	Unimplemented										—	—
8Dh	—	Unimplemented										—	—
8Eh	—	Unimplemented										—	—
8Fh	—	Unimplemented										—	—
90h	VINUVLO	—	—	UVLO5	UVLO4	UVLO3	UVLO2	UVLO1	UVLO0	--xx xxxx	--uu uuuu		
91h	VINOVLO	—	—	OVLO5	OVLO4	OVLO3	OVLO2	OVLO1	OVLO0	--xx xxxx	--uu uuuu		
92h	VINCON	UVLOEN	UVLOOUT	UVLOINTP	UVLOINTN	OVLOEN	OVLOOUT	OVLOINTP	OVLOINTN	0x00 0x00	0u00 0u00		
93h	CC1RL	Capture 1/Compare 1 Register 1 x Low Byte (LSB)										xxxx xxxx	uuuu uuuu
94h	CC1RH	Capture 1/Compare 1 Register 2 x High Byte (MSB)										xxxx xxxx	uuuu uuuu
95h	CC2RL	Capture 2/Compare 2 Register 1 x Low Byte (LSB)										xxxx xxxx	uuuu uuuu
96h	CC2RH	Capture 2/Compare 2 Register 2 x High Byte (MSB)										xxxx xxxx	uuuu uuuu
97h	CCDCON	CC2M<3:0>										xxxx xxxx	uuuu uuuu
98h	DESATCON	CDSMUX	CDSWDE	Reserved	CDSPOL	CDSOE	CDSOUT	CDSINTP	CDSINTN	0000 0x00	0000 0u00		
99h	OVCON	—	—	—	—	OVEN	OVOUT	OVINTP	OVINTN	---- 0x00	---- 0u00		
9Ah	OVREFCON	OOV7	OOV6	OOV5	OOV4	OOV3	OOV2	OOV1	OOV0	xxxx xxxx	uuuu uuuu		
9Bh	DEADCON	PDRVDT3	PDRVDT2	PDRVDT1	PDRVDT0	SDRVDT3	SDRVDT2	SDRVDT1	SDRVDT0	xxxx xxxx	uuuu uuuu		
9Ch	SLPCRCON	—	SLPB1	SLPS5	SLPS4	SLPS3	SLPS2	SLPS1	SLPS0	-xxx xxxx	-uuu uuuu		
9Dh	ICOACON	—	—	—	—	ICOAC3	ICOAC2	ICOAC1	ICOAC0	---- xxxx	---- uuuu		
9Eh	ICLEBCON	—	—	—	—	—	—	ICLEBC1	ICLEBC0	---- -xxx	---- -uuu		
9Fh	—	Unimplemented										—	—

**Legend:** — = Unimplemented locations read as '0', u = unchanged, x = unknown, q = value depends on condition, shaded = unimplemented

**Note 1:** Other (non power-up) resets include MCLR Reset and Watchdog Timer Reset during normal operation.

**Note 2:** MCLR and WDT reset does not affect the previous value data latch. The IOCF bit will be cleared upon reset but will be set again if the mismatch exists.

**TABLE 10-4: MCP19114/5 SPECIAL REGISTERS SUMMARY BANK 2**

Adr	Name	Bit 7	Bit 6	Bit 5	Bit 4	Bit 3	Bit 2	Bit 1	Bit 0	Value on POR Reset	Value on all other resets <sup>(1)</sup>	
Bank 2												
100h	INDF	Addressing this location uses contents of FSR to address data memory (not a physical register)										xxxx xxxx
101h	TMR0	Timer0 Module's Register										xxxx xxxx
102h	PCL	Program Counter's (PC) Least Significant byte										0000 0000
103h	STATUS	IRP	RP1	RP0	TO	PD	Z	DC	C	0001 1xxx	000q quuuu	
104h	FSR	Indirect data memory address pointer										xxxx xxxx
105h	WPUGPA	—	—	WPUA5	—	WPUA3	WPUA2	WPUA1	WPUA0	--1- 1111	--u- uuuuu	
106h	WPUGPB	WPUB7	WPUB6	WPUB5	WPUB4	—	—	WPUB1	—	1111 --1-	uuuu --u-	
107h	PE1	PDRVEN	SDRVEN	PDRVBY	SDRVBY	—	ISPUEN	PWMSTR_PEN	PWMSTR_SEN	0000 -100	0000 -100	
108h	MODECON	MSC1	MSC0	RFB	—	—	—	—	—	001- ----	001- ----	
109h	ABECON	DIGOEN	DSEL2	DSEL1	DSEL0	DRUVSEL	—	EADIS	ANAOEN	0000 0-00	0000 0-00	
10Ah	PCLATH	—	—	—	—	—	Write buffer for upper 5 bits of program counter			--0 0000	--0 0000	
10Bh	INTCON	GIE	PEIE	TOIE	INTE	IOCE	TOIF	INTF	IOCF <sup>(2)</sup>	0000 000x	0000 000u	
10Ch	—	Unimplemented										—
10Dh	—	Unimplemented										—
10Eh	—	Unimplemented										—
10Fh	—	Unimplemented										—
110h	SSPADD	ADD<7:0>										0000 0000
111h	SSPBUF	Synchronous Serial Port Receive Buffer/Transmit Register										xxxx xxxx
112h	SSPCON1	WCOL	SSPOV	SSPEN	CKP	SSPM<3:0>					0000 0000	
113h	SSPCON2	GCEN	ACKSTAT	ACKDT	ACKEN	RCEN	PEN	RSEN	SEN	0000 0000	0000 0000	
114h	SSPCON3	ACKTIM	PCIE	SCIE	BOEN	SDAHT	SBCDE	AHEN	DHEN	0000 0000	0000 0000	
115h	SSPMSK1	MSK<7:0>										1111 1111
116h	SSPSTAT	SMP	CKE	D/A	P	S	R/W	UA	BF	—	—	
117h	SSPADD2	ADD2<7:0>										0000 0000
118h	SSPMSK2	MSK2<7:0>										1111 1111
119h	—	Unimplemented										—
11Ah	—	Unimplemented										—
11Bh	—	Unimplemented										—
11Ch	—	Unimplemented										—
11Dh	—	Unimplemented										—
11Eh	—	Unimplemented										—
11Fh	—	Unimplemented										—

**Legend:** — = Unimplemented locations read as '0', u = unchanged, x = unknown, q = value depends on condition, shaded = unimplemented

**Note 1:** Other (non power-up) resets include MCLR Reset and Watchdog Timer Reset during normal operation.

**Note 2:** MCLR and WDT reset does not affect the previous value data latch. The IOCF bit will be set again if the mismatch exists.

TABLE 10-5: MCP19114/5 SPECIAL REGISTERS SUMMARY BANK 3

Addr	Name	Bit 7	Bit 6	Bit 5	Bit 4	Bit 3	Bit 2	Bit 1	Bit 0	Value on POR Reset	Values on all other resets <sup>(1)</sup>		
Bank 3													
180h	INDF	Addressing this location uses contents of FSR to address data memory (not a physical register)										xxxx xxxx	uuuu uuuu
181h	OPTION_REG	RAPU	INTEDG	T0CS	T0SE	PSA	PS2	PS1	PS0	1111 1111	1111 1111		
182h	PCL	Program Counter's (PC) Least Significant byte										0000 0000	0000 0000
183h	STATUS	IRP	RP1	RP0	$\overline{TO}$	$\overline{PD}$	Z	DC	C	0001 1xxx	000q quuu		
184h	FSR	Indirect data memory address pointer										xxxx xxxx	uuuu uuuu
185h	IOCA	IOCA7	IOCA6	IOCA5	—	IOCA3	IOCA2	IOCA1	IOCA0	000– 0000	0000 0000		
186h	IOCB	IOCB7	IOCB6	IOCB5	IOCB4	—	—	IOCB1	IOCB0	0000 –000	0000 –000		
187h	ANSELA	—	—	—	—	ANSA3	ANSA2	ANSA1	ANSA0	---- 1111	---- 1111		
188h	ANSELB	—	ANSB6	ANSB5	ANSB4	—	—	ANSB1	—	-111 --1-	-111 --1-		
189h	—	Unimplemented										—	—
18Ah	PCLATH	—	—	—	—	—	Write buffer for upper 5 bits of program counter			---0 0000	---0 0000		
18Bh	INTCON	GIE	PEIE	T0IE	INTE	IOCE	TOIF	INTF	IOCF <sup>(2)</sup>	0000 000x	0000 000u		
18Ch	PORTICD <sup>(3)</sup>	In-Circuit Debug Port Register										xxx --xx	uuu --uu
18Dh	TRISICD <sup>(3)</sup>	In-Circuit Debug TRIS Register										1111 0011	1111 0011
18Eh	ICKBUG <sup>(3)</sup>	In-Circuit Debug Register										0000 0000	000u uuuu
18Fh	BIGBUG <sup>(3)</sup>	In-Circuit Debug Breakpoint Register										0000 0000	uuuu uuuu
190h	PMCON1	—	CALSEL	—	—	—	WREN	WR	RD	-0-- -000	-0-- -000		
191h	PMCON2	Program Memory Control Register 2 (not a physical register)										---- ----	---- ----
192h	PMADRL	PMADRL7	PMADRL6	PMADRL5	PMADRL4	PMADRL3	PMADRL2	PMADRL1	PMADRL0	0000 0000	0000 0000		
193h	PMADRH	—	—	—	—	PMADRH3	PMADRH2	PMADRH1	PMADRH0	---- 0000	---- 0000		
194h	PMDATL	PMDATL7	PMDATL6	PMDATL5	PMDATL4	PMDATL3	PMDATL2	PMDATL1	PMDATL0	0000 0000	0000 0000		
195h	PMDATH	—	—	—	—	PMDATH3	PMDATH2	PMDATH1	PMDATH0	--00 0000	--00 0000		
196h	DSTCAL	—	—	—	DSTCAL4	DSTCAL3	DSTCAL2	DSTCAL1	DSTCAL0	---x xxxx	---u uuuu		
197h	RFBTCAL	—	—	—	RFBCAL4	RFBCAL3	RFBCAL2	RFBCAL1	RFBCAL0	---x xxxx	--uu uuuu		
198h	OSCCAL	—	FCALT6	FCALT5	FCALT4	FCALT3	FCALT2	FCALT1	FCALT0	-xxx xxxx	-uuu uuuu		
199h	DCSCAL	—	DCSCAL6	DCSCAL5	DCSCAL4	DCSCAL3	DCSCAL2	DCSCAL1	DCSCAL0	-xxx xxxx	-uuu uuuu		
19Ah	TTACAL	—	—	—	—	TTA3	TTA2	TTA1	TTA0	---- xxxx	---- uuuu		
19Bh	BGRCAL	—	—	—	—	BGR3	BGR2	BGR1	BGR0	---- xxxx	---- uuuu		
19Ch	VROCAL	—	—	VROT5	VROT4	VROT3	VROT2	VROT1	VROT0	---x xxxx	--uu uuuu		
19Dh	—	Unimplemented										—	—
19Eh	—	Unimplemented										—	—
19Fh	—	Reserved										—	—

**Legend:** — = Unimplemented locations read as '0', u = unchanged, x = unknown, q = value depends on condition, shaded = unimplemented  
**Note 1:** Other (non power-up) resets include MCLR Reset and Watchdog Timer Reset during normal operation.  
**2:** MCLR and WDT reset does not affect the previous value data latch. The IOCF bit will be set again if the mismatch exists.  
**3:** Only accessible when DBGEN = 0 and ICKBUG<INBUG> = 1.

# MCP19114/5

## 10.3.1 OPTION\_REG REGISTER

The OPTION\_REG register is a readable and writable register, which contains various control bits to configure:

- Timer0/WDT prescaler
- External GPA2/INT interrupt
- Timer0
- Weak pull-ups on PORTGPA and PORTGPB

**Note:** To achieve a 1:1 prescaler assignment for Timer0, assign the prescaler to the WDT by setting PSA bit to '1' in the OPTION\_REG register. Refer to [Section 22.1.3 “Software Programmable Prescaler”](#).

### REGISTER 10-2: OPTION\_REG: OPTION REGISTER

R/W-1	R/W-1	R/W-1	R/W-1	R/W-1	R/W-1	R/W-1	R/W-1
RAPU	INTEDG	T0CS	T0SE	PSA	PS2	PS1	PS0
bit 7							bit 0

**Legend:**

R = Readable bit	W = Writable bit	U = Unimplemented bit, read as '0'
-n = Value at POR	x = Bit is unknown	'0' = Bit is cleared
'1' = Bit is set		

- bit 7      **RAPU:** Port GPx Pull-Up Enable bit<sup>(1)</sup>  
 1 = Port GPx pull-ups are disabled  
 0 = Port GPx pull-ups are enabled
- bit 6      **INTEDG:** Interrupt Edge Select bit  
 1 = Interrupt on rising edge of INT pin  
 0 = Interrupt on falling edge of INT pin
- bit 5      **T0CS:** TMR0 Clock Source Select bit  
 1 = Transition on T0CKI pin  
 0 = Internal instruction cycle clock
- bit 4      **T0SE:** TMR0 Source Edge Select bit  
 1 = Increment on high-to-low transition on T0CKI pin  
 0 = Increment on low-to-high transition on T0CKI pin
- bit 3      **PSA:** Prescaler Assignment bit  
 1 = Prescaler is assigned to WDT  
 0 = Prescaler is assigned to the Timer0 module
- bit 2-0    **PS<2:0>:** Prescaler Rate Select bits

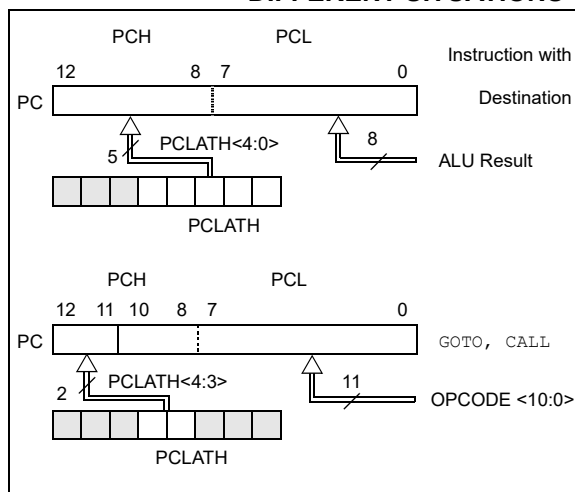
Bit Value	TMR0 Rate	WDT Rate
000	1: 2	1: 1
001	1: 4	1: 2
010	1: 8	1: 4
011	1: 16	1: 8
100	1: 32	1: 16
101	1: 64	1: 32
110	1: 128	1: 64
111	1: 256	1: 128

**Note 1:** Individual WPUx bit must also be enabled.

## 10.4 PCL and PCLATH

The Program Counter (PC) is 13 bits wide. The low byte comes from the PCL register, which is a readable and writable register. The high byte (PC<12:8>) is not directly readable or writable and comes from PCLATH. On any reset, the PC is cleared. Figure 10-3 shows the two situations for loading the PC: the upper example shows how the PC is loaded on a write to PCL (PCLATH <4:0> → PCH), while the lower example in Figure 10-3 shows how the PC is loaded during a CALL or GOTO instruction (PCLATH<4:3> → PCH).

**FIGURE 10-3: PROGRAM COUNTER (PC) LOADING IN DIFFERENT SITUATIONS**



### 10.4.1 MODIFYING PCL REGISTER

Executing any instruction with the PCL register as the destination simultaneously causes the Program Counter PC<12:8> bits (PCH) to be replaced by the contents of the PCLATH register. This allows the entire contents of the program counter to be changed by writing the desired upper 5 bits to the PCLATH register. When the lower 8 bits are written to the PCL register, all 13 bits of the program counter will change to the values contained in the PCLATH register and those being written to the PCL register.

### 10.4.2 COMPUTED GOTO

A computed GOTO is accomplished by adding an offset to the program counter (ADDWF PCL). Care should be exercised when jumping into a look-up table or program branch table (computed GOTO) by modifying the PCL register. Assuming that PCLATH is set to the table start address, if the table length is greater than 255 instructions or if the lower 8 bits of the memory address roll over from 0xFFh to 0X00h in the middle of the table, then PCLATH must be incremented for each address rollover that occurs between the table beginning and the table location within the table.

For more information, refer to Application Note AN556, "Implementing a Table Read" (DS00000556).

### 10.4.3 COMPUTED FUNCTION CALLS

A computed function CALL allows programs to maintain tables of functions and provide another way to execute state machines or look-up tables. When performing a table read using a computed function CALL, care should be exercised if the table location crosses a PCL memory boundary (each 256-byte block).

If using the CALL instruction, the PCH<2:0> and PCL registers are loaded with the operand of the CALL instruction. PCH<4:3> is loaded with PCLATH<4:3>.

### 10.4.4 STACK

The MCP19114/5 have an 8-level x 13-bit wide hardware stack (refer to Figure 10-1). The stack space is not part of either program or data space and the Stack Pointer is not readable or writable. The PC is PUSHed onto the stack when CALL instruction is executed or an interrupt causes a branch. The stack is POPed in the event of a RETURN, RETLW or a RETFIE instruction execution. PCLATH is not affected by a PUSH or POP operation.

The stack operates as a circular buffer. This means that after the stack has been PUSHed eight times, the 9<sup>th</sup> push overwrites the value that was stored from the first push. The tenth push overwrites the second push (and so on).

- Note 1:** There are no Status bits to indicate Stack Overflow or Stack Underflow conditions.
- 2:** There are no instructions/mnemonics called PUSH or POP. These are actions that occur from the execution of the CALL, RETURN, RETLW and RETFIE instructions or the vectoring to an interrupt address.

## 10.5 Indirect Addressing, INDF and FSR Registers

The INDF register is not a physical register. Addressing the INDF register will cause indirect addressing.

Indirect addressing is possible by using the INDF register. Any instruction using the INDF register actually accesses data pointed to by the File Select Register (FSR). Reading INDF itself indirectly will produce 00h. Writing to the INDF register directly results in a no operation (although Status bits may be affected). An effective 9-bit address is obtained by concatenating the 8-bit FSR and the IRP bit in the STATUS register, as shown in Figure 10-4.

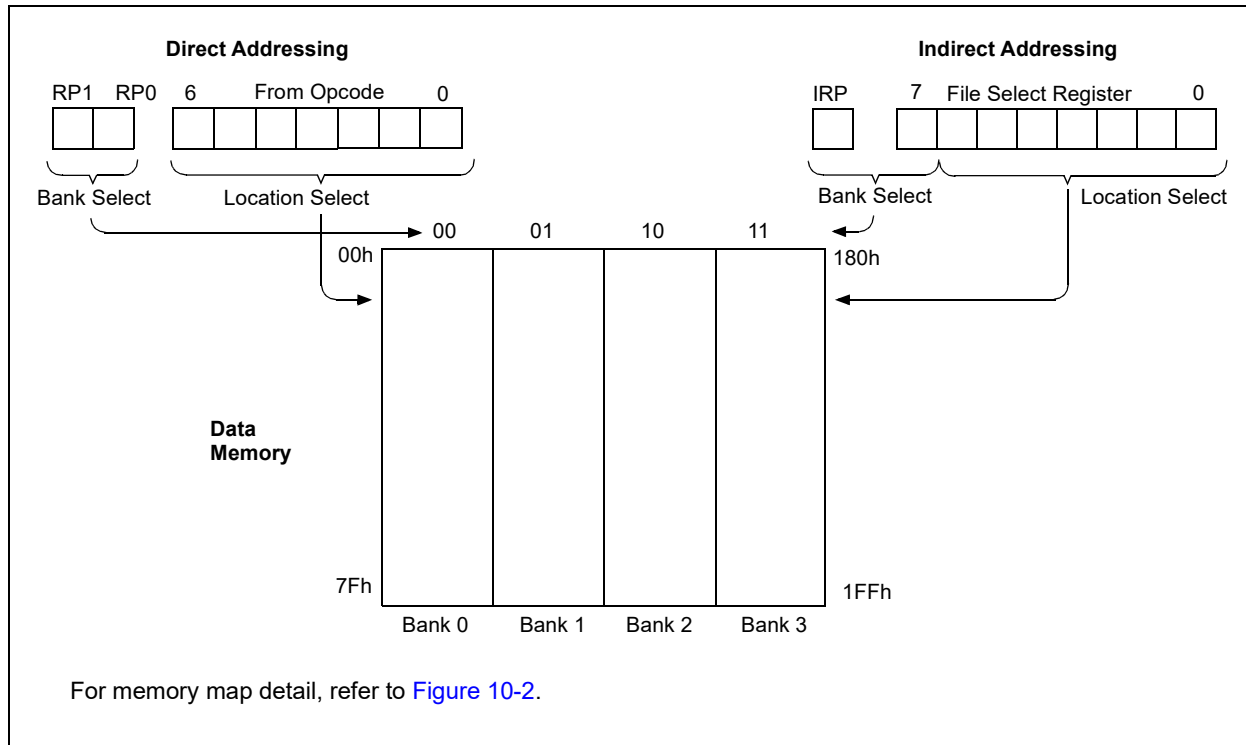
A simple program to clear RAM location 40h-7Fh using indirect addressing is shown in Example 10-4.

# MCP19114/5

## EXAMPLE 10-4: INDIRECT ADDRESSING

```
MOVLW 0x40 ;initialize pointer
MOVWF FSR ;to RAM
NEXT CLR F INDF ;clear INDF register
      INCF FSR ;inc pointer
      BTFSS FSR,7 ;all done?
      GOTO NEXT ;no clear next
CONTINUE ;yes continue
```

FIGURE 10-4: DIRECT/INDIRECT ADDRESSING



## 11.0 DEVICE CONFIGURATION

Device Configuration consists of Configuration Word, Code Protection and Device ID.

### 11.1 Configuration Word

There are several Configuration Word bits that allow different timers to be enabled and memory protection options. These are implemented as Configuration Word at 2007h.

**Note:** The  $\overline{\text{DBGEN}}$  bit in Configuration Word is managed automatically by device development tools, including debuggers and programmers. For normal device operation, this bit should be maintained as a '1'. Debug is available only on the MCP19115.

#### REGISTER 11-1: CONFIG: CONFIGURATION WORD

R/P-1	U-1	R/P-1	R/P-1	U-1	R/P-1
$\overline{\text{DBGEN}}$	—	WRT1	WRT0	—	BOREN
bit 13					bit 8

U-1	R/P-1	R/P-1	R/P-1	R/P-1	U-1	U-1	U-1
—	$\overline{\text{CP}}$	MCLRE	$\overline{\text{PWRT}}\overline{\text{E}}$	WDTE	—	—	—
bit 7							bit 0

#### Legend:

R = Readable bit	W = Writable bit	U = Unimplemented bit, read as '0'
-n = Value at POR	'1' = Bit is set	'0' = Bit is cleared
		x = Bit is unknown

- bit 13  **$\overline{\text{DBGEN}}$** : ICD Debug bit  
1 = ICD debug mode disabled  
0 = ICD debug mode enabled
- bit 12 **Unimplemented**: Read as '0'
- bit 11-10 **WRT<1:0>**: Flash Program Memory Self Write Enable bit  
11 = Write protection off  
10 = 000h to 3FFh write protected, 400h to FFFh may be modified by PMCON1 control  
01 = 000h to 7FFh write protected, 800h to FFFh may be modified by PMCON1 control  
00 = 000h to FFFh write protected, entire program memory is write protected.
- bit 9 **Unimplemented**: Read as '0'
- bit 8 **BOREN**: Brown-Out Reset Enable bit  
1 = BOR disabled during Sleep and Enabled during operation  
0 = BOR disabled
- bit 7 **Unimplemented**: Read as '0'
- bit 6  **$\overline{\text{CP}}$** : Code Protection  
1 = Program memory is not code protected  
0 = Program memory is external read and write protected
- bit 5 **MCLRE**: MCLR Pin Function Select  
1 = MCLR pin is MCLR function and weak internal pull-up is enabled  
0 = MCLR pin is alternate function, MCLR function is internally disabled
- bit 4 **PWRT<sup>E</sup>**: Power-Up Timer Enable bit<sup>(1)</sup>  
1 = PWRT disabled  
0 = PWRT enabled
- bit 3 **WDTE**: Watchdog Timer Enable bit  
1 = WDT enabled  
0 = WDT disabled
- bit 2-0 **Unimplemented**: Read as '0'

**Note 1:** Bit is reserved and not controlled by user.

## 11.2 Code Protection

Code protection allows the device to be protected from unauthorized access. Internal access to the program memory is unaffected by any code protection setting.

### 11.2.1 PROGRAM MEMORY PROTECTION

The entire program memory space is protected from external reads and writes by the  $\overline{CP}$  bit in the Configuration Word. When  $\overline{CP} = 0$ , external reads and writes of program memory are inhibited and a read will return all '0's. The CPU can continue to read program memory, regardless of the protection bit settings. Writing the program memory is dependent upon the write protection setting. Refer to [Section 11.3 “Write Protection”](#) for more information.

## 11.3 Write Protection

Write protection allows the device to be protected from unintended self-writes. Applications, such as boot loader software, can be protected while allowing other regions of the program memory to be modified.

The WRT<1:0> bits in the Configuration Word define the size of the program memory block that is protected.

## 11.4 ID Locations

Four memory locations (2000h-2003h) are designated as ID locations where the user can store checksum or other code identification numbers. These locations are not accessible during normal execution but are readable and writable during Program/Verify mode. Only the Least Significant 7 bits of the ID locations are reported when using MPLAB Integrated Development Environment (IDE).

## 12.0 OSCILLATOR MODES

The MCP19114/5 have one oscillator configuration which is an 8 MHz internal oscillator.

### 12.1 Internal Oscillator (INTOSC)

The Internal Oscillator module provides a system clock source of 8 MHz. The frequency of the internal oscillator can be trimmed with a calibration value in the OSCTUNE register.

## 12.2 Oscillator Calibration

The 8 MHz internal oscillator is factory-calibrated. The factory calibration values reside in the read-only CALWD6 register. These values must be read from the CALWD6 register and stored in the OSCCAL register. Refer to [Section 17.0 “Flash Program Memory Control”](#) for the procedure on reading the program memory.

**Note:** The FCAL<6:0> bits in the CALWD6 register must be written into the OSCCAL register to calibrate the internal oscillator.

## 12.3 Frequency Tuning in User Mode

In addition to the factory calibration, the base frequency can be tuned in the user's application. This frequency tuning capability allows the user to deviate from the factory-calibrated frequency. The user can tune the frequency by writing to the OSCTUNE register (refer to [Register 12-1](#)).

**REGISTER 12-1: OSCTUNE: OSCILLATOR TUNING REGISTER**

U-0	U-0	U-0	R/W-0	R/W-0	R/W-0	R/W-0	R/W-0
—	—	—	TUN4	TUN3	TUN2	TUN1	TUN0
bit 7							bit 0

**Legend:**

R = Readable bit                      W = Writable bit                      U = Unimplemented bit, read as '0'  
 -n = Value at POR                      '1' = Bit is set                      '0' = Bit is cleared                      x = Bit is unknown

bit 7-5                      **Unimplemented:** Read as '0'

bit 4-0                      **TUN<4:0>:** Frequency Tuning bits

01111 = Maximum frequency

01110 =

•

•

•

00001 =

00000 = Center frequency. Oscillator Module is running at the calibrated frequency.

11111 =

•

•

•

10000 = Minimum frequency

# MCP19114/5

## 12.3.1 OSCILLATOR DELAY UPON POWER-UP, WAKE-UP AND BASE FREQUENCY CHANGE

In applications where the OSCTUNE register is used to shift the frequency of the internal oscillator, the application should not expect the frequency of the internal oscillator to stabilize immediately. In this case, the frequency may shift gradually toward the new value. The time for this frequency shift is less than eight cycles of the base frequency.

On power-up, the device is held in reset by the power-up time if the power-up timer is enabled.

Following a wake-up from Sleep mode or POR, an internal delay of ~10  $\mu$ s is invoked to allow the memory bias to stabilize before program execution can begin.

**TABLE 12-1: SUMMARY OF REGISTERS ASSOCIATED WITH CLOCK SOURCES**

Name	Bit 7	Bit 6	Bit 5	Bit 4	Bit 3	Bit 2	Bit 1	Bit 0	Register on Page
OSCTUNE	—	—	—	TUN4	TUN3	TUN2	TUN1	TUN0	83

**Legend:** — = unimplemented locations, read as '0'. Shaded cells are not used by clock sources.

**TABLE 12-2: SUMMARY OF CONFIGURATION WORD ASSOCIATED WITH CLOCK SOURCES**

Name	Bits	Bit -/7	Bit -/6	Bit 13/5	Bit 12/4	Bit 11/3	Bit 10/2	Bit 9/1	Bit 8/0	Register on Page
CONFIG6	13:8	—	—	—	—	—	—	—	—	62
	7:0	—	FCAL6	FCAL5	FCAL4	FCAL3	FCAL2	FCAL1	FCAL0	

**Legend:** — = unimplemented locations, read as '0'. Shaded cells are not used by clock sources.

## 13.0 RESETS

The reset logic is used to place the MCP19114/5 into a known state. The source of the reset can be determined by using the device status bits.

There are multiple ways to reset these devices:

- Power-On Reset (POR)
- Overtemperature Reset (OT)
- MCLR Reset
- WDT Reset
- Brown-Out Reset (BOR)

To allow  $V_{DD}$  to stabilize, an optional power-up timer can be enabled to extend the Reset time after a POR event.

Some registers are not affected in any Reset condition; their status is unknown on POR and unchanged in any other Reset. Most other registers are reset to a “Reset state” on:

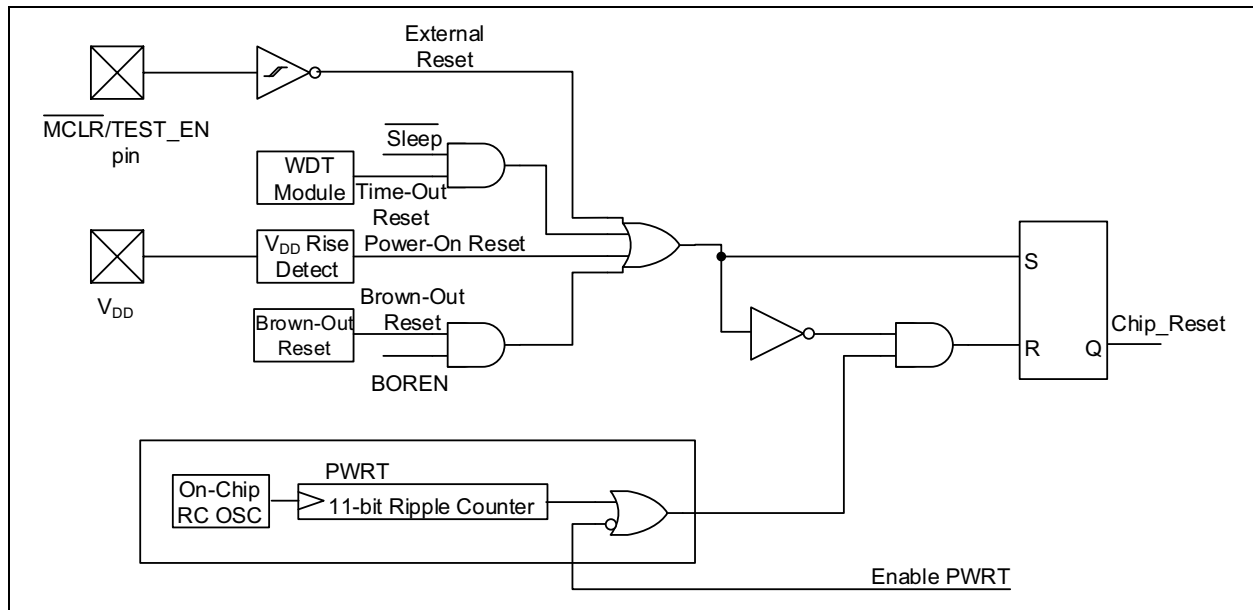
- Power-On Reset
- MCLR Reset
- MCLR Reset during Sleep
- WDT Reset
- Brown-Out Reset

WDT (Watchdog Timer) wake-up does not cause register resets in the same manner as a WDT Reset, since wake-up is viewed as the resumption of normal operation.  $\overline{TO}$  and  $\overline{PD}$  bits are set or cleared differently in different Reset situations, as indicated in Table 13-1. The software can use these bits to determine the nature of the Reset. Refer to Table 13-2 for a full description of Reset states of all registers.

A simplified block diagram of the On-Chip Reset Circuit is shown in Figure 13-1.

The MCLR Reset path has a noise filter to detect and ignore small pulses. Refer to Section 5.0 “Digital Electrical Characteristics” for pulse-width specifications.

**FIGURE 13-1: SIMPLIFIED BLOCK DIAGRAM OF ON-CHIP RESET CIRCUIT**



**TABLE 13-1: TIME-OUT IN VARIOUS SITUATIONS**

Power-Up		Wake-Up from Sleep
$\overline{PWRTE} = 0$	$\overline{PWRTE} = 1$	
$T_{PWRT}$	—	—

# MCP19114/5

**TABLE 13-2: STATUS/PCON BITS AND THEIR SIGNIFICANCE**

$\overline{\text{POR}}$	$\overline{\text{BOR}}$	$\overline{\text{TO}}$	$\overline{\text{PD}}$	Condition
0	x	1	1	Power-On Reset
u	0	1	1	Brown-Out Reset
u	u	0	u	WDT Reset
u	u	0	0	WDT Wake-Up
u	u	u	u	$\overline{\text{MCLR}}$ Reset during normal operation
u	u	1	0	$\overline{\text{MCLR}}$ Reset during Sleep

**Legend:** u = unchanged, x = unknown

## 13.1 Power-On Reset (POR)

The on-chip POR circuit holds the chip in Reset until  $V_{DD}$  has reached a high enough level for proper operation. To take advantage of the POR, simply connect the  $\overline{\text{MCLR}}$  pin through a resistor to  $V_{DD}$ . This will eliminate external RC components usually needed to create Power-On Reset.

When the device starts normal operation (exits the Reset condition), device operating parameters (i.e., voltage, frequency, temperature, etc.) must be met to ensure proper operation. If these conditions are not met, the device must be held in Reset until the operating conditions are met.

## 13.2 $\overline{\text{MCLR}}$

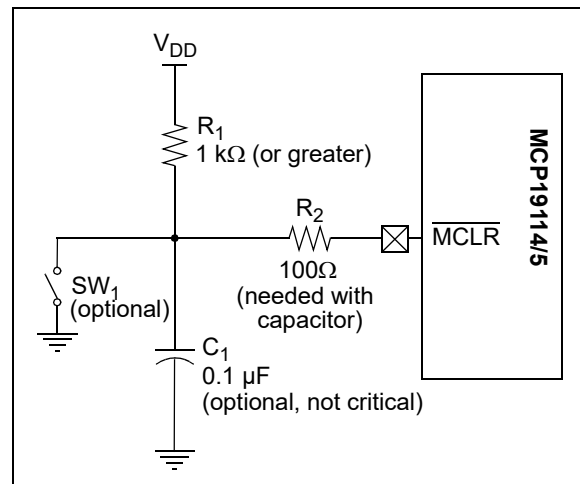
MCP19114/5 have a noise filter in the  $\overline{\text{MCLR}}$  Reset path. The filter will detect and ignore small pulses.

It should be noted that a WDT Reset does not drive  $\overline{\text{MCLR}}$  pin low.

Voltages applied to the  $\overline{\text{MCLR}}$  pin that exceed its specification can result in both  $\overline{\text{MCLR}}$  Resets and excessive current beyond the device specification during the ESD event. For this reason, Microchip recommends that the  $\overline{\text{MCLR}}$  pin no longer be tied directly to  $V_{DD}$ . The use of a Resistor-Capacitor (RC) network, as shown in Figure 13-2, is suggested.

An internal  $\overline{\text{MCLR}}$  option is enabled by clearing the MCLRE bit in the CONFIG register. When MCLRE = 0, the Reset signal to the chip is generated internally. When MCLRE = 1, the  $\overline{\text{MCLR}}$  pin becomes an external Reset input. In this mode, the  $\overline{\text{MCLR}}$  pin has a weak pull-up to  $V_{DD}$ .

**FIGURE 13-2: RECOMMENDED  $\overline{\text{MCLR}}$  CIRCUIT**

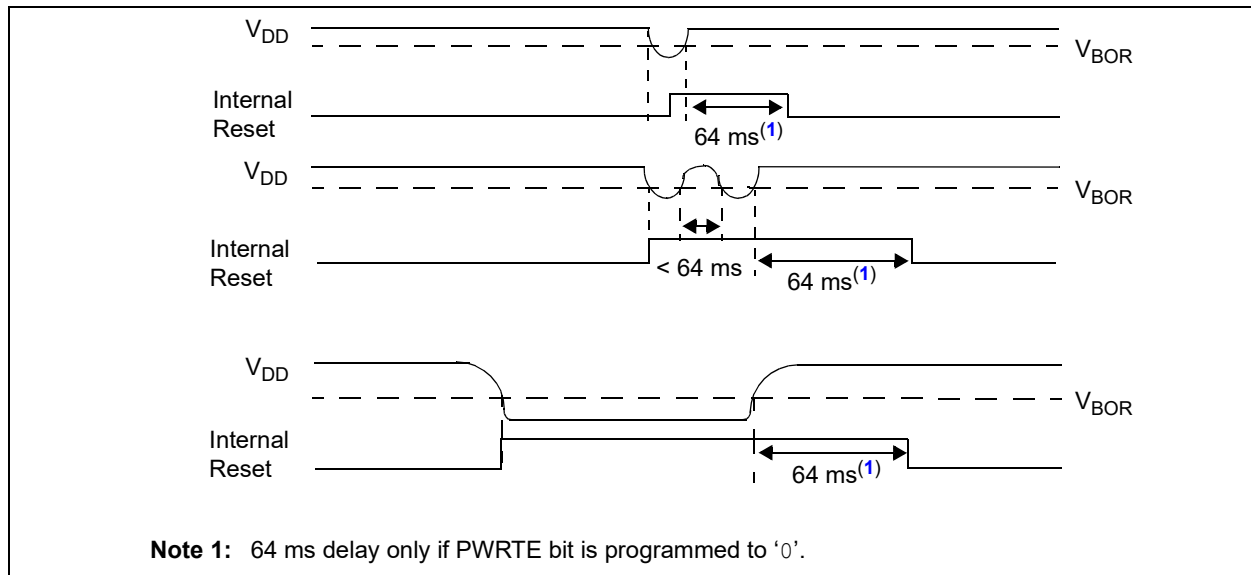


### 13.3 Brown-Out Reset (BOR)

The BOREN bit <8> in the CONFIG register enables or disables the BOR mode, as defined in the CONFIG register. A brown-out occurs when  $V_{DD}$  falls below  $V_{BOR}$  for greater than 100  $\mu$ s minimum. On any Reset (Power-On, Brown-Out, Watchdog Timer, etc.), the chip will remain in Reset until  $V_{DD}$  rises above  $V_{BOR}$  (refer to Figure 13-3). If enabled, the Power-Up Timer will be invoked by the Reset and will keep the chip in Reset an additional 64 ms. During power-up, it is recommended that the BOR configuration bit is enabled holding the MCU in Reset (OSC turned off and no code execution) until  $V_{DD}$  exceeds the  $V_{BOR}$  threshold. Users have the option of adding an additional 64 ms delay by clearing the PWRTSE bit. At this time, the  $V_{DD}$  voltage level is high enough to operate the MCU functions only; all other device functionality is not operational. This is independent of the value of  $V_{IN}$ , which is typically  $V_{DD} + V_{DROPOUT}$ . During power-down with BOR enabled, the MCU operation will be held in Rset when  $V_{DD}$  falls below the  $V_{BOR}$  threshold. With BOR disabled or while operating in Sleep mode, the POR will hold the part in Reset when  $V_{DD}$  falls below the  $V_{POR}$  threshold. Since this device runs at  $F_{OSC} = 8$  MHz and the processor is fully operational at  $V_{DD} = 2$ V, it is recommended that BOR always be enabled during power-up and power-down.

**Note:** The Power-Up Timer is enabled by the PWRTSE bit in the CONFIG register. If  $V_{DD}$  drops below  $V_{BOR}$  while the Power-Up Timer is running, the chip will go back into a Brown-Out Reset and the Power-Up Timer will be re-initialized. Once the  $V_{DD}$  rises above  $V_{BOR}$ , the Power-Up Timer will execute a 64 ms reset.

**FIGURE 13-3: BROWN-OUT SITUATIONS**



## 13.4 Power-Up Timer (PWRT)

The Power-Up Timer provides a fixed 64 ms (nominal) time-out on power-up only, from POR Reset. The Power-Up Timer operates from an internal RC oscillator. The chip is kept in Reset as long as PWRT is active. The PWRT delay allows the  $V_{DD}$  to rise to an acceptable level. A bit ( $\overline{PWRT}$ ) in the CONFIG register can disable (if set) or enable (if cleared or programmed) the Power-Up Timer.

The Power-Up Timer delay will vary from chip to chip due to:

- $V_{DD}$  variation
- Temperature variation
- Process variation

**Note:** Voltage spikes below  $V_{SS}$  at the  $\overline{MCLR}$  pin, inducing currents greater than 80 mA, may cause latch-up. Thus, a series resistor of 50-100 $\Omega$  should be used when applying a "low" level to the  $\overline{MCLR}$  pin, rather than pulling this pin directly to  $V_{SS}$ .

The Power-Up Timer optionally delays device execution after a POR event. This timer is typically used to allow  $V_{DD}$  to stabilize before allowing the device to start running.

The Power-Up Timer is controlled by the  $\overline{PWRT}$  bit in the CONFIG register.

## 13.5 Watchdog Timer (WDT) Reset

The Watchdog Timer generates a Reset if the firmware does not issue a  $\overline{CLRWDT}$  instruction within the time-out period. The  $\overline{TO}$  and  $\overline{PD}$  bits in the STATUS register are changed to indicate the WDT Reset. Refer to [Section 16.0 "Watchdog Timer \(WDT\)"](#) for more information.

## 13.6 Start-Up Sequence

Upon the release of a POR, the following must occur before the device begins executing:

- Power-Up Timer runs to completion (if enabled)
- Oscillator start-up timer runs to completion
- $\overline{MCLR}$  must be released (if enabled)

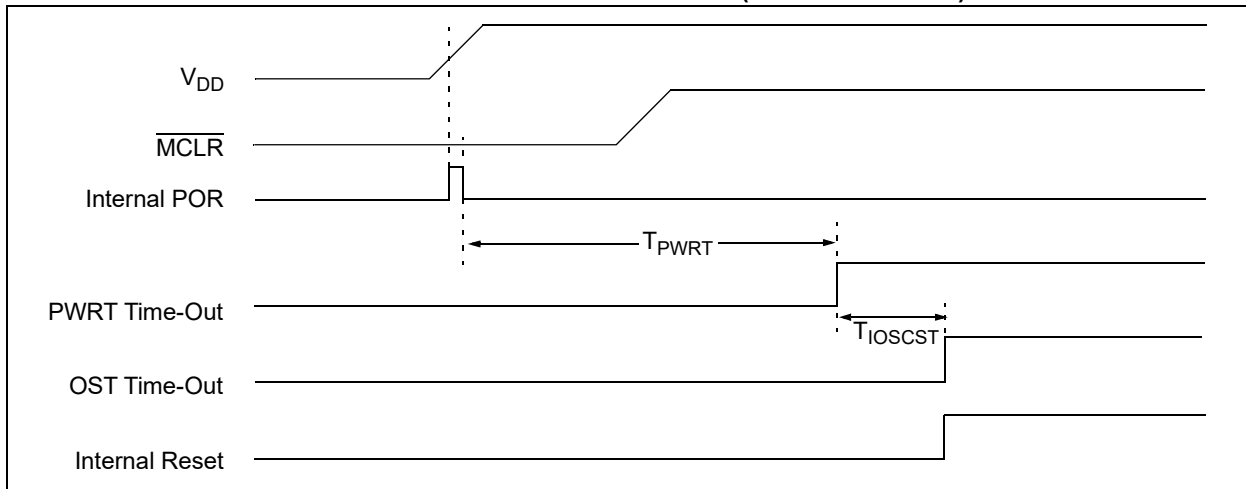
The total time out will vary based on  $\overline{PWRT}$  bit status. For example, with  $\overline{PWRT}$  bit erased ( $\overline{PWRT}$  disabled), there will be no time out at all. [Figures 13-4, 13-5](#) and [13-6](#) depict time-out sequences.

Since the time outs occur from the POR pulse, if  $\overline{MCLR}$  is kept low long enough, the time-outs will expire. Then, bringing  $\overline{MCLR}$  high will begin execution immediately (refer to [Figure 13-5](#)). This is useful for testing purposes or to synchronize more than one MCP19114/5 device operating in parallel.

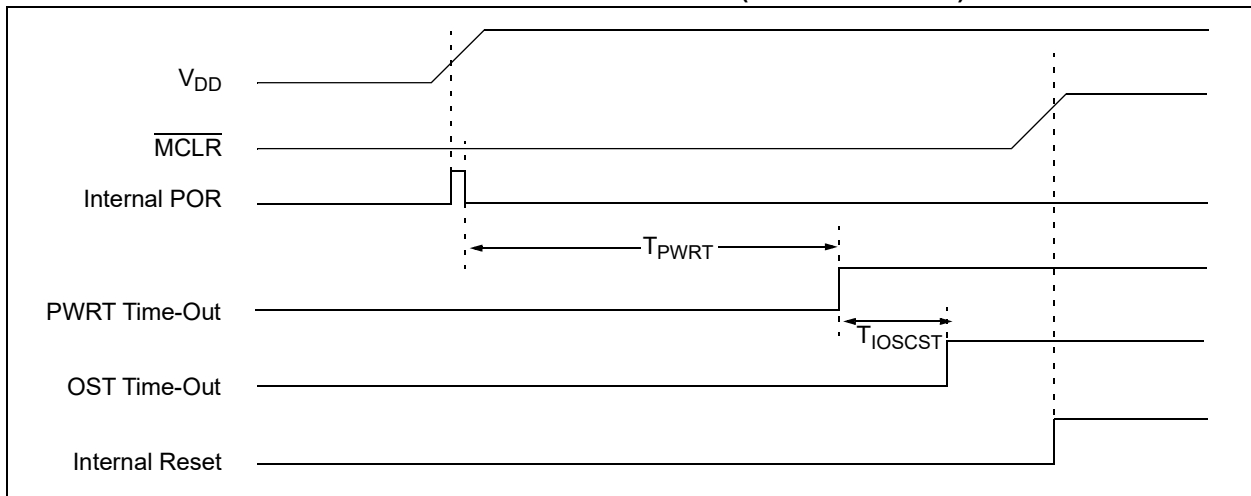
### 13.6.1 POWER CONTROL (PCON) REGISTER

The Power Control (PCON) register (address 8Eh) has two Status bits to indicate what type of Reset occurred last.

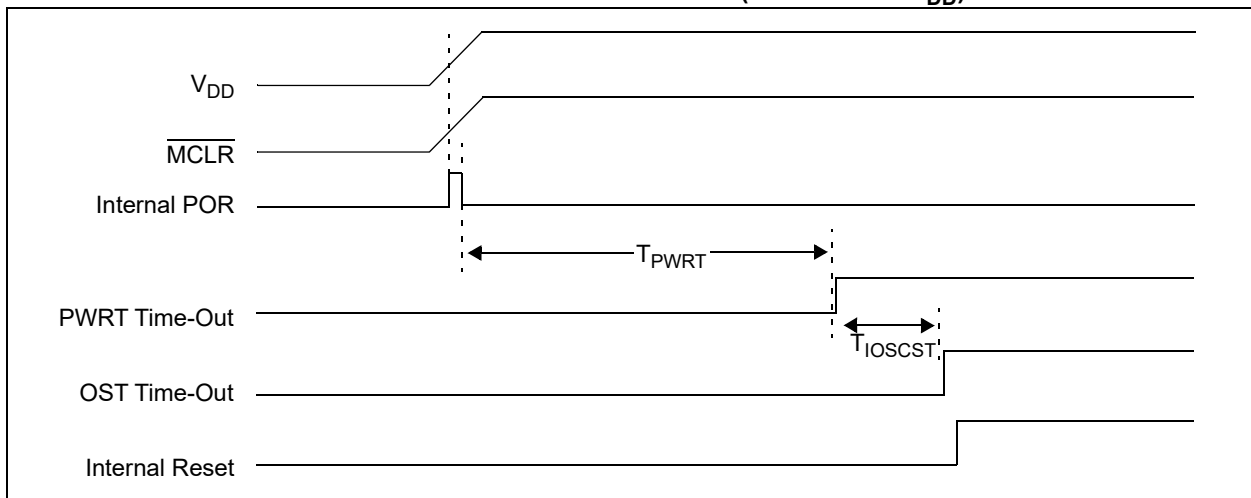
**FIGURE 13-4: TIME-OUT SEQUENCE ON POWER-UP (DELAYED  $\overline{MCLR}$ ): CASE 1**



**FIGURE 13-5: TIME-OUT SEQUENCE ON POWER-UP (DELAYED MCLR): CASE 2**



**FIGURE 13-6: TIME-OUT SEQUENCE ON POWER-UP (MCLR WITH VDD)**



## 13.7 Determining the Cause of a Reset

Upon any Reset, multiple bits in the STATUS and PCON register are updated to indicate the cause of the Reset. Tables 13-3 and 13-4 show the Reset conditions of these registers.

**TABLE 13-3: RESET STATUS BITS AND THEIR SIGNIFICANCE**

POR	BOR	TO	PD	Condition
0	x	1	1	Power-On Reset
u	0	1	1	Brown-Out Reset
u	u	0	u	WDT Reset
u	u	0	0	WDT Wake-Up from Sleep
u	u	1	0	Interrupt Wake-Up from Sleep
u	u	u	u	MCLR Reset during normal operation
u	u	1	0	MCLR Reset during Sleep
0	u	0	x	Not allowed. TO is set on POR.
0	u	x	0	Not allowed. PD is set on POR.

# MCP19114/5

TABLE 13-4: RESET CONDITION FOR SPECIAL REGISTERS (Note 2)

Condition	Program Counter	STATUS Register	PCON Register
Power-On Reset	0000h	0001 1xxx	---- --0u
Brown-Out Reset	0000	0001 1xxx	---- --u0
MCLR Reset during normal operation	0000h	000u uuuu	---- --uu
MCLR Reset during Sleep	0000h	0001 0uuu	---- --uu
WDT Reset	0000h	0000 uuuu	---- --uu
WDT Wake-Up from Sleep	PC + 1	uuu0 0uuu	---- --uu
Interrupt Wake-Up from Sleep	PC + 1 <sup>(1)</sup>	uuu1 0uuu	---- --uu

**Legend:** u = unchanged, x = unknown, - = unimplemented bit, reads as '0'.

**Note 1:** When the wake-up is due to an interrupt and Global Enable bit (GIE) is set, the return address is pushed on the stack and PC is loaded with the interrupt vector (0004h) after execution of PC + 1.

**2:** If a Status bit is not implemented, that bit will be read as '0'.

## 13.8 Power Control (PCON) Register

The Power Control (PCON) register contains flag bits to differentiate between a:

- Power-On Reset ( $\overline{\text{POR}}$ )
- Brown-Out Reset ( $\overline{\text{BOR}}$ )

The PCON register bits are shown in [Register 13-1](#).

**REGISTER 13-1: PCON: POWER CONTROL REGISTER**

U-0	U-0	U-0	U-0	U-0	R/W-0	R/W-0	R/W-0
—	—	—	—	—	—	$\overline{\text{POR}}$	$\overline{\text{BOR}}$
bit 7						bit 0	

**Legend:**

R = Readable bit	W = Writable bit	U = Unimplemented bit, read as '0'
-n = Value at POR	'1' = Bit is set	'0' = Bit is cleared
		x = Bit is unknown

- bit 7-2      **Unimplemented:** Read as '0'
- bit 1      **POR:** Power-On Reset Status bit
  - 1 = No Power-On Reset occurred
  - 0 = A Power-On Reset occurred (must be set in software after a Power-On Reset occurs)
- bit 0      **BOR:** Brown-Out Reset
  - 1 = No Brown-Out Reset occurred
  - 0 = A Brown-Out Reset occurred (must be set in software after a Brown-Out Reset occurs)

**TABLE 13-5: SUMMARY OF REGISTERS ASSOCIATED WITH RESETS**

Name	Bit 7	Bit 6	Bit 5	Bit 4	Bit 3	Bit 2	Bit 1	Bit 0	Register on Page
PCON	—	—	—	—	—	—	$\overline{\text{POR}}$	$\overline{\text{BOR}}$	<a href="#">91</a>
STATUS	IPR	RP1	RP0	$\overline{\text{TO}}$	$\overline{\text{PD}}$	Z	DC	C	<a href="#">71</a>

**Legend:** — = unimplemented bit, read as '0'. Shaded cells are not used by Resets.

**Note 1:** Other (non power-up) Resets include  $\overline{\text{MCLR}}$  Reset and Watchdog Timer Reset during normal operation.

# MCP19114/5

---

NOTES:

## 14.0 INTERRUPTS

The MCP19114/5 have multiple sources of interrupt:

- External Interrupt (INT pin)
- Interrupt-On-Change (IOC) Interrupts
- Timer0 Overflow Interrupt
- Timer1 Overflow Interrupt
- Timer2 Match Interrupt
- ADC Interrupt
- System Input Undervoltage Error
- System Input Overvoltage Error
- SSP
- BCL
- Desaturation Detection
- Gate Drive UVLO
- Capture/Compare 1
- Capture/Compare 2
- Overtemperature

The Interrupt Control (INTCON) register and the Peripheral Interrupt Request (PIRx) registers record individual interrupt requests in flag bits. The INTCON register also has individual and global interrupt enable bits.

The Global Interrupt Enable bit, GIE, in the INTCON register enables (if set) all unmasked interrupts or disables (if cleared) all interrupts. Individual interrupts can be disabled through their corresponding enable bits in the INTCON register and PIEx registers. GIE is cleared on Reset.

When an interrupt is serviced, the following actions occur automatically:

- The GIE is cleared to disable any further interrupt
- The return address is pushed onto the stack
- The PC is loaded with 0004h

The firmware within the Interrupt Service Routine (ISR) should determine the source of the interrupt by polling the interrupt flag bits. The interrupt flag bits must be cleared before exiting the ISR to avoid repeated interrupts. Because the GIE bit is cleared, any interrupt that occurs while executing the ISR will be recorded through its interrupt flag but will not cause the processor to redirect to the interrupt vector.

**Note 1:** Individual interrupt flag bits are set, regardless of the status of their corresponding mask bit or the GIE bit.

**2:** When an instruction that clears the GIE bit is executed, any interrupts that were pending for execution in the next cycle are ignored. The interrupts which were ignored are still pending to be serviced when the GIE bit is set again.

The RETFIE instruction exits the ISR by popping the previous address from the stack, restoring the saved context from the shadow registers and setting the GIE bit.

For additional information on a specific interrupt's operation, refer to its peripheral chapter.

### 14.1 Interrupt Latency

For external interrupt events, such as the INT pin or PORTGPx change interrupt, the interrupt latency will be three or four instruction cycles. The exact latency depends upon when the interrupt event occurs (refer to [Figure 14-2](#)). The latency is the same for one- or two-cycle instructions.

### 14.2 GPA2/INT Interrupt

The external interrupt on the GPA2/INT pin is edge-triggered, either on the rising edge if the INTEDG bit in the OPTION\_REG register is set, or the falling edge if the INTEDG bit is clear. When a valid edge appears on the GPA2/INT pin, the INTF bit in the INTCON register is set. This interrupt can be disabled by clearing the INTE control bit in the INTCON register. The INTF bit must be cleared by software in the Interrupt Service Routine before re-enabling this interrupt. The GPA2/INT interrupt can wake up the processor from Sleep, if the INTE bit was set prior to going into Sleep. Refer to [Section 15.0 "Power-Down Mode \(Sleep\)"](#) for details on Sleep and [Section 15.1 "Wake-Up from Sleep"](#) for timing of wake-up from Sleep through GPA2/INT interrupt.

**Note:** The ANSEL register must be initialized to configure an analog channel as a digital input. Pins configured as analog inputs will read '0' and cannot generate an interrupt.



## 14.3 Interrupt Control Registers

### 14.3.1 INTCON REGISTER

The INTCON register is a readable and writable register that contains the various enable and flag bits for the TMR0 register overflow, interrupt-on-change and external INT pin interrupts.

**Note:** Interrupt flag bits are set when an interrupt condition occurs, regardless of the state of its corresponding enable bit or the Global Enable bit, GIE, in the INTCON register. The user's software should ensure the appropriate interrupt flag bits are clear prior to enabling an interrupt.

#### REGISTER 14-1: INTCON: INTERRUPT CONTROL REGISTER

R/W-0	R/W-0	R/W-0	R/W-0	R/W-0	R/W-0	R/W-0	R/W-x
GIE	PEIE	TOIE	INTE	IOCE	TOIF	INTF	IOCF
bit 7							bit 0

#### Legend:

R = Readable bit	W = Writable bit	U = Unimplemented bit, read as '0'
-n = Value at POR	'1' = Bit is set	'0' = Bit is cleared
		x = Bit is unknown

- bit 7      **GIE:** Global Interrupt Enable bit  
             1 = Enables all unmasked interrupts  
             0 = Disables all interrupts
- bit 6      **PEIE:** Peripheral Interrupt Enable bit  
             1 = Enables all unmasked peripheral interrupts  
             0 = Disables all peripheral interrupts
- bit 5      **TOIE:** TMR0 Overflow Interrupt Enable bit  
             1 = Enables the TMR0 interrupt  
             0 = Disables the TMR0 interrupt
- bit 4      **INTE:** INT External Interrupt Enable bit  
             1 = Enables the INT external interrupt  
             0 = Disables the INT external interrupt
- bit 3      **IOCE:** Interrupt-on-Change Enable bit<sup>(1)</sup>  
             1 = Enables the interrupt-on-change  
             0 = Disables the interrupt-on-change
- bit 2      **TOIF:** TMR0 Overflow Interrupt Flag bit<sup>(2)</sup>  
             1 = TMR0 register has overflowed (must be cleared in software)  
             0 = TMR0 register did not overflow
- bit 1      **INTF:** External Interrupt Flag bit  
             1 = The external interrupt occurred (must be cleared in software)  
             0 = The external interrupt did not occur
- bit 0      **IOCF:** Interrupt-on-Change Interrupt Flag bit  
             1 = When at least one of the interrupt-on-change pins changed state  
             0 = None of the interrupt-on-change pins have changed state

- Note 1:** IOCx registers must also be enabled.
- Note 2:** TOIF bit is set when TMR0 rolls over. TMR0 is unchanged on Reset and should be initialized before clearing TOIF bit.

# MCP19114/5

## 14.3.1.1 PIE1 Register

The PIE1 register contains the Peripheral Interrupt Enable bits, as shown in [Register 14-2](#).

**Note 1:** Bit PEIE in the INTCON register must be set to enable any peripheral interrupt.

**REGISTER 14-2: PIE1: PERIPHERAL INTERRUPT ENABLE REGISTER 1**

U-0	R/W-0	R/W-0	R/W-0	R/W-0	R/W-0	R/W-0	R/W-0
—	ADIE	BCLIE	SSPIE	CC2IE	CC1IE	TMR2IE	TMR1IE
bit 7							bit 0

**Legend:**

R = Readable bit

W = Writable bit

U = Unimplemented bit, read as '0'

-n = Value at POR

'1' = Bit is set

'0' = Bit is cleared

x = Bit is unknown

- bit 7      **Unimplemented:** Read as '0'
- bit 6      **ADIE:** ADC Interrupt Enable bit  
1 = Enables the ADC interrupt  
0 = Disables the ADC interrupt
- bit 5      **BCLIE:** MSSP Bus Collision Interrupt Enable bit  
1 = Enables the MSSP Bus Collision Interrupt  
0 = Disables the MSSP Bus Collision Interrupt
- bit 4      **SSPIE:** Synchronous Serial Port (MSSP) Interrupt Enable bit  
1 = Enables the MSSP interrupt  
0 = Disables the MSSP interrupt
- bit 3      **CC2IE:** Capture2/Compare2 Interrupt Enable bit  
1 = Enables the Capture2/Compare2 interrupt  
0 = Disables the Capture2/Compare2 interrupt
- bit 2      **CC1IE:** Capture1/Compare1 Interrupt Enable bit  
1 = Enables the Capture1/Compare1 interrupt  
0 = Disables the Capture1/Compare1 interrupt
- bit 1      **TMR2IE:** Timer2 Interrupt Enable  
1 = Enables the Timer2 interrupt  
0 = Disables the Timer2 interrupt
- bit 0      **TMR1IE:** Timer1 Interrupt Enable  
1 = Enables the Timer1 interrupt  
0 = Disables the Timer1 interrupt

## 14.3.1.2 PIE2 Register

The PIE2 register contains the Peripheral Interrupt Enable bits, as shown in [Register 14-3](#).

**Note 1:** Bit PEIE in the INTCON register must be set to enable any peripheral interrupt.

**REGISTER 14-3: PIE2: PERIPHERAL INTERRUPT ENABLE REGISTER 2**

R/W-0	U-0	U-0	R/W-0	R/W-0	R/W-0	R/W-0	R/W-0
CDSIE	—	—	OTIE	OVIE	DRUVIE	OVLOIE	UVLOIE
bit 7							bit 0

**Legend:**

R = Readable bit                      W = Writable bit                      U = Unimplemented bit, read as '0'  
 -n = Value at POR                      '1' = Bit is set                      '0' = Bit is cleared                      x = Bit is unknown

- bit 7            **CDSIE:** Desaturation Detection Interrupt Enable bit  
                  1 = Enables the DESAT Detect interrupt  
                  0 = Disables the DESAT Detect interrupt
- bit 6-5        **Unimplemented:** Read as '0'
- bit 4            **OTIE:** Overtemperature Interrupt Enable bit  
                  1 = Enables overtemperature interrupt  
                  0 = Disables overtemperature interrupt
- bit 3            **OVIE:**  $V_{OUT}$  Overvoltage Interrupt Enable bit  
                  1 = Enables the OV interrupt  
                  0 = Disables the OV interrupt
- bit 2            **DRUVIE:** Gate Drive Undervoltage Lockout Interrupt Enable bit  
                  1 = Enables Gate Drive UVLO interrupt  
                  0 = Disables Gate Drive UVLO interrupt
- bit 1            **OVLOIE:**  $V_{IN}$  Overvoltage Lockout Interrupt Enable bit  
                  1 = Enables OVLO interrupt  
                  0 = Disables OVLO interrupt
- bit 0            **UVLOIE:**  $V_{IN}$  Undervoltage Lockout Interrupt Enable bit  
                  1 = Enables UVLO interrupt  
                  0 = Disables UVLO interrupt

# MCP19114/5

## 14.3.1.3 PIR1 Register

The PIR1 register contains the Peripheral Interrupt Flag bits, as shown in [Register 14-4](#).

**Note 1:** Interrupt flag bits are set when an interrupt condition occurs, regardless of the state of its corresponding enable bit or the Global Enable bit, GIE, in the INTCON register. The user's software should ensure the appropriate interrupt flag bits are clear prior to enabling an interrupt.

**REGISTER 14-4: PIR1: PERIPHERAL INTERRUPT FLAG REGISTER 1**

U-0	R/W-0	R/W-0	R/W-0	R/W-0	R/W-0	R/W-0	R/W-0
—	ADIF	BCLIF	SSPIF	CC2IF	CC1IF	TMR2IF	TMR1IF
bit 7							bit 0

**Legend:**

R = Readable bit

W = Writable bit

U = Unimplemented bit, read as '0'

-n = Value at POR

'1' = Bit is set

'0' = Bit is cleared

x = Bit is unknown

- bit 7      **Unimplemented:** Read as '0'
- bit 6      **ADIF:** ADC Interrupt Flag bit  
1 = ADC conversion complete  
0 = ADC conversion has not completed or has not been started
- bit 5      **BCLIF:** MSSP Bus Collision Interrupt Flag bit  
1 = Interrupt is pending  
0 = Interrupt is not pending
- bit 4      **SSPIF:** Synchronous Serial Port (MSSP) Interrupt Flag bit  
1 = Interrupt is pending  
0 = Interrupt is not pending
- bit 3      **CC2IF:** Capture2/Compare2 Interrupt Flag bit  
1 = Capture or Compare has occurred  
0 = Capture or Compare has not occurred
- bit 2      **CC1IF:** Capture1/Compare1 Interrupt Flag bit  
1 = Capture or Compare has occurred  
0 = Capture or Compare has not occurred
- bit 1      **TMR2IF:** Timer2 to PR2 Match Interrupt Flag  
1 = Timer2 to PR2 match occurred (must be cleared in software)  
0 = Timer2 to PR2 match did not occur
- bit 0      **TMR1IF:** Timer1 Interrupt Flag  
1 = Timer1 rolled over (must be cleared in software)  
0 = Timer1 has not rolled over

## 14.3.1.4 PIR2 Register

The PIR2 register contains the Peripheral Interrupt Flag bits, as shown in [Register 14-3](#).

**Note 1:** Interrupt flag bits are set when an interrupt condition occurs, regardless of the state of its corresponding enable bit or the Global Enable bit, GIE, in the INTCON register. The user's software should ensure the appropriate interrupt flag bits are clear prior to enabling an interrupt.

### REGISTER 14-5: PIR2: PERIPHERAL INTERRUPT FLAG REGISTER 2

R/W-0	U-0	U-0	R/W-0	R/W-0	R/W-0	R/W-0	R/W-0
CDSIF	—	—	OTIF	OVIF	DRUVIF	OVLOIF	UVLOIF
bit 7							bit 0

#### Legend:

R = Readable bit	W = Writable bit	U = Unimplemented bit, read as '0'
-n = Value at POR	'1' = Bit is set	'0' = Bit is cleared
		x = Bit is unknown

- bit 7      **CDSIF:** DESAT Detect comparator module interrupt flag bit
  - 1 = An interrupt is pending
  - 0 = An interrupt is not pending
- bit 6-5    **Unimplemented:** Read as '0'
- bit 4      **OTIF:** Overtemperature Interrupt Flag bit
  - 1 = Overtemperature event has occurred
  - 0 = Overtemperature event has not occurred
- bit 3      **OVIF:** Overvoltage Interrupt Flag bit
  - With OVINTP bit set:
  - 1 = A  $V_{OUT}$  Not Overvoltage to Overvoltage edge has been detected
  - 0 = A  $V_{OUT}$  Not Overvoltage to Overvoltage edge has not been detected
  - With OVINTN bit set:
  - 1 = A  $V_{OUT}$  Overvoltage to Not Overvoltage edge has been detected
  - 0 = A  $V_{OUT}$  Overvoltage to Not Overvoltage edge has not been detected
- bit 2      **DRUVIF:** Gate Drive Undervoltage Lockout Interrupt Flag bit
  - 1 = Gate Drive Undervoltage Lockout has occurred
  - 0 = Gate Drive Undervoltage Lockout has not occurred
- bit 1      **OVLOIF:**  $V_{IN}$  Overvoltage Lockout Interrupt Flag bit
  - With OVLOINTP bit set:
  - 1 = A  $V_{IN}$  Not Overvoltage to  $V_{IN}$  Overvoltage edge has been detected
  - 0 = A  $V_{IN}$  Not Overvoltage to  $V_{IN}$  Overvoltage edge has not been detected
  - With OVLOINTN bit set:
  - 1 = A  $V_{IN}$  Overvoltage to  $V_{IN}$  Not Overvoltage edge has been detected
  - 0 = A  $V_{IN}$  Overvoltage to  $V_{IN}$  Not Overvoltage edge has not been detected
- bit 0      **UVLOIF:**  $V_{IN}$  Undervoltage Lockout Interrupt Flag bit
  - With UVLOINTP bit set:
  - 1 = A  $V_{IN}$  Not Undervoltage to  $V_{IN}$  Undervoltage edge has been detected
  - 0 = A  $V_{IN}$  Not Undervoltage to  $V_{IN}$  Undervoltage edge has not been detected
  - With UVLOINTN bit set:
  - 1 = A  $V_{IN}$  Undervoltage to  $V_{IN}$  Not Undervoltage edge has been detected
  - 0 = A  $V_{IN}$  Undervoltage to  $V_{IN}$  Not Undervoltage edge has not been detected

# MCP19114/5

**TABLE 14-1: SUMMARY OF REGISTERS ASSOCIATED WITH INTERRUPTS**

Name	Bit 7	Bit 6	Bit 5	Bit 4	Bit 3	Bit 2	Bit 1	Bit 0	Register on Page
INTCON	GIE	PEIE	T0IE	INTE	IOCE	T0IF	INTF	IOCF	95
OPTION_REG	RAPU	INTEDG	T0CS	T0SE	PSA	PS2	PS1	PS0	78
PIE1	—	ADIE	BCLIE	SSPIE	CC2IE	CC1IE	TMR2IE	TMR1IE	96
PIE2	CDSIE	—	—	OTIE	OVIE	DRUVIE	OVLOIE	UVLOIE	97
PIR1	—	ADIF	BCLIF	SSPIF	—	—	TMR2IF	TMR1IF	98
PIR2	CDSIF	—	—	OTIF	OVIF	DRUVIF	OVLOIF	UVLOIF	99

**Legend:** — = unimplemented locations, read as '0'. Shaded cells are not used by Interrupts.

## 14.4 Context Saving During Interrupts

During an interrupt, only the return PC value is saved on the stack. Typically, users may wish to save key registers during an interrupt (e.g., W and STATUS registers). This must be implemented in software.

Temporary holding registers W\_TEMP and STATUS\_TEMP should be placed in the last 16 bytes of GPR (refer to Figure 10-3). These 16 locations are common to all banks and do not require banking. This makes context save and restore operations simpler. The code shown in Example 14-1 can be used to:

- Store the W register
- Store the STATUS register
- Execute the ISR code
- Restore the Status (and Bank Select Bit) register
- Restore the W register

**Note:** The MCP19114/5 do not require saving the PCLATH. However, if computed GOTOS are used in both the ISR and the main code, the PCLATH must be saved and restored in the ISR.

**EXAMPLE 14-1: SAVING STATUS AND W REGISTERS IN RAM**

```

MOVWF  W_TEMP           ;Copy W to TEMP register
SWAPF  STATUS,W         ;Swap status to be saved into W
                               ;Swaps are used because they do not affect the status bits

MOVWF  STATUS_TEMP      ;Save status to bank zero STATUS_TEMP register
:
:(ISR)                   ;Insert user code here
:
SWAPF  STATUS_TEMP,W    ;Swap STATUS_TEMP register into W
                               ;(sets bank to original state)

MOVWF  STATUS           ;Move W into STATUS register
SWAPF  W_TEMP,F         ;Swap W_TEMP
SWAPF  W_TEMP,W         ;Swap W_TEMP into W
    
```

## 15.0 POWER-DOWN MODE (SLEEP)

The Power-Down mode is entered by executing a `SLEEP` instruction.

Upon entering Sleep mode, the following conditions exist:

1. WDT will be cleared but keeps running, if enabled for operation during Sleep.
2.  $\overline{PD}$  bit in the STATUS register is cleared.
3.  $\overline{TO}$  bit in the STATUS register is set.
4. CPU clock is disabled.
5. The ADC is inoperable due to the absence of the 4V LDO power ( $AV_{DD}$ ).
6. I/O ports maintain the status they had before `SLEEP` was executed (driving high, low or high-impedance).
7. Resets other than WDT are not affected by Sleep mode.
8. Analog Circuit power ( $AV_{DD}$ ) is removed during Sleep mode.
9. POR level changes to 1.2V typical.

Refer to individual chapters for more details on peripheral operation during Sleep.

To minimize current consumption, the following conditions should be considered:

- I/O pins should not be floating.
- External circuitry sinking current from I/O pins.
- Internal circuitry sourcing current from I/O pins.
- Current draw from pins with internal weak pull-ups.
- Modules using Timer1 oscillator.

I/O pins that are high-impedance inputs should be pulled to  $V_{DD}$  or GND externally to avoid switching currents caused by floating inputs.

The `SLEEP` instruction removes power from the analog circuitry.  $AV_{DD}$  is shut down to minimize current draw in Sleep mode and to maintain a shutdown current of 30  $\mu$ A typical. The 5V LDO ( $V_{DD}$ ) voltage drops to 2.5V-3V in Sleep mode. External current draw from the 5V LDO ( $V_{DD}$ ) should be limited to less than 200  $\mu$ A. Loads drawing more than 200  $\mu$ A externally during Sleep mode risk loading down the  $V_{DD}$  voltage and tripping POR. A POR event during Sleep mode will wake the device from Sleep. The enable state of the analog circuitry does not change with the execution of the `SLEEP` instruction.

## 15.1 Wake-Up from Sleep

The device can wake up from Sleep through one of the following events:

1. External Reset input on  $\overline{MCLR}$  pin, if enabled
2. POR Reset
3. Watchdog Timer, if enabled
4. Any external interrupt
5. Interrupts by peripherals capable of running during Sleep (see individual peripheral for more information)

The first two events will cause a device reset. The last three events are considered a continuation of program execution. To determine whether a device reset or wake-up event occurred, refer to [Section 13.7 "Determining the Cause of a Reset"](#).

The following peripheral interrupts can wake the device from Sleep:

1. Interrupt-on-change
2. External Interrupt from INT pin

When the `SLEEP` instruction is being executed, the next instruction ( $PC + 1$ ) is prefetched. For the device to wake up through an interrupt event, the corresponding interrupt enable bit must be enabled. Wake-up will occur regardless of the state of the GIE bit. If the GIE bit is disabled, the device continues execution at the instruction after the `SLEEP` instruction. If the GIE bit is enabled, the device executes the instruction after the `SLEEP` instruction and will then call the Interrupt Service Routine. In cases where the execution of the instruction following `SLEEP` is not desirable, the user should have an `NOP` after the `SLEEP` instruction.

The WDT is cleared when the device wakes up from Sleep, regardless of the source of wake-up.

# MCP19114/5

## 15.1.1 WAKE-UP USING INTERRUPTS

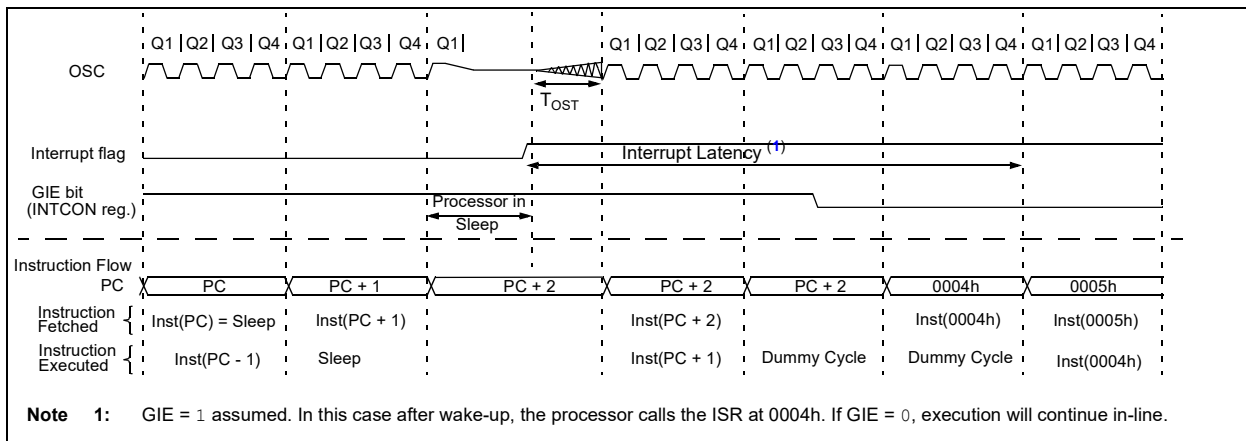
When global interrupts are disabled (GIE cleared) and any interrupt source has both its interrupt enable bit and interrupt flag bit set, one of the following will occur:

- If the interrupt occurs **before** the execution of a SLEEP instruction
  - SLEEP instruction will execute as an NOP
  - WDT and WDT prescaler will not be cleared
  - $\overline{TO}$  bit in the STATUS register will not be set
  - $\overline{PD}$  bit in the STATUS register will not be cleared

- If the interrupt occurs **during or after** the execution of a SLEEP instruction
  - SLEEP instruction will be completely executed
  - Device will immediately wake up from Sleep
  - WDT and WDT prescaler will be cleared
  - $\overline{TO}$  bit in the STATUS register will be set
  - $\overline{PD}$  bit in the STATUS register will be cleared

Even if the flag bits were checked before executing a SLEEP instruction, it may be possible for flag bits to become set before the SLEEP instruction completes. To determine whether a SLEEP instruction executed, test the  $\overline{PD}$  bit. If the  $\overline{PD}$  bit is set, the SLEEP instruction was executed as an NOP.

**FIGURE 15-1: WAKE-UP FROM SLEEP THROUGH INTERRUPT**



**TABLE 15-1: SUMMARY OF REGISTERS ASSOCIATED WITH POWER-DOWN MODE**

Name	Bit 7	Bit 6	Bit 5	Bit 4	Bit 3	Bit 2	Bit 1	Bit 0	Register on Page
INTCON	GIE	PEIE	TOIE	INTE	IOCE	T0IF	INTF	IOCF	95
IOCA	IOCA7	IOCA6	IOCA5	—	IOCA3	IOCA2	IOCA1	IOCA0	122
IOCB	IOCB7	IOCB6	IOCB5	IOCB4	—	—	IOCB1	IOCB0	122
PIE1	—	ADIE	BCLIE	SSPIE	CC2IE	CC1IE	TMR2IE	TMR1IE	96
PIE2	CDSIE	—	—	OTIE	OVIE	DRUVIE	OVLOIE	UVLOIE	97
PIR1	—	ADIF	BCLIF	SSPIF	CC2IF	CC1IF	TMR2IF	TMR1IF	98
PIR2	CDSIF	—	—	OTIF	OVIF	DRUVIF	OVLOIF	UVLOIF	99
STATUS	IRP	RP1	RP0	$\overline{TO}$	$\overline{PD}$	Z	DC	C	71

**Legend:** — = unimplemented, read as '0'. Shaded cells are not used in Power-Down mode.

## 16.0 WATCHDOG TIMER (WDT)

The Watchdog Timer is a free running timer. The WDT is enabled by setting the WDTE bit in the CONFIG register (default setting).

During normal operation, a WDT time out generates a device reset. If the device is in Sleep mode, a WDT time out causes the device to wake up and continue with normal operation.

The WDT can be permanently disabled by clearing the WDTE bit in the CONFIG register. Refer to [Section 11.1 “Configuration Word”](#) for more information.

### 16.1 Watchdog Timer (WDT) Operation

During normal operation, a WDT time out generates a device reset. If the device is in Sleep mode, a WDT time out causes the device to wake-up and continue with normal operation; this is known as a WDT wake-up. The WDT can be permanently disabled by clearing the WDTE configuration bit.

The postscaler assignment is fully under software control and can be changed during program execution.

### 16.2 WDT Period

The WDT has a nominal time-out period of 18 ms (with no prescaler). The time-out periods vary with temperature,  $V_{DD}$  and process variations from part to part (refer to [Table 5-3](#)). If longer time-out periods are desired, a prescaler with a division ratio of up to 1:128 can be assigned to the WDT under software control by writing to the OPTION\_REG register. Thus, time-out periods up to 2.3 seconds can be realized.

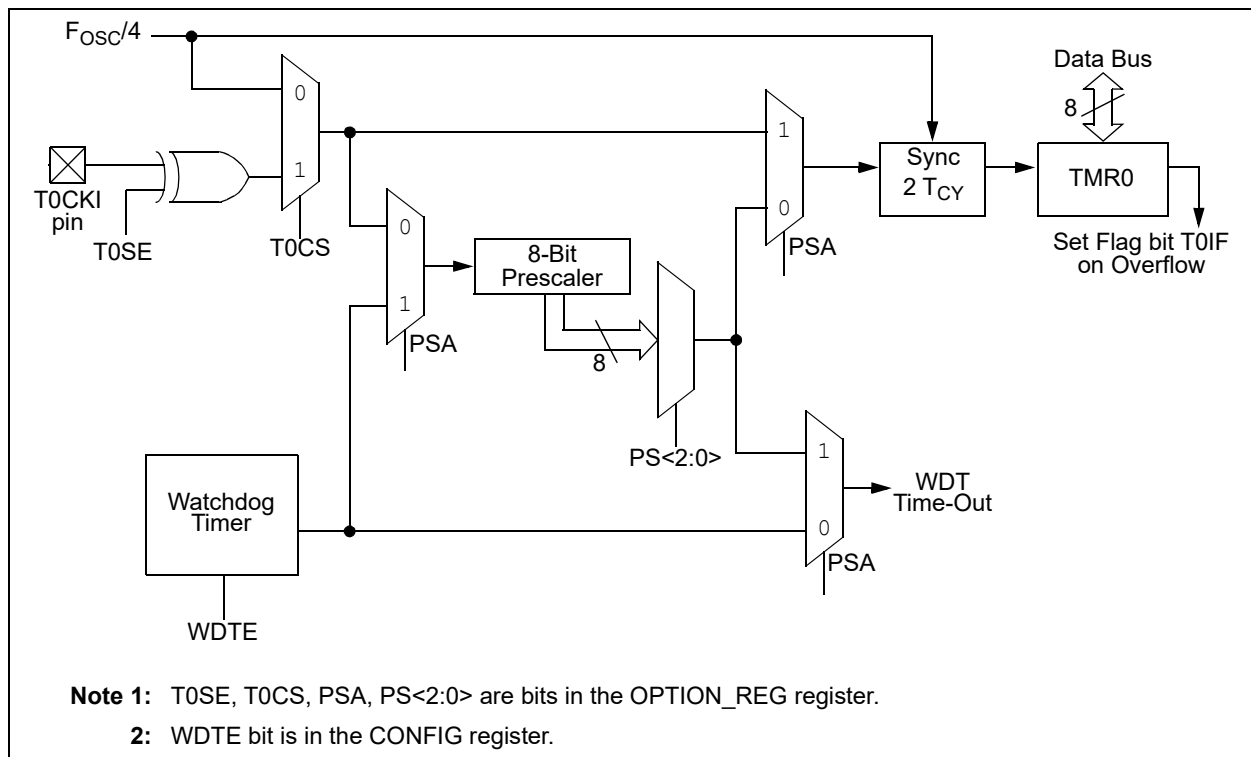
The CLRWDT and SLEEP instructions clear the WDT and the prescaler, if assigned to the WDT, and prevent it from timing out and generating a device reset.

The  $\overline{TO}$  bit in the STATUS register will be cleared upon a Watchdog Timer time out.

### 16.3 WDT Programming Considerations

Under worst-case conditions (i.e.,  $V_{DD}$  = Minimum, Temperature = Maximum, Maximum WDT prescaler), it may take several seconds before a WDT time out occurs.

**FIGURE 16-1: WATCHDOG TIMER WITH SHARED PRESCALE BLOCK DIAGRAM**



# MCP19114/5

**TABLE 16-1: WDT STATUS**

Conditions	WDT
WDTE = 0	Cleared
CLRWDT Command	
Exit Sleep	

**TABLE 16-2: SUMMARY OF REGISTERS ASSOCIATED WITH WATCHDOG TIMER**

Name	Bit 7	Bit 6	Bit 5	Bit 4	Bit 3	Bit 2	Bit 1	Bit 0	Register on Page
OPTION_REG	$\overline{\text{RAPU}}$	INTEDG	T0CS	T0SE	PSA	PS2	PS1	PS0	78

**Legend:** Shaded cells are not used by the Watchdog Timer.

**Note 1:** Refer to [Register 11-1](#) for operation of all the bits in the CONFIG register.

**TABLE 16-3: SUMMARY OF CONFIGURATION WORD ASSOCIATED WITH WATCHDOG TIMER**

Name	Bits	Bit -/7	Bit -/6	Bit 13/5	Bit 12/4	Bit 11/3	Bit 10/2	Bit 9/1	Bit 8/0	Register on Page
CONFIG	13:8	—	—	$\overline{\text{DBGEN}}$	—	WRT1	WRT0	—	BOREN	81
	7:0	—	$\overline{\text{CP}}$	MCLRE	$\overline{\text{PWRTE}}$	WDTE	—	—	—	

**Legend:** — = unimplemented location, read as '1'. Shaded cells are not used by Watchdog Timer.

## 17.0 FLASH PROGRAM MEMORY CONTROL

The Flash program memory is readable and writable during normal operation (full  $V_{IN}$  range). This memory is not directly mapped in the register file space. Instead, it is indirectly addressed through the Special Function Registers (refer to [Registers 17-1](#) to [17-5](#)). There are six SFRs used to read and write this memory:

- PMCON1
- PMCON2
- PMDATL
- PMDATH
- PMADRL
- PMADRH

When interfacing the program memory block, the PMDATL and PMDATH registers form a two-byte word which holds the 14-bit data for read/write, and the PMADRL and PMADRH registers form a two-byte word which holds the 13-bit address of the FLASH location being accessed. These devices have 4k words of program Flash with an address range from 0000h to 0FFFh.

The program memory allows single-word read and a four-word write. A four-word write automatically erases the row of the location and writes the new data (erase before write).

The write time is controlled by an on-chip timer. The write/erase voltages are generated by an on-chip charge pump rated to operate over the voltage range of the device for byte or word operations.

When the device is code-protected, the CPU may continue to read and write the Flash program memory.

Depending on the settings of the Flash Program Memory Enable (WRT<1:0>) bits, the device may or may not be able to write certain blocks of the program memory; however, reads of the program memory are allowed.

When the Flash Program Memory Code Protection ( $\overline{CP}$ ) bit is enabled, the program memory is code-protected and the device programmer (ICSP) cannot access data or program memory.

## 17.1 PMADRH and PMADRL Registers

The PMADRH and PMADRL registers can address up to a maximum of 4k words of program memory.

When selecting a program address value, the Most Significant Byte (MSB) of the address is written to the PMADRH register and the Least Significant Byte (LSB) is written to the PMADRL register.

## 17.2 PMCON1 and PMCON2 Registers

The PMCON1 register is the control register for the data program memory accesses.

Control bits RD and WR initiate read and write, respectively. In software, these bits can only be set, not cleared. They are cleared in hardware at completion of the read or write operation. The inability to clear the WR bit in software prevents the accidental premature termination of a write operation.

The WREN bit, when set, will allow a write operation. On power-up, the WREN bit is clear.

The CALSEL bit allows the user to read locations in test memory in case there are calibration bits stored in the calibration word locations that need to be transferred to SFR trim registers. The CALSEL bit is only for reads. If a write operation is attempted with CALSEL = 1, no write will occur.

PMCON2 is not a physical register. Reading PMCON2 will read all '0's. The PMCON2 register is used exclusively in the flash memory write sequence.

# MCP19114/5

## 17.3 Flash Program Memory Control Registers

### REGISTER 17-1: PMDATL: PROGRAM MEMORY DATA LOW BYTE REGISTER

R/W-0	R/W-0	R/W-0	R/W-0	R/W-0	R/W-0	R/W-0	R/W-0
PMDATL<7:0>							
bit 7							bit 0

**Legend:**

R = Readable bit  
-n = Value at POR

W = Writable bit  
'1' = Bit is set

U = Unimplemented bit, read as '0'  
'0' = Bit is cleared  
x = Bit is unknown

bit 7-0 **PMDATL<7:0>**: 8 Least Significant Data bits to Write or Read from Program Memory

### REGISTER 17-2: PMADRL: PROGRAM MEMORY ADDRESS LOW BYTE REGISTER

R/W-0	R/W-0	R/W-0	R/W-0	R/W-0	R/W-0	R/W-0	R/W-0
PMADRL<7:0>							
bit 7							bit 0

**Legend:**

R = Readable bit  
-n = Value at POR

W = Writable bit  
'1' = Bit is set

U = Unimplemented bit, read as '0'  
'0' = Bit is cleared  
x = Bit is unknown

bit 7-0 **PMADRL<7:0>**: 8 Least Significant Address bits for Program Memory Read/Write Operation

### REGISTER 17-3: PMDATH: PROGRAM MEMORY DATA HIGH BYTE REGISTER

U-0	U-0	R/W-0	R/W-0	R/W-0	R/W-0	R/W-0	R/W-0
—	—	PMDATH<5:0>					
bit 7							bit 0

**Legend:**

R = Readable bit  
-n = Value at POR

W = Writable bit  
'1' = Bit is set

U = Unimplemented bit, read as '0'  
'0' = Bit is cleared  
x = Bit is unknown

bit 7-6 **Unimplemented:** Read as '0'

bit 5-0 **PMDATH<5:0>**: 6 Most Significant Data bits from Program Memory

## REGISTER 17-4: PMADRH: PROGRAM MEMORY ADDRESS HIGH BYTE REGISTER

U-0	U-0	U-0	U-0	R/W-0	R/W-0	R/W-0	R/W-0
—	—	—	—	PMADRH<3:0>			
bit 7							bit 0

### Legend:

R = Readable bit                      W = Writable bit                      U = Unimplemented bit, read as '0'  
 -n = Value at POR                      '1' = Bit is set                      '0' = Bit is cleared                      x = Bit is unknown

bit 7-4                      **Unimplemented:** Read as '0'  
 bit 3-0                      **PMADRH<3:0>:** 4 Most Significant Address bits or High bits for Program Memory Reads

## REGISTER 17-5: PMCON1: PROGRAM MEMORY CONTROL REGISTER 1

U-1	R/W-0	U-0	U-0	U-0	R/W-0	R/S-0	R/S-0
—	CALSEL	—	—	—	WREN	WR	RD
bit 7							bit 0

### Legend:

R = Readable bit                      W = Writable bit                      U = Unimplemented bit, read as '0'  
 -n = Value at POR                      '1' = Bit is set                      '0' = Bit is cleared                      x = Bit is unknown  
 S = Bit can only be set

bit 7                      **Unimplemented:** Read as '1'  
 bit 6                      **CALSEL:** Program Memory calibration space select bit  
                                  1 = Select test memory area for reads only (for loading calibration trim registers)  
                                  0 = Select user area for reads  
 bit 5-3                      **Unimplemented:** Read as '0'  
 bit 2                      **WREN:** Program Memory Write Enable bit  
                                  1 = Allows write cycles  
                                  0 = Inhibits write to the EEPROM  
 bit 1                      **WR:** Write Control bit  
                                  1 = Initiates a write cycle to program memory. (The bit is cleared by hardware when write is complete.  
                                                                       The WR bit can only be set (not cleared) in software.)  
                                  0 = Write cycle to the Flash memory is complete  
 bit 0                      **RD:** Read Control bit  
                                  1 = Initiates a program memory read. (The read takes one cycle. The RD is cleared in hardware; the  
                                                                       RD bit can only be set (not cleared) in software.)  
                                  0 = Does not initiate a Flash memory read

# MCP19114/5

## 17.3.1 READING THE FLASH PROGRAM MEMORY

To read a program memory location, the user must write two bytes of the address to the PMADRL and PMADRH registers, and then set control bit RD (bit 0 in the PMCON1 register). Once the read control bit is set, the Program Memory Flash controller will use the second instruction cycle to read the data. This causes the second instruction immediately following the `BSF PMCON1, RD` instruction to be ignored. The data is available, in the very next cycle, in the PMDATL and PMDATH registers; it can be read as two bytes in the following instructions. PMDATL and PMDATH registers will hold this value until another read or until it is written to by the user (during a write operation).

### EXAMPLE 17-1: FLASH PROGRAM READ

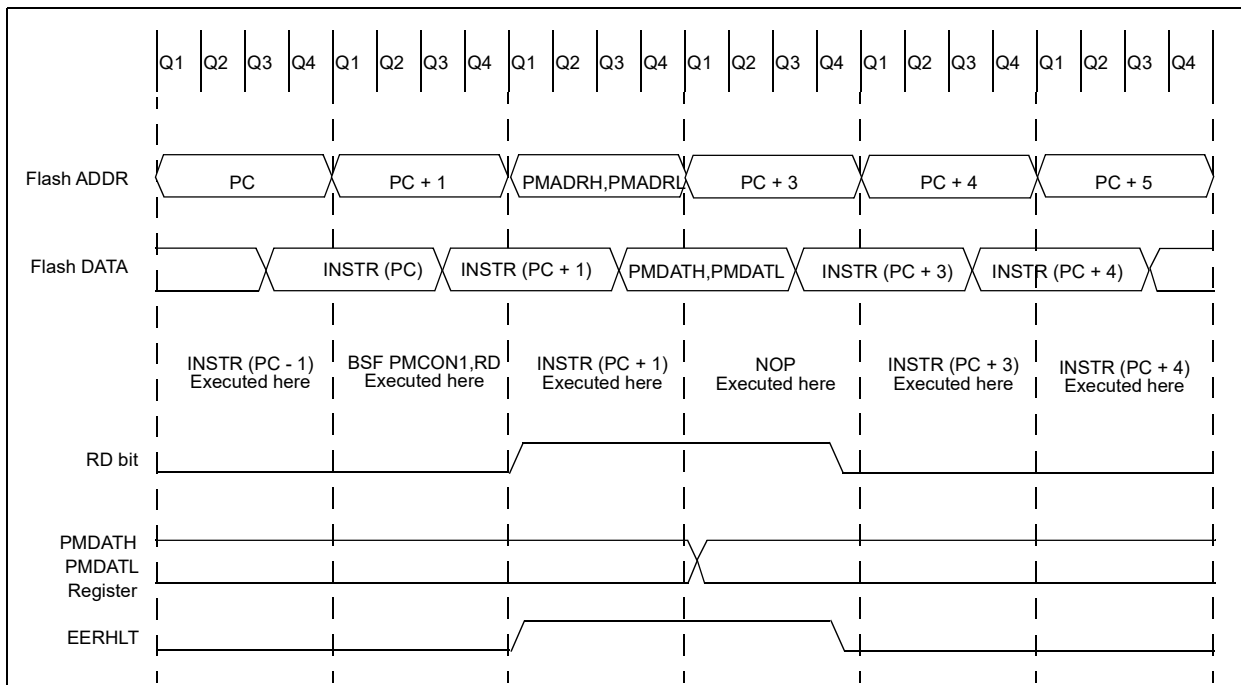
```

BANKSELPM_ADR; Change STATUS bits RP1:0 to select bank with PMADR
MOVLWMS_PROG_PM_ADDR;
MOVWFPADRH; MS Byte of Program Address to read
MOVLWLS_PROG_PM_ADDR;
MOVWFPADRL; LS Byte of Program Address to read
BANKSELPMCON1; Bank to containing PMCON1
BSF PMCON1, RD; EE Read

NOP      ; First instruction after BSF PMCON1,RD executes normally

NOP      ; Any instructions here are ignored as program
          ; memory is read in second cycle after BSF PMCON1,RD
          ;
BANKSELPMDATL; Bank to containing PMADRL
MOVFPMDATL, W; W = LS Byte of Program PMDATL
MOVFPMDATH, W; W = MS Byte of Program PMDATL
    
```

**FIGURE 17-1: FLASH PROGRAM MEMORY READ CYCLE EXECUTION – NORMAL MODE**



### 17.3.2 WRITING TO THE FLASH PROGRAM MEMORY

A word of the Flash program memory may only be written to if the word is in an unprotected segment of memory, as defined in [Section 11.1 “Configuration Word”](#) (bits <WRT1:0>).

**Note:** The write protect bits are used to protect the user’s program from modification by the user’s code. They have no effect when programming is performed by ICSP. The code-protect bits, when programmed for code protection, will prevent the program memory from being written via the ICSP interface.

Flash program memory must be written in four-word blocks. Refer to [Figures 17-2](#) and [17-3](#) for more details. A block consists of four words with sequential addresses, with a lower boundary defined by an address, where  $PMADRL<1:0> = 00$ . All block writes to program memory are done as 16-word erase by four-word write operations. The write operation is edge-aligned and cannot occur across boundaries.

To write program data, the WREN bit must first be loaded into the buffer registers (refer to [Figure 17-2](#)). This is accomplished by first writing the destination address to PMADRL and PMADRH and then writing the data to PMDATL and PMDATH. After the address and data have been set, the following sequence of events must be executed:

1. Write 55h, then AAh, to PMCON2 (Flash programming sequence).
2. Set the WR control bit in the PMCON1 register.

All four buffer register locations should be written to with correct data. If less than four words are being written to in the block of four words, a read from the program memory location(s) not being written to must be performed. This takes the data from the program location(s) not being written and loads it into the PMDATL and PMDATH registers. Then the sequence of events to transfer data to the buffer registers must be executed.

To transfer data from the buffer registers to the program memory, the PMADRL and PMADRH must point to the last location in the four-word block ( $PMADRL<1:0> = 11$ ). Then the following sequence of events must be executed:

1. Write 55h, then AAh, to PMCON2 (Flash programming sequence).
2. Set control bit WR in the PMCON1 register to begin the write operation.

The user must follow the same specific sequence to initiate the write for each word in the program block, writing each program word in sequence (000, 001, 010, 011). When the write is performed on the last word ( $PMADRL<1:0> = 11$ ), a block of sixteen words is automatically erased and the content of the four-word buffer registers are written into the program memory.

After the `BSF PMCON1, WR` instruction, the processor requires two cycles to set up the erase/write operation. The user must place two `NOP` instructions after the WR bit is set. Since data is being written to buffer registers, the writing of the first three words of the block appears to occur immediately. The processor will halt internal operations for the typical 4 ms only during the cycle in which the erase takes place (i.e., the last word of the sixteen-word block erase). This is not Sleep mode, as the clocks and peripherals will continue to run. After the four-word write cycle, the processor will resume operation with the third instruction after the PMCON1 write instruction. The above sequence must be repeated for the higher 12 words.

**Note:** An erase is only initiated for the write of four words just after a row boundary; or  $PMCON1<WR>$  set with  $PMADRL<3:0> = \text{xxxx}0011$ .

Refer to [Figure 17-2](#) for a block diagram of the buffer registers and the control signals for test mode.

### 17.3.3 PROTECTION AGAINST SPURIOUS WRITE

There are conditions when the device should not write to the program memory. To protect against spurious writes, various mechanisms have been built in. On power-up, WREN is cleared. Also, the Power-Up Timer (72 ms duration) prevents program memory writes.

The write initiate sequence and the WREN bit help prevent an accidental write during a power glitch or software malfunction.

### 17.3.4 OPERATION DURING CODE PROTECT

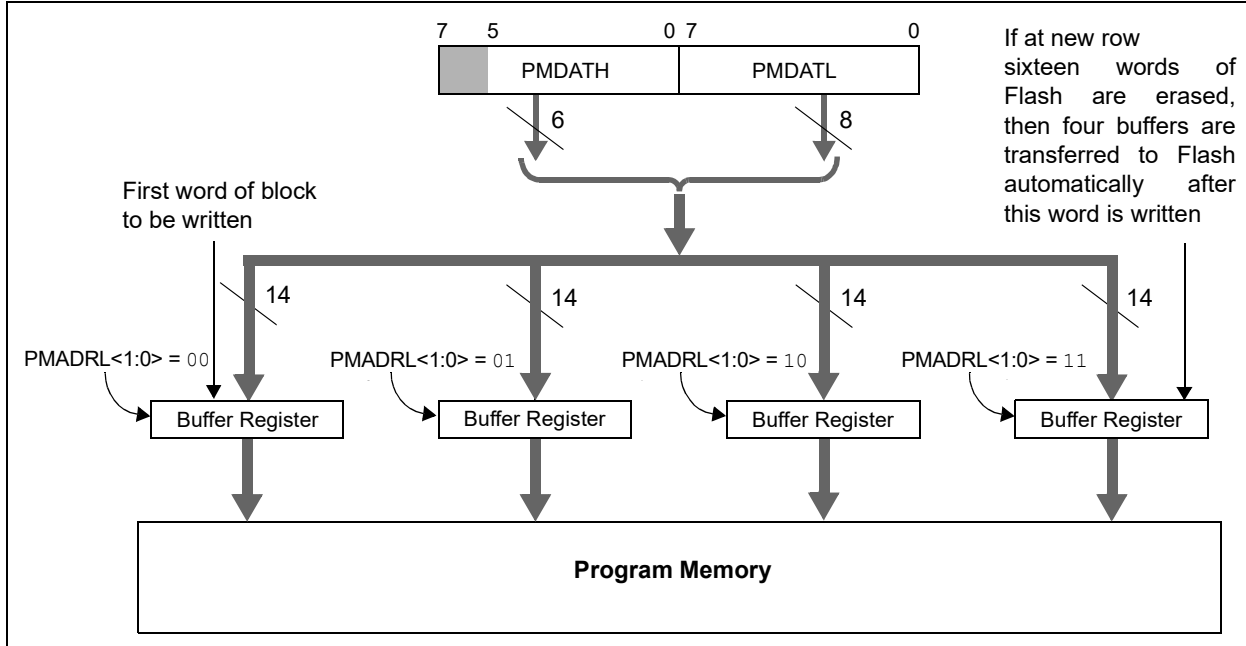
When the device is code-protected, the CPU is able to read and write unscrambled data to the program memory. The test mode access is disabled.

### 17.3.5 OPERATION DURING WRITE PROTECT

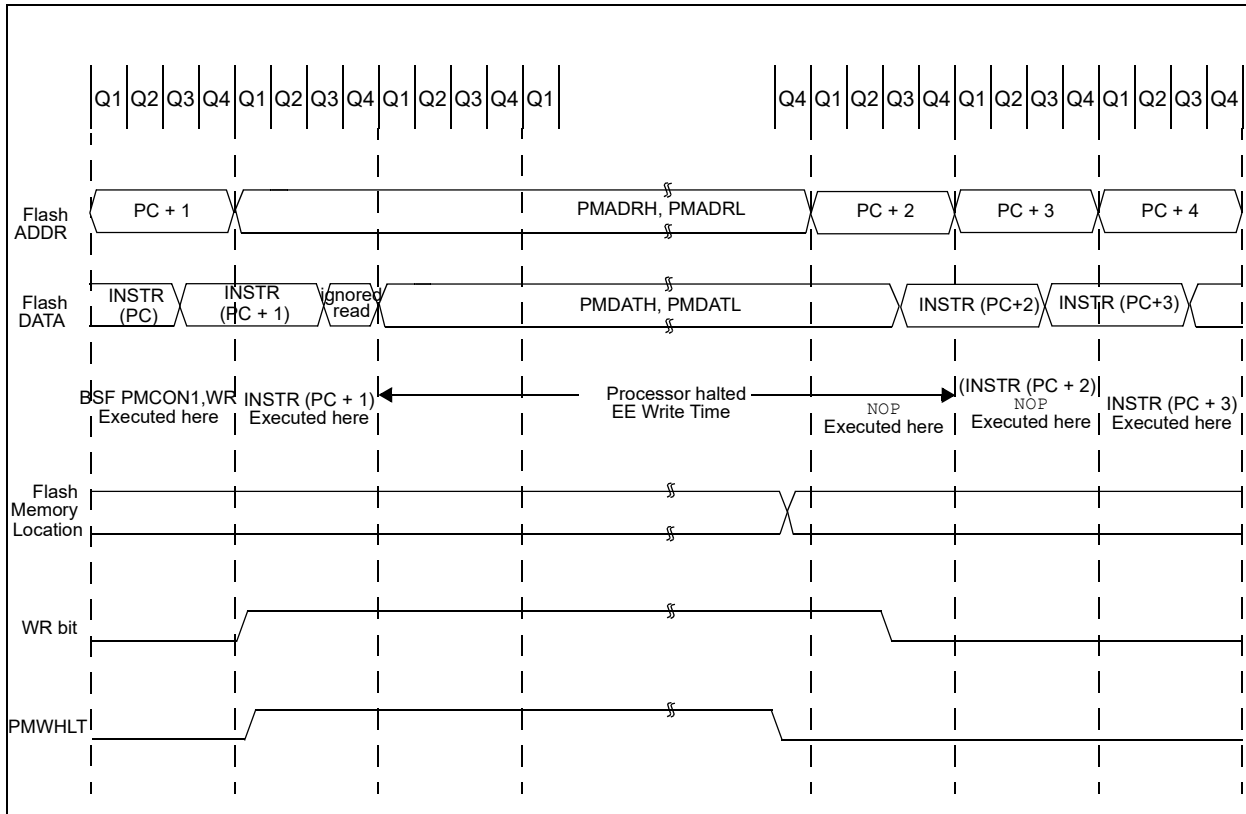
When the program memory is write-protected, the CPU can read and execute from the program memory. The portions of program memory that are write-protected cannot be modified by the CPU using the PMCON registers. The write protection has no effect in ICSP mode.

# MCP19114/5

**FIGURE 17-2: BLOCK WRITES TO 4K FLASH PROGRAM MEMORY**



**FIGURE 17-3: FLASH PROGRAM MEMORY LONG WRITE CYCLE EXECUTION**



## 18.0 I/O PORTS

In general, when a peripheral is enabled, that pin may not be used as a general-purpose I/O pin.

Each port has the registers for its operation. These registers are:

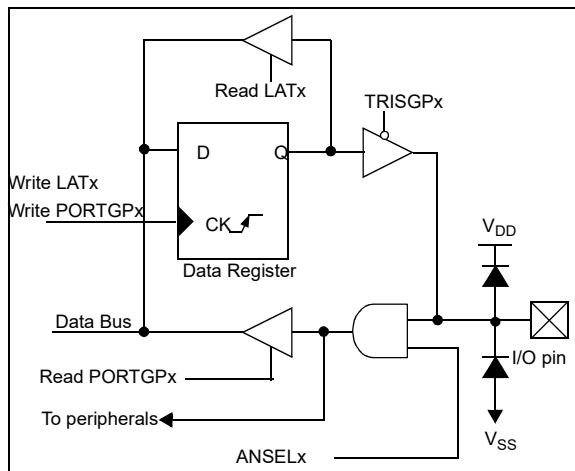
- TRISGPx registers (data direction register)
- PORTGPx registers (read the levels on the pins of the device)

Some ports may have one or more of the following additional registers. These registers are:

- ANSELx (analog select)
- WPUGPx (weak pull-up)

Ports with analog functions also have an ANSELx register, which can disable the digital input and save power. A simplified model of a generic I/O port, without the interfaces to other peripherals, is shown in [Figure 18-1](#).

**FIGURE 18-1: GENERIC I/O PORTGPX OPERATION**



**EXAMPLE 18-1: INITIALIZING PORTGPA**

```

; This code example illustrates
; initializing the PORTGPA register. The
; other ports are initialized in the same
; manner.

BANKSEL PORTGPA;
CLRF   PORTGPA;Init PORTA
BANKSEL ANSELA;
CLRF   ANSELA;digital I/O
BANKSEL TRISGPA;
MOVLW  B'00011111';Set GPA<3:0> as
        ;inputs
MOVWF  TRISGPA;and set GPA<7:5> as
        ;outputs
    
```

## 18.1 PORTGPA and TRISGPA Registers

PORTGPA is an 8-bit wide, bidirectional port consisting of five CMOS I/Os, one open-drain I/O and one open-drain input-only pin (GPA4 is not available). The corresponding data direction register is TRISGPA. Setting a TRISGPA bit to 1 will make the corresponding PORTGPA pin an input (i.e., disable the output driver). Clearing a TRISGPA bit set to 0 will make the corresponding PORTGPA pin an output (i.e., enables output driver). The exception is GPA5, which is input only and its TRISGPA bit will always read as '1'. [Example 18-1](#) shows how to initialize an I/O port.

Reading the PORTGPA register reads the status of the pins, whereas writing to it will write to the PORT latch. All write operations are read-modify-write operations.

The TRISGPA register controls the PORTGPA pin output drivers, even when they are being used as analog inputs. The user must ensure the bits in the TRISGPA register are maintained set when using them as analog inputs. I/O pins configured as analog input always read '0'. If the pin is configured for a digital output (either port or alternate function), the TRISGPA bit must be cleared in order for the pin to drive the signal, and a read will reflect the state of the pin.

### 18.1.1 INTERRUPT-ON-CHANGE

Each PORTGPA pin is individually configurable as an interrupt-on-change pin. Control bits IOCB<7:4> and IOCB<2:0> enable or disable the interrupt function for each pin. The interrupt-on-change feature is disabled on a Power-On Reset. Reference [Section 19.0 "Interrupt-On-Change"](#) for more information.

### 18.1.2 WEAK PULL-UPS

PORTGPA <3:0> and PORTGPA5 have an internal weak pull-up. PORTGPA<7:6> do not have internal weak pull-ups. Individual control bits can enable or disable the internal weak pull-ups (refer to [Register 18-3](#)). The weak pull-up is automatically turned off when the port pin is configured as an output, an alternative function or on a Power-On Reset setting the RAPU bit in the OPTION\_REG register. The weak pull up on GPA5 is automatically enabled when the pin is configured as MCLR and there is no software control in this case. However when the pin is configured as an I/O then there IS software control of the weak pull just like all of the other pins.

# MCP19114/5

## 18.1.3 ANSELA REGISTER

The ANSELA register is used to configure the input mode of an I/O pin to analog. Setting the appropriate ANSELA bit high will cause all digital reads on the pin to be read as '0' and allow analog functions on the pin to operate correctly.

The state of the ANSELA bits has no effect on digital output functions. A pin with TRISGPA cleared and ANSELx set will still operate as a digital output, but the input mode will be analog. This can cause unexpected behavior when executing read-modify-write instructions on the affected port.

**Note:** The ANSELA bits default to the Analog mode after Reset. To use any pins as digital general-purpose or peripheral inputs, the corresponding ANSEL bits must be initialized to '0' by the user's software.

## 18.1.4 PORTGPA FUNCTIONS AND OUTPUT PRIORITIES

Each PORTGPA pin is multiplexed with other functions. The pins, their combined functions and their output priorities are shown in [Table 18-1](#). For additional information, refer to the appropriate section in this data sheet.

Pin GPA7 in the PORTGPA register is a true open-drain pin with no connection back to  $V_{DD}$ .

When multiple outputs are enabled, the actual pin control goes to the peripheral with the highest priority.

Analog input functions, such as ADC, are not shown in the priority lists. These inputs are active when the I/O pin is set for Analog mode using the ANSELA register. Digital output functions may control the pin when it is in Analog mode with the priority shown in [Table 18-1](#).

**TABLE 18-1: PORTGPA OUTPUT PRIORITY**

Pin Name	Function Priority <sup>(1)</sup>
GPA0	GPA0
	TEST_OUT
GPA1	GPA1
	CLKPIN
GPA2	GPA2
	T0CKI
	INT
GPA3	GPA3
GPA5	GPA5 (open-drain, input only)
	MCLR
	TEST_EN
GPA6	GPA6
	CCD
	ICSPDAT
GPA7	GPA7 (open-drain output, ST input)
	SCL

**Note 1:** Output function priority listed from lowest to highest.

## REGISTER 18-1: PORTGPA: PORTGPA REGISTER

R/W-x	R/W-x	R-x	U-0	R/W-x	R/W-x	R/W-x	R/W-x
GPA7	GPA6	GPA5	—	GPA3	GPA2	GPA1	GPA0
bit 7							bit 0

### Legend:

R = Readable bit	W = Writable bit	U = Unimplemented bit, read as '0'
u = Bit is unchanged	x = Bit is unknown	-n = Value at POR
'1' = Bit is set	'0' = Bit is cleared	

- bit 7      **GPA7:** General-Purpose Open-Drain I/O pin  
           1 = Port pin is >  $V_{IH}$   
           0 = Port pin is <  $V_{IL}$
- bit 6      **GPA6:** General-Purpose I/O pin  
           1 = Port pin is >  $V_{IH}$   
           0 = Port pin is <  $V_{IL}$
- bit 5      **GPA5/MCLR/TEST\_EN5:** General-Purpose Open-Drain input pin
- bit 4      **Unimplemented:** Read as '0'
- bit 3-0    **GPA<3:0>:** General-Purpose I/O pin  
           1 = Port pin is >  $V_{IH}$   
           0 = Port pin is <  $V_{IL}$

## REGISTER 18-2: TRISGPA: PORTGPA TRI-STATE REGISTER

R/W-1	R/W-1	R-1	U-0	R/W-1	R/W-1	R/W-1	R/W-1
TRISA7	TRISA6	TRISA5	—	TRISA3	TRISA2	TRISA1	TRISA0
bit 7							bit 0

### Legend:

R = Readable bit	W = Writable bit	U = Unimplemented bit, read as '0'
u = Bit is unchanged	x = Bit is unknown	-n = Value at POR
'1' = Bit is set	'0' = Bit is cleared	

- bit 7-6    **TRISA<7:6>:** PORTGPA Tri-State Control bit  
           1 = PORTGPA pin configured as an input (tri-stated)  
           0 = PORTGPA pin configured as an output
- bit 5      **TRISA5:** GPA5 Port Tri-State Control bit  
           This bit is always '1' as GPA5 is an input only
- bit 4      **Unimplemented:** Read as '0'
- bit 3-0    **TRISA<3:0>:** PORTGPA Tri-State Control bit  
           1 = PORTGPA pin configured as an input (tri-stated)  
           0 = PORTGPA pin configured as an output

# MCP19114/5

## REGISTER 18-3: WPUGPA: WEAK PULL-UP PORTGPA REGISTER

U-0	U-0	R/W-1	U-0	R/W-1	R/W-1	R/W-1	R/W-1
—	—	WPUA5	—	WPUA3	WPUA2	WPUA1	WPUA0
bit 7							bit 0

### Legend:

R = Readable bit	W = Writable bit	U = Unimplemented bit, read as '0'
u = Bit is unchanged	x = Bit is unknown	-n = Value at POR
'1' = Bit is set	'0' = Bit is cleared	

bit 7-6 **Unimplemented:** Read as '0'

bit 5 **WPUA5:** Weak Pull-Up Register bit

1 = Pull-up enabled

0 = Pull-up disabled

bit 4 **Unimplemented:** Read as '0'

bit 3-0 **WPUA<3:0>:** Weak Pull-Up Register bit

1 = Pull-up enabled

0 = Pull-up disabled

**Note 1:** The weak pull-up device is enabled only when the global  $\overline{\text{RAPU}}$  bit is enabled, the pin is in input mode ( $\text{TRISGPA} = 1$ ) and the individual WPUA bit is enabled ( $\text{WPUA} = 1$ ), and the pin is not configured as an analog input.

**2:** GPA5 weak pull-up is also enabled when the pin is configured as  $\overline{\text{MCLR}}$  in the CONFIG register.

## REGISTER 18-4: ANSELA: ANALOG SELECT GPA REGISTER

U-0	U-0	U-0	U-0	R/W-1	R/W-1	R/W-1	R/W-1
—	—	—	—	ANSA3	ANSA2	ANSA1	ANSA0
bit 7							bit 0

### Legend:

R = Readable bit	W = Writable bit	U = Unimplemented bit, read as '0'
u = Bit is unchanged	x = Bit is unknown	-n = Value at POR
'1' = Bit is set	'0' = Bit is cleared	

bit 7-4 **Unimplemented:** Read as '0'

bit 3-0 **ANSA<3:0>:** Analog Select GPA Register bit

1 = Analog input. Pin is assigned as analog input.<sup>(1)</sup>

0 = Digital I/O. Pin is assigned to port or special function.

**Note 1:** Setting a pin to an analog input automatically disables the digital input circuitry, weak pull-ups and interrupt-on-change if available. The corresponding TRISA bit must be set to Input mode in order to allow external control of the voltage on the pin.

**TABLE 18-2: SUMMARY OF REGISTERS ASSOCIATED WITH PORTGPA**

Name	Bit 7	Bit 6	Bit 5	Bit 4	Bit 3	Bit 2	Bit 1	Bit 0	Register on Page
ANSELA	—	—	—	—	ANSA3	ANSA2	ANSA1	ANSA0	<a href="#">114</a>
OPTION_REG	$\overline{\text{RAPU}}$	INTEDG	T0CS	T0SE	PSA	PS2	PS1	PS0	<a href="#">78</a>
PORTGPA	GPA7	GPA6	GPA5	—	GPA3	GPA2	GPA1	GPA0	<a href="#">113</a>
TRISGPA	TRISA7	TRISA6	TRISA5	—	TRISA3	TRISA2	TRISA1	TRISA0	<a href="#">113</a>
WPUGPA	—	—	WPUA5	—	WPUA3	WPUA2	WPUA1	WPUA0	<a href="#">114</a>

**Legend:** — = unimplemented locations read as '0'. Shaded cells are not used by PORTGPA.

## 18.2 PORTGPB and TRISGPB Registers

Due to special function pin requirements, a limited number of the PORTGPB I/Os are utilized. On the 24-pin QFN MCP19114, GPB0 and GPB1 are implemented. GPB0 is an open-drain general-purpose I/O and SDA pin. GPB1 is a general-purpose I/O, analog input and VREF2 DAC output. The 28-pin QFN MCP19114 has four additional general-purpose PORTGPB I/O pins. The corresponding data direction register is TRISGPB. Setting a TRISGPB bit to 1 will make the corresponding PORTGPB pin an input (i.e., disable the output driver). Clearing a TRISGPB bit to 0 will make the corresponding PORTGPB pin an output (i.e., enable the output driver). [Example 18-1](#) shows how to initialize an I/O port.

Some pins for PORTGPB are multiplexed with an alternate function for the peripheral or a clock function. In general, when a peripheral or clock function is enabled, that pin may not be used as a general-purpose I/O pin.

Reading the PORTGPB register reads the status of the pins, whereas writing to it will write to the PORT latch. All write operations are read-modify-write operations.

The TRISGPB register controls the PORTGPB pin output drivers, even when they are being used as analog inputs. The user should ensure the bits in the TRISGPB register are maintained set when using them as analog inputs. I/O pins configured as analog input always read '0'. If the pin is configured for a digital output (either port or alternate function), the TRISGPB bit must be cleared in order for the pin to drive the signal and a read will reflect the state of the pin.

### 18.2.1 INTERRUPT-ON-CHANGE

Each PORTGPB pin is individually configurable as an interrupt-on-change pin. Control bits IOCB<7:4> and IOCB<2:0> enable or disable the interrupt function for each pin. The interrupt-on-change feature is disabled on a Power-On Reset. Reference [Section 19.0 "Interrupt-On-Change"](#) for more information.

### 18.2.2 WEAK PULL-UPS

Each of the PORTGPB pins has an individually configurable internal weak pull-up. Control bits WPUB<7:4> and WPUB<1> enable or disable each pull-up (refer to [Register 18-7](#)). Each weak pull-up is automatically turned off when the port pin is configured as an output. All pull-ups are disabled on a Power-On Reset by the  $\overline{\text{RAPU}}$  bit in the OPTION\_REG register.

### 18.2.3 ANSELB REGISTER

The ANSELB register is used to configure the input mode of an I/O pin to analog. Setting the appropriate ANSELB bit high will cause all digital reads on the pin to be read as '0' and allow analog functions on the pin to operate correctly.

The state of the ANSELB bits has no effect on the digital output functions. A pin with TRISGPB clear and ANSELB set will still operate as a digital output, but the input mode will be analog. This can cause unexpected behavior when executing read-modify-write instructions on the affected port.

The TRISGPB register controls the PORTGPB pin output drivers, even when they are being used as analog inputs. The user should ensure the bits in the TRISGPB register are maintained set when using them as analog inputs. I/O pins configured as analog input always read '0'.

**Note:** The ANSELB bits default to the Analog mode after Reset. To use any pins as digital general-purpose or peripheral inputs, the corresponding ANSELB bits must be initialized to '0' by the user's software.

## 18.2.4 PORTGPB FUNCTIONS AND OUTPUT PRIORITIES

Each PORTGPB pin is multiplexed with other functions. The pins, their combined functions and their output priorities are shown in [Table 18-3](#). For additional information, refer to the appropriate section in this data sheet.

GPB0 pin in the PORTGPB register is a true open-drain pin with no connection back to  $V_{DD}$ .

When multiple outputs are enabled, the actual pin control goes to the peripheral with the highest priority.

Analog input functions, such as ADC, and some digital input functions are not included in the list below. These inputs are active when the I/O pin is set for Analog mode using the ANSELB register. Digital output functions may control the pin when it is in Analog mode, with the priority shown in [Table 18-3](#).

**TABLE 18-3: PORTGPB OUTPUT PRIORITY**

Pin Name	Function Priority <sup>(1)</sup>
GPB0	GPB0 (open-drain input/output)
	SDA
GPB1	GPB1
	VREF2
GPB4	GPB4 ( <b>MCP19115</b> )
	ICSPDAT
GPB5	GPB5 ( <b>MCP19115</b> )
GPB6	GPB6 ( <b>MCP19115</b> )
GPB7	GPB7 ( <b>MCP19115</b> )
	CCD2

**Note 1:** Output function priority listed from lowest to highest.

## REGISTER 18-5: PORTGPB: PORTGPB REGISTER

R/W-x	R/W-x	R/W-x	R/W-x	U-0	U-0	R/W-x	R/W-x
GPB7 <sup>(1)</sup>	GPB6 <sup>(1)</sup>	GPB5 <sup>(1)</sup>	GPB4 <sup>(1)</sup>	—	—	GPB1	GPB0
bit 7							bit 0

### Legend:

R = Readable bit

W = Writable bit

U = Unimplemented bit, read as '0'

u = bit is unchanged

x = Bit is unknown

-n = Value at POR

'1' = Bit is set

'0' = Bit is cleared

bit 7-4 **GPB<7:4>**: General-Purpose I/O Pin bit

1 = Port pin is  $> V_{IH}$

0 = Port pin is  $< V_{IL}$

bit 3-2 **Unimplemented**: Read as '0'

bit 1-0 **GPB<1:0>**: General-Purpose I/O Pin bit

1 = Port pin is  $> V_{IH}$

0 = Port pin is  $< V_{IL}$

**Note 1:** MCP19115 only.

# MCP19114/5

## REGISTER 18-6: TRISGPB: PORTGPB TRI-STATE REGISTER

R/W-1	R/W-1	R/W-1	R/W-1	U-0	U-0	R/W-1	R/W-1
TRISB7 <sup>(1)</sup>	TRISB6 <sup>(1)</sup>	TRISB5 <sup>(1)</sup>	TRISB4 <sup>(1)</sup>	—	—	TRISB1	TRISB0
bit 7							bit 0

### Legend:

R = Readable bit                      W = Writable bit                      U = Unimplemented bit, read as '0'  
u = Bit is unchanged                  x = Bit is unknown                      -n = Value at POR  
'1' = Bit is set                          '0' = Bit is cleared

- bit 7-4            **TRISB<7:4>**: PORTGPB Tri-State Control bit  
                    1 = PORTGPB pin configured as an input (tri-stated)  
                    0 = PORTGPB pin configured as an output
- bit 3-2            **Unimplemented**: Read as '0'
- bit 1-0            **TRISB<1:0>**: PORTGPB Tri-State Control bit  
                    1 = PORTGPB pin configured as an input (tri-stated)  
                    0 = PORTGPB pin configured as an output

**Note 1:** MCP19115 only.

## REGISTER 18-7: WPUGPB: WEAK PULL-UP PORTGPB REGISTER

R/W-1	R/W-1	R/W-1	R/W-1	U-0	U-0	R/W-1	U-0
WPUB7 <sup>(2)</sup>	WPUB6 <sup>(2)</sup>	WPUB5 <sup>(2)</sup>	WPUB4 <sup>(2)</sup>	—	—	WPUB1	—
bit 7							bit 0

### Legend:

R = Readable bit                      W = Writable bit                      U = Unimplemented bit, read as '0'  
u = Bit is unchanged                  x = Bit is unknown                      -n = Value at POR  
'1' = Bit is set                          '0' = Bit is cleared

- bit 7-4            **WPUB<7:4>**: Weak Pull-up Register bit  
                    1 = Pull-up enabled  
                    0 = Pull-up disabled
- bit 3-2            **Unimplemented**: Read as '0'
- bit 1                **WPUB<1>**: Weak Pull-up Register bit  
                    1 = Pull-up enabled  
                    0 = Pull-up disabled
- bit 0                **Unimplemented**: Read as '0'

**Note 1:** The weak pull-up device is enabled only when the global  $\overline{\text{RAPU}}$  bit is enabled, the pin is in input mode (TRISGPA = 1) and the individual WPUB bit is enabled (WPUB = 1), and the pin is not configured as an analog input.

**2:** MCP19115 only.

## REGISTER 18-8: ANSELB: ANALOG SELECT GPB REGISTER

U-0	R/W-1	R/W-1	R/W-1	U-0	U-0	R/W-1	U-0
—	ANSB6 <sup>(1)</sup>	ANSB5 <sup>(1)</sup>	ANSB4 <sup>(1)</sup>	—	—	ANSB1	—
bit 7							bit 0

### Legend:

R = Readable bit	W = Writable bit	U = Unimplemented bit, read as '0'
u = Bit is unchanged	x = Bit is unknown	-n = Value at POR
'1' = Bit is set	'0' = Bit is cleared	

- bit 7      **Unimplemented:** Read as '0'
- bit 6-4    **ANSB<6:4>:** Analog Select GPB Register bit  
           1 = Analog input. Pin is assigned as analog input<sup>(1)</sup>.  
           0 = Digital I/O. Pin is assigned to port or special function.
- bit 3-2    **Unimplemented:** Read as '0'
- bit 1      **ANSB1:** Analog Select GPB Register bit  
           1 = Analog input. Pin is assigned as analog input<sup>(1)</sup>.  
           0 = Digital I/O. Pin is assigned to port or special function.
- bit 0      **Unimplemented:** Read as '0'

**Note 1:** MCP19115 only.

- 2:** Setting a pin to an analog input automatically disables the digital input circuitry, weak pull-ups and interrupt-on-change if available. The corresponding TRIS bit must be set to Input mode in order to allow external control of the voltage on the pin.

## TABLE 18-4: SUMMARY OF REGISTERS ASSOCIATED WITH PORTGPB

Name	Bit 7	Bit 6	Bit 5	Bit 4	Bit 3	Bit 2	Bit 1	Bit 0	Register on Page
ANSELB	—	ANSB6 <sup>(1)</sup>	ANSB5 <sup>(1)</sup>	ANSB4 <sup>(1)</sup>	—	—	ANSB1	—	119
OPTION_REG	RAPU	INTEDG	T0CS	T0SE	PSA	PS2	PS1	PS0	78
PORTGPB	GPB7 <sup>(1)</sup>	GPB6 <sup>(1)</sup>	GPB5 <sup>(1)</sup>	GPB4 <sup>(1)</sup>	—	—	GPB1	GPB0	117
TRISGPB	TRISB7 <sup>(1)</sup>	TRISB6 <sup>(1)</sup>	TRISB5 <sup>(1)</sup>	TRISB4 <sup>(1)</sup>	—	—	TRISB1	TRISB0	118
WPUGPB	WPUB7 <sup>(1)</sup>	WPUB6 <sup>(1)</sup>	WPUB5 <sup>(1)</sup>	WPUB4 <sup>(1)</sup>	—	—	WPUB1	—	118

**Legend:** — = unimplemented locations, read as '0'. Shaded cells are not used by the PORTGPB register.

**Note 1:** MCP19115 only.

# MCP19114/5

---

NOTES:

## 19.0 INTERRUPT-ON-CHANGE

Each PORTGPA and PORTGPB pin is individually configurable as an interrupt-on-change pin. Control bits IOCA and IOCB enable or disable the interrupt function for each pin. Refer to [Registers 19-1](#) and [19-2](#). The interrupt-on-change is disabled on a Power-On Reset.

The interrupt-on-change on GPA5 is disabled when configured as MCLR pin in the CONFIG register.

For enabled interrupt-on-change pins, the values are compared with the old value latched on the last read of PORTGPA or PORTGPB. The mismatched outputs of the last read of all the PORTGPA and PORTGPB pins are OR'ed together to set the Interrupt-on-Change Interrupt Flag (IOCF) bit in the INTCON register.

### 19.1 Enabling the Module

To allow individual port pins to generate an interrupt, the IOCE bit in the INTCON register must be set. If the IOCE bit is disabled, the edge detection on the pin will still occur, but an interrupt will not be generated.

### 19.2 Individual Pin Configuration

To enable a pin to detect an interrupt-on-change, the associated IOCAx or IOCBx bit in the IOCA or IOCB registers is set.

### 19.3 Clearing Interrupt Flags

The user, in the Interrupt Service Routine, clears the interrupt by:

- a) Any read of PORTGPA or PORTGPB AND Clear flag bit IOCF. This will end the mismatch condition.  
OR
- b) Any write of PORTGPA or PORTGPB AND Clear flag bit IOCF will end the mismatch condition.

A mismatch condition will continue to set flag bit IOCF. Reading PORTGPA or PORTGPB will end the mismatch condition and allow flag bit IOCF to be cleared. The latch holding the last read value is not affected by a MCLR Reset. After this Reset, the IOCF flag will continue to be set if a mismatch is present.

<p><b>Note:</b> If a change on the I/O pin should occur when any PORTGPA or PORTGPB operation is being executed, the IOCF interrupt flag may not get set.</p>
---

### 19.4 Operation in Sleep

The interrupt-on-change interrupt sequence will wake the device from Sleep mode, if the IOCE bit is set.

# MCP19114/5

## 19.5 Interrupt-On-Change Registers

### REGISTER 19-1: IOCA: INTERRUPT-ON-CHANGE PORTGPA REGISTER

R/W-0	R/W-0	R/W-0	U-0	R/W-0	R/W-0	R/W-0	R/W-0
IOCA7	IOCA6	IOCA5	—	IOCA3	IOCA2	IOCA1	IOCA0
bit 7							bit 0

**Legend:**

R = Readable bit	W = Writable bit	U = Unimplemented bit, read as '0'
u = Bit is unchanged	x = Bit is unknown	-n = Value at POR
'1' = Bit is set	'0' = Bit is cleared	

bit 7-6 **IOCA<7:6>**: Interrupt-on-Change PORTGPA register bits

- 1 = Interrupt-on-change enabled on the pin.
- 0 = Interrupt-on-change disabled on the pin.

bit 5 **IOCA<5>**: Interrupt-on-Change PORTGPA register bits<sup>(1)</sup>

- 1 = Interrupt-on-change enabled on the pin.
- 0 = Interrupt-on-change disabled on the pin.

bit 4 **Unimplemented**: Read as '0'

bit 3-0 **IOCA<3:0>**: Interrupt-on-Change PORTGPA register bits

- 1 = Interrupt-on-change enabled on the pin.
- 0 = Interrupt-on-change disabled on the pin.

**Note 1:** The Interrupt-on-Change on GPA5 is disabled if GPA5 is configured as  $\overline{\text{MCLR}}$ .

### REGISTER 19-2: IOCB: INTERRUPT-ON-CHANGE PORTGPB REGISTER

R/W-0	R/W-0	R/W-0	R/W-0	U-0	U-0	R/W-0	R/W-0
IOCB7 <sup>(1)</sup>	IOCB6 <sup>(1)</sup>	IOCB5 <sup>(1)</sup>	IOCB4 <sup>(1)</sup>	—	—	IOCB1	IOCB0
bit 7							bit 0

**Legend:**

R = Readable bit	W = Writable bit	U = Unimplemented bit, read as '0'
u = Bit is unchanged	x = Bit is unknown	-n = Value at POR
'1' = Bit is set	'0' = Bit is cleared	

bit 7-4 **IOCB<7:4>**: Interrupt-on-Change PORTGPB register bits

- 1 = Interrupt-on-change enabled on the pin.
- 0 = Interrupt-on-change disabled on the pin.

bit 3-2 **Unimplemented**: Read as '0'

bit 1-0 **IOCB<1:0>**: Interrupt-on-Change PORTGPB register bits

- 1 = Interrupt-on-change enabled on the pin.
- 0 = Interrupt-on-change disabled on the pin.

**Note 1:** MCP19115 only.

**TABLE 19-1: SUMMARY OF REGISTERS ASSOCIATED WITH INTERRUPT-ON-CHANGE**

Name	Bit 7	Bit 6	Bit 5	Bit 4	Bit 3	Bit 2	Bit 1	Bit 0	Register on Page
ANSELA	—	—	—	—	ANSA3	ANSA2	ANSA1	ANSA0	114
ANSELB	—	ANSB6 <sup>(1)</sup>	ANSB5 <sup>(1)</sup>	ANSB4 <sup>(1)</sup>	—	—	ANSB1	—	119
INTCON	GIE	PEIE	T0IE	INTE	IOCE	T0IF	INTF	IOCF	95
IOCA	IOCA7	IOCA6	IOCA5	—	IOCA3	IOCA2	IOCA1	IOCA0	122
IOCB	IOCB7 <sup>(1)</sup>	IOCB6 <sup>(1)</sup>	IOCB5 <sup>(1)</sup>	IOCB4 <sup>(1)</sup>	—	—	IOCB1	IOCB0	122
TRISGPA	TRISA7	TRISA6	TRISA5	—	TRISA3	TRISA2	TRISA1	TRISA0	113
TRISGPB	TRISB7 <sup>(1)</sup>	TRISB6 <sup>(1)</sup>	TRISB5 <sup>(1)</sup>	TRISB4 <sup>(1)</sup>	—	—	TRISB1	TRISB0	118

**Legend:** — = unimplemented locations, read as '0'. Shaded cells are not used by interrupt-on-change.

**Note 1:** MCP19115 only.

# MCP19114/5

---

NOTES:

## 20.0 INTERNAL TEMPERATURE INDICATOR MODULE

The MCP19114/5 are equipped with a temperature circuit designed to measure the operating temperature of the silicon die. The circuit's range of operating temperature falls between -40°C and +125°C. The output is a voltage that is proportional to the device temperature. The output of the temperature indicator is internally connected to the device ADC.

### 20.1 Circuit Operation

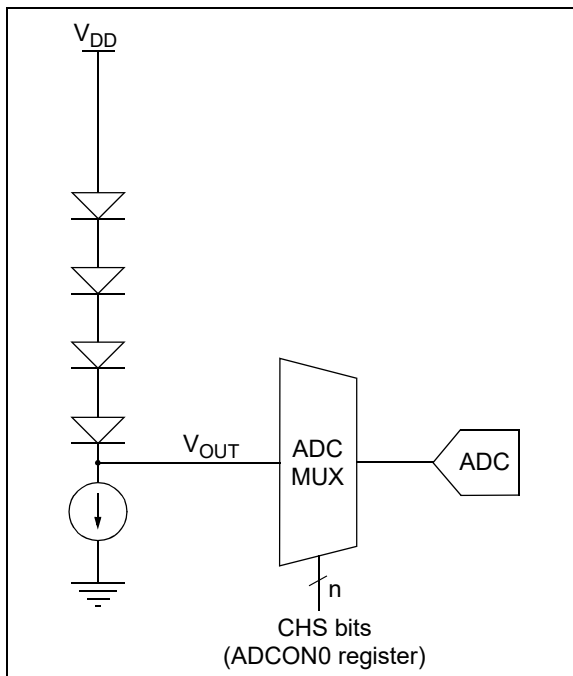
This internal temperature measurement circuit is always enabled.

### 20.2 Temperature Output

The output of the circuit is measured using the internal analog-to-digital converter. Channel 13 is reserved for the temperature circuit output. Refer to [Section 21.0 “Analog-to-Digital Converter \(ADC\) Module”](#) for detailed information.

The temperature of the silicon die can be calculated by the ADC measurement by using [Equation 20-1](#). A factory-stored 10-bit ADC value for 30°C is located at address 2084h. The temperature coefficient for this circuit is 14 mV/°C from -40°C to +125°C. Other temperature readings can be calculated from the 30°C mark.

**FIGURE 20-1: TEMPERATURE CIRCUIT DIAGRAM**



**EQUATION 20-1: SILICON DIE TEMPERATURE**

$$TEMP\_DIE(^{\circ}C) = \frac{(ADC\_READING (counts) - ADC\_30^{\circ}C\_READING (counts))}{3.5 (counts/^{\circ}C)} + 30^{\circ}C$$

# MCP19114/5

---

NOTES:

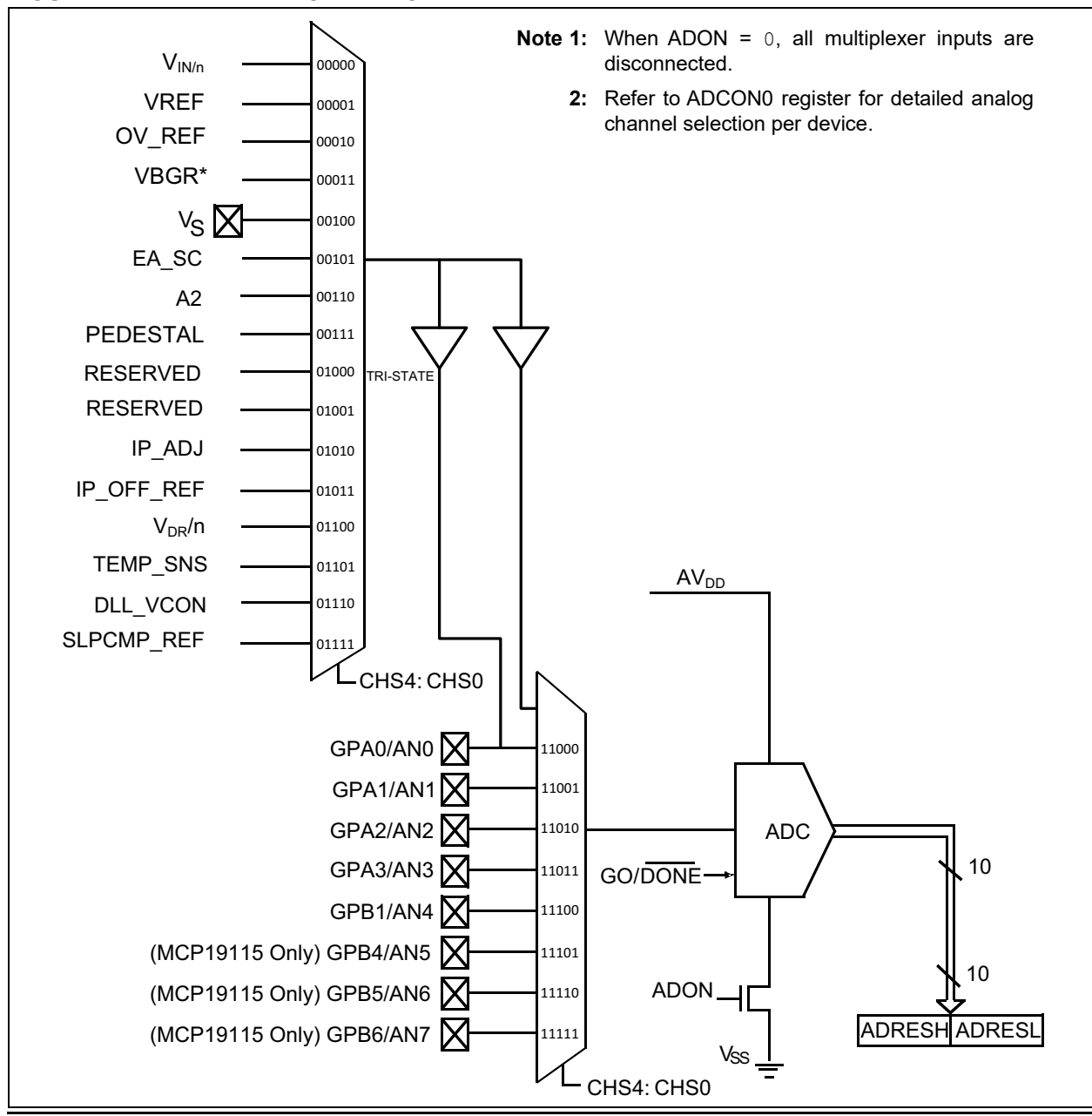
## 21.0 ANALOG-TO-DIGITAL CONVERTER (ADC) MODULE

The Analog-to-Digital Converter (ADC) allows conversion of an analog input signal to a 10-bit binary representation of that signal. This device uses analog inputs which are multiplexed into a single sample-and-hold circuit. The output of the sample-and-hold is connected to the input of the converter. The converter generates a 10-bit binary result via successive approximation and stores the right justified conversion result into the ADC result registers (ADRESH:ADRESL register pair). [Figure 21-1](#) shows the block diagram of the ADC.

The internal band gap supplies the voltage reference to the ADC.

**Note:** Once  $V_{IN}$  is greater than  $AV_{DD} + V_{DROPOUT}$ ,  $AV_{DD}$  is in regulation, allowing A/D readings to be accurate. Once  $V_{IN}$  is greater than  $V_{DD} + V_{DROPOUT}$ ,  $V_{DD}$  is in regulation, allowing accurate ratiometric measurements.

**FIGURE 21-1: ADC BLOCK DIAGRAM**



# MCP19114/5

## 21.1 ADC Configuration

When configuring and using the ADC, the following functions must be considered:

- Port configuration
- Channel selection
- ADC conversion clock source
- Interrupt control
- Result formatting

### 21.1.1 PORT CONFIGURATION

The ADC is used to convert analog signals into a corresponding digital representation. When converting analog signals, the I/O pin should be configured for analog by setting the associated TRIS and ANSEL bits. Refer to [Section 18.0 “I/O Ports”](#) for more information.

**Note:** Analog voltages on any pin that is defined as a digital input may cause the input buffer to conduct excess current.

### 21.1.2 CHANNEL SELECTION

There are up to 21 channel selections available for the MCP19114 and 24 channels for the MCP19115:

- AN<4:0> pins
- AN<7:5> pins (**MCP19115 Only**)
- $V_{IN}$ : 1/15.53 of the input voltage ( $V_{IN}$ )
- $V_{REF}$ : voltage reference for regulation set point
- OV\_REF: reference for OV comparator
- $V_{BGR}$ : band gap reference
- $V_S$ : voltage proportional to  $V_{OUT}$
- EA\_SC: error amplifier output after slope compensation
- A2: secondary current sense amplifier output
- PEDESTAL
- RESERVED
- RESERVED
- IP\_ADJ:  $I_P$  after pedestal and offset adjust
- IP\_OFF\_REF:  $I_P$  offset reference
- $V_{DR}$ :  $V_{DR} * 0.229V/V$
- TEMP\_SNS: analog voltage representing internal temperature (refer to [Equation 20-1](#))
- DLL\_VCON: delay locked loop voltage reference
- SLPCMP\_REF: slope compensation reference

The CHS<4:0> bits in the ADCON0 register determine which channel is connected to the sample and hold circuit.

When changing channels, a delay is required before starting the next conversion. Refer to [Section 21.2 “ADC Operation”](#) for more information.

### 21.1.3 ADC CONVERSION CLOCK

The source of the conversion clock is software selectable via the ADCS bits in the ADCON1 register. There are five possible clock options:

- $F_{OSC}/8$
- $F_{OSC}/16$
- $F_{OSC}/32$
- $F_{OSC}/64$
- $F_{RC}$  (clock derived from internal oscillator with a divisor of 16)

The time to complete one-bit conversion is defined as  $T_{AD}$ . One full 10-bit conversion requires 11  $T_{AD}$  periods, as shown in [Figure 21-2](#).

For a correct conversion, the appropriate  $T_{AD}$  specification must be met. Refer to the A/D conversion requirements in [Section 4.0 “Electrical Characteristics”](#) for more information. [Table 21-1](#) gives examples of appropriate ADC clock selections.

**Note:** Unless using the  $F_{RC}$ , any changes in the system clock frequency will change the ADC clock frequency, which may adversely affect the ADC result.

**TABLE 21-1: ADC CLOCK PERIOD ( $T_{AD}$ ) vs. DEVICE OPERATING FREQUENCIES**

ADC Clock Period ( $T_{AD}$ )		Device Frequency ( $F_{osc}$ )
ADC Clock Source	ADCS<2:0>	8 MHz
$F_{OSC}/8$	001	1.0 $\mu s$ <sup>(2)</sup>
$F_{OSC}/16$	101	2.0 $\mu s$
$F_{OSC}/32$	010	4.0 $\mu s$
$F_{OSC}/64$	110	8.0 $\mu s$ <sup>(3)</sup>
$F_{RC}$	x11	2.0-6.0 $\mu s$ <sup>(1, 4)</sup>

**Legend:** Shaded cells are outside of recommended range.

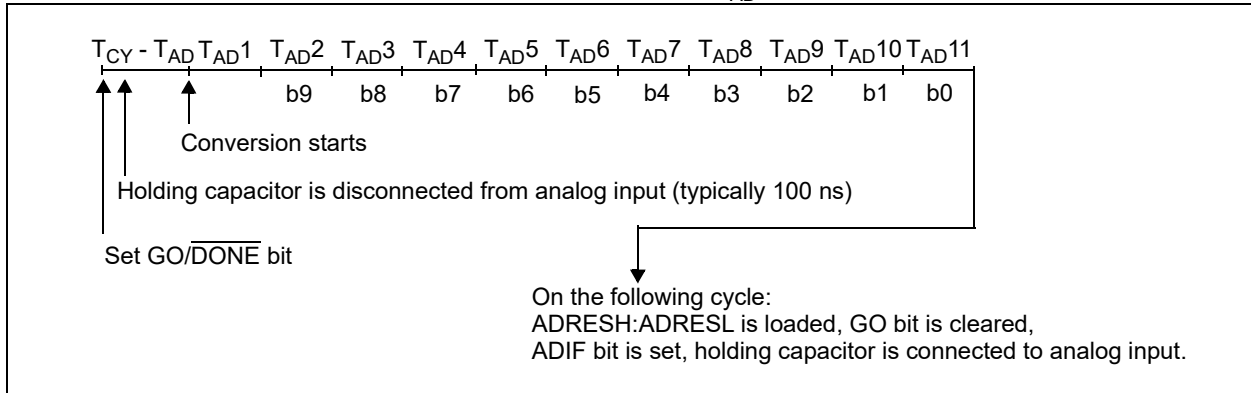
**Note 1:** The  $F_{RC}$  source has a typical  $T_{AD}$  time of 4  $\mu s$  for  $V_{DD} > 3.0V$ .

**2:** These values violate the minimum required  $T_{AD}$  time.

**3:** For faster conversion times, the selection of another clock source is recommended.

**4:** The  $F_{RC}$  clock source is only recommended if the conversion will be performed during Sleep.

**FIGURE 21-2: ANALOG-TO-DIGITAL CONVERSION  $T_{AD}$  CYCLES**



### 21.1.4 INTERRUPTS

The ADC module allows for the ability to generate an interrupt upon completion of an analog-to-digital conversion. The ADC Interrupt Flag is the ADIF bit in the PIR1 register. The ADC Interrupt Enable is the ADIE bit in the PIE1 register. The ADIF bit must be cleared in software.

**Note 1:** The ADIF bit is set at the completion of every conversion, regardless of whether or not the ADC interrupt is enabled.

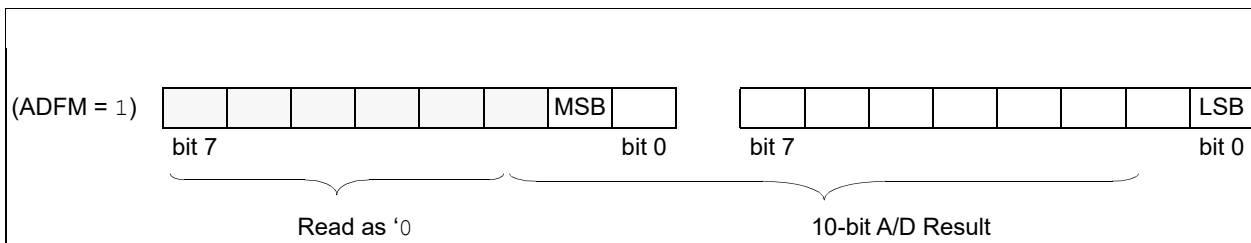
**2:** The ADC operates during Sleep only when the  $F_{RC}$  oscillator is selected.

This interrupt can be generated while the device is operating or while in Sleep. If the device is in Sleep, the interrupt will wake up the device. Upon waking from Sleep, the next instruction following the `SLEEP` instruction is always executed. If the user is attempting to wake up from Sleep and resume in-line code execution, the GIE and PEIE bits in the INTCON register must be disabled. If the GIE and PEIE bits in the INTCON register are enabled, execution will switch to the Interrupt Service Routine.

### 21.1.5 RESULT FORMATTING

The 10-bit A/D conversion result is supplied in right justified format only.

**FIGURE 21-3: 10-BIT A/D RESULT FORMAT**



## 21.2 ADC Operation

### 21.2.1 STARTING A CONVERSION

To enable the ADC module, the ADON bit in the ADCON0 register must be set to a '1'. Setting the GO/DONE bit in the ADCON0 register to a '1' will start the analog-to-digital conversion.

**Note:** The GO/DONE bit should not be set in the same instruction that turns on the ADC. Refer to [Section 21.2.5 “A/D Conversion Procedure”](#).

### 21.2.2 COMPLETION OF A CONVERSION

When the conversion is complete, the ADC module will:

- Clear the GO/DONE bit
- Set the ADIF Interrupt Flag bit
- Update the ADRESH:ADRESL registers with new conversion result

### 21.2.3 TERMINATING A CONVERSION

If a conversion must be terminated before completion, the GO/DONE bit can be cleared in software. The ADRESH:ADRESL registers will not be updated with the partially complete analog-to-digital conversion sample. Instead, the ADRESH:ADRESL register pair will retain the value of the previous conversion. Additionally, two ADC clock cycles are required before another acquisition can be initiated. Following the delay, an input acquisition is automatically started on the selected channel.

**Note:** A device reset forces all registers to their Reset state. Thus, the ADC module is turned off and any pending conversion is terminated.

### 21.2.4 ADC OPERATION DURING SLEEP

The ADC is not operational during Sleep mode. The AV<sub>DD</sub> 4V reference has been removed to minimize Sleep current.

### 21.2.5 A/D CONVERSION PROCEDURE

This is an example procedure for using the ADC to perform an analog-to-digital conversion:

1. Configure Port:
  - Disable pin output driver (refer to the TRISGPx registers)
  - Configure pin as analog (refer to the ANSELx registers)
2. Configure the ADC module:
  - Select ADC conversion clock
  - Select ADC input channel
  - Turn on ADC module
3. Configure ADC interrupt (optional):
  - Clear ADC interrupt flag
  - Enable ADC interrupt
  - Enable peripheral interrupt
  - Enable global interrupt<sup>(1)</sup>
4. Wait the required acquisition time<sup>(2)</sup>.
5. Start conversion by setting the GO/DONE bit.
6. Wait for ADC conversion to complete by one of the following:
  - Polling the GO/DONE bit
  - Waiting for the ADC interrupt (interrupts enabled)
7. Read ADC Result.
8. Clear the ADC interrupt flag (required if interrupt is enabled).

**Note 1:** The global interrupt can be disabled if the user is attempting to wake up from Sleep and resume in-line code execution.

**2:** Refer to [Section 21.4 “A/D Acquisition Requirements”](#).

#### EXAMPLE 21-1: A/D CONVERSION

```
;This code block configures the ADC
;for polling, Frc clock and AN0 input.
;
;Conversion start & polling for completion ;
are included.
;
BANKSELADCON1;
MOVLWB'01110000';Frc clock
MOVWFADCON1;
BANKSELTRISGPA;
BSF TRISGPA,0;Set GPA0 to input
BANKSELANSELA;
BSF ANSELA,0;Set GPA0 to analog
BANKSELADCON0;
MOVLWB'01100001';Select channel AN0
MOVWFADCON0;Turn ADC On
CALLSampleTime;Acquisiton delay
BSF ADCON0,1;Start conversion
BTFSCADCON0,1;Is conversion done?
GOTO$-1 ;No, test again
BANKSELADRESH;
MOVFADRESH,W;Read upper 2 bits
MOVWFRESULTHI;store in GPR space
BANKSELADRESL;
MOVFADRESL,W;Read lower 8 bits
MOVWFRESULTLO;Store in GPR space
```

## 21.3 ADC Register Definitions

The following registers are used to control the operation of the ADC:

### REGISTER 21-1: ADCON0: A/D CONTROL REGISTER 0

U-0	R/W-0	R/W-0	R/W-0	R/W-0	R/W-0	R/W-0	R/W-0
—	CHS4	CHS3	CHS2	CHS1	CHS0	GO/DONE	ADON
bit 7							bit 0

#### Legend:

R = Readable bit	W = Writable bit	U = Unimplemented bit, read as '0'
u = Bit is unchanged	x = Bit is unknown	-n = Value at POR
'1' = Bit is set	'0' = Bit is cleared	

bit 7 **Unimplemented:** Read as '0'

bit 6-2 **CHS<4:0>:** Analog Channel Select bits

- 00000 =  $V_{IN/n}$  analog voltage measurement ( $V_{IN/n} = V_{IN}/15.5$ )
- 00001 = VREF (DAC reference voltage setting current regulation level)
- 00010 = OV\_REF (reference for overvoltage comparator)
- 00011 = VBGR (band gap reference)
- 00100 =  $V_S$  (Voltage proportional to  $V_{OUT}$ )
- 00101 = EA\_SC (Error amp after Slope Compensation output)
- 00110 = A2 (Secondary Current Sense Amplifier output)
- 00111 = PEDESTAL (Pedestal Voltage)
- 01000 = RESERVED
- 01001 = RESERVED
- 01010 = IP\_ADJ (IP after Pedestal and Offset Adjust (at PWM Comparator))
- 01011 = IP\_OFF\_REF (IP Offset Reference)
- 01100 =  $V_{DR}/n$  ( $V_{DR}/n$  analog driver voltage measurement =  $0.229V/V * V_{DR}$ )
- 01101 = TEMP\_SNS (analog voltage representing internal temperature)
- 01110 = DLL\_VCON (Delay Locked-Loop Voltage Reference – Control voltage for dead time)
- 01111 = SLPCMP\_REF (Slope compensation reference)
- 10000 = Unimplemented
- 10001 = Unimplemented
- 10010 = Unimplemented
- 10011 = Unimplemented
- 10100 = Unimplemented
- 10101 = Unimplemented
- 10110 = Unimplemented
- 10111 = Unimplemented
- 11000 = GPA0/AN0 (i.e. ADDR1)
- 11001 = GPA1/AN1 (i.e. ADDR0)
- 11010 = GPA2/AN2 (i.e. Temperature Sensor Input)
- 11011 = GPA3/AN3 (i.e. BIN)
- 11100 = GPB1/AN4
- 11101 = GPB4/AN5 (MCP19115 only)
- 11110 = GPB5/AN6 (MCP19115 only)
- 11111 = GPB6/AN7 (MCP19115 only)

bit 1 **GO/DONE:** A/D Conversion Status bit

- 1 = A/D conversion cycle in progress. Setting this bit starts an A/D conversion cycle.  
This bit is automatically cleared by hardware when the A/D conversion has completed.
- 0 = A/D conversion completed/not in progress

bit 0 **ADON:** ADC Enable bit

- 1 = ADC is enabled
- 0 = ADC is disabled and consumes no operating current

# MCP19114/5

## REGISTER 21-2: ADCON1: A/D CONTROL REGISTER 1

U-0	R/W-0	R/W-0	R/W-0	U-0	U-0	U-0	U-0
—	ADCS2	ADCS1	ADCS0	—	—	—	—
bit 7							bit 0

### Legend:

R = Readable bit                      W = Writable bit                      U = Unimplemented bit, read as '0'  
u = Bit is unchanged                  x = Bit is unknown                  -n = Value at POR  
'1' = Bit is set                          '0' = Bit is cleared

bit 7                      **Unimplemented:** Read as '0'

bit 6-4                  **ADCS<2:0>:** A/D Conversion Clock Select bits  
000 =Reserved  
001 =F<sub>OSC</sub>/8  
010 =F<sub>OSC</sub>/32  
x11 =F<sub>RC</sub> (clock derived from internal oscillator with a divisor of 16)  
100 =Reserved  
101 =F<sub>OSC</sub>/16  
110 =F<sub>OSC</sub>/64

bit 3-0                  **Unimplemented:** Read as '0'

## REGISTER 21-3: ADRESH: ADC RESULT REGISTER HIGH

U-0	U-0	U-0	U-0	U-0	U-0	R-x	R-x
—	—	—	—	—	—	ADRES9	ADRES8
bit 7							bit 0

### Legend:

R = Readable bit                      W = Writable bit                      U = Unimplemented bit, read as '0'  
u = Bit is unchanged                  x = Bit is unknown                  -n = Value at POR  
'1' = Bit is set                          '0' = Bit is cleared

bit 7-2                  **Unimplemented:** Read as '0'

bit 1-0                  **ADRES<9:8>:** Most Significant A/D Results

## REGISTER 21-4: ADRESL: ADC RESULT REGISTER LOW

R-x	R-x	R-x	R-x	R-x	R-x	R-x	R-x
ADRES7	ADRES6	ADRES5	ADRES4	ADRES3	ADRES2	ADRES1	ADRES0
bit 7							bit 0

### Legend:

R = Readable bit                      W = Writable bit                      U = Unimplemented bit, read as '0'  
u = Bit is unchanged                  x = Bit is unknown                  -n = Value at POR  
'1' = Bit is set                          '0' = Bit is cleared

bit 7-0                  **ADRES<7:0>:** Least Significant A/D results

## 21.4 A/D Acquisition Requirements

For the ADC to meet its specified accuracy, the charge holding capacitor ( $C_{HOLD}$ ) must be allowed to fully charge to the input channel voltage level. The Analog Input model is shown in [Figure 21-4](#). The source impedance ( $R_S$ ) and the internal sampling switch ( $R_{SS}$ ) impedance directly affect the time required to charge the capacitor  $C_{HOLD}$ . The sampling switch ( $R_{SS}$ ) impedance varies over the device voltage ( $V_{DD}$ ), refer to [Figure 21-4](#). **The maximum recommended impedance for analog sources is 10 k $\Omega$ .**

As the source impedance is decreased, the acquisition time may be decreased. After the analog input channel is selected (or changed), an A/D acquisition must be done before the conversion can be started. To calculate the minimum acquisition time, [Equation 21-1](#) may be used. This equation assumes that 1/2 LSB error is used (1,024 steps for the ADC). The 1/2 LSB error is the maximum error allowed for the ADC to meet its specified resolution.

### EQUATION 21-1: ACQUISITION TIME EXAMPLE

*Assumptions: Temperature = +50°C and external impedance of 10 k $\Omega$  5.0V  $V_{DD}$*

$$\begin{aligned} T_{ACQ} &= \text{Amplifier Settling Time} + \text{Hold Capacitor Charging Time} + \text{Temperature Coefficient} \\ &= T_{AMP} + T_C + T_{COFF} \\ &= 2 \mu\text{s} + T_C + [(Temperature - 25^\circ\text{C})(0.05 \mu\text{s}/^\circ\text{C})] \end{aligned}$$

The value for  $T_C$  can be approximated with the following equations:

$$V_{APPLIED} \left( 1 - \frac{1}{(2^n + 1) - 1} \right) = V_{CHOLD} \quad ;[1] V_{CHOLD} \text{ charged to within } 1/2 \text{ lsb}$$

$$V_{APPLIED} \left( 1 - e^{-\frac{T_C}{RC}} \right) = V_{CHOLD} \quad ;[2] V_{CHOLD} \text{ charge response to } V_{APPLIED}$$

$$V_{APPLIED} \left( 1 - e^{-\frac{T_C}{RC}} \right) = V_{APPLIED} \left( 1 - \frac{1}{(2^n + 1) - 1} \right) \quad ;\text{combining [1] and [2]}$$

**Note:** Where  $n$  = number of bits of the ADC.

Solving for  $T_C$ :

$$\begin{aligned} T_C &= -C_{HOLD}(R_{IC} + R_{SS} + R_S) \ln(1/2047) \\ &= -10 \text{ pF}(1 \text{ k}\Omega + 7 \text{ k}\Omega + 10 \text{ k}\Omega) \ln(0.0004885) \\ &= 1.37 \mu\text{s} \end{aligned}$$

Therefore:

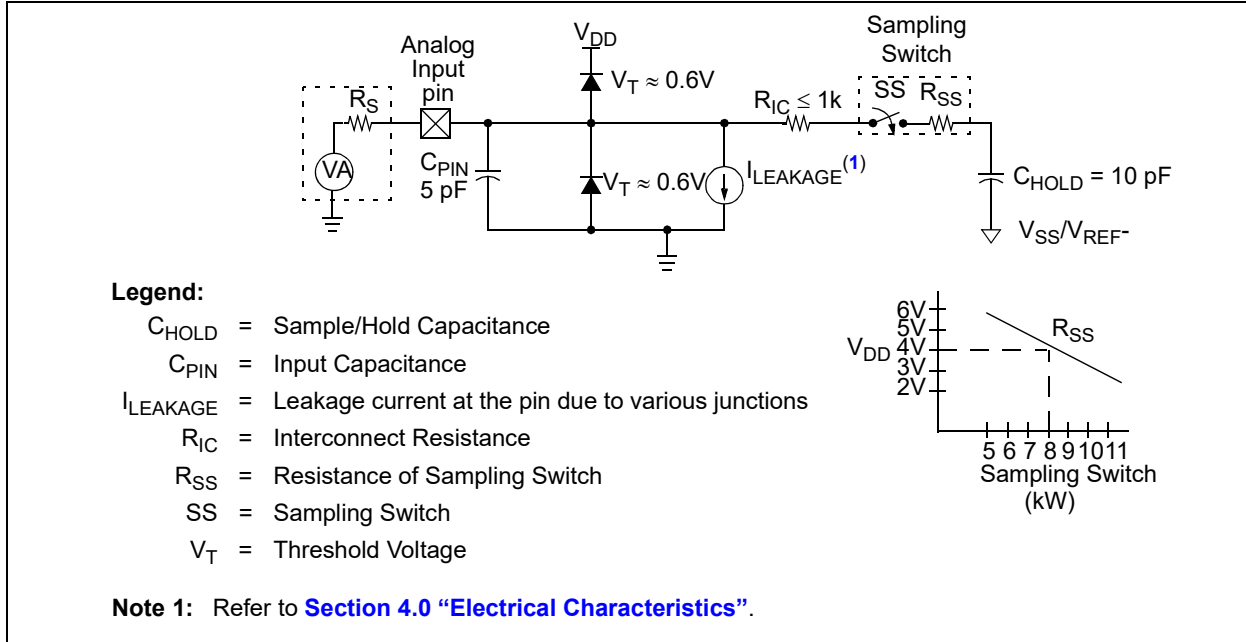
$$\begin{aligned} T_{ACQ} &= 2 \mu\text{s} + 1.37 \mu\text{s} + [(50^\circ\text{C} - 25^\circ\text{C})(0.05 \mu\text{s}/^\circ\text{C})] \\ &= 4.67 \mu\text{s} \end{aligned}$$

**Note 1:** The charge holding capacitor ( $C_{HOLD}$ ) is not discharged after each conversion.

**2:** The maximum recommended impedance for analog sources is 10 k $\Omega$ . This is required to meet the pin leakage specification.

# MCP19114/5

**FIGURE 21-4: ANALOG INPUT MODEL**



**FIGURE 21-5: ADC TRANSFER FUNCTION**

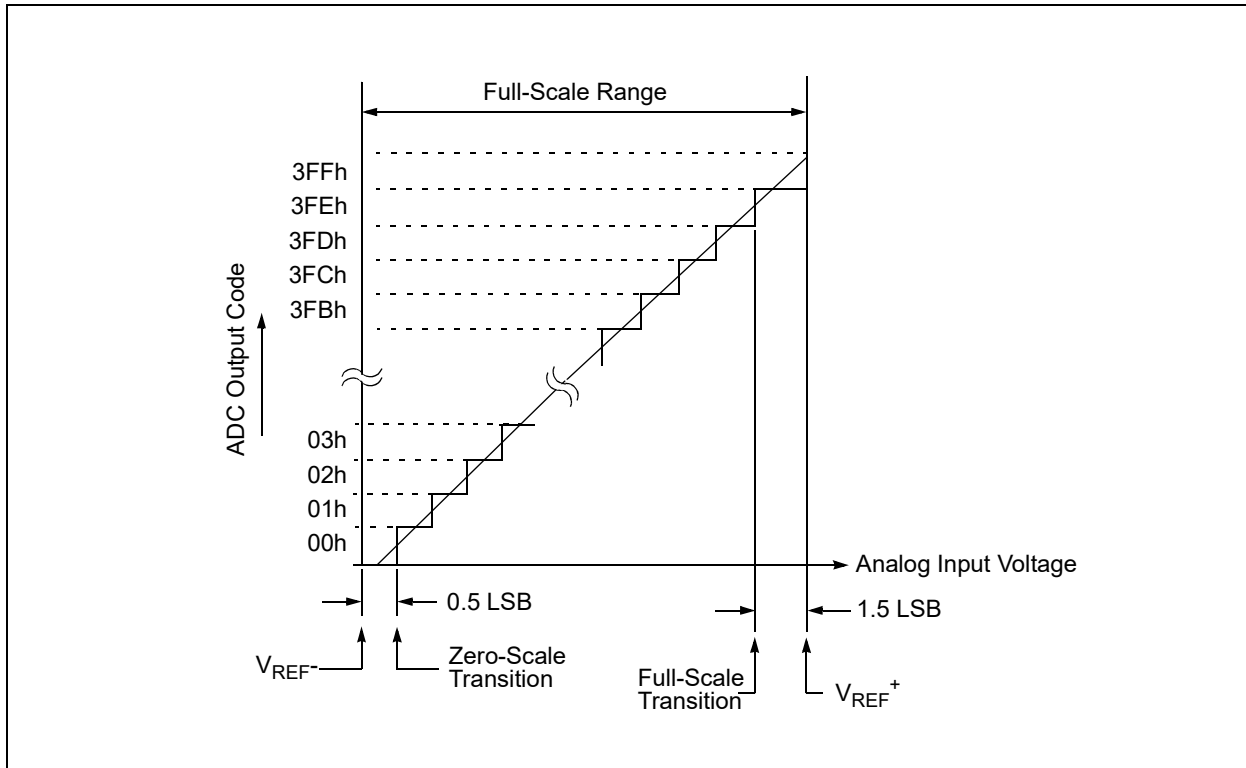


TABLE 21-2: SUMMARY OF REGISTERS ASSOCIATED WITH ADC

Name	Bit 7	Bit 6	Bit 5	Bit 4	Bit 3	Bit 2	Bit 1	Bit 0	Register on Page
ADCON0	—	CHS4	CHS3	CHS2	CHS1	CHS0	GO/DONE	ADON	131
ADCON1	—	ADCS2	ADCS1	ADCS0	—	—	—	—	132
ADRESH	—	—	—	—	—	—	ADRES9	ADRES8	132
ADRESL	ADRES7	ADRES6	ADRES5	ADRES4	ADRES3	ADRES2	ADRES1	ADRES0	132
ANSELA	—	—	—	—	ANSA3	ANSA2	ANSA1	ANSA0	114
ANSELB	—	ANSB6	ANSB5	ANSB4	—	—	ANSB1	—	119
INTCON	GIE	PEIE	T0IE	INTE	IOCE	T0IF	INTF	IOCF	95
PIE1	—	ADIE	BCLIE	SSPIE	CC2IE	CC1IE	TMR2IE	TMR1IE	96
PIR1	—	ADIF	BCLIF	SSPIF	CC2IF	CC1IF	TMR2IF	TMR1IF	98
TRISGPA	TRISA7	TRISA6	TRISA5	—	TRISA3	TRISA2	TRISA1	TRISA0	113
TRISGPB	TRISB7	TRISB6	TRISB5	TRISB4	—	—	TRISB1	TRISB0	118

**Legend:** — = unimplemented, read as '0'. Shaded cells are not used for ADC module.

# MCP19114/5

---

NOTES:

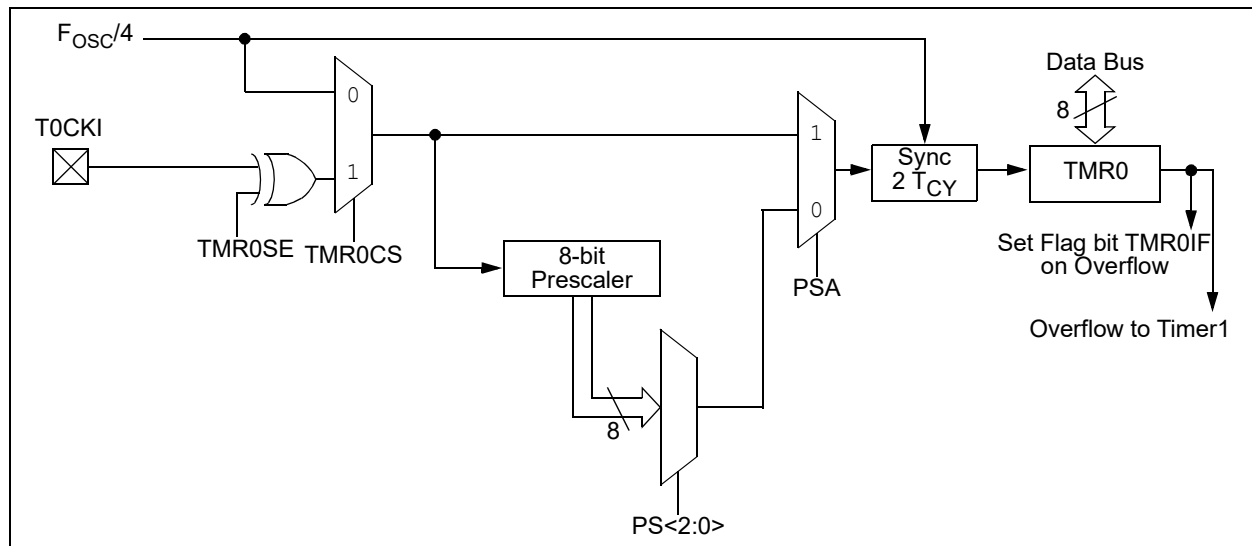
## 22.0 TIMER0 MODULE

The Timer0 module is an 8-bit timer/counter with the following features:

- 8-bit timer/counter register (TMR0)
- 8-bit prescaler
- Programmable internal or external clock source
- Programmable external clock edge selection
- Interrupt on overflow

Figure 22-1 is a block diagram of the Timer0 module.

**FIGURE 22-1: TIMER0 BLOCK DIAGRAM**



### 22.1 Timer0 Operation

The Timer0 module can be used as either an 8-bit timer or an 8-bit counter.

#### 22.1.1 8-BIT TIMER MODE

The Timer0 module will increment every instruction cycle, if used without a prescaler. 8-Bit Timer mode is selected by clearing the T0CS bit in the OPTION\_REG register.

When TMR0 is written, the increment is inhibited for two instruction cycles immediately following the write.

**Note:** The value written to the TMR0 register can be adjusted, in order to account for the two instruction cycle delay when TMR0 is written.

#### 22.1.2 8-BIT COUNTER MODE

In 8-Bit Counter mode, the Timer0 module will increment on every rising or falling edge of the T0CKI pin. The incrementing edge is determined by the T0SE bit in the OPTION\_REG register.

8-Bit Counter mode using the T0CKI pin is selected by setting the T0CS bit in the OPTION\_REG register to '1'.

### 22.1.3 SOFTWARE PROGRAMMABLE PRESCALER

A single software programmable prescaler is available for use with either Timer0 or the Watchdog Timer (WDT), but not both simultaneously. The prescaler assignment is controlled by the PSA bit in the OPTION\_REG register. To assign the prescaler to Timer0, the PSA bit must be cleared to '0'.

There are eight prescaler options for the Timer0 module ranging from 1:2 to 1:256. The prescale values are selectable via the PS<2:0> bits in the OPTION\_REG register. In order to have a 1:1 prescaler value for the Timer0 module, the prescaler must be disabled by setting the PSA bit in the OPTION\_REG register.

The prescaler is not readable or writable. When assigned to the Timer0 module, all instructions writing to the TMR0 register will clear the prescaler.

# MCP19114/5

## 22.1.4 SWITCHING PRESCALER BETWEEN TIMER0 AND WDT MODULES

As a result of having the prescaler assigned to either Timer0 or the WDT, it is possible to generate an unintended device reset when switching prescaler values. When changing the prescaler assignment from Timer0 to the WDT module, the instruction sequence shown in [Example 22-1](#) must be executed.

### EXAMPLE 22-1: CHANGING PRESCALER (TIMER0 → WDT)

```
BANKSEL TMR0;
CLRWDWDT ;Clear WDT
CLRFTMR0;Clear TMR0 and
;prescaler
BANKSELOPTION_REG;
BSF OPTION_REG,PSA;Select WDT
CLRWDWDT ;
;
MOVLWb'11111000';Mask prescaler
ANDWFOPTION_REG,W;bits
IORLWb'00000101';Set WDT prescaler
MOVWFOPTION_REG;to 1:32
```

When changing the prescaler assignment from the WDT to the Timer0 module, the following instruction sequence must be executed (refer to [Example 22-2](#)).

### EXAMPLE 22-2: CHANGING PRESCALER (WDT → TIMER0)

```
CLRWDWDT ;Clear WDT and
;prescaler
BANKSELOPTION_REG;
MOVLWb'11110000';Mask TMR0 select and
ANDWFOPTION_REG,W;prescaler bits
IORLWb'00000011';Set prescale to 1:16
MOVWFOPTION_REG;
```

## 22.1.5 TIMER0 INTERRUPT

Timer0 will generate an interrupt when the TMR0 register overflows from FFh to 00h. The TOIF interrupt flag bit in the INTCON register is set every time the TMR0 register overflows, regardless of whether or not the Timer0 interrupt is enabled. The TOIF bit can only be cleared in software. The Timer0 interrupt enable is the TOIE bit in the INTCON register.

**Note:** The Timer0 interrupt cannot wake the processor from Sleep since the timer is frozen during Sleep.

## 22.1.6 USING TIMER0 WITH AN EXTERNAL CLOCK

When Timer0 is in Counter mode, the synchronization of the T0CKI input and the Timer0 register is accomplished by sampling the prescaler output on the Q2 and Q4 cycles of the internal phase clocks. Therefore, the high and low periods of the external clock source must meet the timing requirements as shown in [Section 4.0 “Electrical Characteristics”](#).

## 22.1.7 OPERATION DURING SLEEP

Timer0 cannot operate while the processor is in Sleep mode. The contents of the TMR0 register will remain unchanged while the processor is in Sleep mode.

**TABLE 22-1: SUMMARY OF REGISTERS ASSOCIATED WITH TIMER0**

Name	Bit 7	Bit 6	Bit 5	Bit 4	Bit 3	Bit 2	Bit 1	Bit 0	Register on Page
INTCON	GIE	PEIE	TOIE	INTE	IOCFIE	TOIF	INTF	IOCF	95
OPTION_REG	RAPU	INTEDG	T0CS	T0SE	PSA	PS2	PS1	PS0	78
TMR0	Timer0 Module Register								137*
TRISGPA	TRISA7	TRISA6	TRISA5	TRISA4	TRISA3	TRISA2	TRISA1	TRISA0	113

**Legend:** — = Unimplemented locations, read as '0'. Shaded cells are not used by the Timer0 module.

\* Page provides register information.

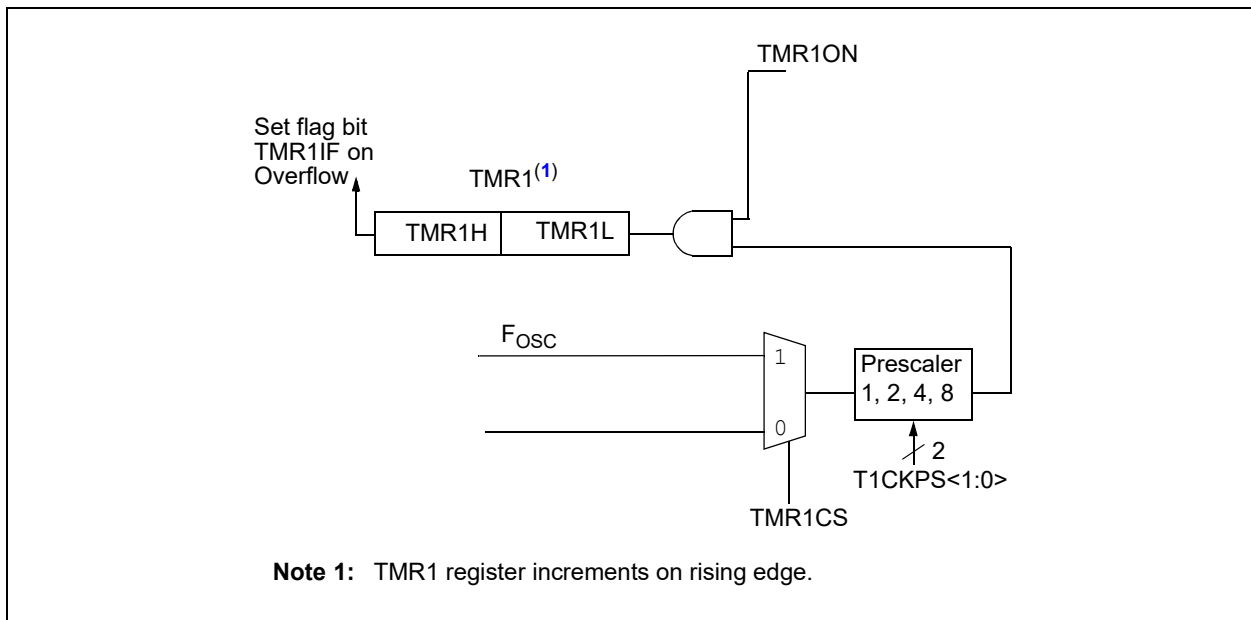
## 23.0 TIMER1 MODULE WITH GATE CONTROL

The Timer1 module is a 16-bit timer with the following features:

- 16-bit timer register pair (TMR1H:TMR1L)
- Readable and Writable (both registers)
- Selectable internal clock source
- 2-bit prescaler
- Interrupt on overflow

Figure 23-1 is a block diagram of the Timer1 module.

**FIGURE 23-1: TIMER1 BLOCK DIAGRAM**



### 23.1 Timer1 Operation

The Timer1 module is a 16-bit incrementing timer which is accessed through the TMR1H:TMR1L register pair. Writes to TMR1H or TMR1L directly update the counter. The timer is incremented on every instruction cycle.

Timer1 is enabled by configuring the TMR1ON bit in the T1CON register. Table 23-1 displays the Timer1 enable selections.

### 23.2 Clock Source Selection

The TMR1CS bit in the T1CON register is used to select the clock source for Timer1. Table 23-1 displays the clock source selections.

### 23.2.1 INTERNAL CLOCK SOURCE

The TMR1H:TMR1L register pair will increment on multiples of  $F_{OSC}$  or  $F_{OSC}/4$  as determined by the Timer1 prescaler.

As an example, when the  $F_{OSC}$  internal clock source is selected, the Timer1 register value will increment by four counts every instruction clock cycle.

**TABLE 23-1: CLOCK SOURCE SELECTIONS**

TMR1CS	Clock Source
1	8 MHz system clock ( $F_{OSC}$ )
0	2 MHz instruction clock ( $F_{OSC}/4$ )

# MCP19114/5

## 23.3 Timer1 Prescaler

Timer1 has four prescaler options, allowing 1, 2, 4 or 8 divisions of the clock input. The T1CKPS bits in the T1CON register control the prescale counter. The prescale counter is not directly readable or writable; however, the prescaler counter is cleared upon a write to TMR1H or TMR1L.

## 23.4 Timer1 Interrupt

The Timer1 register pair (TMR1H:TMR1L) increments to FFFFh and rolls over to 0000h. When Timer1 rolls over, the Timer1 interrupt flag bit in the PIR1 register is set. To enable the interrupt on rollover, you must set these bits:

- TMR1ON bit in the T1CON register
- TMR1IE bit in the PIE1 register
- PEIE bit in the INTCN register
- GIE bit in the INTCN register

The interrupt is cleared by clearing the TMR1IF bit in the Interrupt Service Routine.

**Note:** The TMR1H:TMR1L register pair and the TMR1IF bit should be cleared before enabling interrupts.

## 23.5 Timer1 in Sleep

Unlike other standard mid-range Timer1 modules, the MCP19114/5 Timer1 module only clocks from an internal system clock, and thus cannot run during Sleep mode, nor can it be used to wake the device from this mode.

## 23.6 Timer1 Control Register

The Timer1 Control (T1CON) register, shown in [Register 23-1](#), is used to control Timer1 and select the various features of the Timer1 module.

**REGISTER 23-1: T1CON: TIMER1 CONTROL REGISTER**

U-0	U-0	R/W-0	R/W-0	U-0	U-0	R/W-0/	R/W-0
—	—	T1CKPS1	T1CKPS0	—	—	TMR1CS	TMR1ON
bit 7							bit 0

**Legend:**

R = Readable bit                      W = Writable bit                      U = Unimplemented bit, read as '0'  
u = Bit is unchanged                      x = Bit is unknown                      -n = Value at POR  
'1' = Bit is set                              '0' = Bit is cleared

- bit 7-6                      **Unimplemented:** Read as '0'
- bit 5-4                      **T1CKPS<1:0>:** Timer1 Input Clock Prescale Select bits  
11 =1:8 Prescale value  
10 =1:4 Prescale value  
01 =1:2 Prescale value  
00 =1:1 Prescale value
- bit 3-2                      **Unimplemented:** Read as '0'
- bit 1                        **TMR1CS:** Timer1 Clock Source Control bit  
1 = 8 MHz system clock (F<sub>OSC</sub>)  
0 = 2 MHz instruction clock (F<sub>OSC</sub>/4)
- bit 0                        **TMR1ON:** Timer1 On bit  
1 = Enables Timer1  
0 = Stops Timer1, Clears Timer1 gate flip-flop

**TABLE 23-2: SUMMARY OF REGISTERS ASSOCIATED WITH TIMER1**

Name	Bit 7	Bit 6	Bit 5	Bit 4	Bit 3	Bit 2	Bit 1	Bit 0	Register on Page
INTCON	GIE	PEIE	T0IE	INTE	IOCE	T0IF	INTF	IOCF	<a href="#">95</a>
PIE1	—	ADIE	BCLIE	SSPIE	CC2IE	CC1IE	TMR2IE	TMR1IE	<a href="#">96</a>
PIR1	—	ADIF	BCLIF	SSPIF	CC2IF	CC1IF	TMR2IF	TMR1IF	<a href="#">98</a>
TMR1H	Holding Register for the Most Significant Byte of the 16-bit TMR1 Register								<a href="#">139*</a>
TMR1L	Holding Register for the Least Significant Byte of the 16-bit TMR1 Register								<a href="#">139*</a>
T1CON	—	—	T1CKPS1	T1CKPS0	—	—	TMR1CS	TMR1ON	<a href="#">140</a>

**Legend:** — = unimplemented, read as '0'. Shaded cells are not used by the Timer1 module.

\* Page provides register information.

# MCP19114/5

---

NOTES:

## 24.0 TIMER2 MODULE

The Timer2 module is an 8-bit timer with the following features:

- 8-bit timer register (TMR2)
- 8-bit period register (PR2)
- Interrupt on TMR2 match with PR2
- Software programmable prescaler (1:1, 1:4, 1:16)

Refer to [Figure 24-1](#) for a block diagram of Timer2.

### 24.1 Timer2 Operation

The clock input to the Timer2 module is the system clock ( $F_{OSC}$ ). The clock is fed into the Timer2 prescaler, which has prescale options of 1:1, 1:4 or 1:16. The output of the prescaler is then used to increment the TMR2 register.

The values of TMR2 and PR2 are constantly compared to determine when they match. TMR2 will increment from 00h until it matches the value in PR2. When a match occurs, TMR2 is reset to 00h on the next increment cycle.

The match output of the Timer2/PR2 comparator is used to set the TMR2IF interrupt flag bit in the PIR1 register.

The TMR2 and PR2 registers are both fully readable and writable. On any Reset, the TMR2 register is set to 00h and the PR2 register is set to FFh.

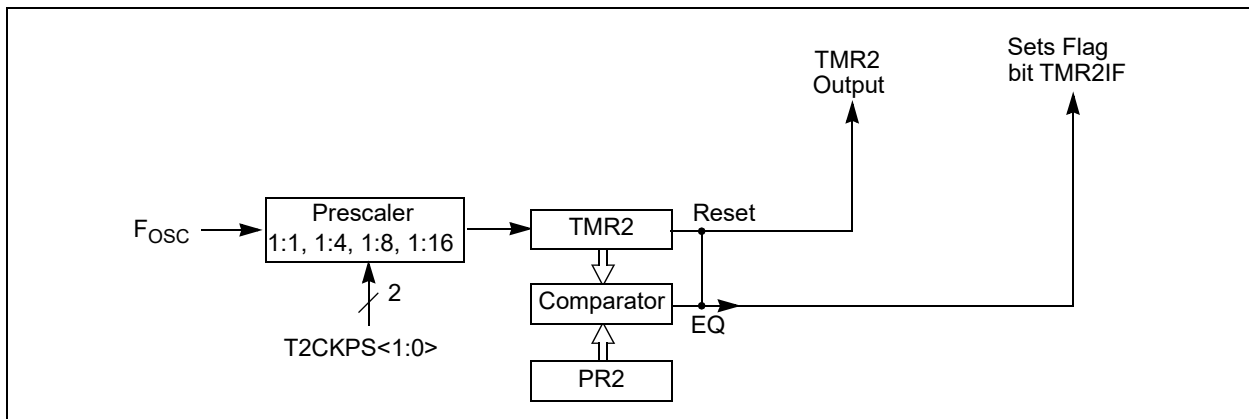
Timer2 is turned on by setting the TMR2ON bit in the T2CON register to a '1'. Timer2 is turned off by clearing the TMR2ON bit to a '0'.

The Timer2 prescaler is controlled by the T2CKPS bits in the T2CON register. The prescaler counter are cleared when:

- A write to TMR2 occurs.
- A write to T2CON occurs.
- Any device reset occurs (Power-On Reset,  $\overline{MCLR}$  Reset, Watchdog Timer Reset or Brown-Out Reset).

**Note:** TMR2 is not cleared when T2CON is written.

**FIGURE 24-1: TIMER2 BLOCK DIAGRAM**



# MCP19114/5

## 24.2 Timer2 Control Register

REGISTER 24-1: T2CON: TIMER2 CONTROL REGISTER

U-0	U-0	U-0	U-0	U-0	R/W-0	R/W-0	R/W-0
—	—	—	—	—	TMR2ON	T2CKPS1	T2CKPS0
bit 7							bit 0

**Legend:**

R = Readable bit                      W = Writable bit                      U = Unimplemented bit, read as '0'  
u = Bit is unchanged                      x = Bit is unknown                      -n = Value at POR  
'1' = Bit is set                              '0' = Bit is cleared

bit 7-3                      **Unimplemented:** Read as '0'  
bit 2                      **TMR2ON:** Timer2 On bit  
                                    1 = Timer2 is on  
                                    0 = Timer2 is off  
bit 1-0                      **T2CKPS<1:0>:** Timer2 Clock Prescale Select bits  
                                    00 =Prescaler is 1  
                                    01 =Prescaler is 4  
                                    10 =Prescaler is 8  
                                    11 =Prescaler is 16

TABLE 24-1: SUMMARY OF REGISTERS ASSOCIATED WITH TIMER2

Name	Bit 7	Bit 6	Bit 5	Bit 4	Bit 3	Bit 2	Bit 1	Bit 0	Register on Page
INTCON	GIE	PEIE	T0IE	INTE	IOCE	T0IF	INTF	IOCF	95
PIE1	—	ADIE	BCLIE	SSPIE	CC2IE	CC1IE	TMR2IE	TMR1IE	96
PIR1	—	ADIF	BCLIF	SSPIF	CC2IF	CC1IF	TMR2IF	TMR1IF	98
PR2	Timer2 Module Period Register								143*
T2CON	—	—	—	—	—	TMR2ON	T2CKPS1	T2CKPS0	144
TMR2	Holding Register for the 8-bit TMR2 Time Base								143*

**Legend:** — = unimplemented, read as '0'. Shaded cells are not used for Timer2 module.

\* Page provides register information.

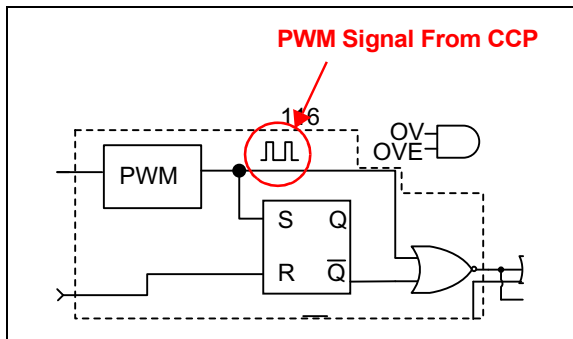
## 25.0 ENHANCED PWM MODULE

The PWM module implemented on the MCP19114/5 is a scaled-down version of the Capture/Compare/PWM (CCP) module found in standard mid-range microcontrollers. The module only features the PWM module, which is slightly modified from standard mid-range microcontrollers. In the MCP19114/5, the PWM module is used to generate the system clock or system oscillator. This system clock can control the MCP19114/5 switching frequency, as well as set the maximum allowable duty cycle. The PWM module does not continuously adjust the duty cycle to control the output voltage. This is accomplished by the analog control loop and associated circuitry.

### 25.1 Standard Pulse-Width Modulation Mode

The CCP will only function in PWM mode. The PWM signal is used to set the operating frequency and maximum allowable duty cycle of the MCP19114/5. [Figure 25-1](#) is a snippet of the MCP19114/5 block diagram showing the PWM signal from the CCP module.

**FIGURE 25-1: MCP19114/5 SNIPPET SHOWING SYSTEM CLOCK FROM PWM MODULE**



There are two modes of operation that concern the system clock PWM signal. These modes are Stand-Alone (nonfrequency synchronization) and Frequency Synchronization.

### EQUATION 25-2: SECONDARY PHASE SHIFT

$$SECONDARY_{PHASESHIFT} = PWMPHL \times T_{OSC} \times (T2_{PRESCALE\ VALUE})$$

### 25.1.1 STAND-ALONE (NONFREQUENCY SYNCHRONIZATION) MODE

When the MCP19114/5 is running stand-alone, the PWM signal functions as the system clock. It is operating at the programmed switching frequency with a programmed maximum duty cycle ( $D_{CLOCK}$ ). The programmed maximum duty cycle is not adjusted on a cycle-by-cycle basis to control the MCP19114/5 system output. The required duty cycle ( $D_{PDRVON}$ ) to control the output is adjusted by the MCP19114/5 analog control loop and associated circuitry.  $D_{CLOCK}$  does however set the maximum allowable  $D_{PDRVON}$ .

#### EQUATION 25-1:

$$D_{PDRVON} < 1 - D_{CLOCK}$$

### 25.1.2 SWITCHING FREQUENCY SYNCHRONIZATION MODE

The MCP19114/5 can be programmed to be switching frequency MAIN or SECONDARY devices. The MAIN device functions as described in [Section 25.1.1 “Stand-Alone \(NonFrequency Synchronization\) Mode”](#) with the exception of the system clock also being applied to GPA1.

A SECONDARY device will receive the MAIN system clock on GPA1. This MAIN system clock will be OR'ed with the output of the TIMER2 module. This OR'ed signal will latch PWMRL into PWMRH and PWMPHL into PWMPHH.

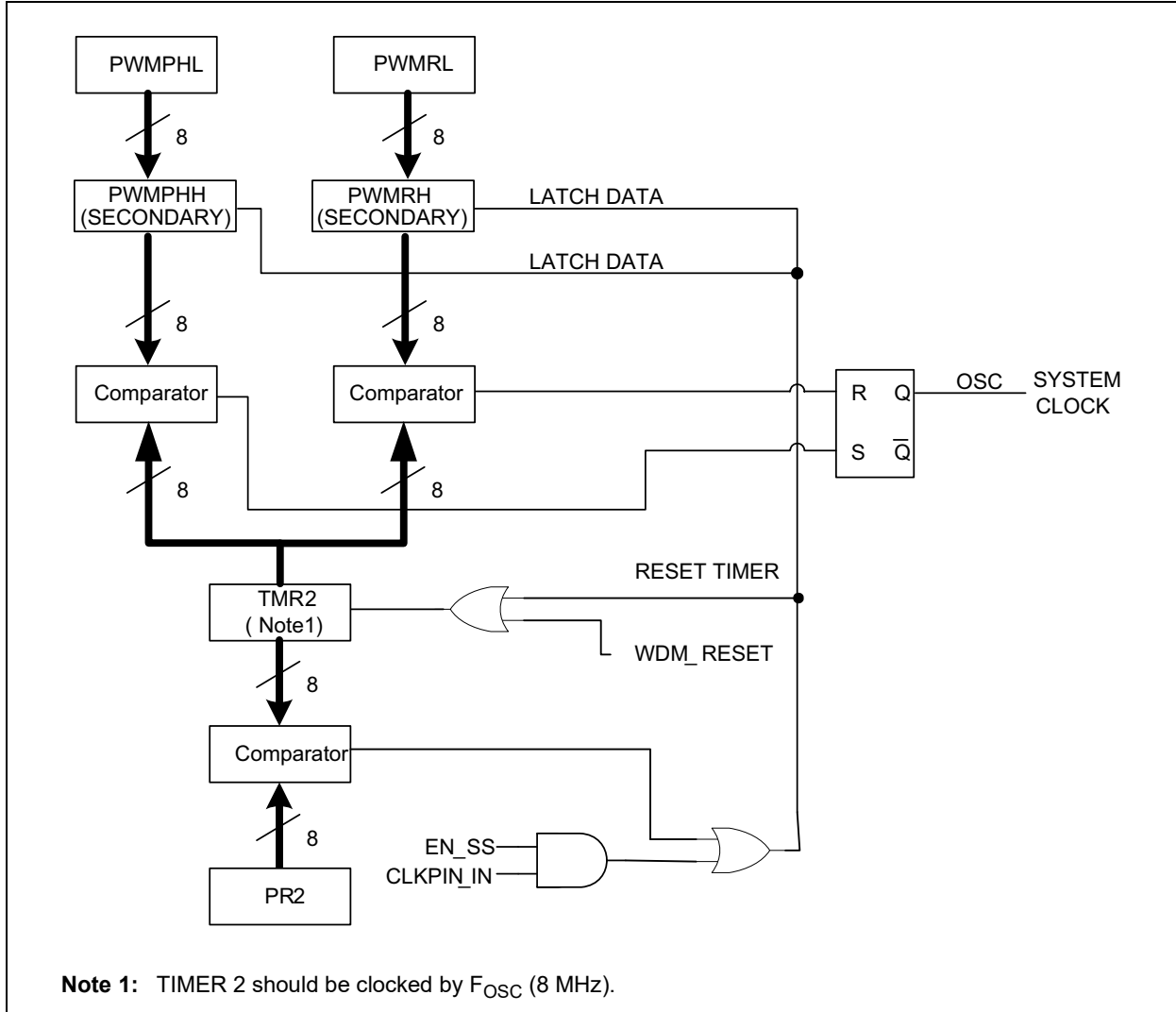
[Figure 25-1](#) shows a simplified block diagram of the CCP module in PWM mode.

The PWMPHL register allows for a phase shift to be added to the SECONDARY system clock.

It is desired to have the MCP19114/5 SECONDARY device's system clock start point shifted by a programmed amount from the MAIN system clock. This SECONDARY phase shift is specified by writing to the PWMPHL register. The SECONDARY phase shift can be calculated by using the following equation.

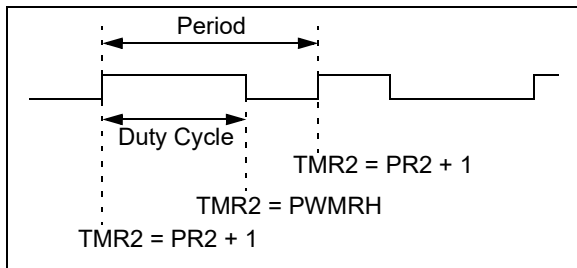
# MCP19114/5

**FIGURE 25-1: SIMPLIFIED PWM BLOCK DIAGRAM**



A PWM output (Figure 25-3) has a time base (period) and a time that the output stays high (duty cycle). The frequency of the PWM is the inverse of the period (1/period).

**FIGURE 25-3: PWM OUTPUT**



## 25.1.3 PWM PERIOD

The PWM period is specified by writing to the PR2 register. The PWM period can be calculated using the following equation.

**EQUATION 25-2:**

$$PWM_{PERIOD} = [(PR2) + 1] \times T_{OSC} \times (T2_{PRESCALE\ VALUE})$$

When TMR2 is equal to PR2, the following two events occur on the next increment cycle:

- TMR2 is cleared
- The PWM duty cycle is latched from PWMRL into PWMRH

## 25.1.4 PWM DUTY CYCLE ( $D_{\text{CLOCK}}$ )

The PWM duty cycle ( $D_{\text{CLOCK}}$ ) is specified by writing to the PWMRL register. Up to 8-bit resolution is available. The following equation is used to calculate the PWM duty cycle ( $D_{\text{CLOCK}}$ ).

### EQUATION 25-3:

$$PWM_{\text{DUTY CYCLE}} = PWMRL \times T_{\text{OSC}} \times (T^2_{\text{PRESCALE VALUE}})$$

The PWMRL bits can be written to at any time, but the duty cycle value is not latched into PWMRH until after a match between PR2 and TMR2 occurs.

## 25.2 Operation During Sleep

When the device is placed in Sleep, the allocated timer will not increment and the state of the module will not change. If the CLKPIN pin is driving a value, it will continue to drive that value. When the device wakes up, it will continue from this state.

**TABLE 25-1: SUMMARY OF REGISTERS ASSOCIATED WITH PWM MODULE**

Name	Bit 7	Bit 6	Bit 5	Bit 4	Bit 3	Bit 2	Bit 1	Bit 0	Register on Page
MODECON	MSC1	MSC0	RFB	—	—	—	—	—	51
T2CON	—	—	—	—	—	TMR2ON	T2CKPS1	T2CKPS0	144
PR2	Timer2 Module Period Register								143
PWMRL	PWM Register Low Byte								145*
PWMPHL	Phase Shift Low Byte								145*

**Legend:** — = Unimplemented locations, read as '0'. Shaded cells are not used by PWM mode.

\* Page provides register information.

# MCP19114/5

---

NOTES:

## 26.0 DUAL CAPTURE/COMPARE (CCD) MODULE

The CCD module is implemented on the MCP19114/5. This module is a new module based on the standard CCP module. It has two capture and compare only register sets with no PWM function.

### 26.1 Capture Mode

In Capture mode, the CCxRH:CCxRL register set captures the 16-bit value of the TMR1 register when an event occurs on the DIMI pin. An event is defined as one of the following:

- Every falling edge
- Every rising edge
- Every 4<sup>th</sup> rising edge
- Every 16<sup>th</sup> rising edge

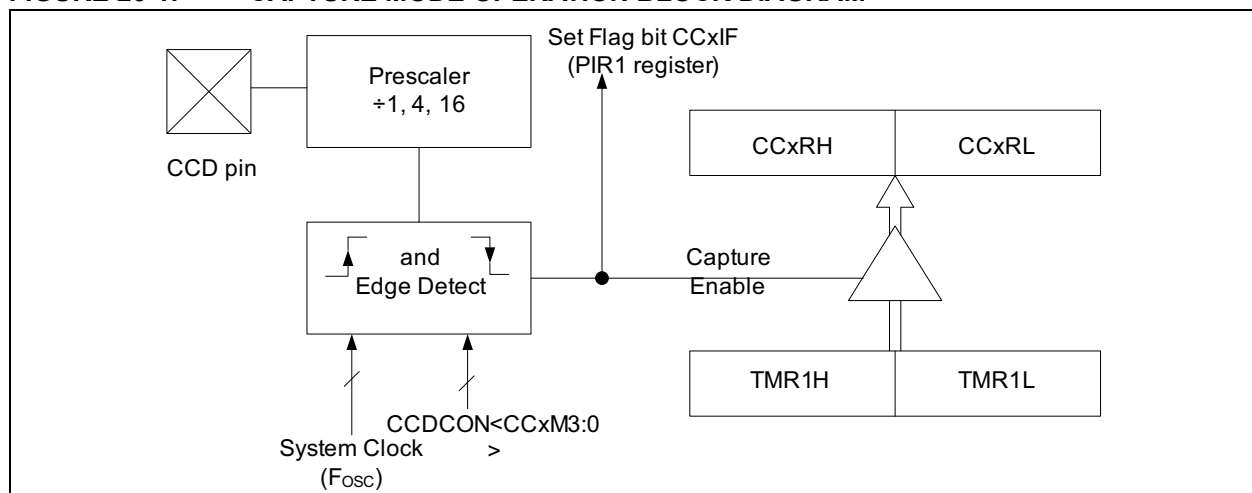
The type of event is configured by control bits CCxM3:CCxM0 (CCDCON<3:0> for register set 1 or CCDCON<7:4> for register set 2). When a capture is made, the interrupt request flag bit, CCxIF (PIR1<2> for register set 1 or PIR1<3> for register set 2), is set. The interrupt flag must be cleared in software. If another capture occurs before the value in the register set is read, the old captured value is overwritten by the new value.

#### 26.1.1 CCX PIN CONFIGURATION

In Capture mode, the DIMI pin should be configured as an input by setting the TRIS bit for that pin.

**Note:** If the DIMI pin is configured as an output, a write to the port can cause a capture condition.

**FIGURE 26-1: CAPTURE MODE OPERATION BLOCK DIAGRAM**



#### 26.1.2 TIMER1 MODE SELECTION

Timer1 must be running off of the instruction clock for the CCD module to use the capture feature. If Timer1 is running off of the 8 MHz clock, the capture feature may not function correctly.

#### 26.1.3 SOFTWARE INTERRUPT

When the Capture mode is changed, a false capture interrupt may be generated. The user should keep the enable for the capture interrupt clear in order to avoid false interrupts and should clear the flag bit, CCxIF, following any such change in the operating mode.

#### 26.1.4 CCD PRESCALER

There are four prescaler settings, specified by bits CCxM3:CCxM0. Whenever the CCD register set is disabled or not set to Capture mode, the prescaler counter is cleared. Any reset will clear the prescaler counter.

Switching from one capture prescaler to another may generate an interrupt. Also, the prescaler counter will not be cleared, therefore, the first capture may be from a nonzero prescaler. It is recommended to disable the register set (CCxM3:0 = 00xx) prior to changing the prescaler value.

# MCP19114/5

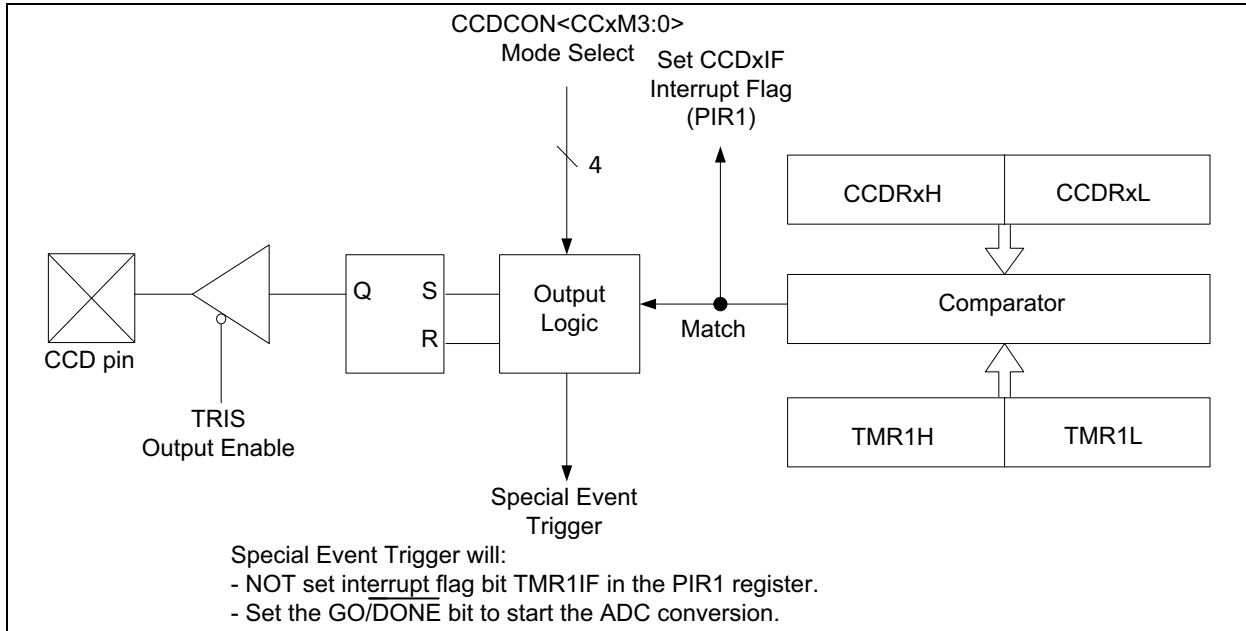
## 26.2 Compare Mode

In Compare mode, the 16-bit CCDRx register value is constantly compared against the TMR1 register pair value. When a match occurs, the CMPx pin:

- Is driven high
- Is driven low
- Toggles
- Remains unchanged

The action on the pin is based on the value of the control bits, CCxM3:CCxM0. At the same time, interrupt flag bit, CCP1IF, is set.

FIGURE 26-2: COMPARE MODE OPERATION BLOCK DIAGRAM



### 26.2.1 CMPX PIN CONFIGURATION

The user must configure the CMPx pin as an output by clearing the TRIS bit for that pin.

**Note:** Clearing the CCxM<3:0> bits will set the CMPx compare output latch to the default state. This is not the GPIO pin data latch. The default state for set on match or toggle on match is 0 but the default state for clear on match is 1.

### 26.2.2 TIMER1 MODE SELECTION

Timer1 must be running off of the instruction clock for the CCD module to use the compare feature. If Timer1 is running off of the 8 MHz clock, the compare feature may not function correctly.

### 26.2.3 SOFTWARE INTERRUPT MODE

When Generate Software Interrupt mode is chosen, the CCP1 pin is not affected. The CCP1IF bit is set, causing a CCx interrupt (if enabled).

### 26.2.4 SPECIAL EVENT TRIGGER

In this mode, an internal hardware trigger is generated, which may be used to initiate an action. The Special Event Trigger output of CCD does not reset the TMR1 register pair and starts an A/D conversion (if the A/D module is enabled).

**Note:** The Special Event Trigger from the CCD module will not set the interrupt flag bit TMR1IF (bit 0 in the PIR1 register).

## 26.3 Dual Capture/Compare Register

The Dual Capture/Compare Module is a new module based on the standard CCP. It has no PWM function.

### REGISTER 26-1: CCDCON: DUAL CAPTURE/COMPARE CONTROL MODULE

R/W-0	R/W-0	R/W-0	R/W-0	R/W-0	R/W-0	R/W-0	R/W-0
CC2M3	CC2M2	CC2M1	CC2M0	CC1M3	CC1M2	CC1M1	CC1M0
bit 7							bit 0

#### Legend:

R = Readable bit	W = Writable bit	U = Unimplemented bit, read as '0'
u = Bit is unchanged	x = Bit is unknown	-n = Value at POR
'1' = Bit is set	'0' = Bit is cleared	

- bit 7-4      **CC2M<3:0>**: CC Register Set 2 Mode Select bits
- 00xx = Capture/Compare off (resets the module)
  - 0100 = Capture mode, every falling edge
  - 0101 = Capture mode, every rising edge
  - 0110 = Capture mode, every 4<sup>th</sup> rising edge
  - 0111 = Capture mode, every 16<sup>th</sup> rising edge
  - 1000 = Compare mode, set output on match (CC2IF bit is set)
  - 1001 = Compare mode, clear output on match (CC2IF bit is set)
  - 1010 = Compare mode, toggle output on match (CC2IF bit is set)
  - 1011 = Reserved
  - 11xx = Compare mode, generate software interrupt on match (CC2IF bit is set, CMP2 pin is unaffected and configured as an I/O)
  - 1111 = Compare mode, trigger special event (CC2IF bit is set; **CC2 does not reset TMR1<sup>(1)</sup> and starts an A/D conversion, if the A/D module is enabled.** CMP2 pin is unaffected and configured as an I/O port).
- bit 3-0      **CC1M<3:0>**: CC Register Set 1 Mode Select bits
- 00xx = Capture/Compare off (resets the module)
  - 0100 = Capture mode, every falling edge
  - 0101 = Capture mode, every rising edge
  - 0110 = Capture mode, every 4<sup>th</sup> rising edge
  - 0111 = Capture mode, every 16<sup>th</sup> rising edge
  - 1000 = Compare mode, set output on match (CC1IF bit is set)
  - 1001 = Compare mode, clear output on match (CC1IF bit is set)
  - 1010 = Compare mode, toggle output on match (CC1IF bit is set)
  - 1011 = Reserved
  - 11xx = Compare mode, generate software interrupt on match (CC1IF bit is set, CMP1 pin is unaffected and configured as an I/O)
  - 1111 = Compare mode, trigger special event (CC1IF bit is set; **CC1 resets TMR1 and starts an A/D conversion, if the A/D module is enabled.** CMP1 pin is unaffected and configured as an I/O port).

**Note 1:** When the Compare interrupt is set, a PIC will typically reset TMR1. This module does NOT reset TMR1.

# MCP19114/5

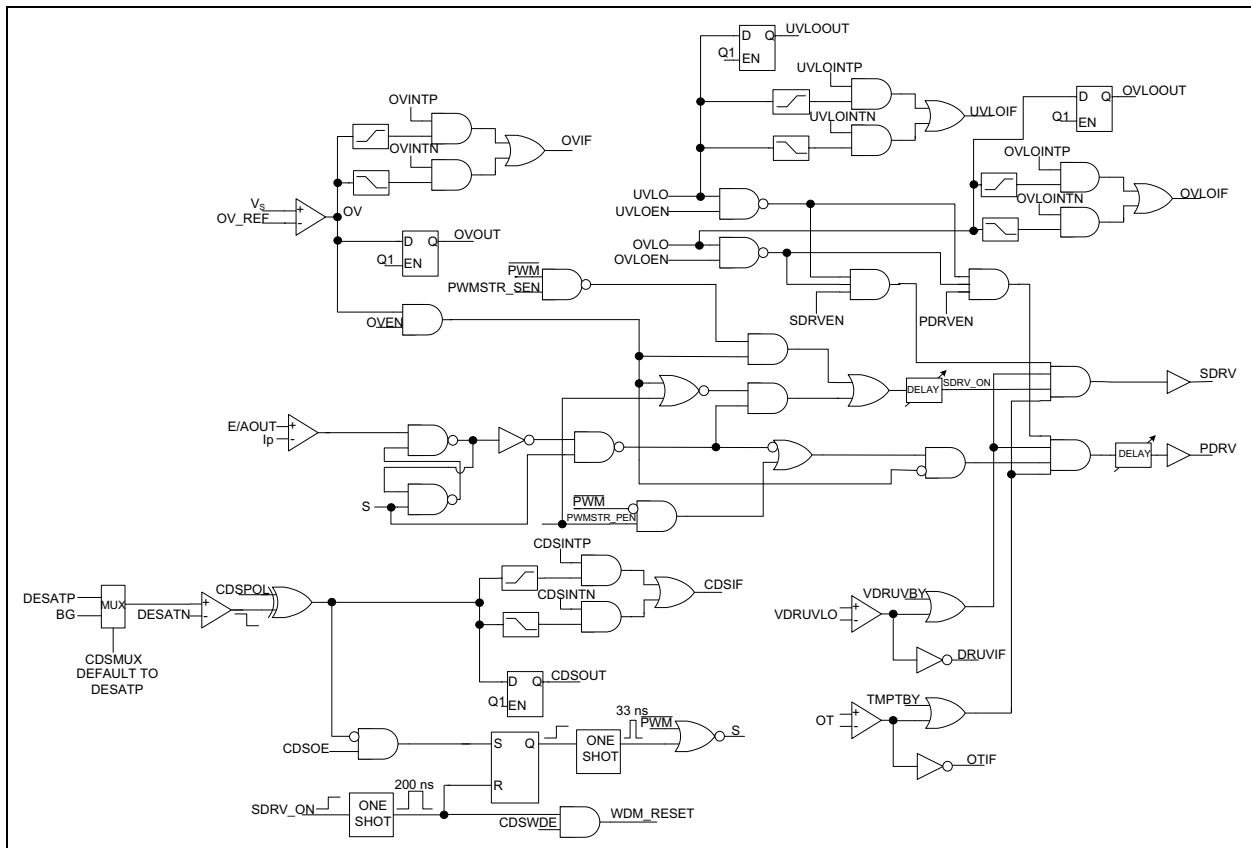
---

NOTES:

## 27.0 PWM CONTROL LOGIC

The PWM Control Logic implements standard comparator modules to identify events such as input undervoltage, input overvoltage and desaturation detection. The control logic takes action in hardware to appropriately enable/disable the output drive (PDRV/SDRV), as well as to set corresponding interrupt flags to be read by software. This control logic also defines normal PWM operation. For definition of individual bits within the control logic, refer to the Special Function Register (SFR) sections.

**FIGURE 27-1: PWM CONTROL LOGIC**



# MCP19114/5

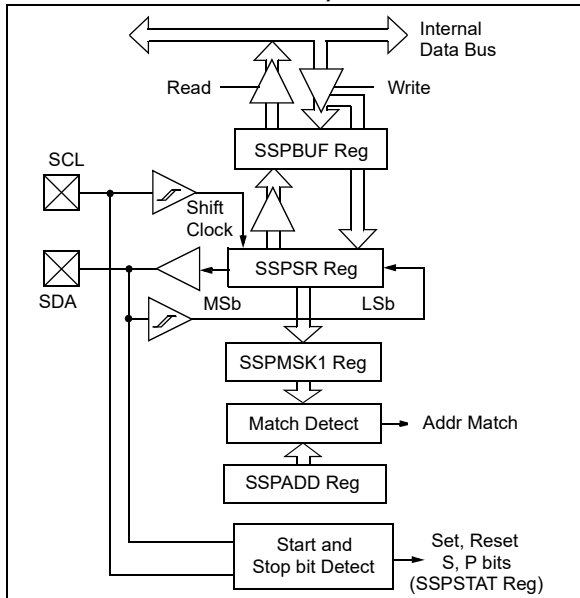
---

NOTES:



# MCP19114/5

**FIGURE 28-2: MSSP CLIENT BLOCK DIAGRAM (I<sup>2</sup>C CLIENT MODE)**



## 28.2 I<sup>2</sup>C MODE OVERVIEW

The Inter-Integrated Circuit Bus (I<sup>2</sup>C) is a multi-main serial data communication bus. Devices communicate in a main/client environment, where the main devices initiate the communication. A client device is controlled through addressing.

The I<sup>2</sup>C bus specifies two signal connections:

- Serial Clock (SCL)
- Serial Data (SDA)

Both the SCL and SDA connections are bidirectional open-drain lines, each requiring pull-up resistors for the supply voltage. Pulling the line to ground is considered a logical zero; letting the line float is considered a logical one.

Figure 28-3 shows a typical connection between two devices configured as main and client.

The I<sup>2</sup>C bus can operate with one or more main devices and one or more client devices.

There are four potential modes of operation for a given device:

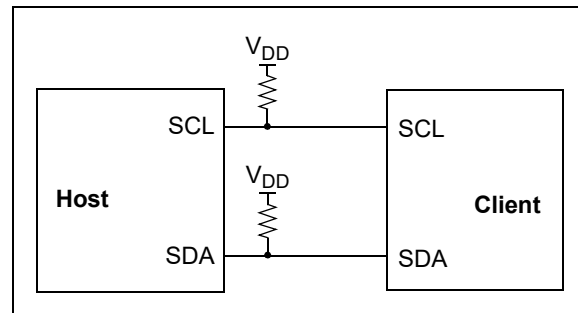
- Main Transmit mode (main is transmitting data to a client)
- Main Receive mode (main is receiving data from a client)
- Client Transmit mode (client is transmitting data to a main)
- Client Receive mode (client is receiving data from a main)

To begin communication, a host device starts out in Host Transmit mode. The host device sends out a Start bit followed by the address byte of the client it intends to communicate with. This is followed by a single Read/Write bit, which determines whether the host intends to transmit to or receive data from the client device.

If the requested client exists on the bus, it will respond with an Acknowledge bit, otherwise known as an ACK. The host then continues in either Transmit mode or Receive mode and the client continues in the complement, either in Receive mode or Transmit mode, respectively.

A Start bit is indicated by a high-to-low transition of the SDA line while the SCL line is held high. Address and data bytes are sent out Most Significant bit (MSb) first. The Read/Write bit is sent out as a logical one when the host intends to read data from the client, and is sent out as a logical zero when it intends to write data to the client.

**FIGURE 28-3: I<sup>2</sup>C HOST/CLIENT CONNECTION**



The Acknowledge bit ( $\overline{\text{ACK}}$ ) is an active-low signal which holds the SDA line low to indicate to the transmitter that the client device has received the transmitted data and is ready to receive more.

The transition of a data bit is always performed while the SCL line is held low. Transitions that occur while the SCL line is held high are used to indicate Start and Stop bits.

If the host intends to write to the client, it repeatedly sends out a byte of data, with the client responding after each byte with an  $\overline{\text{ACK}}$  bit. In this example, the host device is in Host Transmit mode and the client is in Client Receive mode.

If the host intends to read from the client, it repeatedly receives a byte of data from the client and responds after each byte with an  $\overline{\text{ACK}}$  bit. In this example, the host device is in Host Receive mode and the client is Client Transmit mode.

On the last byte of data communicated, the host device may end the transmission by sending a Stop bit. If the host device is in Receive mode, it sends the Stop bit in place of the last  $\overline{\text{ACK}}$  bit. A Stop bit is indicated by a low-to-high transition of the SDA line while the SCL line is held high.

In some cases, the host may want to maintain control of the bus and re-initiate another transmission. If so, the host device may send another Start bit in place of the Stop bit or last  $\overline{\text{ACK}}$  bit when it is in Receive mode.

The I<sup>2</sup>C bus specifies three message protocols:

- Single message where a host writes data to a client
- Single message where a host reads data from a client
- Combined message where a host initiates a minimum of two writes, or two reads, or a combination of writes and reads, to one or more clients

When one device is transmitting a logical one, or letting the line float, and a second device is transmitting a logical zero, or holding the line low, the first device can detect that the line is not a logical one. This detection, when used on the SCL line, is called clock stretching. Clock stretching gives client devices a mechanism to control the flow of data. When this detection is used on the SDA line, it is called arbitration. Arbitration ensures that there is only one host device communicating at any single time.

## 28.2.1 CLOCK STRETCHING

When a client device has not completed processing data, it can delay the transfer of more data through the process of Clock Stretching. An addressed client device may hold the SCL clock line low after receiving or sending a bit, indicating that it is not yet ready to continue. The host that is communicating with the client will attempt to raise the SCL line in order to transfer the next bit, but will detect that the clock line has not yet been released. Because the SCL connection is open-drain, the client has the ability to hold that line low until it is ready to continue communicating.

Clock stretching allows receivers that cannot keep up with a transmitter to control the flow of incoming data.

## 28.2.2 ARBITRATION

Each host device must monitor the bus for Start and Stop bits. If the device detects that the bus is busy, it cannot begin a new message until the bus returns to an idle state.

However, two host devices may try to initiate a transmission at or about the same time. When this occurs, the process of arbitration begins. Each transmitter checks the level of the SDA data line and compares it to the level that it expects to find. The first transmitter to observe that the two levels don't match, loses arbitration and must stop transmitting on the SDA line.

For example, if one transmitter holds the SDA line to a logical one (lets it float) and a second transmitter holds it to a logical zero (pulls it low), the result is that the SDA line will be low. The first transmitter then observes that the level of the line is different than expected and concludes that another transmitter is communicating.

The first transmitter to notice this difference is the one that loses arbitration and must stop driving the SDA line. If this transmitter is also a host device, it must also stop driving the SCL line. It then can monitor the lines for a Stop condition before trying to reissue its transmission. In the meantime, the other device that has not noticed any difference between the expected and actual levels on the SDA line continues with its original transmission. It can do so without any complications, because so far the transmission appears exactly as expected, with no other transmitter disturbing the message.

Client Transmit mode can also be arbitrated, when a host addresses multiple clients, but this is less common.

If two host devices are sending a message to two different client devices at the address stage, the host sending the lower client address always wins arbitration. When two host devices send messages to the same client address, and addresses can sometimes refer to multiple clients, the arbitration process must continue into the data stage.

Arbitration usually occurs very rarely, but it is a necessary process for proper multi-host support.

# MCP19114/5

## 28.3 I<sup>2</sup>C MODE OPERATION

All MSSP I<sup>2</sup>C communication is byte-oriented and shifted out MSb first. Six SFR registers and two interrupt flags interface the module with the PIC microcontroller and with the user's software. Two pins, SDA and SCL, are exercised by the module to communicate with other external I<sup>2</sup>C devices.

### 28.3.1 BYTE FORMAT

All communication in I<sup>2</sup>C is done in 9-bit segments. A byte is sent from a Host to a Client or vice versa, followed by an Acknowledge bit sent back. After the 8<sup>th</sup> falling edge of the SCL line, the device outputting data on the SDA changes that pin to an input and reads in an acknowledge value on the next clock pulse.

The clock signal, SCL, is provided by the host. Data is valid to change while the SCL signal is low, and sampled on the rising edge of the clock. Changes on the SDA line while the SCL line is high define special conditions on the bus, explained in the following sections.

### 28.3.2 DEFINITION OF I<sup>2</sup>C TERMINOLOGY

There is language and terminology in the description of I<sup>2</sup>C communication that have definitions specific to I<sup>2</sup>C. Such word usage is defined in [Table 28-1](#) and may be used in the rest of this document without explanation. The information in this table was adapted from the Philips I<sup>2</sup>C specification.

### 28.3.3 SDA AND SCL PINS

Selecting any I<sup>2</sup>C mode with the SSPEN bit set forces the SCL and SDA pins to be open-drain. These pins should be set by the user to inputs by setting the appropriate TRIS bits.

**Note:** Data is tied to output zero when an I<sup>2</sup>C mode is enabled.

### 28.3.4 SDA HOLD TIME

The hold time of the SDA pin is selected by the SDAHT bit in the SSPCON3 register. Hold time is the time SDA is held valid after the falling edge of SCL. Setting the SDAHT bit selects a longer 300 ns minimum hold time and may help on buses with large capacitance.

**TABLE 28-1: I<sup>2</sup>C BUS TERMS**

Term	Description
Transmitter	The device that shifts data out onto the bus
Receiver	The device that shifts data in from the bus
Host	The device that initiates a transfer, generates clock signals and terminates a transfer
Client	The device addressed by the host
Multi-Host	A bus with more than one device that can initiate data transfers
Arbitration	Procedure to ensure that only one host at a time controls the bus. Winning arbitration ensures that the message is not corrupted.
Synchronization	Procedure to synchronize the clocks of two or more devices on the bus
Idle	No host is controlling the bus and both SDA and SCL lines are high
Active	Any time one or more host devices are controlling the bus
Addressed Client	Client device that has received a matching address and is actively being clocked by a host
Matching Address	Address byte that is clocked into a client that matches the value stored in SSPADDx
Write Request	Client receives a matching address with $\overline{R/W}$ bit clear and is ready to clock in data
Read Request	Host sends an address byte with the $\overline{R/W}$ bit set, indicating that it wishes to clock data out of the Client. This data is the next and all following bytes until a Restart or Stop.
Clock Stretching	When a device on the bus holds SCL low to stall communication
Bus Collision	Any time the SDA line is sampled low by the module while it is outputting and expected high state

## 28.3.5 START CONDITION

The I<sup>2</sup>C specification defines a Start condition as a transition of SDA from a high state to a low state, while SCL line is high. A Start condition is always generated by the host and signifies the transition of the bus from an Idle to an Active state. Figure 28-4 shows the wave forms for Start and Stop conditions.

A bus collision can occur on a Start condition if the module samples the SDA line low before asserting it low. This does not conform to the I<sup>2</sup>C Specification that states no bus collision can occur on a Start.

## 28.3.6 STOP CONDITION

A Stop condition is a transition of the SDA line from low-to-high state while the SCL line is high.

**Note:** At least one SCL low time must appear before a Stop is valid. Therefore, if the SDA line goes low then high again while the SCL line stays high, only the Start condition is detected.

## 28.3.7 RESTART CONDITION

A Restart is valid any time that a Stop is valid. A host can issue a Restart if it wishes to hold the bus after terminating the current transfer. A Restart has the same effect on the client that a Start would, resetting all client logic and preparing it to clock in an address. The host may want to address the same or another client.

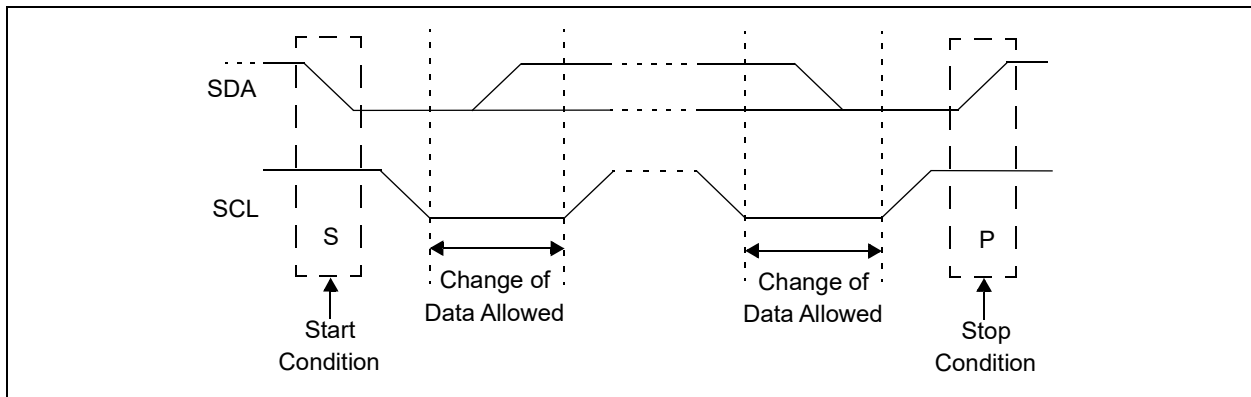
In 10-bit Addressing Client mode, a Restart is required for the host to clock data out of the addressed client. Once a client has been fully addressed, matching both high and low address bytes, the host can issue a Restart and the high address byte with the R/W bit set. The client logic will then hold the clock and prepare to clock out data.

After a full match with R/W clear in 10-bit mode, a prior match flag is set and maintained. Until a Stop condition, a high address with R/W clear or a high address match fails.

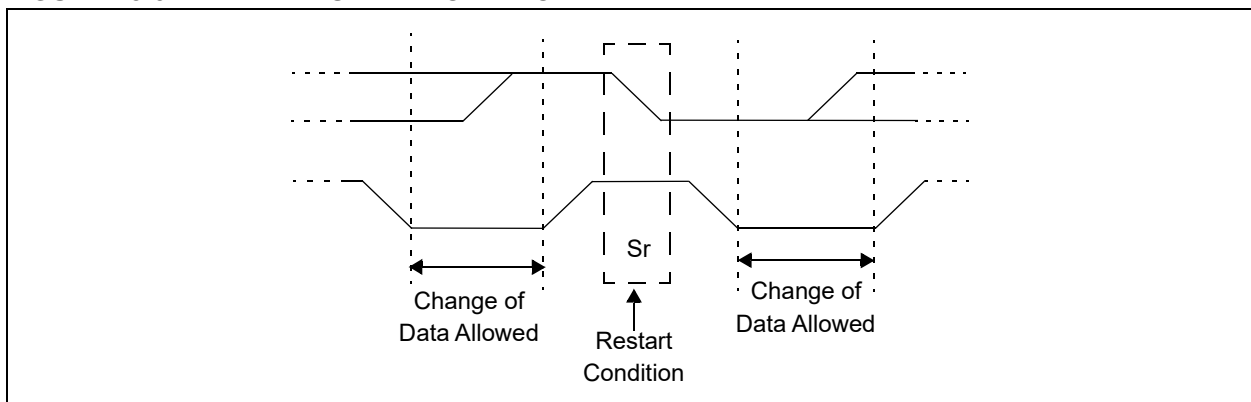
## 28.3.8 START/STOP CONDITION INTERRUPT MASKING

The SCIE and PCIE bits in the SSPCON3 register can enable the generation of an interrupt in Client modes that do not typically support this function. These bits will have no effect on client modes where interrupt on Start and Stop detect are already enabled.

**FIGURE 28-4: I<sup>2</sup>C START AND STOP CONDITIONS**



**FIGURE 28-5: I<sup>2</sup>C RESTART CONDITION**



## 28.3.9 ACKNOWLEDGE SEQUENCE

The 9<sup>th</sup> SCL pulse for any transferred byte in I<sup>2</sup>C is dedicated as an Acknowledge. It allows receiving devices to respond back to the transmitter by pulling the SDA line low. The transmitter must release control of the line during this time to shift in the response. The Acknowledge ( $\overline{\text{ACK}}$ ) is an active-low signal, pulling the SDA line low, indicating to the transmitter that the device has received the transmitted data and is ready to receive more.

The result of an  $\overline{\text{ACK}}$  is placed in the ACKSTAT bit in the SSPCON2 register.

Client software, when the AHEN and DHEN bits are set, allows the user to set the  $\overline{\text{ACK}}$  value sent back to the transmitter. The ACKDT bit in the SSPCON2 register is set/cleared to determine the response.

Client hardware will generate an  $\overline{\text{ACK}}$  response if the AHEN and DHEN bits in the SSPCON3 register are clear.

There are certain conditions where an  $\overline{\text{ACK}}$  will not be sent by the client. If the BF bit in the SSPSTAT register or the SSPOV bit in the SSPCON1 register are set when a byte is received, the  $\overline{\text{ACK}}$  will not be sent.

When the module is addressed, after the 8<sup>th</sup> falling edge of SCL on the bus, the ACKTIM bit in the SSPCON3 register is set. The ACKTIM bit indicates the acknowledge time of the active bus. The ACKTIM status bit is only active when the AHEN or DHEN bits are enabled.

## 28.4 I<sup>2</sup>C CLIENT MODE OPERATION

The MSSP Client mode operates in one of the four modes selected in the SSPM bits in SSPCON1 register. The modes can be divided into 7-bit and 10-bit Addressing mode. 10-bit Addressing mode operates the same as 7-bit, with some additional overhead for handling the larger addresses.

Modes with Start and Stop bit interrupts operate the same as the other modes, with SSPIF additionally getting set upon detection of a Start, Restart or Stop condition.

### 28.4.1 CLIENT MODE ADDRESSES

The SSPADD register contains the Client mode address. The first byte received after a Start or Restart condition is compared against the value stored in this register. If the byte matches, the value is loaded into the SSPBUF register and an interrupt is generated. If the value does not match, the module goes idle and no indication is given to the software that anything happened.

The SSPMSK1 register affects the address matching process. Refer to [Section 28.4.10 “SSPMSK1 Register”](#) for more information.

### 28.4.2 SECOND CLIENT MODE ADDRESS

The SSPADD2 register contains a second 7-bit Client mode address. The first byte received after a Start or Restart condition is compared against the value stored in this register. If the byte matches, the value is loaded into the SSPBUF register and an interrupt is generated. If the value does not match, the module goes idle and no indication is given to the software that anything happened.

The SSPMSK2 register affects the address matching process. Refer to [Section 28.4.10 “SSPMSK1 Register”](#) for more information.

#### 28.4.2.1 I<sup>2</sup>C Client 7-Bit Addressing Mode

In 7-bit Addressing mode, the LSb of the received data byte is ignored when determining if there is an address match.

#### 28.4.2.2 I<sup>2</sup>C Client 10-Bit Addressing Mode

In 10-bit Addressing mode, the first received byte is compared to the binary value of '1 1 1 1 0 A9 A8 0'. A9 and A8 are the two MSb of the 10-bit address and are stored in bits 2 and 1 in the SSPADD register.

After the high byte has been acknowledged, the UA bit is set and SCL is held low until the user updates SSPADD with the low address. The low address byte is clocked in, and all 8 bits are compared to the low address value in SSPADD. Even if there is no address match, SSPIF and UA are set and SCL is held low until SSPADD is updated to receive a high byte again. When SSPADD is updated, the UA bit is cleared. This ensures the module is ready to receive the high address byte on the next communication.

A high and low address match as a write request is required at the start of all 10-bit addressing communication. A transmission can be initiated by issuing a Restart once the client is addressed, and clocking in the high address with the R/W bit set. The client hardware will then acknowledge the read request and prepare to clock out data. This is only valid for a client after it has received a complete high and low address-byte match.

### 28.4.3 CLIENT RECEPTION

When the  $\overline{\text{R/W}}$  bit of a matching received address byte is clear, the  $\overline{\text{R/W}}$  bit in the SSPSTAT register is cleared. The received address is loaded into the SSPBUF register and acknowledged.

When an overflow condition exists for a received address, then Not Acknowledge is given. An overflow condition is defined as either bit BF in the SSPSTAT register is set, or bit SSPOV in the SSPCON1 register is set. The BOEN bit in the SSPCON3 register modifies this operation. For more information, refer to [Register 28-4](#).

An MSSP interrupt is generated for each transferred data byte. Flag bit SSPIF must be cleared by software.

When the SEN bit in the SSPCON2 register is set, SCL will be held low (clock stretch) following each received byte. The clock must be released by setting the CKP bit in the SSPCON1 register, except sometimes in 10-bit mode.

#### 28.4.3.1 7-Bit Addressing Reception

This section describes a standard sequence of events for the MSSP module configured as an I<sup>2</sup>C Client in 7-bit Addressing mode, including all decisions made by hardware or software and their effect on reception. Figures 28-5 and 28-6 are used as a visual reference for this description.

This is a step-by-step process of what typically must be done to accomplish I<sup>2</sup>C communication.

1. Start bit detected.
2. S bit in the SSPSTAT register is set; SSPIF is set if interrupt on Start detect is enabled.
3. Matching address with R/W bit clear is received.
4. The client pulls SDA low, sending an  $\overline{\text{ACK}}$  to the host, and sets SSPIF bit.
5. Software clears the SSPIF bit.
6. Software reads received address from SSPBUF clearing the BF flag.
7. If SEN = 1, Client software sets CKP bit to release the SCL line.
8. The host clocks out a data byte.
9. Client drives SDA low sending an  $\overline{\text{ACK}}$  to the host, and sets SSPIF bit.
10. Software clears SSPIF.
11. Software reads the received byte from SSPBUF clearing BF.
12. Steps 8–12 are repeated for all received bytes from the Host.
13. Host sends Stop condition, setting P bit in the SSPSTAT register, and the bus goes idle.

#### 28.4.3.2 7-Bit Reception with AHEN and DHEN

Client device reception with AHEN and DHEN set operates the same as without these options with extra interrupts and clock stretching added after the 8<sup>th</sup> falling edge of SCL. These additional interrupts allow the client software to decide whether it wants the  $\overline{\text{ACK}}$  to receive address or data byte, rather than the hardware.

This list describes the steps that need to be taken by client software to use these options for I<sup>2</sup>C communication. Figure 28-7 displays a module using both address and data holding. Figure 28-8 includes the operation with the SEN bit in the SSPCON2 register set.

1. S bit in the SSPSTAT register is set; SSPIF is set if interrupt on Start detect is enabled.
2. Matching address with R/W bit clear is clocked in. SSPIF is set and CKP cleared after the 8<sup>th</sup> falling edge of SCL.
3. Client clears the SSPIF.
4. Client can look at the ACKTIM bit in the SSPCON3 register to determine if the SSPIF was after or before the  $\overline{\text{ACK}}$ .
5. Client reads the address value from SSPBUF, clearing the BF flag.
6. Client sets  $\overline{\text{ACK}}$  value clocked out to the host by setting ACKDT.
7. Client releases the clock by setting CKP.
8. SSPxIF is set after an  $\overline{\text{ACK}}$ , not after a NACK.
9. If SEN = 1 the client hardware will stretch the clock after the  $\overline{\text{ACK}}$ .
10. Client clears SSPIF.

**Note:** SSPIF is still set after the 9<sup>th</sup> falling edge of SCL even if there is no clock stretching and BF has been cleared. Only if NACK is sent to Host is SSPIF not set.

11. SSPIF set and CKP cleared after 8<sup>th</sup> falling edge of SCL for a received data byte.
12. Client looks at ACKTIM bit in the SSPCON3 register to determine the source of the interrupt.
13. Client reads the received data from SSPBUF clearing BF.
14. Steps 7-14 are the same for each received data byte.
15. Communication is ended by either the client sending an  $\overline{\text{ACK}} = 1$  or the host sending a Stop condition. If a Stop is sent and Interrupt on Stop Detect is disabled, the client will only know by polling the P bit in the SSPSTAT register.

**FIGURE 28-6: I<sup>2</sup>C CLIENT, 7-BIT ADDRESS, RECEPTION (SEN = 0, AHEN = 0, DHEN = 0)**

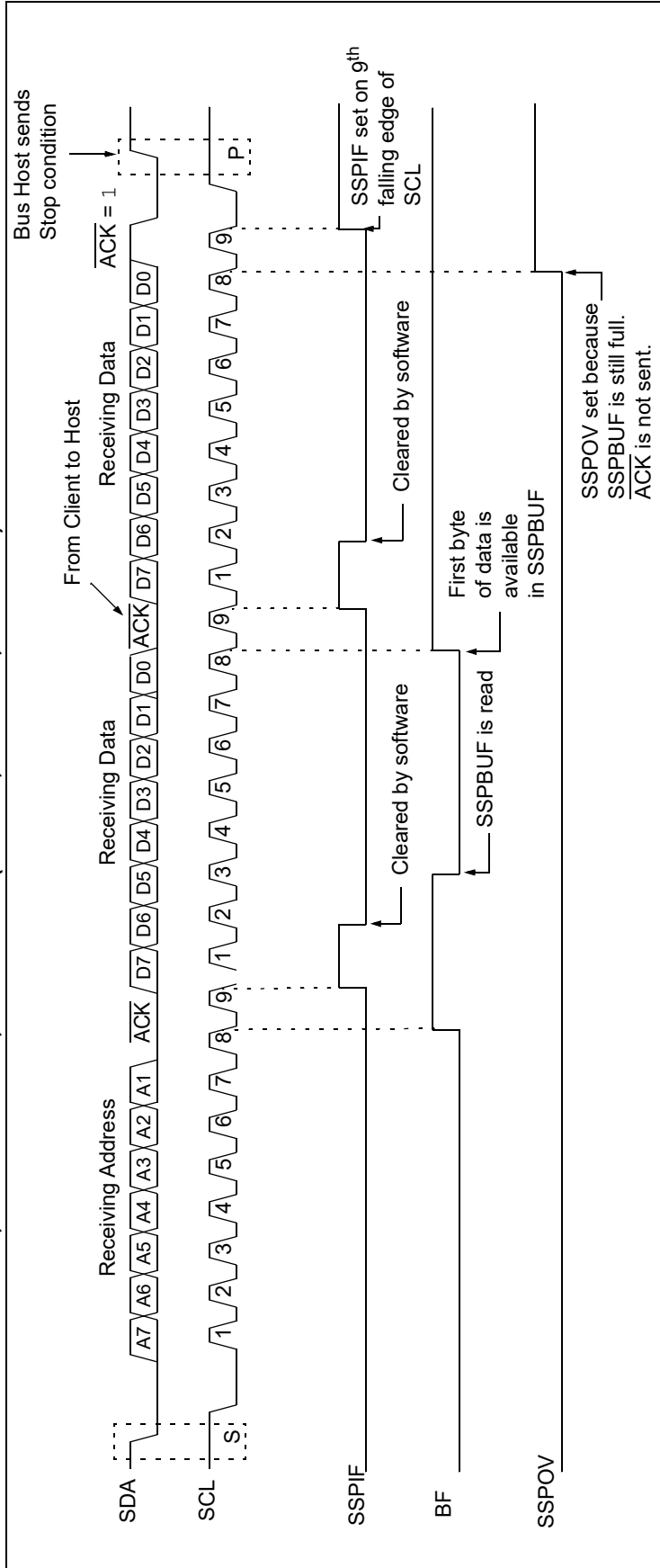


FIGURE 28-7: I<sup>2</sup>C CLIENT, 7-BIT ADDRESS, RECEPTION (SEN = 1, AHEN = 0, DHEN = 0)

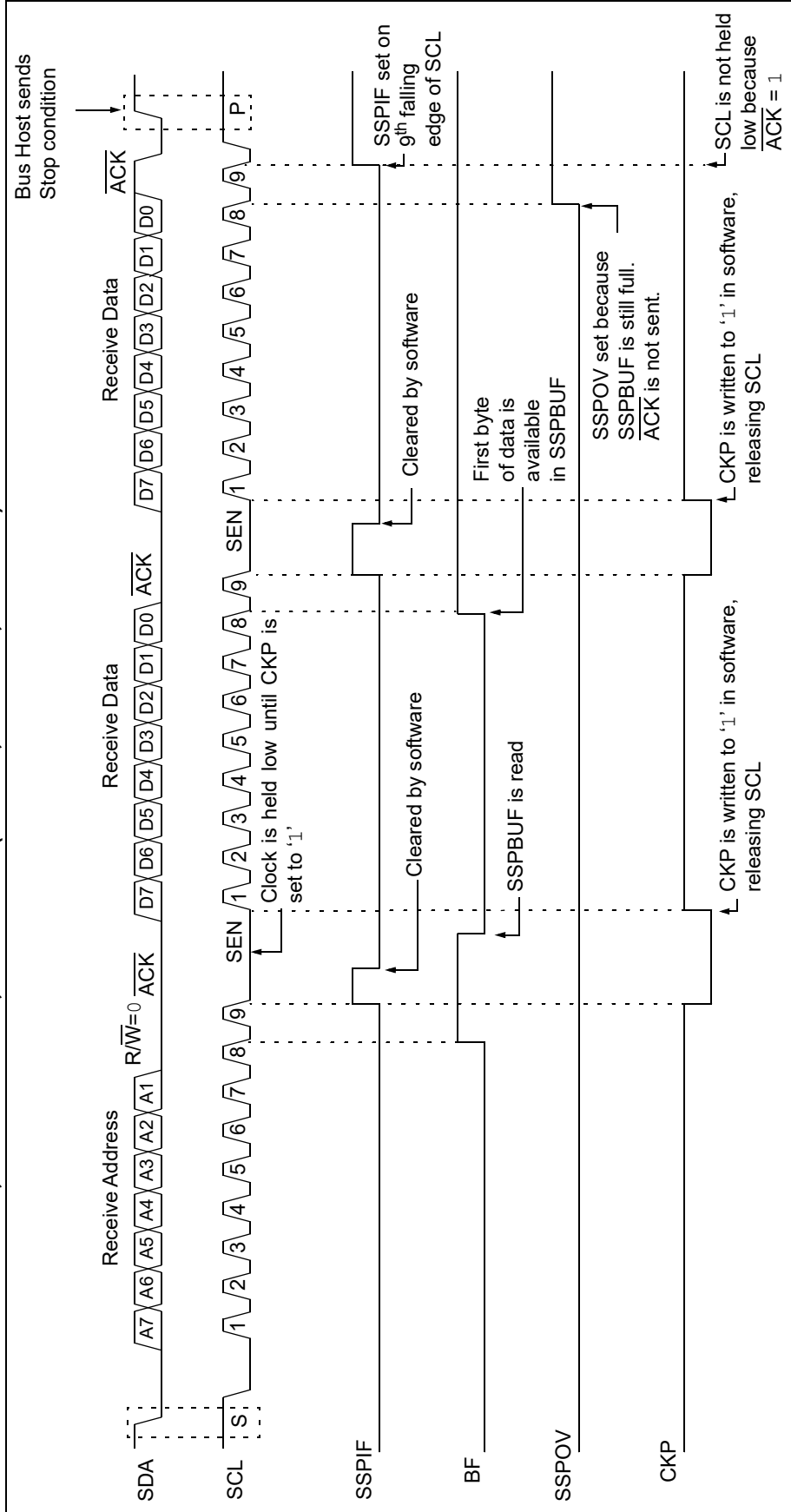
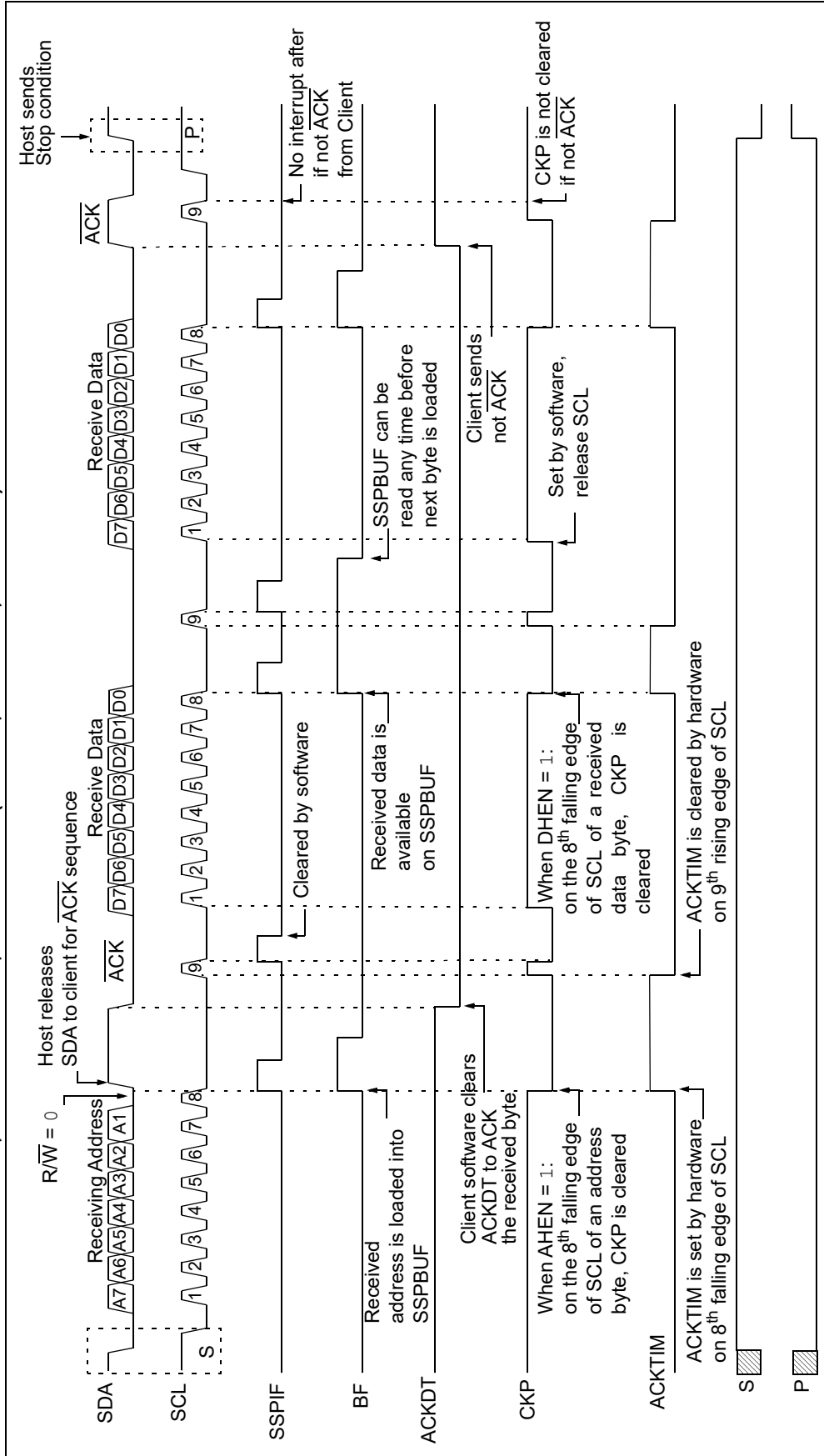




FIGURE 28-9: I<sup>2</sup>C CLIENT, 7-BIT ADDRESS, RECEPTION (SEN = 1, AHEN = 1, DHEN = 1)



# MCP19114/5

## 28.4.4 CLIENT TRANSMISSION

When the  $\overline{R/W}$  bit of the incoming address byte is set and an address match occurs, the  $\overline{R/W}$  bit in the SSPSTAT register is set. The received address is loaded into the SSPBUF register and an  $\overline{ACK}$  pulse is sent by the client on the 9<sup>th</sup> bit.

Following the  $\overline{ACK}$ , client hardware clears the CKP bit and the SCL pin is held low. Refer to [Section 28.4.7 “Clock Stretching”](#) for more details. By stretching the clock, the host will be unable to assert another clock pulse until the client is done preparing the transmit data.

The transmit data must be loaded into the SSPBUF register, which also loads the SSPSR register. Then the SCL pin should be released by setting the CKP bit in the SSPCON1 register. The eight data bits are shifted out on the falling edge of the SCL input. This ensures that the SDA signal is valid during the SCL high time.

The  $\overline{ACK}$  pulse from the host-receiver is latched on the rising edge of the 9<sup>th</sup> SCL input pulse. This  $\overline{ACK}$  value is copied to the ACKSTAT bit in the SSPCON2 register. If ACKSTAT is set (not  $\overline{ACK}$ ), the data transfer is complete. In this case, when the not  $\overline{ACK}$  is latched by the client, the client goes idle and waits for another occurrence of the Start bit. If the SDA line was low ( $\overline{ACK}$ ), the next transmit data must be loaded into the SSPBUF register. Again, the SCL pin must be released by setting bit CKP.

An MSSP interrupt is generated for each data transfer byte. The SSPIF bit must be cleared by software, and the SSPSTAT register is used to determine the status of the byte. The SSPIF bit is set on the falling edge of the 9<sup>th</sup> clock pulse.

### 28.4.4.1 Client Mode Bus Collision

A client receives a Read request and begins shifting data out on the SDA line. If a bus collision is detected and the SBCDE bit in the SSPCON3 register is set, the BCLIF bit in the PIR register is set. Once a bus collision is detected, the client goes idle and waits to be addressed again. The user's software can use the BCLIF bit to handle a client bus collision.

### 28.4.4.2 7-Bit Transmission

A host device can transmit a read request to a client, and then it clocks data out of the client. The list below outlines what software for a client will need to do to accomplish a standard transmission. [Figure 28-10](#) can be used as a reference to this list.

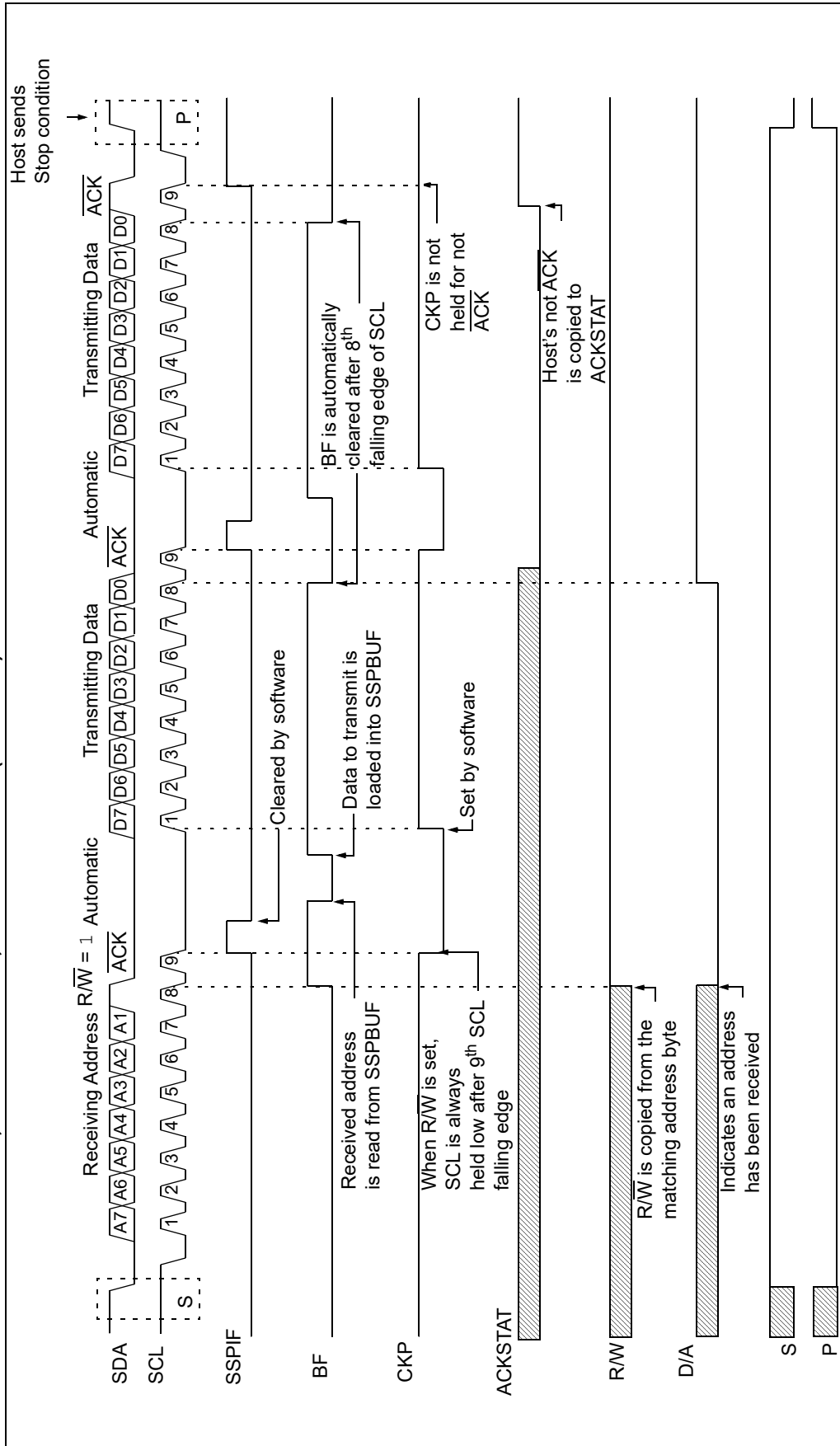
1. Host sends a Start condition on SDA and SCL.
2. S bit in the SSPSTAT register is set; SSPIF is set if interrupt on Start detect is enabled.
3. Matching address with  $\overline{R/W}$  bit set is received by the Client setting SSPIF bit.
4. Client hardware generates an  $\overline{ACK}$  and sets SSPIF.
5. SSPIF bit is cleared by user.
6. Software reads the received address from SSPBUF, clearing BF.
7.  $\overline{R/W}$  is set so CKP was automatically cleared after the  $\overline{ACK}$ .
8. The client software loads the transmit data into SSPBUF.
9. CKP bit is set releasing SCL, allowing the host to clock the data out of the client.
10. SSPIF is set after the  $\overline{ACK}$  response from the host is loaded into the ACKSTAT register.
11. SSPIF bit is cleared.
12. The client software checks the ACKSTAT bit to see if the host wants to clock out more data.

**Note 1:** If the host  $\overline{ACK}$ s, the clock will be stretched.

**2:** ACKSTAT is the only bit updated on the rising edge of SCL (9<sup>th</sup>) rather than on the falling edge.

13. Steps 9–13 are repeated for each transmitted byte.
14. If the host sends a not  $\overline{ACK}$ , the clock is not held but SSPIF is still set.
15. The host sends a Restart condition or a Stop.
16. The client is no longer addressed.

FIGURE 28-10: I<sup>2</sup>C CLIENT, 7-BIT ADDRESS, TRANSMISSION (AHEN = 0)



# MCP19114/5

---

## 28.4.4.3 7-Bit Transmission with Address Hold Enabled

Setting the AHEN bit in the SSPCON3 register enables additional clock stretching and interrupt generation after the 8<sup>th</sup> falling edge of a received matching address. Once a matching address has been clocked in, CKP is cleared and the SSPIF interrupt is set.

Figure 28-11 displays a standard waveform of a 7-bit Address Client Transmission with AHEN enabled.

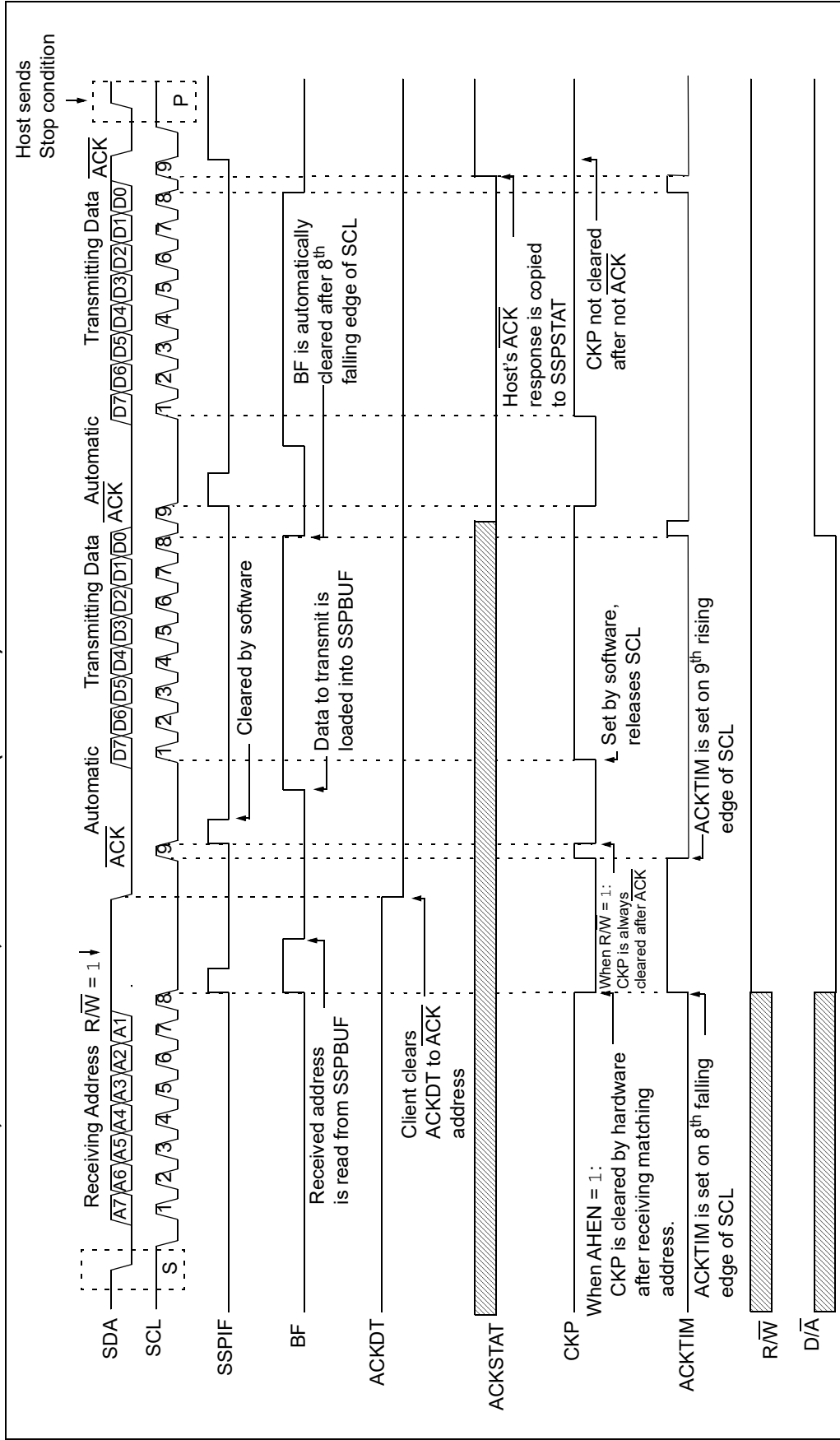
1. Bus starts idle.
2. Host sends Start condition; the S bit in the SSPSTAT register is set; SSPIF is set if interrupt on Start detect is enabled.
3. Host sends matching address with  $\overline{R/W}$  bit set. After the 8<sup>th</sup> falling edge of the SCL line, the CKP bit is cleared and SSPIF interrupt is generated.
4. Client software clears SSPIF.
5. Client software reads  $\overline{ACKTIM}$  bit in the SSPCON3 register and  $\overline{R/W}$  and  $\overline{D/A}$  bits in the SSPSTAT register to determine the source of the interrupt.
6. Client reads the address value from the SSPBUF register, clearing the BF bit.
7. Client software decides from this information if it wishes to  $\overline{ACK}$  or not  $\overline{ACK}$ , and sets ACKDT bit in the SSPCON2 register accordingly.
8. Client sets the CKP bit releasing SCL.
9. Host clocks in the  $\overline{ACK}$  value from the client.
10. Client hardware automatically clears the CKP bit and sets SSPIF after the  $\overline{ACK}$  if the  $\overline{R/W}$  bit is set.
11. Client software clears SSPIF.
12. Client loads value to transmit to the host into SSPBUF setting the BF bit.

**Note:** SSPBUF cannot be loaded until after the  $\overline{ACK}$ .

13. Client sets CKP bit releasing the clock.
14. Host clocks out the data from the client and sends an  $\overline{ACK}$  value on the 9<sup>th</sup> SCL pulse.
15. Client hardware copies the  $\overline{ACK}$  value into the ACKSTAT bit in the SSPCON2 register.
16. Steps 10–15 are repeated for each byte transmitted to the host from the client.
17. If the host sends a not  $\overline{ACK}$ , the client releases the bus, allowing the host to send a Stop and end the communication.

**Note:** Host must send a not  $\overline{ACK}$  on the last byte to ensure that the client releases the SCL line to receive a Stop.

FIGURE 28-11: I<sup>2</sup>C CLIENT, 7-BIT ADDRESS, TRANSMISSION (AHEN = 1)



# MCP19114/5

---

## 28.4.5 CLIENT MODE 10-BIT ADDRESS RECEPTION

This section describes a standard sequence of events for the MSSP module configured as an I<sup>2</sup>C Client in 10-bit Addressing mode.

Figure 28-12 is used as a visual reference for this description.

This is a step-by-step process of what must be done by client software to accomplish I<sup>2</sup>C communication:

1. Bus starts idle.
2. Host sends Start condition; S bit in the SSPSTAT register is set; SSPIF is set if interrupt on Start detect is enabled.
3. Host sends matching high address with  $\overline{R/\overline{W}}$  bit clear; UA bit in the SSPSTAT register is set.
4. Client sends  $\overline{ACK}$  and SSPIF is set.
5. Software clears the SSPIF bit.
6. Software reads received address from SSPBUF, clearing the BF flag.
7. Client loads low address into SSPADD, releasing SCL.
8. Host sends matching low-address byte to the Client; UA bit is set.

**Note:** Updates to the SSPADD register are not allowed until after the  $\overline{ACK}$  sequence.

9. Client sends  $\overline{ACK}$  and SSPIF is set.

**Note:** If the low address does not match, SSPIF and UA are still set so that the client software can set SSPADD back to the high address. BF is not set because there is no match. CKP is unaffected.

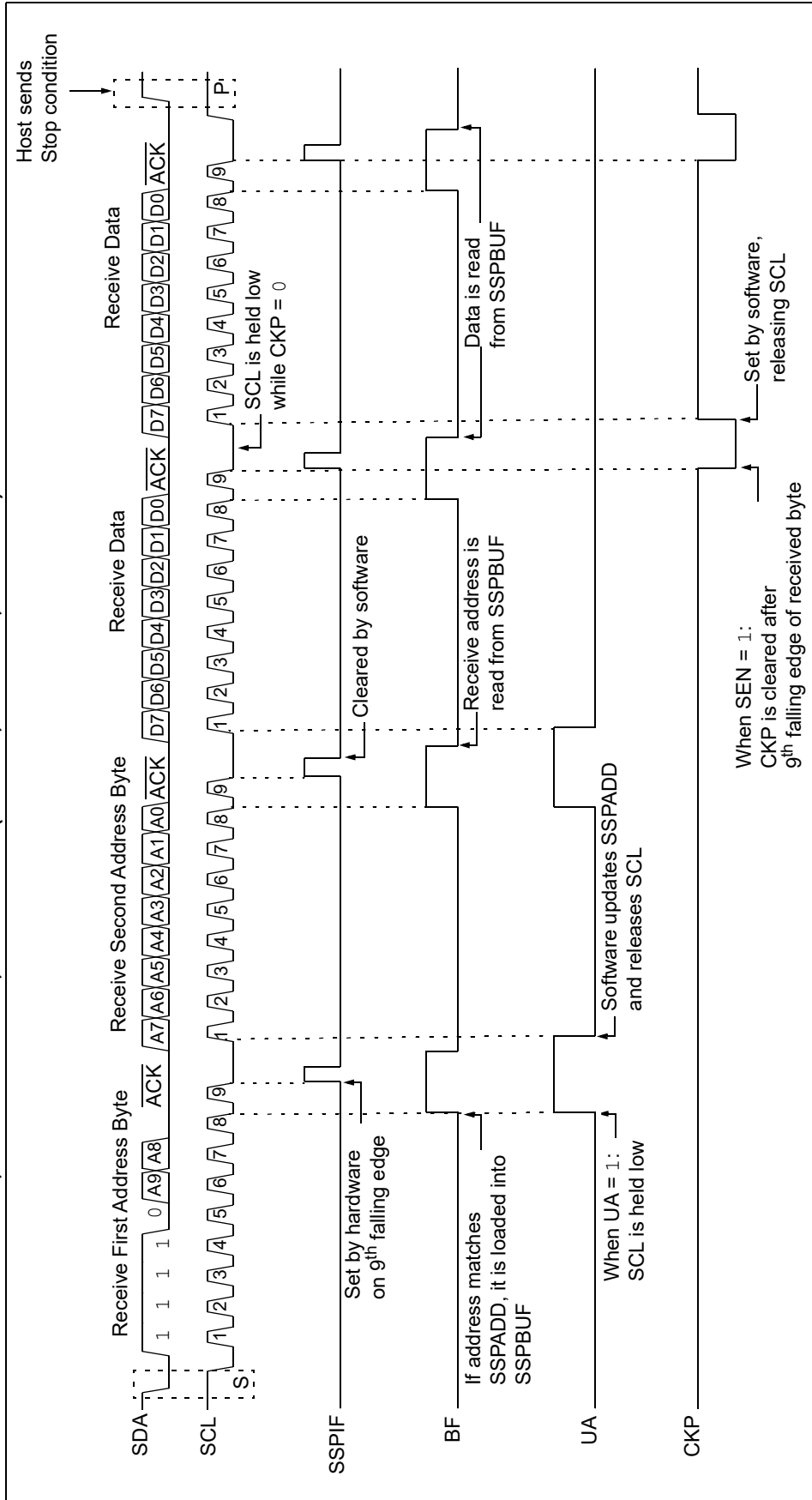
10. Client clears SSPIF.
11. Client reads the received matching address from SSPBUF, clearing BF.
12. Client loads high address into SSPADD.
13. Host clocks a data byte to the client and clocks out the client's  $\overline{ACK}$  on the 9<sup>th</sup> SCL pulse; SSPIF is set.
14. If SEN bit in the SSPCON2 register is set, CKP is cleared by hardware and the clock is stretched.
15. Client clears SSPIF.
16. Client reads the received byte from SSPBUF, clearing BF.
17. If SEN is set, the client sets CKP to release the SCL.
18. Steps 13–17 are repeated for each received byte.
19. Host sends Stop to end the transmission.

## 28.4.6 10-BIT ADDRESSING WITH ADDRESS OR DATA HOLD

Reception using 10-bit addressing with AHEN or DHEN set is the same as with 7-bit modes. The only difference is the need to update the SSPADD register using the UA bit. All functionality, specifically when the CKP bit is cleared and the SCL line is held low, is the same. Figure 28-13 can be used as a reference of a client in 10-bit addressing with AHEN set.

Figure 28-14 shows a standard waveform for a client transmitter in 10-bit Addressing mode.

FIGURE 28-12: I<sup>2</sup>C CLIENT, 10-BIT ADDRESS, RECEPTION (SEN = 1, AHEN = 0, DHEN = 0)



**FIGURE 28-13: I<sup>2</sup>C CLIENT, 10-BIT ADDRESS, RECEPTION (SEN = 0, AHEN = 1, DHEN = 0)**

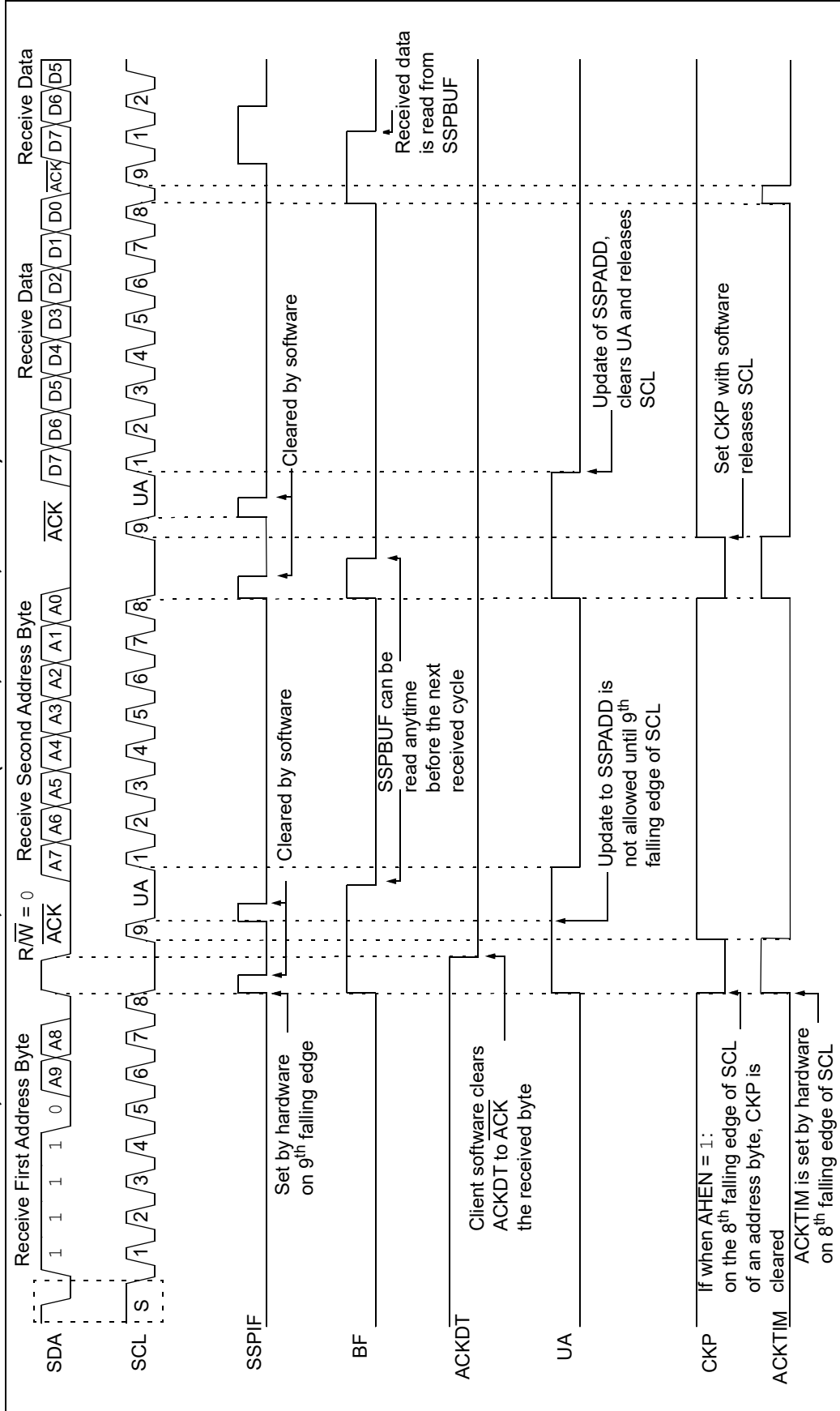
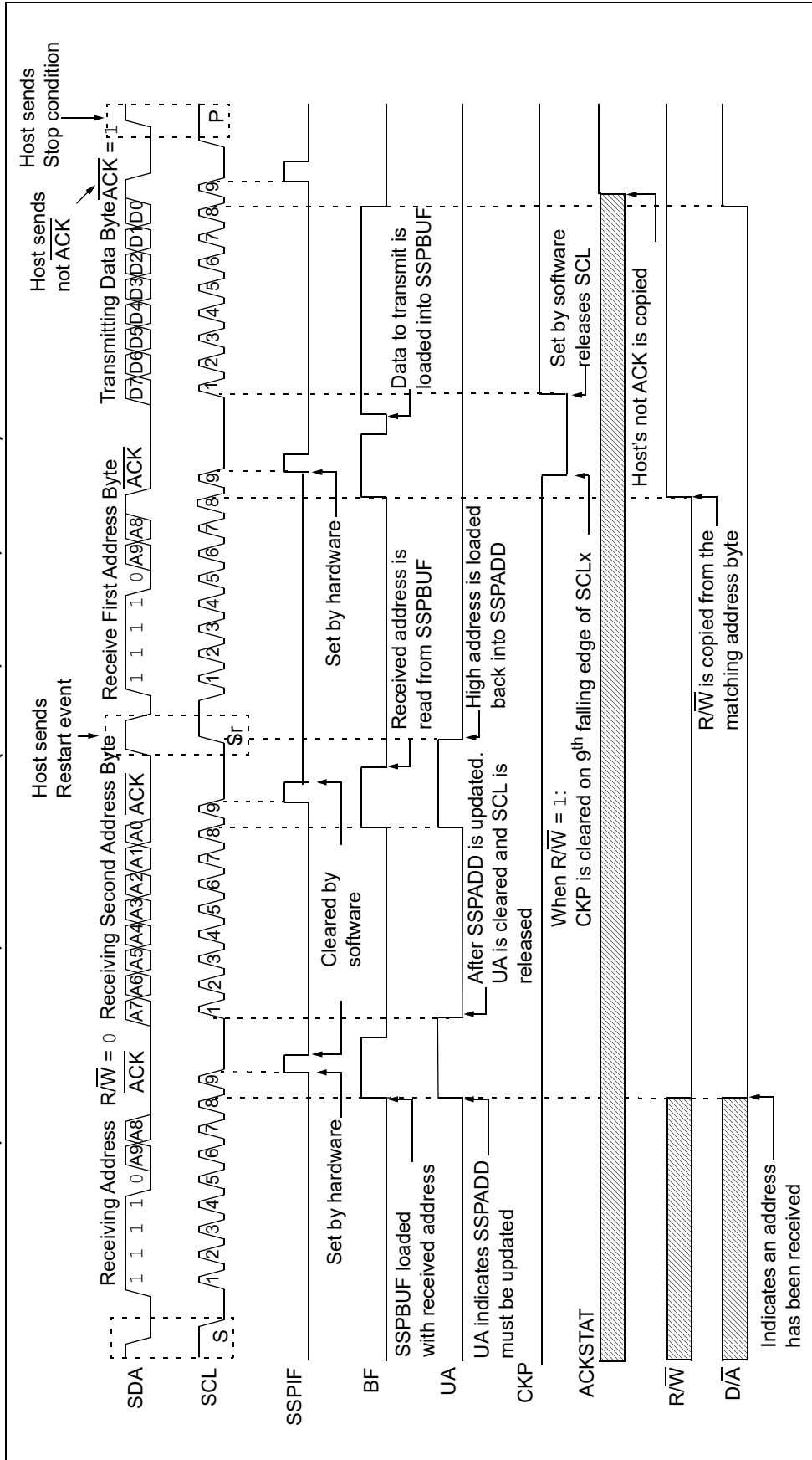


FIGURE 28-14: I<sup>2</sup>C CLIENT, 10-BIT ADDRESS, TRANSMISSION (SEN = 0, AHEN = 0, DHEN = 0)



# MCP19114/5

## 28.4.7 CLOCK STRETCHING

Clock stretching occurs when a device on the bus holds the SCL line low, effectively pausing communication. The Client may stretch the clock to allow more time to handle data or prepare a response for the host device. A host device is not concerned with stretching, as it is stretching anytime it is active on the bus and not transferring data. Any stretching done by a client is invisible to the host software and handled by the hardware that generates SCL.

The CKP bit in the SSPCON1 register is used to control stretching in software. Any time the CKP bit is cleared, the module will wait for the SCL line to go low and then hold it. Setting CKP will release SCL and allow more communication.

### 28.4.7.1 Normal Clock Stretching

Following an  $\overline{\text{ACK}}$ , if the  $\text{R}\overline{\text{W}}$  bit in the SSPSTAT register is set, causing a read request, the client hardware will clear CKP. This allows the client time to update SSPBUF with data to transfer to the host. If the SEN bit in the SSPCON2 register is set, the client hardware will always stretch the clock after the  $\overline{\text{ACK}}$  sequence. Once the client is ready, CKP is set by software and communication resumes.

**Note 1:** The BF bit has no effect on whether the clock will be stretched or not. This is different than previous versions of the module that would not stretch the clock or clear CKP if SSPBUF was read before the 9<sup>th</sup> falling edge of SCL.

**2:** Previous versions of the module did not stretch the clock for a transmission if SSPBUF was loaded before the 9<sup>th</sup> falling edge of SCL. It is now always cleared for read requests.

### 28.4.7.2 10-Bit Addressing Mode

In 10-bit Addressing mode, when the UA bit is set, the clock is always stretched. This is the only time the SCL is stretched without CKP being cleared. SCL is released immediately after a write to SSPADD.

**Note:** Previous versions of the module did not stretch the clock if the second address byte did not match.

### 28.4.7.3 Byte NACKing

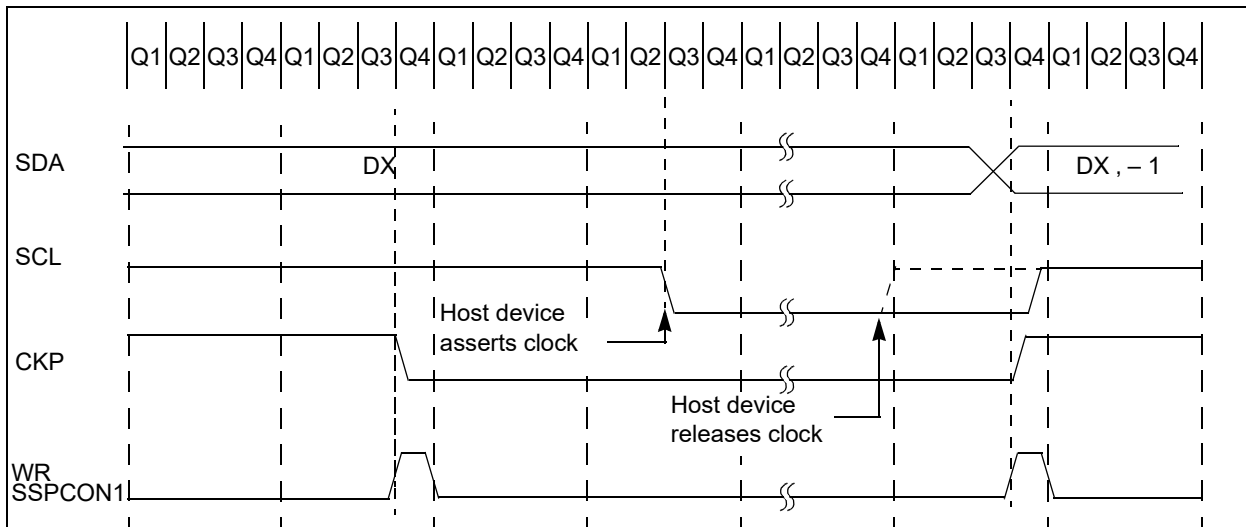
When AHEN bit in the SSPCON3 register is set, CKP is cleared by hardware after the 8<sup>th</sup> falling edge of SCL for a received matching address byte. When DHEN bit in the SSPCON3 register is set, CKP is cleared after the 8<sup>th</sup> falling edge of SCL for received data.

Stretching after the 8<sup>th</sup> falling edge of SCL allows the client to look at the received address or data and decide if it wants to ACK the received data.

## 28.4.8 CLOCK SYNCHRONIZATION AND THE CKP BIT

Any time the CKP bit is cleared, the module will wait for the SCL line to go low and then hold it. However, clearing the CKP bit will not assert the SCL output low until the SCL output is already sampled low. Therefore, the CKP bit will not assert the SCL line until an external I<sup>2</sup>C host device has already asserted the SCL line. The SCL output will remain low until the CKP bit is set and all other devices on the I<sup>2</sup>C bus have released SCL. This ensures that a write to the CKP bit will not violate the minimum high time requirement for SCL (refer to Figure 28-16).

**FIGURE 28-15: CLOCK SYNCHRONIZATION TIMING**



## 28.4.9 GENERAL CALL ADDRESS SUPPORT

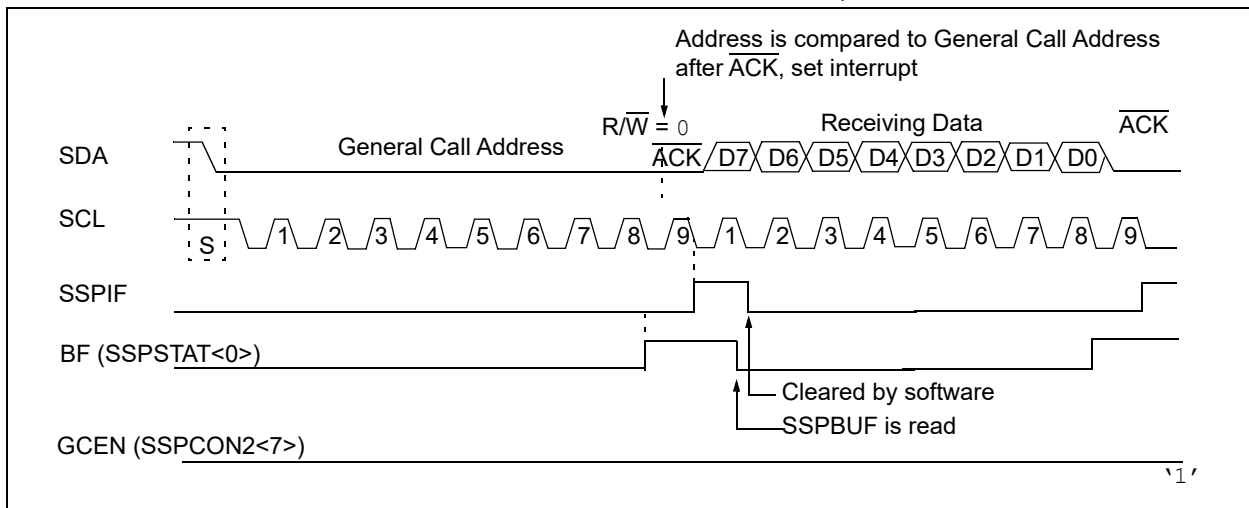
The addressing procedure for the I<sup>2</sup>C bus is such that the first byte after the Start condition usually determines which device will be the client addressed by the host device. The exception is the general call address which can address all devices. When this address is used, all devices should, in theory, respond with an acknowledge.

The general call address is a reserved address in the I<sup>2</sup>C protocol, defined as address 0x00. When the GCEN bit in the SSPCON2 register is set, the client module will automatically  $\overline{\text{ACK}}$  the reception of this address regardless of the value stored in SSPADD. After the client clocks in an address of all zeros with the R/W bit clear, an interrupt is generated and client software can read SSPBUF and respond. Figure 28-17 shows a general call reception sequence.

In 10-bit Address mode, the UA bit will not be set on the reception of the general call address. The client will prepare to receive the second byte as data, just as it would in 7-bit mode.

If the AHEN bit in the SSPCON3 register is set, just as with any other address reception, the client hardware will stretch the clock after the 8<sup>th</sup> falling edge of SCL. The client must then set its ACKDT value and release the clock with communication progressing as it would normally.

**FIGURE 28-16: CLIENT MODE GENERAL CALL ADDRESS SEQUENCE**



## 28.4.10 SSPMSK1 REGISTER

An SSP Mask (SSPMSK1) register is available in I<sup>2</sup>C Client mode as a mask for the value held in the SSPSR register during an address comparison operation. A zero ('0') bit in the SSPMSK1 register has the effect of making the corresponding bit of the received address a "don't care".

This register is reset to all '1's upon any Reset condition and, therefore, has no effect on standard SSP operation until written with a mask value.

The SSPMSK1 register is active during:

- 7-bit Address mode: address compare of A<7:1>.
- 10-bit Address mode: address compare of A<7:0> only. The SSP mask has no effect during the reception of the first (high) byte of the address.

## 28.5 I<sup>2</sup>C HOST MODE

Host mode is enabled by setting and clearing the appropriate SSPM bits in the SSPCON1 register and by setting the SSPEN bit. In Host mode, the SDA and SCK pins must be configured as inputs. The MSSP peripheral hardware will override the output driver TRIS controls when necessary, to drive the pins low.

The Host mode of operation is supported by interrupt generation on the detection of the Start and Stop conditions. The Stop (P) and Start (S) bits are cleared from a Reset or when the MSSP module is disabled. Control of the I<sup>2</sup>C bus may be taken when the P bit is set or the bus is idle.

In Firmware-Controlled Host mode, user code conducts all I<sup>2</sup>C bus operations based on Start and Stop bit condition detection. Start and Stop condition detection is the only active circuitry in this mode. All other communication is done by the user's software directly manipulating the SDA and SCL lines.

The following events will cause the SSP Interrupt Flag bit (SSPIF) to be set (SSP interrupt, if enabled):

- Start condition detected
- Stop condition detected
- Data transfer byte transmitted/received
- Acknowledge transmitted/received
- Repeated Start generated

**Note 1:** The MSSP module, when configured in I<sup>2</sup>C Host mode, does not allow queuing of events. For instance, the user is not allowed to initiate a Start condition and immediately write the SSPBUF register to initiate transmission before the Start condition is complete. In this case, the SSPBUF will not be written to and the WCOL bit will be set, indicating that a write to the SSPBUF did not occur.

- 2:** When in Host mode, Start/Stop detection is masked and an interrupt is generated when the SEN/PEN bit is cleared and the generation is complete.

### 28.5.1 I<sup>2</sup>C HOST MODE OPERATION

The host device generates all of the serial clock pulses and the Start and Stop conditions. A transfer is ended with a Stop condition or with a Repeated Start condition. Since the Repeated Start condition is also the beginning of the next serial transfer, the I<sup>2</sup>C bus will not be released.

In Host Transmit mode, serial data is output through SDA while SCL outputs the serial clock. The first byte transmitted contains the client address of the receiving device (7 bits) and the Read/Write (R/W) bit. In this case, the R/W bit will be logic '0'. Serial data is transmitted 8 bits at a time. After each byte is transmitted, an Acknowledge bit is received. Start and Stop conditions are output to indicate the beginning and the end of a serial transfer.

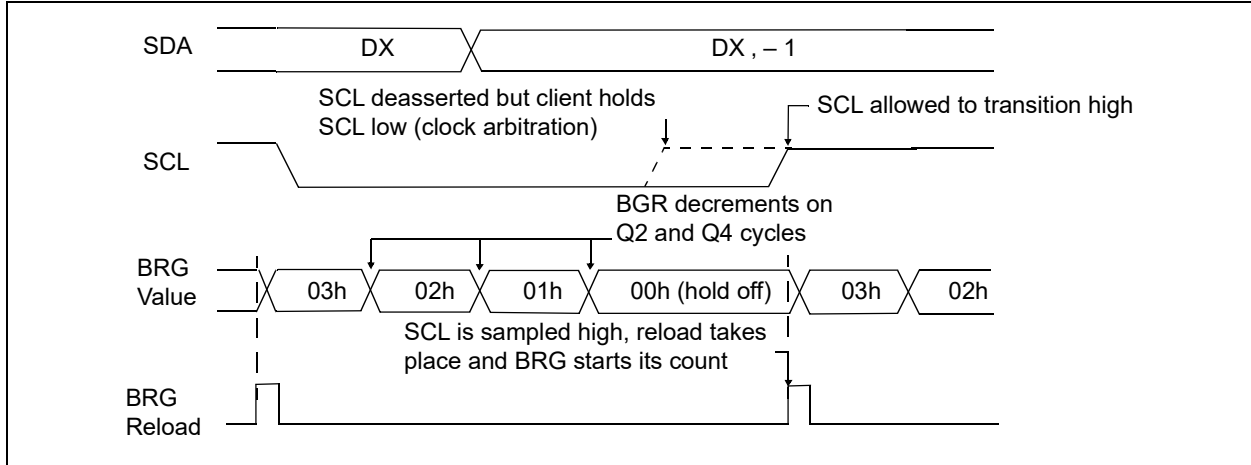
In Host Receive mode, the first byte transmitted contains the client address of the transmitting device (7 bits) and the R/W bit. In this case, the R/W bit will be logic '1'. Thus, the first byte transmitted is a 7-bit client address followed by a '1' to indicate the receive bit. Serial data is received via SDA, while SCL outputs the serial clock. Serial data is received 8 bits at a time. After each byte is received, an Acknowledge bit is transmitted. Start and Stop conditions indicate the beginning and end of transmission.

A Baud Rate Generator is used to set the clock frequency output on SCL. Refer to [Section 28.6 "Baud Rate Generator"](#) for more details.

### 28.5.2 CLOCK ARBITRATION

Clock arbitration occurs when the host, during any receive, transmit or Repeated Start/Stop condition, releases the SCL pin (SCL allowed to float high). When the SCL pin is allowed to float high, the Baud Rate Generator (BRG) is suspended from counting until the SCL pin is actually sampled high. When the SCL pin is sampled high, the Baud Rate Generator is reloaded with the contents of SSPADD<7:0> and begins counting. This ensures that the SCL high time will always be at least one BRG rollover count in the event that the clock is held low by an external device ([Figure 28-17](#)).

**FIGURE 28-17: BAUD RATE GENERATOR TIMING WITH CLOCK ARBITRATION**



### 28.5.3 WCOL STATUS FLAG

If the user writes the SSPBUF when a Start, Restart, Stop, Receive or Transmit sequence is in progress, the WCOL is set and the contents of the buffer are unchanged (the write does not occur). Any time the WCOL bit is set, it indicates that an action on SSPBUF was attempted while the module was not idle.

**Note:** Because queuing of events is not allowed, writing to the lower 5 bits in the SSPCON2 register is disabled until the Start condition is complete.

of the SDA being driven low while SCL is high is the Start condition and causes the S bit in the SSPSTAT1 register to be set. Following this, the Baud Rate Generator is reloaded with the contents of SSPADD<7:0> and resumes its count. When the Baud Rate Generator times out ( $T_{BRG}$ ), the SEN bit in the SSPCON2 register will be automatically cleared by hardware; the Baud Rate Generator is suspended, leaving the SDA line held low and the Start condition is complete.

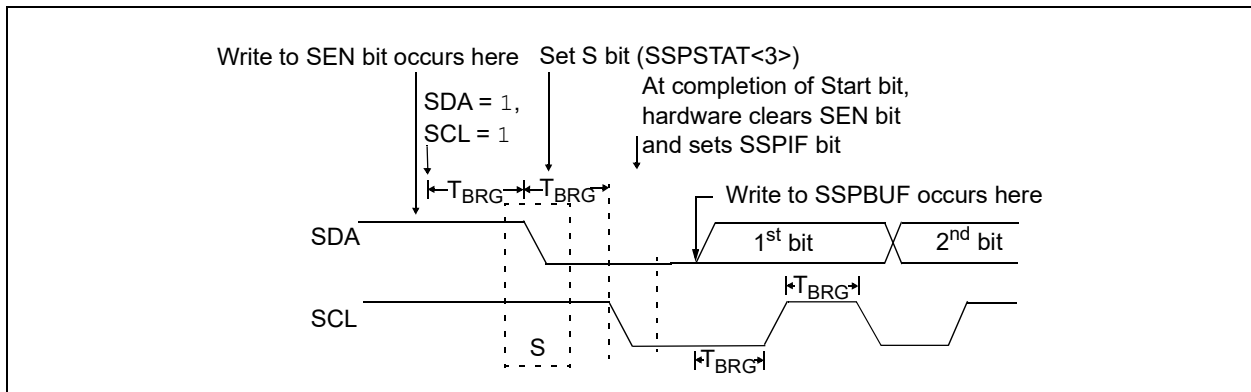
**Note 1:** If, at the beginning of the Start condition, the SDA and SCL pins are already sampled low, or if, during the Start condition, the SCL line is sampled low before the SDA line is driven low, a bus collision occurs, the Bus Collision Interrupt Flag, BCLIF, is set, the Start condition is aborted and the I<sup>2</sup>C module is reset into its idle state.

**2:** The Philips I<sup>2</sup>C Specification states that a bus collision cannot occur on a Start.

### 28.5.4 I<sup>2</sup>C HOST MODE START CONDITION TIMING

To initiate a Start condition, the user sets the Start Enable bit, SEN, in the SSPCON2 register. If the SDA and SCL pins are sampled high, the Baud Rate Generator is reloaded with the contents of SSPADD<7:0> and starts its count. If SCL and SDA are both sampled high when the Baud Rate Generator times out ( $T_{BRG}$ ), the SDA pin is driven low. The action

**FIGURE 28-18: FIRST START BIT TIMING**



# MCP19114/5

## 28.5.5 I<sup>2</sup>C HOST MODE REPEATED START CONDITION TIMING

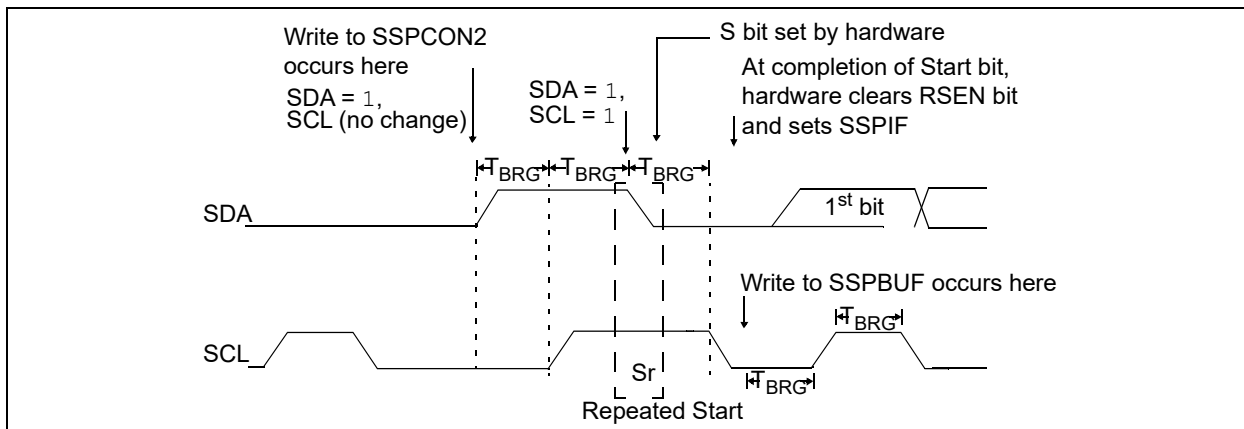
A Repeated Start condition occurs when the RSEN bit in the SSPCON2 register is programmed high and the Host state machine is no longer active. When the RSEN bit is set, the SCL pin is asserted low. When the SCL pin is sampled low, the Baud Rate Generator is loaded and begins counting. The SDA pin is released (brought high) for one Baud Rate Generator count ( $T_{BRG}$ ). When the Baud Rate Generator times out, if SDA is sampled high, the SCL pin will be deasserted (brought high). When SCL is sampled high, the Baud Rate Generator is reloaded and begins counting. SDA and SCL must be sampled high for one  $T_{BRG}$ . This action is then followed by assertion of the SDA pin ( $SDA = 0$ ) for one  $T_{BRG}$  while SCL is high. SCL is asserted low. Following this, the RSEN bit in the SSPCON2 register will be automatically cleared and the Baud Rate Generator will not be reloaded, leaving the SDA pin held low. As soon as a Start condition is detected on the SDA and SCL pins, the S bit in the SSPSTAT register will be set. The SSPIF bit will not be set until the Baud Rate Generator has timed out.

**Note 1:** If RSEN is programmed while any other event is in progress, it will not take effect.

**2:** A bus collision during the Repeated Start condition occurs if:

- SDA is sampled low when SCL goes from low to high.
- SCL goes low before SDA is asserted low. This may indicate that another host is attempting to transmit a data '1'.

**FIGURE 28-19: REPEAT START CONDITION WAVEFORM**



### 28.5.6 I<sup>2</sup>C HOST MODE TRANSMISSION

Transmission of a data byte, a 7-bit address or the other half of a 10-bit address is accomplished by simply writing a value to the SSPBUF register. This action will set the Buffer Full (BF) flag bit and allow the Baud Rate Generator to begin counting and start the next transmission. Each bit of address/data will be shifted out onto the SDA pin after the falling edge of SCL is asserted. SCL is held low for one Baud Rate Generator rollover count ( $T_{BRG}$ ). Data should be valid before SCL is released high. When the SCL pin is released high, it is held that way for  $T_{BRG}$ . The data on the SDA pin must remain stable for that duration and some hold time after the next falling edge of SCL. After the 8<sup>th</sup> bit is shifted out (the falling edge of the 8<sup>th</sup> clock), the BF flag is cleared and the host releases the SDA. This allows the client device being addressed to respond with an  $\overline{ACK}$  bit during the 9<sup>th</sup> bit time if an address match occurred or if data was received properly. The status of  $\overline{ACK}$  is written into the ACKSTAT bit on the rising edge of the 9<sup>th</sup> clock. If the host receives an Acknowledge, the Acknowledge Status bit (ACKSTAT) is cleared. If not, the bit is set. After the 9<sup>th</sup> clock, the SSPIF bit is set and the host clock (Baud Rate Generator) is suspended until the next data byte is loaded into the SSPBUF, leaving SCL low and SDA unchanged (Figure 28-20).

After the write to the SSPBUF, each bit of the address will be shifted out on the falling edge of SCL until all seven address bits and the R/W bit are completed. On the falling edge of the 8<sup>th</sup> clock, the host will release the SDA pin, allowing the client to respond with an Acknowledge. On the falling edge of the 9<sup>th</sup> clock, the host will sample the SDA pin to see if the address was recognized by a client. The status of the  $\overline{ACK}$  bit is loaded into the ACKSTAT status bit in the SSPCON2 register. Following the falling edge of the 9<sup>th</sup> clock transmission of the address, the SSPIF is set, the BF flag is cleared and the Baud Rate Generator is turned off until another write to the SSPBUF takes place, holding SCL low and allowing SDA to float.

#### 28.5.6.1 BF Status Flag

In Transmit mode, the BF bit in the SSPSTAT register is set when the CPU writes to SSPBUF and is cleared when all 8 bits are shifted out.

#### 28.5.6.2 WCOL Status Flag

If the user writes the SSPBUF when a transmit is already in progress (i.e., SSPSR is still shifting out a data byte), the WCOL is set and the contents of the buffer are unchanged (the write does not occur).

WCOL must be cleared by software before the next transmission.

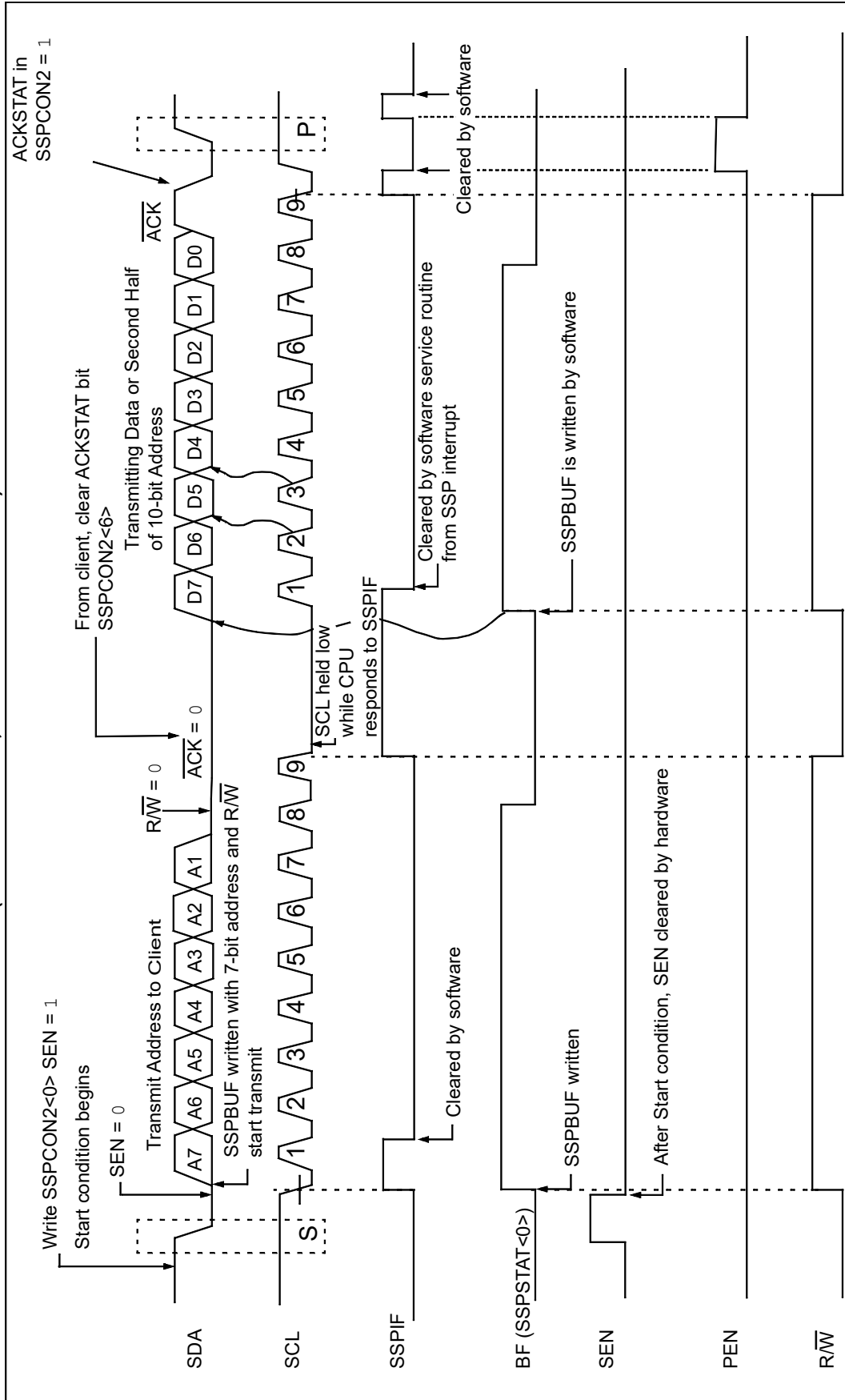
#### 28.5.6.3 ACKSTAT Status Flag

In Transmit mode, the ACKSTAT bit in the SSPCON2 register is cleared when the client has sent an Acknowledge ( $\overline{ACK} = 0$ ) and is set when the client does not Acknowledge ( $\overline{ACK} = 1$ ). A client sends an Acknowledge when it has recognized its address (including a general call) or when the client has properly received its data.

#### 28.5.6.4 Typical Transmit Sequence:

1. The user generates a Start condition by setting the SEN bit in the SSPCON2 register.
2. SSPIF is set by hardware on completion of the Start.
3. SSPIF is cleared by software.
4. The MSSP module will wait the required start time before any other operation takes place.
5. The user loads the SSPBUF with the client address to transmit.
6. Address is shifted out the SDA pin until all 8 bits are transmitted. Transmission begins as soon as SSPBUF is written to.
7. The MSSP module shifts in the  $\overline{ACK}$  bit from the client device and writes its value into the ACKSTAT bit in the SSPCON2 register.
8. The MSSP module generates an interrupt at the end of the 9<sup>th</sup> clock cycle by setting the SSPIF bit.
9. The user loads the SSPBUF with 8 bits of data.
10. Data is shifted out the SDA pin until all 8 bits are transmitted.
11. The MSSP module shifts in the  $\overline{ACK}$  bit from the client device and writes its value into the ACKSTAT bit in the SSPCON2 register.
12. Steps 8-11 are repeated for all transmitted data bytes.
13. The user generates a Stop or Restart condition by setting the PEN or RSEN bits in the SSPCON2 register. Interrupt is generated once the Stop/Restart condition is complete.

**FIGURE 28-20: I<sup>2</sup>C HOST MODE WAVEFORM (TRANSMISSION, 7 OR 10-BIT ADDRESS)**



### 28.5.7 I<sup>2</sup>C HOST MODE RECEPTION

Host mode reception is enabled by programming the Receive Enable (RCEN) bit in the SSPCON2 register.

**Note:** The MSSP module must be in an idle state before the RCEN bit is set or the RCEN bit will be disregarded.

The Baud Rate Generator begins counting and, upon each rollover, the state of the SCL pin changes (high-to-low/low-to-high) and data is shifted into the SSPSR. After the falling edge of the 8<sup>th</sup> clock, the receive enable flag is automatically cleared, the contents of the SSPSR are loaded into the SSPBUF, the BF flag bit is set, the SSPIF flag bit is set and the Baud Rate Generator is suspended from counting, holding SCL low. The MSSP is now in idle state awaiting the next command. When the buffer is read by the CPU, the BF flag bit is automatically cleared. The user can then send an Acknowledge bit at the end of reception by setting the Acknowledge Sequence Enable (ACKEN) bit in the SSPCON2 register.

#### 28.5.7.1 BF Status Flag

In receive operation, the BF bit is set when an address or data byte is loaded into SSPBUF from SSPSR. It is cleared when the SSPBUF register is read.

#### 28.5.7.2 SSPOV Status Flag

In receive operation, the SSPOV bit is set when 8 bits are received into the SSPSR and the BF flag bit is already set from a previous reception.

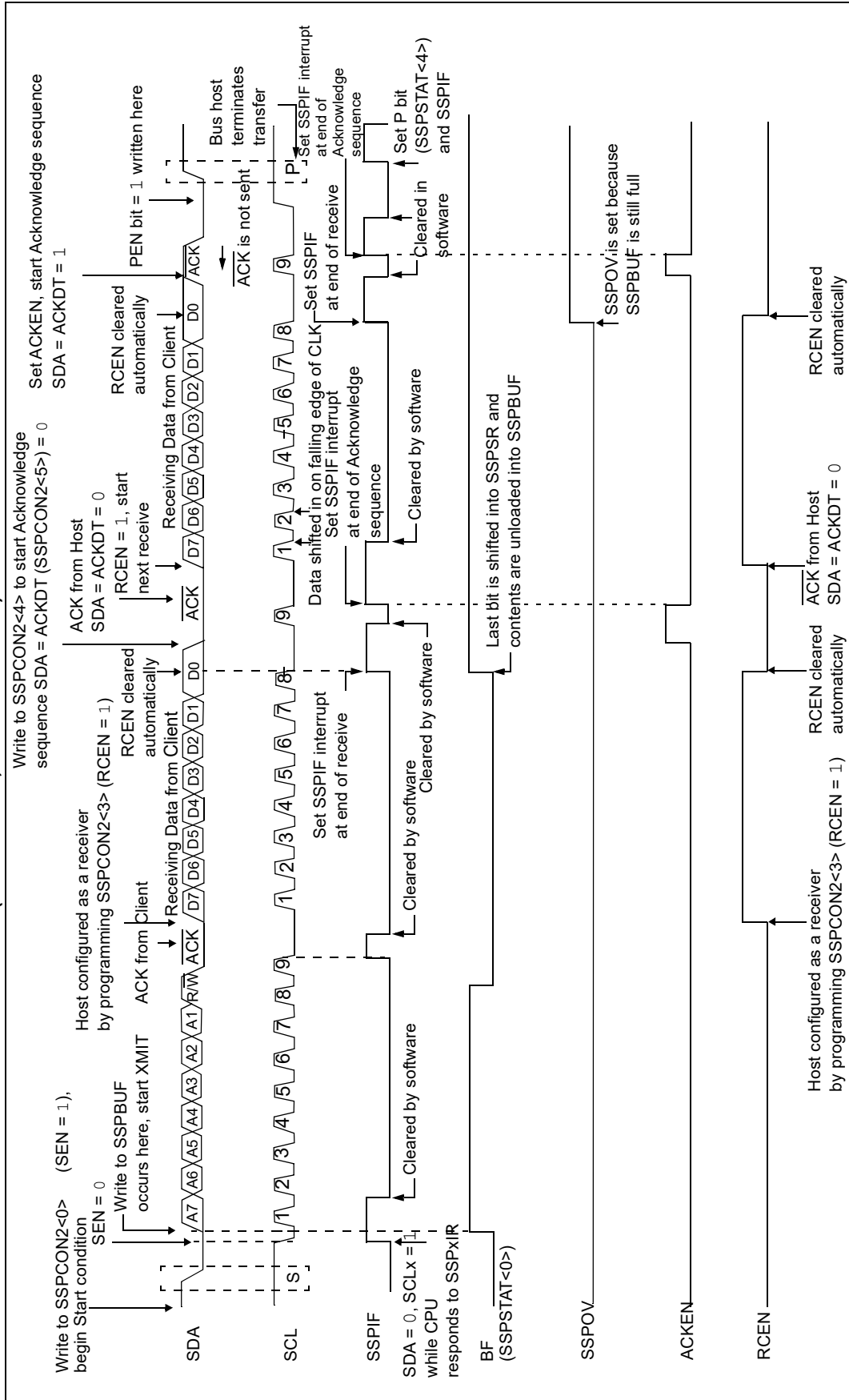
#### 28.5.7.3 WCOL Status Flag

If the user writes the SSPBUF when a receive is already in progress (i.e., SSPSR is still shifting in a data byte), the WCOL bit is set and the contents of the buffer are unchanged (the write does not occur).

#### 28.5.7.4 Typical Receive Sequence:

1. The user generates a Start condition by setting the SEN bit in the SSPCON2 register.
2. SSPIF is set by hardware on completion of the Start.
3. SSPIF is cleared by software.
4. User writes SSPBUF with the client address to transmit and the R/W bit set.
5. Address is shifted out the SDA pin until all 8 bits are transmitted. Transmission begins as soon as SSPBUF is written to.
6. The MSSP module shifts in the  $\overline{ACK}$  bit from the client device and writes its value into the ACKSTAT bit in the SSPCON2 register.
7. The MSSP module generates an interrupt at the end of the 9<sup>th</sup> clock cycle by setting the SSPIF bit.
8. User sets the RCEN bit in the SSPCON2 register and the Host clocks in a byte from the client.
9. After the 8<sup>th</sup> falling edge of SCL, SSPIF and BF are set.
10. Host clears SSPIF and reads the received byte from SSPBUF, then clears BF.
11. Host sets  $\overline{ACK}$  value sent to client in ACKDT bit in the SSPCON2 register and initiates the ACK by setting the ACKEN bit.
12. Host's  $\overline{ACK}$  is clocked out to the Client and SSPIF is set.
13. The user clears SSPIF.
14. Steps 8-13 are repeated for each received byte from the client.
15. Host sends a not  $\overline{ACK}$  or Stop to end communication.

**FIGURE 28-21: I<sup>2</sup>C HOST MODE WAVEFORM (RECEPTION, 7-BIT ADDRESS)**



## 28.5.8 ACKNOWLEDGE SEQUENCE TIMING

An Acknowledge sequence is enabled by setting the Acknowledge Sequence Enable (ACKEN) bit in the SSPCON2 register. When this bit is set, the SCL pin is pulled low and the contents of the Acknowledge data bit are presented on the SDA pin. If the user wishes to generate an Acknowledge, then the ACKDT bit should be cleared. If not, the user should set the ACKDT bit before starting an Acknowledge sequence. The Baud Rate Generator then counts for one rollover period ( $T_{BRG}$ ) and the SCL pin is deasserted (pulled high). When the SCL pin is sampled high (clock arbitration), the Baud Rate Generator counts for  $T_{BRG}$ . The SCL pin is then pulled low. Following this, the ACKEN bit is automatically cleared, the Baud Rate Generator is turned off and the MSSP module then goes into Idle mode (Figure 28-22).

### 28.5.8.1 WCOL Status Flag

If the user writes the SSPBUF when an Acknowledge sequence is in progress, WCOL is set and the contents of the buffer are unchanged (the write does not occur).

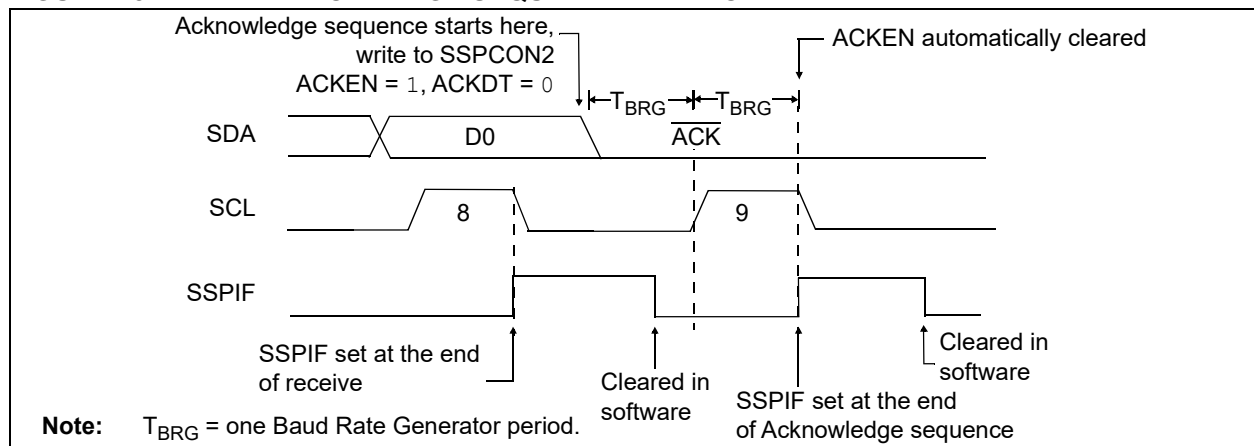
## 28.5.9 STOP CONDITION TIMING

A Stop bit is asserted on the SDA pin at the end of a receive/transmit by setting the Stop Sequence Enable bit, PEN, in the SSPCON2 register. At the end of a receive/transmit, the SCL line is held low after the falling edge of the 9<sup>th</sup> clock. When the PEN bit is set, the host will assert the SDA line low. When the SDA line is sampled low, the Baud Rate Generator is reloaded and counts down to '0'. When the Baud Rate Generator times out, the SCL pin will be brought high and then, one  $T_{BRG}$  (Baud Rate Generator rollover count) later, the SDA pin will be deasserted. When the SDA pin is sampled high while SCL is high, the P bit in the SSPSTAT register, is set. A  $T_{BRG}$  later, the PEN bit is cleared and the SSPIF bit is set (Figure 28-23).

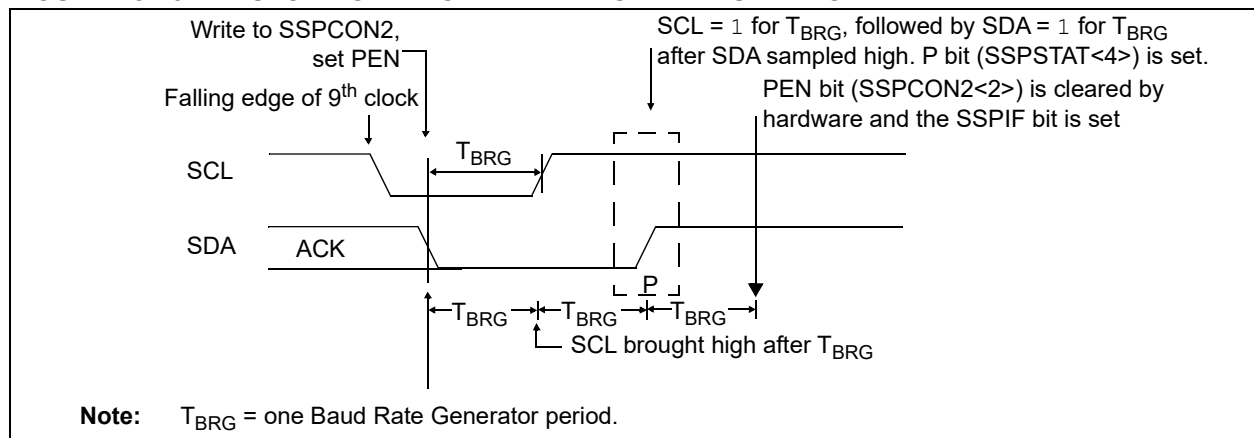
### 28.5.9.1 WCOL Status Flag

If the user writes the SSPBUF when a Stop sequence is in progress, the WCOL bit is set and the contents of the buffer are unchanged (the write does not occur).

**FIGURE 28-22: ACKNOWLEDGE SEQUENCE WAVEFORM**



**FIGURE 28-23: STOP CONDITION RECEIVE OR TRANSMIT MODE**



# MCP19114/5

## 28.5.10 SLEEP OPERATION

While in Sleep mode, the I<sup>2</sup>C client module can receive addresses or data and, when an address match or complete byte transfer occurs, wake the processor from Sleep (if the MSSP interrupt is enabled).

## 28.5.11 EFFECTS OF A RESET

A Reset disables the MSSP module and terminates the current transfer.

## 28.5.12 MULTI-HOST MODE

In Multi-Host mode, the interrupt generation on the detection of the Start and Stop conditions allows the determination of when the bus is free. The Stop (P) and Start (S) bits are cleared from a Reset or when the MSSPx module is disabled. Control of the I<sup>2</sup>C bus may be taken when the P bit in the SSPSTAT register is set or the bus is idle, with both the S and P bits clear. When the bus is busy, enabling the SSP interrupt will generate the interrupt when the Stop condition occurs.

In multi-host operation, the SDA line must be monitored for arbitration to see if the signal level is the expected output level. This check is performed by hardware with the result placed in the BCLIF bit.

The states where arbitration can be lost are:

- Address Transfer
- Data Transfer
- A Start Condition
- A Repeated Start Condition
- An Acknowledge Condition

## 28.5.13 MULTI-HOST COMMUNICATION, BUS COLLISION AND BUS ARBITRATION

Multi-Host mode support is achieved by bus arbitration. When the host outputs address/data bits onto the SDA pin, arbitration takes place when the host outputs a '1' on SDA by letting SDA float high, and another host asserts a '0'. When the SCL pin floats high, data should be stable. If the expected data on SDA is a '1' and the data sampled on the SDA pin is '0', a bus collision has taken place. The host will set the Bus Collision Interrupt Flag (BCLIF) and reset the I<sup>2</sup>C port to its Idle state (Figure 28-24).

If a transmit was in progress when the bus collision occurred, the transmission is halted, the BF flag is cleared, the SDA and SCL lines are deasserted and the SSPBUF can be written to. When the user services the bus collision Interrupt Service Routine and if the I<sup>2</sup>C bus is free, the user can resume communication by asserting a Start condition.

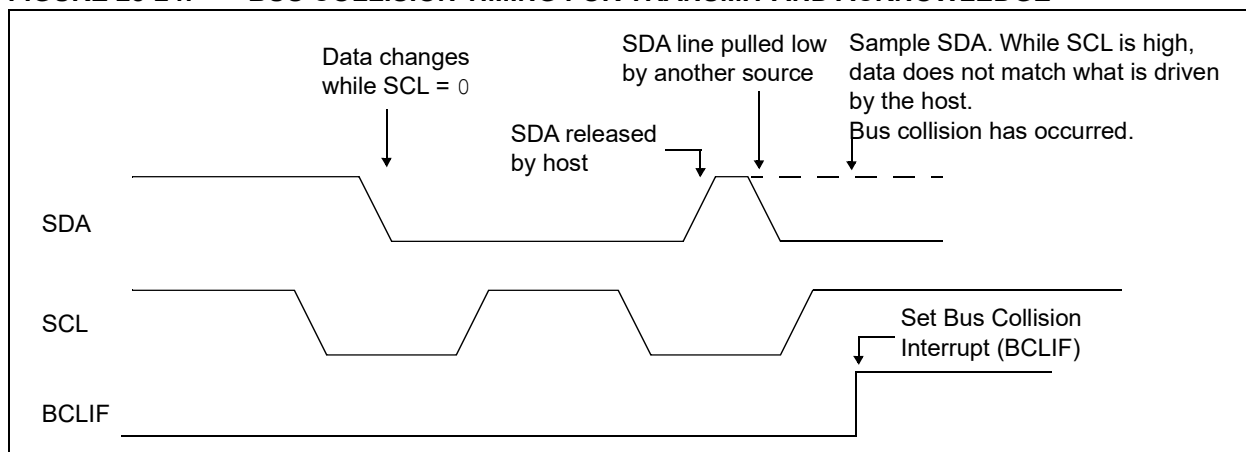
If a Start, Repeated Start, Stop or Acknowledge condition was in progress when the bus collision occurred, the condition is aborted, the SDA and SCL lines are deasserted and the respective control bits in the SSPCON2 register are cleared. When the user services the bus collision Interrupt Service Routine and if the I<sup>2</sup>C bus is free, the user can resume communication by asserting a Start condition.

The host will continue to monitor the SDA and SCL pins. If a Stop condition occurs, the SSPIF bit will be set.

A write to the SSPBUF will start the transmission of data at the first data bit, regardless of where the transmitter left off when the bus collision occurred.

In Multi-Host mode, the interrupt generation on the detection of Start and Stop conditions allows the determination of when the bus is free. Control of the I<sup>2</sup>C bus can be taken when the P bit is set in the SSPSTAT register, or the bus is idle and the S and P bits are cleared.

**FIGURE 28-24: BUS COLLISION TIMING FOR TRANSMIT AND ACKNOWLEDGE**



## 28.5.13.1 Bus Collision During a Start Condition

During a Start condition, a bus collision occurs if:

- SDA or SCL are sampled low at the beginning of the Start condition (Figure 28-25)
- SCL is sampled low before SDA is asserted low (Figure 28-26)

During a Start condition, both the SDA and the SCL pins are monitored.

If the SDA pin is already low or the SCL pin is already low, all of the following occur:

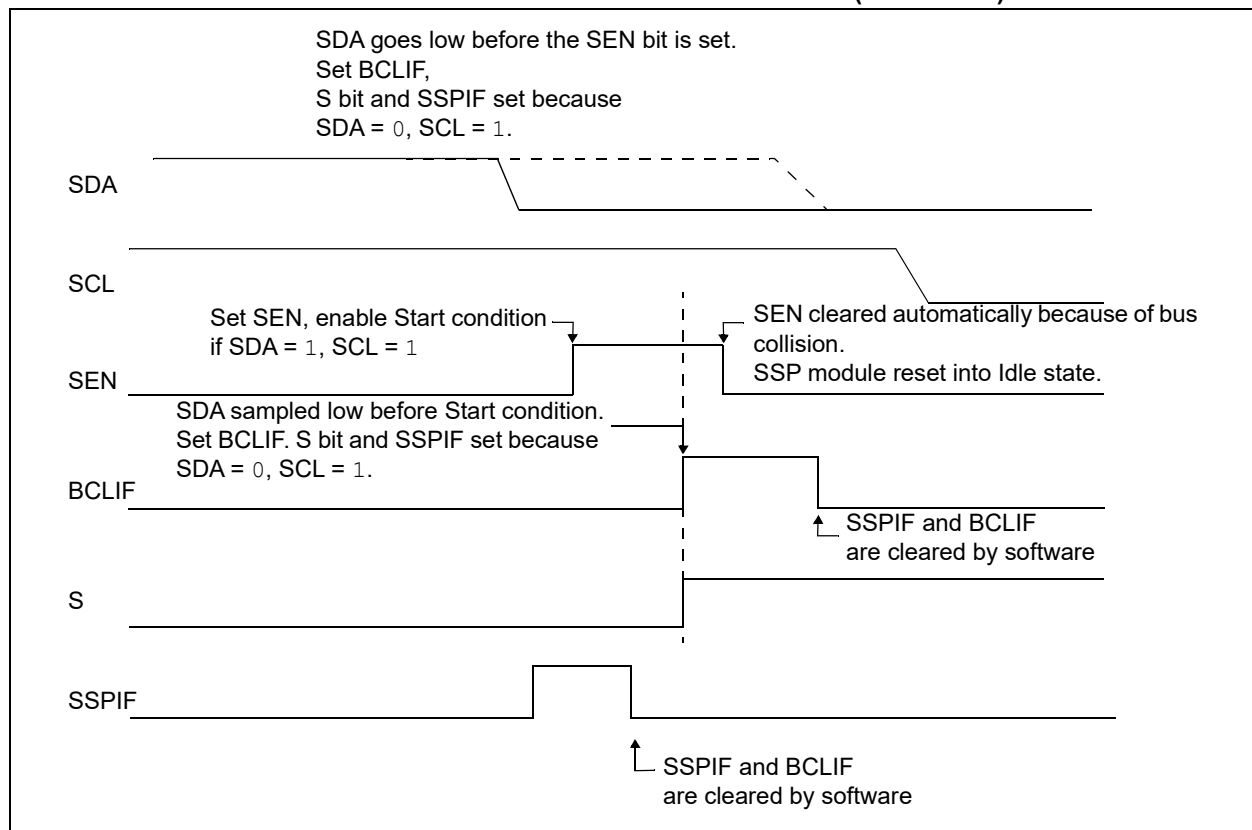
- the Start condition is aborted
- the BCLIF flag is set and
- the MSSP module is reset to its Idle state (Figure 28-25)

The Start condition begins with the SDA and SCL pins deasserted. When the SDA pin is sampled high, the Baud Rate Generator is loaded and counts down. If the SCL pin is sampled low while SDA is high, a bus collision occurs because it is assumed that another host is attempting to drive a data '1' during the Start condition.

If the SDA pin is sampled low during this count, the BRG is reset and the SDA line is asserted early (Figure 28-27). If, however, a '1' is sampled on the SDA pin, the SDA pin is asserted low at the end of the BRG count. The Baud Rate Generator is then reloaded and counts down to zero; if the SCL pin is sampled as '0' during this time, a bus collision does not occur. At the end of the BRG count, the SCL pin is asserted low.

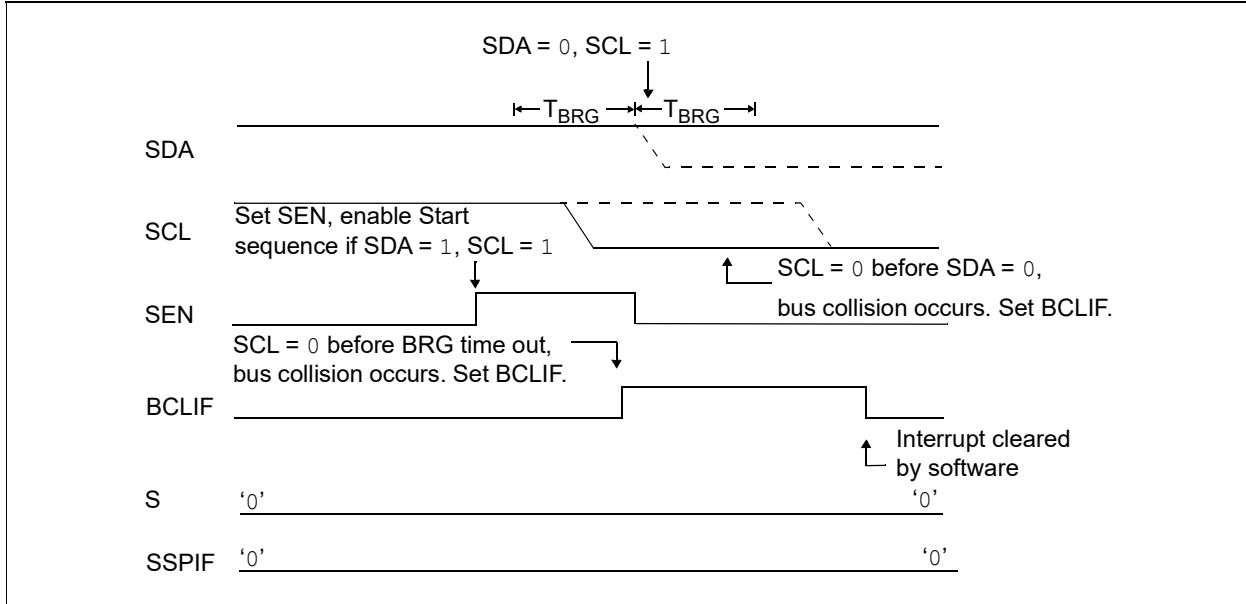
**Note:** The reason why bus collision is not a factor during a Start condition is that no two bus hosts can assert a Start condition at the exact same time. Therefore, one host will always assert SDA before the other. This condition does not cause a bus collision because the two hosts must be allowed to arbitrate the first address following the Start condition. If the address is the same, arbitration must be allowed to continue into the data portion, Repeated Start or Stop conditions.

**FIGURE 28-25: BUS COLLISION DURING A START CONDITION (SDA ONLY)**

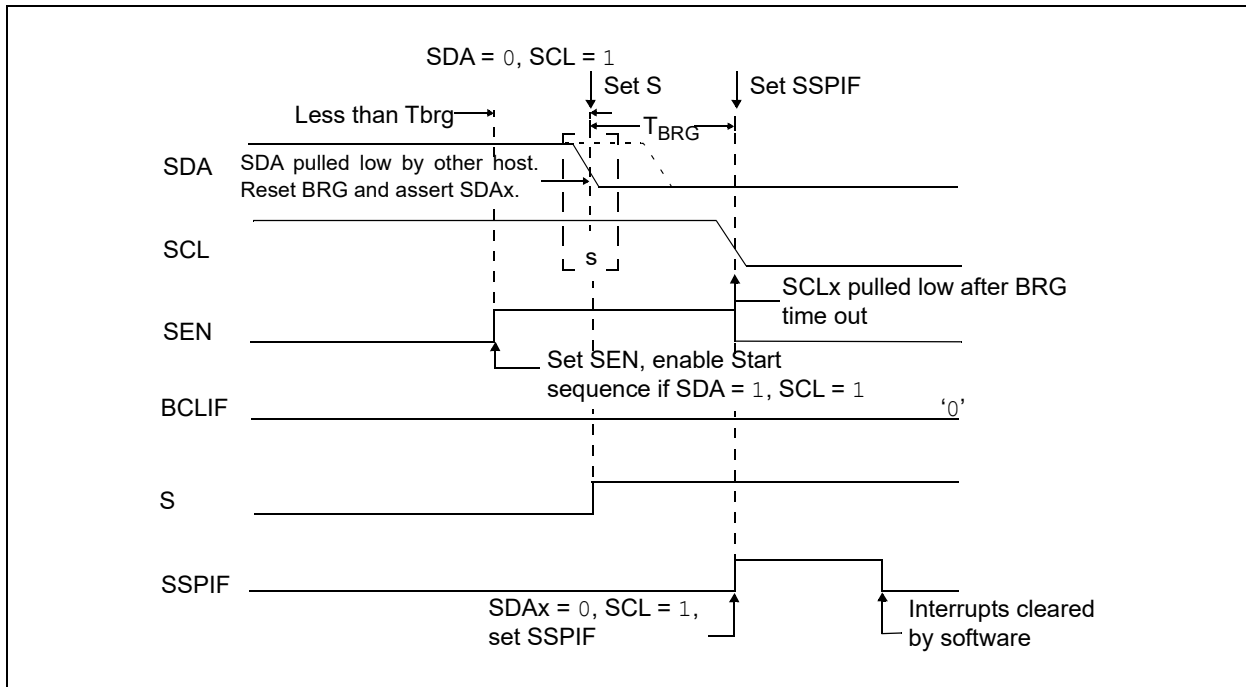


# MCP19114/5

**FIGURE 28-26: BUS COLLISION DURING A START CONDITION (SCL = 0)**



**FIGURE 28-27: BRG RESET DUE TO SDA ARBITRATION DURING START CONDITION**



## 28.5.13.2 Bus Collision During a Repeated Start Condition

During a Repeated Start condition, a bus collision occurs if:

- A low level is sampled on SDA when SCL goes from low level to high level
- SCL goes low before SDA is asserted low, indicating that another host is attempting to transmit a data '1'

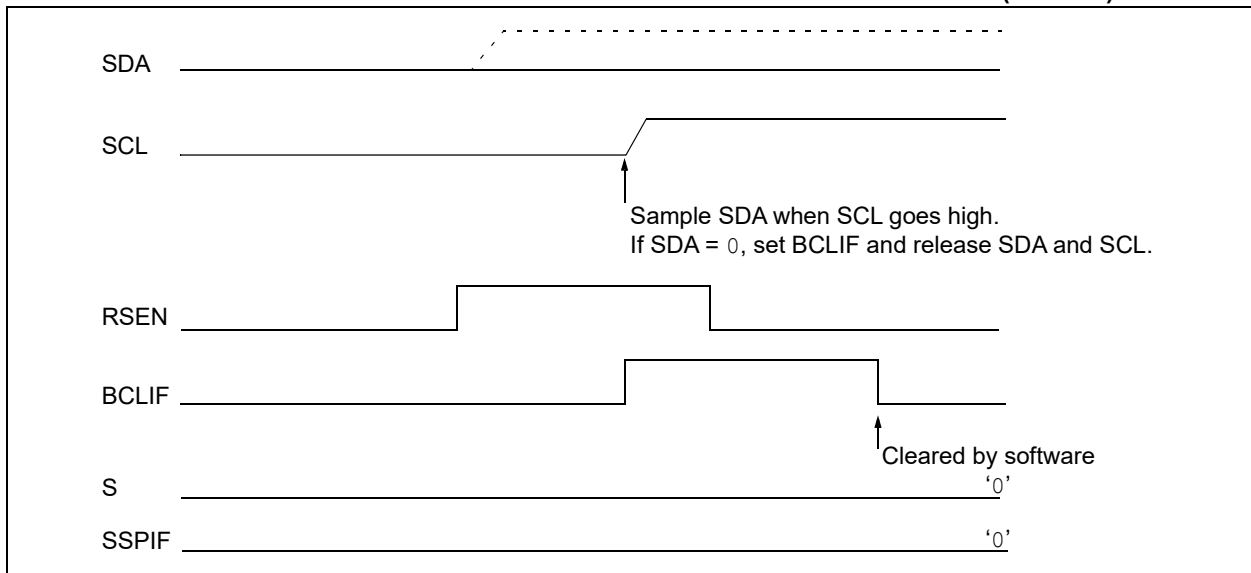
When the user releases SDA and the pin is allowed to float high, the BRG is loaded with SSPADD and counts down to zero. The SCL pin is then deasserted and, when sampled high, the SDA pin is sampled.

If SDA is low, a bus collision has occurred (i.e., another host is attempting to transmit a data '0', [Figure 28-28](#)). If SDA is sampled high, the BRG is reloaded and begins counting. If SDA goes from high to low before the BRG times out, no bus collision occurs because no two hosts can assert SDA at exactly the same time.

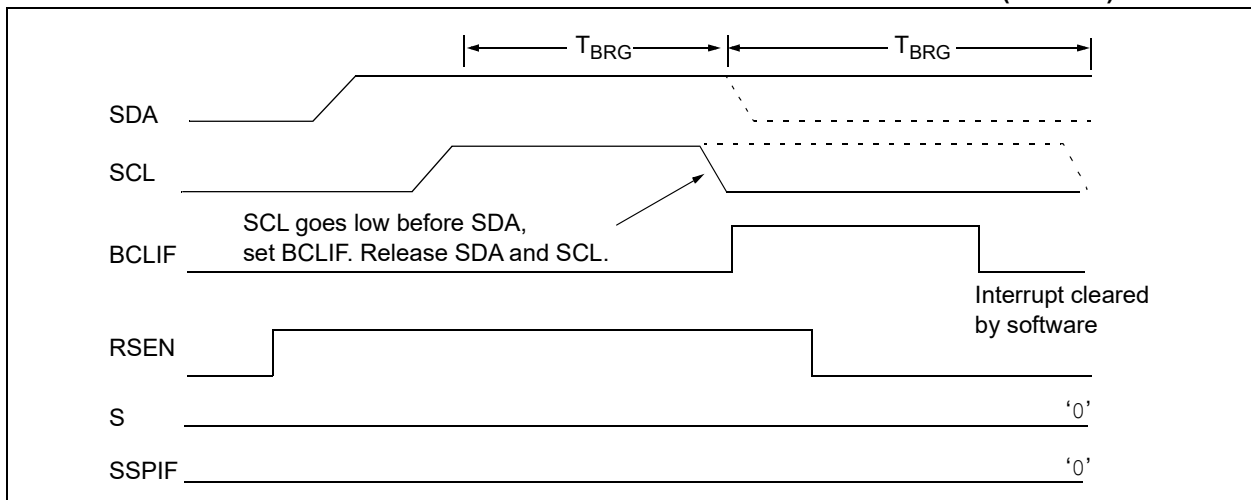
If SCL goes from high to low before the BRG times out and SDA has not already been asserted, a bus collision occurs. In this case, another host is attempting to transmit a data '1' during the Repeated Start condition (refer to [Figure 28-29](#)).

If, at the end of the BRG time out, both SCL and SDA are still high, the SDA pin is driven low and the BRG is reloaded and begins counting. At the end of the count, regardless of the status of the SCL pin, the SCL pin is driven low and the Repeated Start condition is complete.

**FIGURE 28-28: BUS COLLISION DURING A REPEATED START CONDITION (CASE 1)**



**FIGURE 28-29: BUS COLLISION DURING A REPEATED START CONDITION (CASE 2)**



# MCP19114/5

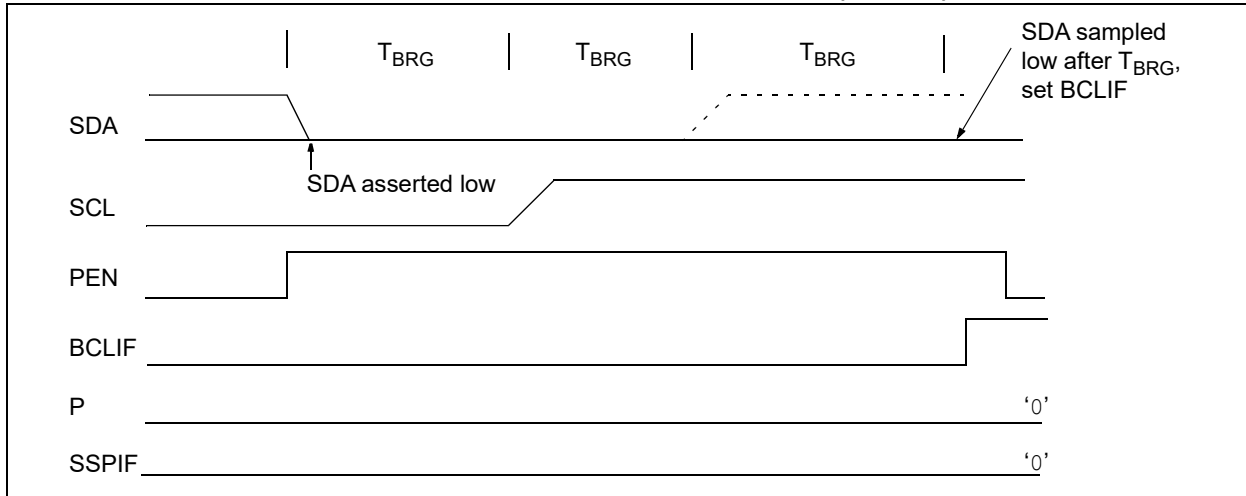
## 28.5.13.3 Bus Collision During a Stop Condition

Bus collision occurs during a Stop condition if:

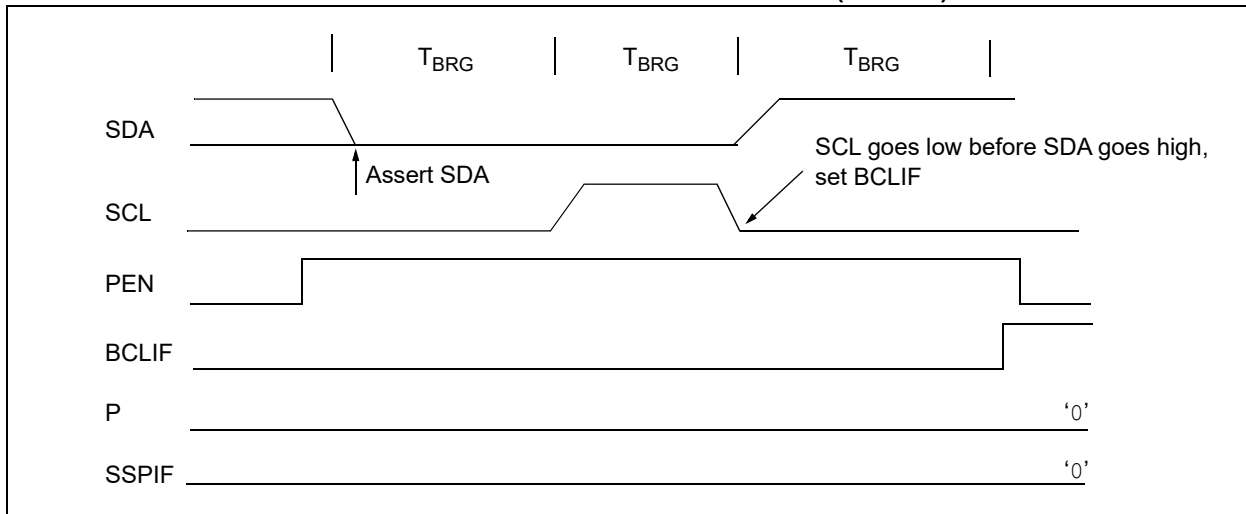
- a) After the SDA pin has been deasserted and allowed to float high, SDA is sampled low after the BRG has timed out.
- b) After the SCL pin is deasserted, SCL is sampled low before SDA goes high.

The Stop condition begins with SDA asserted low. When SDA is sampled low, the SCL pin is allowed to float. When the pin is sampled high (clock arbitration), the Baud Rate Generator is loaded with SSPADD and counts down to 0. After the BRG times out, SDA is sampled. If SDA is sampled low, a bus collision has occurred. This is due to another host attempting to drive a data '0' (Figure 28-30). If the SCL pin is sampled low before SDA is allowed to float high, a bus collision occurs. This is another case of another host attempting to drive a data '0' (Figure 28-31).

**FIGURE 28-30: BUS COLLISION DURING A STOP CONDITION (CASE 1)**



**FIGURE 28-31: BUS COLLISION DURING A STOP CONDITION (CASE 2)**



**TABLE 28-2: SUMMARY OF REGISTERS ASSOCIATED WITH I<sup>2</sup>C OPERATION**

Name	Bit 7	Bit 6	Bit 5	Bit 4	Bit 3	Bit 2	Bit 1	Bit 0	Reset Values on Page:
INTCON	GIE	PEIE	T0IE	INTE	IOCE	T0IF	INTF	IOCF	95
PIE1	—	ADIE	BCLIE	SSPIE	CC2IE	CC1IE	TMR2IE	TMR1IE	96
PIR1	—	ADIF	BCLIF	SSPIF	CC2IF	CC1IF	TMR2IF	TMR1IF	98
TRISGPA	TRISA7	TRISA6	TRISA5	—	TRISA3	TRISA2	TRISA1	TRISA0	113
TRISGPB	TRISB7	TRISB6	TRISB5	TRISB4	—	—	TRISB1	TRISB0	118
SSPADD	ADD7	ADD6	ADD5	ADD4	ADD3	ADD2	ADD1	ADD0	196
SSPBUF	Synchronous Serial Port Receive Buffer/Transmit Register								155*
SSPCON1	WCOL	SSPOV	SSPEN	CKP	SSPM3	SSPM2	SSPM1	SSPM0	192
SSPCON2	GCEN	ACKSTAT	ACKDT	ACKEN	RCEN	PEN	RSEN	SEN	194
SSPCON3	ACKTIM	PCIE	SCIE	BOEN	SDAHT	SBCDE	AHEN	DHEN	195
SSPMSK1	MSK7	MSK6	MSK5	MSK4	MSK3	MSK2	MSK1	MSK0	196
SSPSTAT	SMP	CKE	D $\bar{A}$	P	S	R $\bar{W}$	UA	BF	191
SSPMSK2	MSK27	MSK26	MSK25	MSK24	MSK23	MSK22	MSK21	MSK20	197
SSPADD2	ADD27	ADD26	ADD25	ADD24	ADD23	ADD22	ADD21	ADD20	197

**Legend:** — = unimplemented, read as '0'. Shaded cells are not used by the MSSP module in I<sup>2</sup>C mode.

\* Page provides register information.

# MCP19114/5

## 28.6 Baud Rate Generator

The MSSP module has a Baud Rate Generator available for clock generation in the I<sup>2</sup>C Host mode. The Baud Rate Generator (BRG) reload value is placed in the SSPADD register. When a write occurs to SSPBUF, the Baud Rate Generator will automatically begin counting down.

Once the given operation is complete, the internal clock will automatically stop counting and the clock pin will remain in its last state.

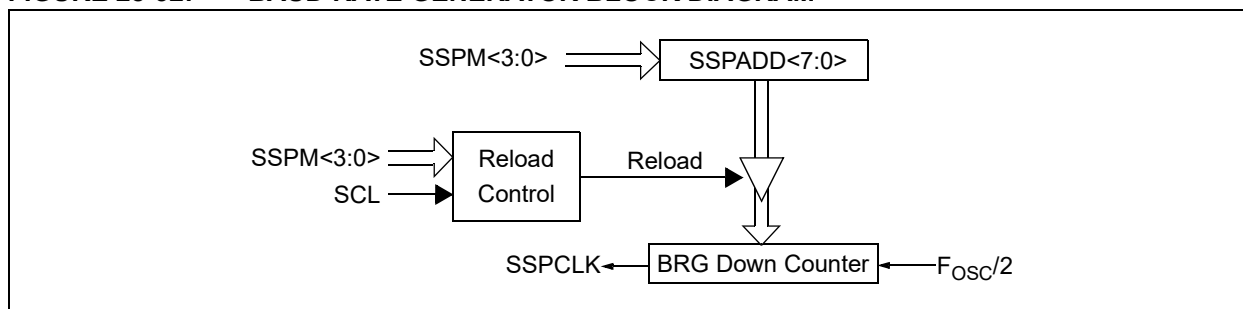
An internal signal “Reload” in Figure 28-32 triggers the value from SSPADD to be loaded into the BRG counter. This occurs twice for each oscillation of the module clock line. The logic dictating when the reload signal is asserted depends on the mode the MSSP is being operated in.

Table 28-3 demonstrates clock rates based on instruction cycles and the BRG value loaded into SSPADD.

### EQUATION 28-1:

$$F_{CLOCK} = \frac{F_{OSC}}{(SSPADD + 1)(4)}$$

FIGURE 28-32: BAUD RATE GENERATOR BLOCK DIAGRAM



**Note:** Values of 0x00, 0x01 and 0x02 are not valid for SSPADD when used as a Baud Rate Generator for I<sup>2</sup>C. This is an implementation limitation.

TABLE 28-3: MSSP CLOCK RATE W/BRG

F <sub>OSC</sub>	F <sub>CY</sub>	BRG Value	F <sub>CLOCK</sub> (2 Rollovers of BRG)
8 MHz	2 MHz	04h	400 kHz <sup>(1)</sup>
8 MHz	2 MHz	0Bh	166 kHz
8 MHz	2 MHz	13h	100 kHz

**Note 1:** The I<sup>2</sup>C interface does not conform to the 400 kHz I<sup>2</sup>C specification (which applies to rates greater than 100 kHz) in all details, but may be used with care where higher rates are required by the application.

## REGISTER 28-1: SSPSTAT: SSP STATUS REGISTER

R/W-0	R/W-0	R-0	R-0	R-0	R-0	R-0	R-0
SMP	CKE	D/A	P	S	R/W	UA	BF
bit 7							bit 0

### Legend:

R = Readable bit	W = Writable bit	U = Unimplemented bit, read as '0'
u = Bit is unchanged	x = Bit is unknown	-n = Value at POR
'1' = Bit is set	'0' = Bit is cleared	

bit 7	<p><b>SMP:</b> Data Input Sample bit</p> <p>1 = Slew rate control disabled for standard-speed mode (100 kHz and 1 MHz)</p> <p>0 = Slew rate control enabled for high-speed mode (400 kHz)</p>
bit 6	<p><b>CKE:</b> Clock Edge Select bit</p> <p>1 = Enable input logic so that thresholds are compliant with SM bus specification</p> <p>0 = Disable SM bus specific inputs</p>
bit 5	<p><b>D/A:</b> Data/Address bit</p> <p>1 = Indicates that the last byte received or transmitted was data</p> <p>0 = Indicates that the last byte received or transmitted was address</p>
bit 4	<p><b>P:</b> Stop bit</p> <p>(This bit is cleared when the MSSP module is disabled, SSPEN is cleared.)</p> <p>1 = Indicates that a Stop bit has been detected last (this bit is '0' on Reset)</p> <p>0 = Stop bit was not detected last</p>
bit 3	<p><b>S:</b> Start bit</p> <p>(This bit is cleared when the MSSP module is disabled, SSPEN is cleared.)</p> <p>1 = Indicates that a Start bit has been detected last (this bit is '0' on Reset)</p> <p>0 = Start bit was not detected last</p>
bit 2	<p><b>R/W:</b> Read/Write bit information</p> <p>This bit holds the R/W bit information following the last address match. This bit is only valid from the address match to the next Start bit, Stop bit, or not ACK bit.</p> <p><u>In I<sup>2</sup>C Client mode:</u></p> <p>1 = Read</p> <p>0 = Write</p> <p><u>In I<sup>2</sup>C Host mode:</u></p> <p>1 = Transmit is in progress</p> <p>0 = Transmit is not in progress</p> <p>OR-ing this bit with SEN, RSEN, PEN, RCEN or ACKEN will indicate if the MSSP is in Idle mode.</p>
bit 1	<p><b>UA:</b> Update Address bit (10-bit I<sup>2</sup>C mode only)</p> <p>1 = Indicates that the user needs to update the address in the SSPADD register</p> <p>0 = Address does not need to be updated</p>
bit 0	<p><b>BF:</b> Buffer Full status bit</p> <p>Receive:</p> <p>1 = Receive complete, SSPBUF is full</p> <p>0 = Receive not complete, SSPBUF is empty</p> <p>Transmit:</p> <p>1 = Data transmit in progress (does not include the ACK and Stop bits), SSPBUF is full</p> <p>0 = Data transmit complete (does not include the ACK and Stop bits), SSPBUF is empty</p>

# MCP19114/5

## REGISTER 28-2: SSPCON1: SSP CONTROL REGISTER 1

R/C/HS-0	R/C/HS-0	R/W-0	R/W-0	R/W-0	R/W-0	R/W-0	R/W-0
WCOL	SSPOV	SSPEN	CKP	SSPM<3:0>			
bit 7				bit 0			

### Legend:

R = Readable bit	W = Writable bit	U = Unimplemented bit, read as '0'
u = Bit is unchanged	x = Bit is unknown	-n = Value at POR
'1' = Bit is set	'0' = Bit is cleared	HS = Bit is set by hardware C = User cleared

bit 7 **WCOL:** Write Collision Detect bit

#### Host mode:

1 = A write to the SSPBUF register was attempted while the I<sup>2</sup>C conditions were not valid for a transmission to be started

0 = No collision

#### Client mode:

1 = The SSPBUF register is written while it is still transmitting the previous word (must be cleared in software)

0 = No collision

bit 6 **SSPOV:** Receive Overflow Indicator bit<sup>(1)</sup>

1 = A byte is received while the SSPBUF register is still holding the previous byte. SSPOV is a “don't care” in Transmit mode (must be cleared in software).

0 = No overflow

bit 5 **SSPEN:** Synchronous Serial Port Enable bit

In both modes, when enabled, these pins must be properly configured as input or output

1 = Enables the serial port and configures the SDA and SCL pins as the source of the serial port pins<sup>(2)</sup>

0 = Disables serial port and configures these pins as I/O port pins

bit 4 **CKP:** Clock Polarity Select bit

#### In I<sup>2</sup>C Client mode:

SCL release control

1 = Enable clock

0 = Holds clock low (clock stretch). (Used to ensure data setup time.)

#### In I<sup>2</sup>C Host mode:

Unused in this mode

**Note 1:** In Host mode, the overflow bit is not set since each new reception (and transmission) is initiated by writing to the SSPBUF register.

**2:** When enabled, the SDA and SCL pins must be configured as inputs.

**3:** SSPADD values of 0, 1 or 2 are not supported for I<sup>2</sup>C mode.

---

**REGISTER 28-2: SSPCON1: SSP CONTROL REGISTER 1 (CONTINUED)**

bit 3-0	<b>SSPM&lt;3:0&gt;</b> : Synchronous Serial Port Mode Select bits
	0000 = Reserved
	0001 = Reserved
	0010 = Reserved
	0011 = Reserved
	0100 = Reserved
	0101 = Reserved
	0110 = I <sup>2</sup> C Client mode, 7-bit address
	0111 = I <sup>2</sup> C Client mode, 10-bit address
	1000 = I <sup>2</sup> C Host mode, clock = $F_{OSC}/(4 * (SSPADD+1))$ <sup>(3)</sup>
	1001 = Reserved
	1010 = Reserved
	1011 = I <sup>2</sup> C Firmware-Controlled Host mode (Client idle)
	1100 = Reserved
	1101 = Reserved
	1110 = I <sup>2</sup> C Client mode, 7-bit address with Start and Stop bit interrupts enabled
	1111 = I <sup>2</sup> C Client mode, 10-bit address with Start and Stop bit interrupts enabled

- Note 1:** In Host mode, the overflow bit is not set since each new reception (and transmission) is initiated by writing to the SSPBUF register.
- 2:** When enabled, the SDA and SCL pins must be configured as inputs.
- 3:** SSPADD values of 0, 1 or 2 are not supported for I<sup>2</sup>C mode.

# MCP19114/5

## REGISTER 28-3: SSPCON2: SSP CONTROL REGISTER 2

R/W-0/0	R-0/0	R/W-0/0	R/S/HS-0/0	R/S/HS-0/0	R/S/HS-0/0	R/S/HS-0/0	R/W/HS-0/0
GCEN	ACKSTAT	ACKDT	ACKEN	RCEN	PEN	RSEN	SEN
bit 7							bit 0

### Legend:

R = Readable bit	W = Writable bit	U = Unimplemented bit, read as '0'
u = Bit is unchanged	x = Bit is unknown	-n/n = Value at POR and BOR/Value at all other Resets
'1' = Bit is set	'0' = Bit is cleared	H = Bit is set by hardware S = User set

- bit 7      **GCEN:** General Call Enable bit (in I<sup>2</sup>C Client mode only)  
1 = Enable interrupt when a general call address (0x00 or 00h) is received in the SSPSR register  
0 = General call address disabled
- bit 6      **ACKSTAT:** Acknowledge Status bit (in I<sup>2</sup>C mode only)  
1 = Acknowledge was not received  
0 = Acknowledge was received
- bit 5      **ACKDT:** Acknowledge Data bit (in I<sup>2</sup>C mode only)  
In Receive mode:  
Value transmitted when the user initiates an Acknowledge sequence at the end of a receive  
1 = Not Acknowledge  
0 = Acknowledge
- bit 4      **ACKEN:** Acknowledge Sequence Enable bit (in I<sup>2</sup>C Host mode only)  
In Host Receive mode:  
1 = Initiate Acknowledge sequence on SDA and SCL pins and transmit ACKDT data bit. Automatically cleared by hardware.  
0 = Acknowledge sequence idle
- bit 3      **RCEN:** Receive Enable bit (in I<sup>2</sup>C Host mode only)  
1 = Enables Receive mode for I<sup>2</sup>C  
0 = Receive idle
- bit 2      **PEN:** Stop Condition Enable bit (in I<sup>2</sup>C Host mode only)  
SCK Release Control:  
1 = Initiate Stop condition on SDA and SCL pins. Automatically cleared by hardware.  
0 = Stop condition idle
- bit 1      **RSEN:** Repeated Start Condition Enabled bit (in I<sup>2</sup>C Host mode only)  
1 = Initiate Repeated Start condition on SDA and SCL pins. Automatically cleared by hardware.  
0 = Repeated Start condition idle
- bit 0      **SEN:** Start Condition Enabled bit (in I<sup>2</sup>C Host mode only)  
In Host mode:  
1 = Initiate Start condition on SDA and SCL pins. Automatically cleared by hardware.  
0 = Start condition idle  
In Client mode:  
1 = Clock stretching is enabled for both Client Transmit and Client Receive (stretch enabled)  
0 = Clock stretching is disabled

**Note 1:** For bits ACKEN, RCEN, PEN, RSEN, SEN: If the I<sup>2</sup>C module is not in the Idle mode, this bit may not be set (no spooling) and the SSPBUF may not be written (or writes to the SSPBUF are disabled).

## REGISTER 28-4: SSPCON3: SSP CONTROL REGISTER 3

R-0/0	R/W-0/0	R/W-0/0	R/W-0/0	R/W-0/0	R/W-0/0	R/W-0/0	R/W-0/0
ACKTIM	PCIE	SCIE	BOEN	SDAHT	SBCDE	AHEN	DHEN
bit 7							bit 0

### Legend:

R = Readable bit	W = Writable bit	U = Unimplemented bit, read as '0'
u = Bit is unchanged	x = Bit is unknown	-n/n = Value at POR and BOR/Value at all other Resets
'1' = Bit is set	'0' = Bit is cleared	

- bit 7      **ACKTIM:** Acknowledge Time status bit (I<sup>2</sup>C mode only)<sup>(2)</sup>  
 1 = Indicates the I<sup>2</sup>C bus is in an Acknowledge sequence, set on 8<sup>th</sup> falling edge of SCL clock  
 0 = Not an Acknowledge sequence, cleared on 9<sup>th</sup> rising edge of SCL clock
- bit 6      **PCIE:** Stop Condition Interrupt Enable bit (I<sup>2</sup>C mode only)  
 1 = Enable interrupt on detection of Stop condition  
 0 = Stop detection interrupts are disabled<sup>(1)</sup>
- bit 5      **SCIE:** Start Condition Interrupt Enable bit (I<sup>2</sup>C mode only)  
 1 = Enable interrupt on detection of Start or Restart conditions  
 0 = Start detection interrupts are disabled<sup>(1)</sup>
- bit 4      **BOEN:** Buffer Overwrite Enable bit  
In I<sup>2</sup>C Host mode:  
 This bit is ignored.  
In I<sup>2</sup>C Client mode:  
 1 = SSPBUF is updated and  $\overline{ACK}$  is generated for a received address/data byte, ignoring the state of the SSPOV bit only if the BF bit = 0.  
 0 = SSPBUF is only updated when SSPOV is clear.
- bit 3      **SDAHT:** SDA Hold Time Selection bit  
 1 = Minimum of 300 ns hold time on SDA after the falling edge of SCL  
 0 = Minimum of 100 ns hold time on SDA after the falling edge of SCL
- bit 2      **SBCDE:** Client Mode Bus Collision Detect Enable bit (I<sup>2</sup>C Client mode only)  
 If, on the rising edge of SCL, SDA is sampled low when the module outputs a high state, the BCLIF bit in the PIR1 register is set and bus goes idle.  
 1 = Enable client bus collision interrupts  
 0 = Client bus collision interrupts are disabled
- bit 1      **AHEN:** Address Hold Enable bit (I<sup>2</sup>C Client mode only)  
 1 = Following the 8<sup>th</sup> falling edge of SCL for a matching received address byte; CKP bit in the SSPCON1 register will be cleared and the SCL will be held low.  
 0 = Address holding is disabled
- bit 0      **DHEN:** Data Hold Enable bit (I<sup>2</sup>C Client mode only)  
 1 = Following the 8<sup>th</sup> falling edge of SCL for a received data byte; client hardware clears the CKP bit in the SSPCON1 register and SCL is held low.  
 0 = Data holding is disabled

**Note 1:** This bit has no effect in Client modes where Start and Stop condition detection is explicitly listed as enabled.

**2:** The ACKTIM status bit is only active when the AHEN bit or DHEN bit is set.

# MCP19114/5

## REGISTER 28-5: SSPMSK1: SSP MASK REGISTER 1

R/W-1	R/W-1	R/W-1	R/W-1	R/W-1	R/W-1	R/W-1	R/W-1
MSK<7:0>							
bit 7							bit 0

### Legend:

R = Readable bit	W = Writable bit	U = Unimplemented bit, read as '0'
u = Bit is unchanged	x = Bit is unknown	-n = Value at POR
'1' = Bit is set	'0' = Bit is cleared	

bit 7-1 **MSK<7:1>**: Mask bits

- 1 = The received address bit n is compared to SSPADD<n> to detect I<sup>2</sup>C address match
- 0 = The received address bit n is not used to detect I<sup>2</sup>C address match

bit 0 **MSK<0>**: Mask bit for I<sup>2</sup>C Client mode, 10-bit Address

I<sup>2</sup>C Client mode, 10-bit address (SSPM<3:0> = 0111 or 1111):

- 1 = The received address bit 0 is compared to SSPADD<0> to detect I<sup>2</sup>C address match
- 0 = The received address bit 0 is not used to detect I<sup>2</sup>C address match I<sup>2</sup>C Client mode, 7-bit address, the bit is ignored

## REGISTER 28-6: SSPADD: MSSP ADDRESS AND BAUD RATE REGISTER 1

R/W-0	R/W-0	R/W-0	R/W-0	R/W-0	R/W-0	R/W-0	R/W-0
ADD<7:0>							
bit 7							bit 0

### Legend:

R = Readable bit	W = Writable bit	U = Unimplemented bit, read as '0'
u = Bit is unchanged	x = Bit is unknown	-n = Value at POR
'1' = Bit is set	'0' = Bit is cleared	

### Host mode:

bit 7-0 **ADD<7:0>**: Baud Rate Clock Divider bits  
SCL pin clock period = ((ADD<7:0> + 1) \* 4)/F<sub>OSC</sub>

### 10-Bit Client mode — Most Significant Address byte:

bit 7-3 **Not used**: Unused for Most Significant Address byte. Bit state of this register is a “don't care”. Bit pattern sent by Host is fixed by I<sup>2</sup>C specification and must be equal to '11110'. However, those bits are compared by hardware and are not affected by the value in this register.

bit 2-1 **ADD<2:1>**: Two Most Significant bits of 10-bit address.

bit 0 **Not used**: Unused in this mode. Bit state is a “don't care”.

### 10-Bit Client mode — Least Significant Address byte:

bit 7-0 **ADD<7:0>**: Eight Least Significant bits of 10-bit address

### 7-Bit Client mode:

bit 7-1 **ADD<7:1>**: 7-bit address

bit 0 **Not used**: Unused in this mode. Bit state is a “don't care”.

## REGISTER 28-7: SSPMSK2: SSP MASK REGISTER 2

R/W-1	R/W-1	R/W-1	R/W-1	R/W-1	R/W-1	R/W-1	R/W-1
MSK2<7:0>							
bit 7							bit 0

### Legend:

R = Readable bit	W = Writable bit	U = Unimplemented bit, read as '0'
u = Bit is unchanged	x = Bit is unknown	-n = Value at POR
'1' = Bit is set	'0' = Bit is cleared	

- bit 7-1      **MSK2<7:1>**: Mask bits  
 1 = The received address bit n is compared to SSPADD2<n> to detect I<sup>2</sup>C address match  
 0 = The received address bit n is not used to detect I<sup>2</sup>C address match
- bit 0      **MSK2<0>**: Mask bit for I<sup>2</sup>C Client mode, 10-bit Address  
 I<sup>2</sup>C Client mode, 10-bit address (SSPM<3:0> = 0111 or 1111):  
 1 = The received address bit 0 is compared to SSPADD2<0> to detect I<sup>2</sup>C address match  
 0 = The received address bit 0 is not used to detect I<sup>2</sup>C address match I<sup>2</sup>C Client mode, 7-bit address, the bit is ignored

## REGISTER 28-8: SSPADD2: MSSP ADDRESS 2

R/W-0	R/W-0	R/W-0	R/W-0	R/W-0	R/W-0	R/W-0	R/W-0
ADD2<7:0>							
bit 7							bit 0

### Legend:

R = Readable bit	W = Writable bit	U = Unimplemented bit, read as '0'
u = Bit is unchanged	x = Bit is unknown	-n = Value at POR
'1' = Bit is set	'0' = Bit is cleared	

### Host mode:

- bit 7-0      **ADD2<7:0>**: Baud Rate Clock Divider bits  
 $SCL \text{ pin clock period} = ((ADD<7:0> + 1) * 4) / F_{OSC}$

### 10-Bit Client mode — Most Significant Address byte:

- bit 7-3      **Not used:** Unused for Most Significant Address byte. Bit state of this register is a “don’t care”. Bit pattern sent by host is fixed by I<sup>2</sup>C specification and must be equal to ‘11110’. However, those bits are compared by hardware and are not affected by the value in this register.
- bit 2-1      **ADD2<2:1>**: Two Most Significant bits of 10-bit address
- bit 0      **Not used:** Unused in this mode. Bit state is a “don’t care”.

### 10-Bit Client mode — Least Significant Address byte:

- bit 7-0      **ADD2<7:0>**: Eight Least Significant bits of 10-bit address

### 7-Bit Client mode:

- bit 7-1      **ADD2<7:1>**: 7-bit address
- bit 0      **Not used:** Unused in this mode. Bit state is a “don’t care”.

# MCP19114/5

---

NOTES:



# MCP19114/5

**TABLE 29-2: MCP19114/5 INSTRUCTION SET**

Mnemonic, Operands	Description	Cycles	14-Bit Opcode				Status Affected	Notes	
			MSb		LSb				
<b>BYTE-ORIENTED FILE REGISTER OPERATIONS</b>									
ADDWF	f, d	Add W and f	1	00	0111	dfff	ffff	C, DC, Z	1, 2
ANDWF	f, d	AND W with f	1	00	0101	dfff	ffff	Z	1, 2
CLRF	f	Clear f	1	00	0001	1fff	ffff	Z	2
CLRWF	–	Clear W	1	00	0001	0xxx	xxxx	Z	
COMF	f, d	Complement f	1	00	1001	dfff	ffff	Z	1, 2
DECF	f, d	Decrement f	1	00	0011	dfff	ffff	Z	1, 2
DECFSZ	f, d	Decrement f, Skip if 0	1(2)	00	1011	dfff	ffff		1, 2, 3
INCF	f, d	Increment f	1	00	1010	dfff	ffff	Z	1, 2
INCFSZ	f, d	Increment f, Skip if 0	1(2)	00	1111	dfff	ffff		1, 2, 3
IORWF	f, d	Inclusive OR W with f	1	00	0100	dfff	ffff	Z	1, 2
MOVF	f, d	Move f	1	00	1000	dfff	ffff	Z	1, 2
MOVWF	f	Move W to f	1	00	0000	1fff	ffff		
NOP	–	No Operation	1	00	0000	0xx0	0000		
RLF	f, d	Rotate Left f through Carry	1	00	1101	dfff	ffff	C	1, 2
RRF	f, d	Rotate Right f through Carry	1	00	1100	dfff	ffff	C	1, 2
SUBWF	f, d	Subtract W from f	1	00	0010	dfff	ffff	C, DC, Z	1, 2
SWAPF	f, d	Swap nibbles in f	1	00	1110	dfff	ffff		1, 2
XORWF	f, d	Exclusive OR W with f	1	00	0110	dfff	ffff	Z	1, 2
<b>BIT-ORIENTED FILE REGISTER OPERATIONS</b>									
BCF	f, b	Bit Clear f	1	01	00bb	bfff	ffff		1, 2
BSF	f, b	Bit Set f	1	01	01bb	bfff	ffff		1, 2
BTFSC	f, b	Bit Test f, Skip if Clear	1 (2)	01	10bb	bfff	ffff		3
BTFSS	f, b	Bit Test f, Skip if Set	1 (2)	01	11bb	bfff	ffff		3
<b>LITERAL AND CONTROL OPERATIONS</b>									
ADDLW	k	Add literal and W	1	11	111x	kkkk	kkkk	C, DC, Z	
ANDLW	k	AND literal with W	1	11	1001	kkkk	kkkk	Z	
CALL	k	Call Subroutine	2	10	0kkk	kkkk	kkkk		
CLRWDT	–	Clear Watchdog Timer	1	00	0000	0110	0100	$\overline{TO}$ , $\overline{PD}$	
GOTO	k	Go to address	2	10	1kkk	kkkk	kkkk		
IORLW	k	Inclusive OR literal with W	1	11	1000	kkkk	kkkk	Z	
MOVLW	k	Move literal to W	1	11	00xx	kkkk	kkkk		
RETFIE	–	Return from interrupt	2	00	0000	0000	1001		
RETLW	k	Return with literal in W	2	11	01xx	kkkk	kkkk		
RETURN	–	Return from Subroutine	2	00	0000	0000	1000		
SLEEP	–	Go into Standby mode	1	00	0000	0110	0011	$\overline{TO}$ , $\overline{PD}$	
SUBLW	k	Subtract W from literal	1	11	110x	kkkk	kkkk	C, DC, Z	
XORLW	k	Exclusive OR literal with W	1	11	1010	kkkk	kkkk	Z	

**Note 1:** When an I/O register is modified as a function of itself (e.g., `MOVF PORTA, 1`), the value used will be that value present on the pins themselves. For example, if the data latch is '1' for a pin configured as input and is driven low by an external device, the data will be written back with a '0'.

- 2:** If this instruction is executed on the TMR0 register (and where applicable,  $d = 1$ ), the prescaler will be cleared if assigned to the Timer0 module.
- 3:** If the Program Counter (PC) is modified, or a conditional test is true, the instruction requires two cycles. The second cycle is executed as an `NOP`.

## 29.2 Instruction Descriptions

### **ADDLW**      **Add literal and W**

**Syntax:**      `[ label ] ADDLW k`

**Operands:**     $0 \leq k \leq 255$

**Operation:**     $(W) + k \rightarrow (W)$

**Status Affected:** C, DC, Z

**Description:**    The contents of the W register are added to the 8-bit literal 'k' and the result is placed in the W register.

### **ADDWF**      **Add W and f**

**Syntax:**      `[ label ] ADDWF f,d`

**Operands:**     $0 \leq f \leq 127$   
 $d \in [0,1]$

**Operation:**     $(W) + (f) \rightarrow (\text{destination})$

**Status Affected:** C, DC, Z

**Description:**    Add the contents of the W register with register 'f'. If 'd' is '0', the result is stored in the W register. If 'd' is '1', the result is stored back in register 'f'.

### **ANDLW**      **AND literal with W**

**Syntax:**      `[ label ] ANDLW k`

**Operands:**     $0 \leq k \leq 255$

**Operation:**     $(W) .\text{AND.} (k) \rightarrow (W)$

**Status Affected:** Z

**Description:**    The contents of W register are AND'ed with the 8-bit literal 'k'. The result is placed in the W register.

### **ANDWF**      **AND W with f**

**Syntax:**      `[ label ] ANDWF f,d`

**Operands:**     $0 \leq f \leq 127$   
 $d \in [0,1]$

**Operation:**     $(W) .\text{AND.} (f) \rightarrow (\text{destination})$

**Status Affected:** Z

**Description:**    AND the W register with register 'f'. If 'd' is '0', the result is stored in the W register. If 'd' is '1', the result is stored back in register 'f'.

### **BCF**          **Bit Clear f**

**Syntax:**      `[ label ] BCF f,b`

**Operands:**     $0 \leq f \leq 127$   
 $0 \leq b \leq 7$

**Operation:**     $0 \rightarrow (f<b>)$

**Status Affected:** None

**Description:**    Bit 'b' in register 'f' is cleared.

### **BSF**          **Bit Set f**

**Syntax:**      `[ label ] BSF f,b`

**Operands:**     $0 \leq f \leq 127$   
 $0 \leq b \leq 7$

**Operation:**     $1 \rightarrow (f<b>)$

**Status Affected:** None

**Description:**    Bit 'b' in register 'f' is set.

### **BTFSC**      **Bit Test f, Skip if Clear**

**Syntax:**      `[ label ] BTFSC f,b`

**Operands:**     $0 \leq f \leq 127$   
 $0 \leq b \leq 7$

**Operation:**    skip if  $(f<b>) = 0$

**Status Affected:** None

**Description:**    If bit 'b' in register 'f' is '1', the next instruction is executed. If bit 'b' in register 'f' is '0', the next instruction is discarded, and an NOP is executed instead, making this a two-cycle instruction.

# MCP19114/5

---

<b>BTFSF</b>	<b>Bit Test f, Skip if Set</b>
Syntax:	[ <i>label</i> ] BTFSF f,b
Operands:	$0 \leq f \leq 127$ $0 \leq b < 7$
Operation:	skip if (f<b>) = 1
Status Affected:	None
Description:	If bit 'b' in register 'f' is '0', the next instruction is executed. If bit 'b' is '1', the next instruction is discarded and an NOP is executed instead, making this a two-cycle instruction.

<b>CLRWDT</b>	<b>Clear Watchdog Timer</b>
Syntax:	[ <i>label</i> ] CLRWDT
Operands:	None
Operation:	00h → WDT 0 → WDT prescaler, 1 → $\overline{TO}$ 1 → $\overline{PD}$
Status Affected:	$\overline{TO}$ , $\overline{PD}$
Description:	CLRWDT instruction resets the Watchdog Timer. It also resets the prescaler of the WDT. Bits $\overline{TO}$ and $\overline{PD}$ in the STATUS register are set.

<b>CALL</b>	<b>Call Subroutine</b>
Syntax:	[ <i>label</i> ] CALL k
Operands:	$0 \leq k \leq 2047$
Operation:	(PC)+ 1 → TOS, k → PC<10:0>, (PCLATH<4:3>) → PC<12:11>
Status Affected:	None
Description:	Call Subroutine. First, return address (PC + 1) is pushed onto the stack. The 11-bit immediate address is loaded into PC bits <10:0>. The upper bits of the PC are loaded from PCLATH. CALL is a two-cycle instruction.

<b>COMF</b>	<b>Complement f</b>
Syntax:	[ <i>label</i> ] COMF f,d
Operands:	$0 \leq f \leq 127$ d ∈ [0,1]
Operation:	( $\bar{f}$ ) → (destination)
Status Affected:	Z
Description:	The contents of register 'f' are complemented. If 'd' is '0', the result is stored in W. If 'd' is '1', the result is stored back in register 'f'.

<b>CLRF</b>	<b>Clear f</b>
Syntax:	[ <i>label</i> ] CLRF f
Operands:	$0 \leq f \leq 127$
Operation:	00h → (f) 1 → Z
Status Affected:	Z
Description:	The contents of register 'f' are cleared and the Z bit is set.

<b>DECF</b>	<b>Decrement f</b>
Syntax:	[ <i>label</i> ] DECF f,d
Operands:	$0 \leq f \leq 127$ d ∈ [0,1]
Operation:	(f) - 1 → (destination)
Status Affected:	Z
Description:	Decrement register 'f'. If 'd' is '0', the result is stored in the W register. If 'd' is '1', the result is stored back in register 'f'.

<b>CLRW</b>	<b>Clear W</b>
Syntax:	[ <i>label</i> ] CLRW
Operands:	None
Operation:	00h → (W) 1 → Z
Status Affected:	Z
Description:	W register is cleared. Zero (Z) bit is set.

**DECFSZ      Decrement f, Skip if 0**

---

Syntax:      [ *label* ] DECFSZ f,d

Operands:     $0 \leq f \leq 127$   
 $d \in [0,1]$

Operation:    (f) - 1 → (destination);  
 skip if result = 0

Status Affected: None

Description:    The contents of register 'f' are decremented. If 'd' is '0', the result is placed in the W register. If 'd' is '1', the result is placed back in register 'f'.  
 If the result is '1', the next instruction is executed. If the result is '0', an NOP is executed instead, making it a two-cycle instruction.

**INCFSZ      Increment f, Skip if 0**

---

Syntax:      [ *label* ] INCFSZ f,d

Operands:     $0 \leq f \leq 127$   
 $d \in [0,1]$

Operation:    (f) + 1 → (destination),  
 skip if result = 0

Status Affected: None

Description:    The contents of register 'f' are incremented. If 'd' is '0', the result is placed in the W register. If 'd' is '1', the result is placed back in register 'f'.  
 If the result is '1', the next instruction is executed. If the result is '0', an NOP is executed instead, making it a two-cycle instruction.

**GOTO          Unconditional Branch**

---

Syntax:      [ *label* ] GOTO k

Operands:     $0 \leq k \leq 2047$

Operation:     $k \rightarrow PC<10:0>$   
 $PCLATH<4:3> \rightarrow PC<12:11>$

Status Affected: None

Description:    GOTO is an unconditional branch. The 11-bit immediate value is loaded into PC bits <10:0>. The upper bits of PC are loaded from PCLATH<4:3>. GOTO is a two-cycle instruction.

**IORLW          Inclusive OR literal with W**

---

Syntax:      [ *label* ] IORLW k

Operands:     $0 \leq k \leq 255$

Operation:    (W) .OR. k → (W)

Status Affected: Z

Description:    The contents of the W register are OR'ed with the 8-bit literal 'k'. The result is placed in the W register.

**INCF          Increment f**

---

Syntax:      [ *label* ] INCF f,d

Operands:     $0 \leq f \leq 127$   
 $d \in [0,1]$

Operation:    (f) + 1 → (destination)

Status Affected: Z

Description:    The contents of register 'f' are incremented. If 'd' is '0', the result is placed in the W register. If 'd' is '1', the result is placed back in register 'f'.

**IORWF          Inclusive OR W with f**

---

Syntax:      [ *label* ] IORWF f,d

Operands:     $0 \leq f \leq 127$   
 $d \in [0,1]$

Operation:    (W) .OR. (f) → (destination)

Status Affected: Z

Description:    Inclusive OR the W register with register 'f'. If 'd' is '0', the result is placed in the W register. If 'd' is '1', the result is placed back in register 'f'.

# MCP19114/5

<b>MOVF</b>	<b>Move f</b>
Syntax:	[ <i>label</i> ] MOVF f,d
Operands:	$0 \leq f \leq 127$ $d \in [0,1]$
Operation:	$(f) \rightarrow (\text{dest})$
Status Affected:	Z
Description:	The contents of register 'f' are moved to a destination dependent upon the status of 'd'. If $d = 0$ , the destination is W register. If $d = 1$ , the destination is file register 'f' itself. $d = 1$ is useful to test a file register since STATUS flag Z is affected.
Words:	1
Cycles:	1
Example:	MOVF FSR, 0 After Instruction W = value in FSR register Z = 1

<b>MOVLW</b>	<b>Move literal to W</b>
Syntax:	[ <i>label</i> ] MOVLW k
Operands:	$0 \leq k \leq 255$
Operation:	$k \rightarrow (W)$
Status Affected:	None
Description:	The 8-bit literal 'k' is loaded into W register. The "don't cares" will assemble as '0's.
Words:	1
Cycles:	1
Example:	MOVLW 0x5A After Instruction W = 0x5A

<b>MOVWF</b>	<b>Move W to f</b>
Syntax:	[ <i>label</i> ] MOVWF f
Operands:	$0 \leq f \leq 127$
Operation:	$(W) \rightarrow (f)$
Status Affected:	None
Description:	Move data from W register to register 'f'.
Words:	1
Cycles:	1
Example:	MOVWF OPTION F Before Instruction OPTION = 0xFF W = 0x4F After Instruction OPTION = 0x4F W = 0x4F

<b>NOP</b>	<b>No Operation</b>
Syntax:	[ <i>label</i> ] NOP
Operands:	None
Operation:	No operation
Status Affected:	None
Description:	No operation.
Words:	1
Cycles:	1
Example:	NOP



# MCP19114/5

## RRF Rotate Right f through Carry

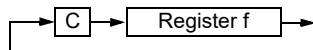
**Syntax:** [ *label* ] RRF f,d

**Operands:**  $0 \leq f \leq 127$   
 $d \in [0,1]$

**Operation:** See description below

**Status Affected:** C

**Description:** The contents of register 'f' are rotated one bit to the right through the Carry flag. If 'd' is '0', the result is placed in the W register. If 'd' is '1', the result is placed back in register 'f'.



## SUBWF Subtract W from f

**Syntax:** [ *label* ] SUBWF f,d

**Operands:**  $0 \leq f \leq 127$   
 $d \in [0,1]$

**Operation:**  $(f) - (W) \rightarrow (\text{destination})$

**Status Affected:** C, DC, Z

**Description:** Subtract (two's complement method) W register from register 'f'. If 'd' is '0', the result is stored in the W register. If 'd' is '1', the result is stored back in register 'f'.

C = 0	W > f
C = 1	W ≤ f
DC = 0	W<3:0> > f<3:0>
DC = 1	W<3:0> ≤ f<3:0>

## SLEEP Enter Sleep mode

**Syntax:** [ *label* ] SLEEP

**Operands:** None

**Operation:** 00h → WDT,  
 0 → WDT prescaler,  
 1 →  $\overline{\text{TO}}$ ,  
 0 → PD

**Status Affected:**  $\overline{\text{TO}}$ , PD

**Description:** The power-down STATUS bit, PD, is cleared. Time-Out STATUS bit,  $\overline{\text{TO}}$ , is set. Watchdog Timer and its prescaler are cleared. The processor is put into Sleep mode with the oscillator stopped.

## SWAPF Swap Nibbles in f

**Syntax:** [ *label* ] SWAPF f,d

**Operands:**  $0 \leq f \leq 127$   
 $d \in [0,1]$

**Operation:**  $(f<3:0>) \rightarrow (\text{destination}<7:4>)$ ,  
 $(f<7:4>) \rightarrow (\text{destination}<3:0>)$

**Status Affected:** None

**Description:** The upper and lower nibbles of register 'f' are exchanged. If 'd' is '0', the result is placed in the W register. If 'd' is '1', the result is placed in register 'f'.

## SUBLW Subtract W from literal

**Syntax:** [ *label* ] SUBLW k

**Operands:**  $0 \leq k \leq 255$

**Operation:**  $k - (W) \rightarrow (W)$

**Status Affected:** C, DC, Z

**Description:** The W register is subtracted (two's complement method) from the 8-bit literal 'k'. The result is placed in the W register.

Result	Condition
C = 0	W > k
C = 1	W ≤ k
DC = 0	W<3:0> > k<3:0>
DC = 1	W<3:0> ≤ k<3:0>

## XORLW Exclusive OR literal with W

**Syntax:** [ *label* ] XORLW k

**Operands:**  $0 \leq k \leq 255$

**Operation:**  $(W) .\text{XOR. } k \rightarrow (W)$

**Status Affected:** Z

**Description:** The contents of the W register are XOR'ed with the 8-bit literal 'k'. The result is placed in the W register.

<b>XORWF</b>	<b>Exclusive OR W with f</b>
Syntax:	[ <i>label</i> ] XORWF f,d
Operands:	$0 \leq f \leq 127$ $d \in [0,1]$
Operation:	(W) .XOR. (f) → (destination)
Status Affected:	Z
Description:	Exclusive OR the contents of the W register with register 'f'. If 'd' is '0', the result is stored in the W register. If 'd' is '1', the result is stored back in register 'f'.

# MCP19114/5

---

NOTES:

## 30.0 IN-CIRCUIT SERIAL PROGRAMMING™ (ICSP™)

ICSP allows customers to manufacture circuit boards with unprogrammed devices. Programming can be done after the assembly process, allowing the device to be programmed with the most recent firmware or a custom firmware. Five pins are needed for ICSP programming:

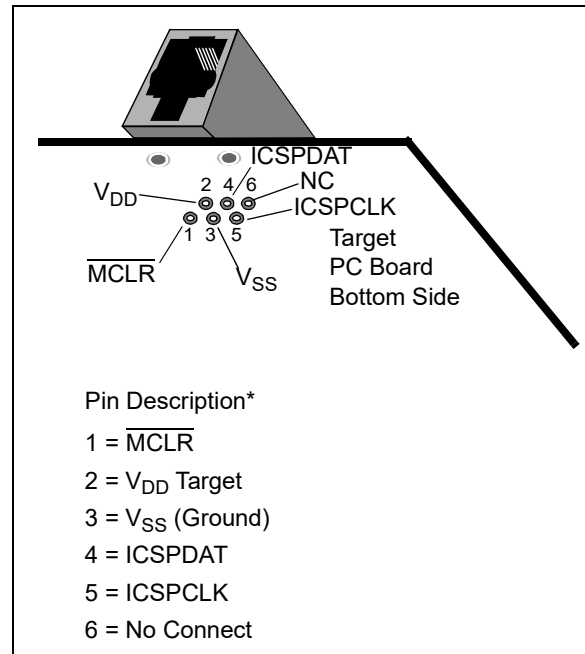
- ICSPCLK
- ICSPDAT
- $\overline{\text{MCLR}}$
- $V_{\text{DD}}$
- $V_{\text{SS}} (\text{A}_{\text{GND}})$

In Program/Verify mode, the Program Memory, User IDs and the Configuration Words are programmed through serial communications. The ICSPDAT pin is a bidirectional I/O used for transferring the serial data and the ICSPCLK pin is the clock input. The device is placed into a Program/Verify mode by holding the ICSPDAT and ICSPCLK pins low, while raising the  $\overline{\text{MCLR}}$  pin from  $V_{\text{IL}}$  to  $V_{\text{IH}}$ .

## 30.1 Common Programming Interfaces

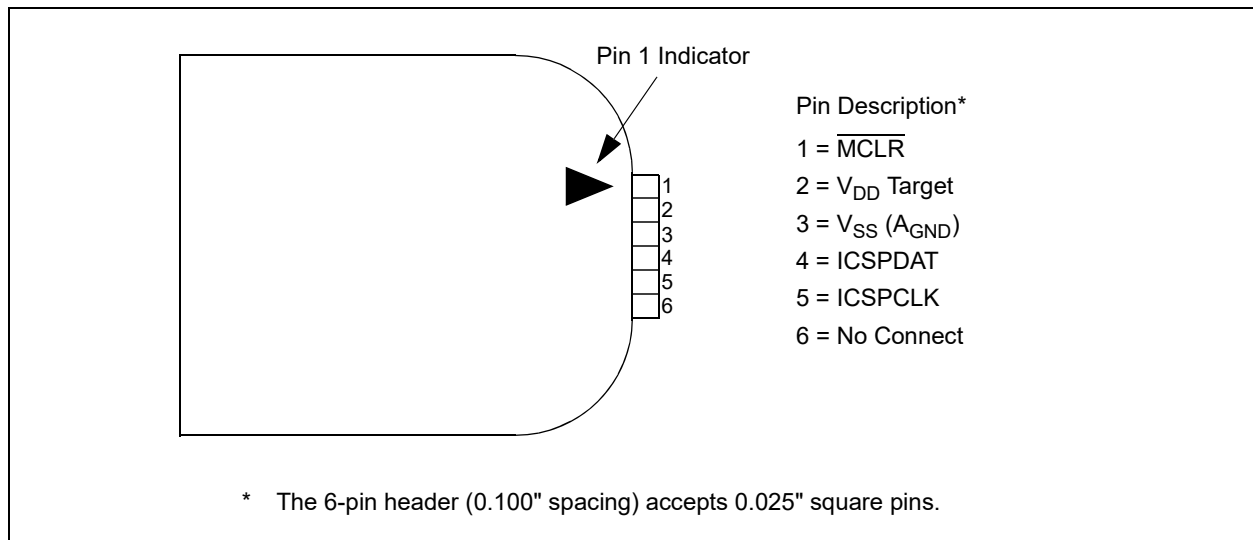
Connection to a target device is typically done through an ICSP header. A commonly found connector on development tools is the RJ-11 in the 6P6C (6-pin, 6-conductor) configuration. Refer to [Figure 30-1](#).

**FIGURE 30-1: ICD RJ-11 STYLE CONNECTOR INTERFACE**



Another connector often found in use with the PICKit™ programmers is a standard 6-pin header with 0.1 inch spacing. Refer to [Figure 30-2](#).

**FIGURE 30-2: PICKit™ STYLE CONNECTOR INTERFACE**

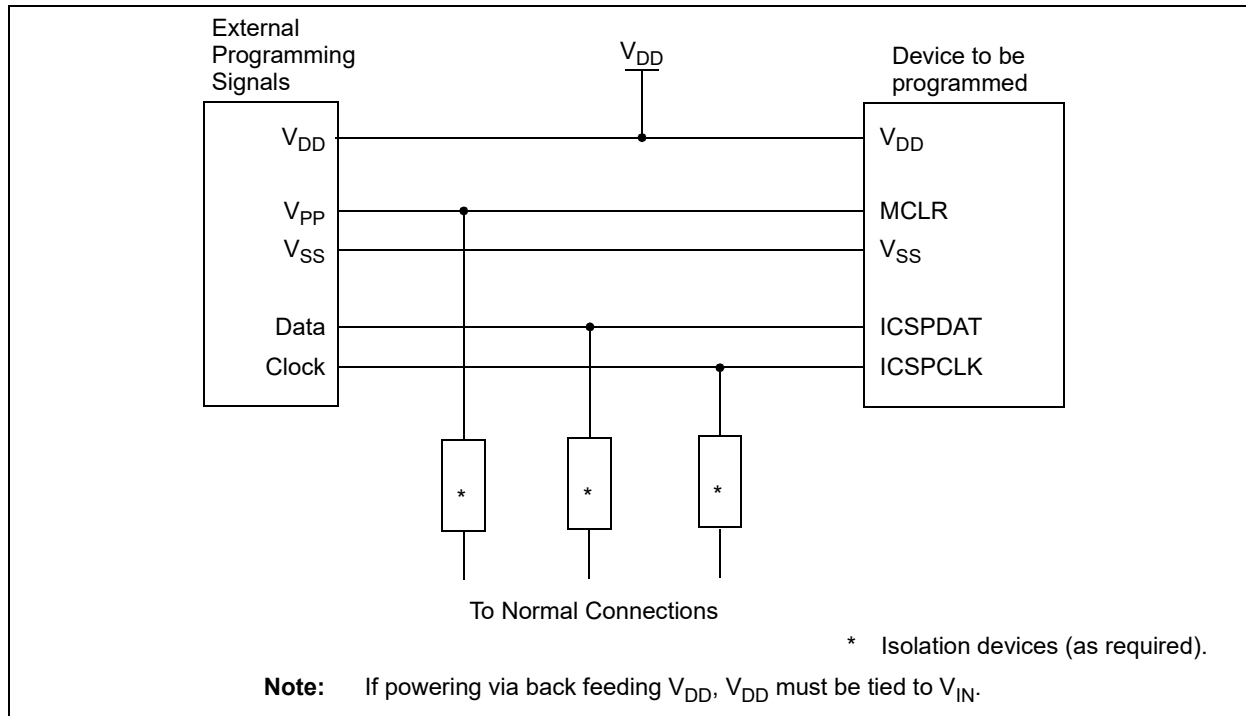


# MCP19114/5

For additional interface recommendations, refer to your specific device programmer manual prior to PCB design.

It is recommended that isolation devices be used to separate the programming pins from other circuitry. The type of isolation is highly dependent on the specific application and may include devices such as resistors, diodes or even jumpers. Refer to [Figure 30-3](#) for more information.

**FIGURE 30-3: TYPICAL CONNECTION FOR ICSP™ PROGRAMMING**



## 31.0 DEVELOPMENT SUPPORT

The PIC<sup>®</sup> microcontrollers (MCU) and dsPIC<sup>®</sup> digital signal controllers (DSC) are supported with a full range of software and hardware development tools:

- Integrated Development Environment
  - MPLAB<sup>®</sup> X IDE Software
- Compilers/Assemblers/Linkers
  - MPLAB XC Compiler
  - MPASM<sup>™</sup> Assembler
  - MPLINK<sup>™</sup> Object Linker/  
MPLIB<sup>™</sup> Object Librarian
  - MPLAB Assembler/Linker/Librarian for  
Various Device Families
- Simulators
  - MPLAB X SIM Software Simulator
- Emulators
  - MPLAB REAL ICE<sup>™</sup> In-Circuit Emulator
- In-Circuit Debuggers/Programmers
  - MPLAB ICD 3
  - PICKit<sup>™</sup> 3
- Device Programmers
  - MPLAB PM3 Device Programmer
- Low-Cost Demonstration/Development Boards,  
Evaluation Kits and Starter Kits
- Third-party development tools

## 31.1 MPLAB X Integrated Development Environment Software

The MPLAB X IDE is a single, unified graphical user interface for Microchip and third-party software, and hardware development tool that runs on Windows<sup>®</sup>, Linux and Mac OS<sup>®</sup> X. Based on the NetBeans IDE, MPLAB X IDE is an entirely new IDE with a host of free software components and plug-ins for high-performance application development and debugging. Moving between tools and upgrading from software simulators to hardware debugging and programming tools is simple with the seamless user interface.

With complete project management, visual call graphs, a configurable watch window and a feature-rich editor that includes code completion and context menus, MPLAB X IDE is flexible and friendly enough for new users. With the ability to support multiple tools on multiple projects with simultaneous debugging, MPLAB X IDE is also suitable for the needs of experienced users.

Feature-Rich Editor:

- Color syntax highlighting
- Smart code completion makes suggestions and provides hints as you type
- Automatic code formatting based on user-defined rules
- Live parsing

User-Friendly, Customizable Interface:

- Fully customizable interface: toolbars, toolbar buttons, windows, window placement, etc.
- Call graph window

Project-Based Workspaces:

- Multiple projects
- Multiple tools
- Multiple configurations
- Simultaneous debugging sessions

File History and Bug Tracking:

- Local file history feature
- Built-in support for Bugzilla issue tracker

## 31.2 MPLAB XC Compilers

The MPLAB XC Compilers are complete ANSI C compilers for all of Microchip's 8, 16, and 32-bit MCU and DSC devices. These compilers provide powerful integration capabilities, superior code optimization and ease of use. MPLAB XC Compilers run on Windows, Linux or MAC OS X.

For easy source level debugging, the compilers provide debug information that is optimized to the MPLAB X IDE.

The free MPLAB XC Compiler editions support all devices and commands, with no time or memory restrictions, and offer sufficient code optimization for most applications.

MPLAB XC Compilers include an assembler, linker and utilities. The assembler generates relocatable object files that can then be archived or linked with other relocatable object files and archives to create an executable file. MPLAB XC Compiler uses the assembler to produce its object file. Notable features of the assembler include:

- Support for the entire device instruction set
- Support for fixed-point and floating-point data
- Command-line interface
- Rich directive set
- Flexible macro language
- MPLAB X IDE compatibility

## 31.3 MPASM Assembler

The MPASM Assembler is a full-featured, universal macro assembler for PIC10/12/16/18 MCUs.

The MPASM Assembler generates relocatable object files for the MPLINK Object Linker, Intel® standard HEX files, MAP files to detail memory usage and symbol reference, absolute LST files that contain source lines and generated machine code, and COFF files for debugging.

The MPASM Assembler features include:

- Integration into MPLAB X IDE projects
- User-defined macros to streamline assembly code
- Conditional assembly for multipurpose source files
- Directives that allow complete control over the assembly process

## 31.4 MPLINK Object Linker/ MPLIB Object Librarian

The MPLINK Object Linker combines relocatable objects created by the MPASM Assembler. It can link relocatable objects from precompiled libraries, using directives from a linker script.

The MPLIB Object Librarian manages the creation and modification of library files of precompiled code. When a routine from a library is called from a source file, only the modules that contain that routine will be linked in with the application. This allows large libraries to be used efficiently in many different applications.

The object linker/library features include:

- Efficient linking of single libraries instead of many smaller files
- Enhanced code maintainability by grouping related modules together
- Flexible creation of libraries with easy module listing, replacement, deletion and extraction

## 31.5 MPLAB Assembler, Linker and Librarian for Various Device Families

MPLAB Assembler produces relocatable machine code from symbolic assembly language for PIC24, PIC32 and dsPIC DSC devices. MPLAB XC Compiler uses the assembler to produce its object file. The assembler generates relocatable object files that can then be archived or linked with other relocatable object files and archives to create an executable file. Notable features of the assembler include:

- Support for the entire device instruction set
- Support for fixed-point and floating-point data
- Command-line interface
- Rich directive set
- Flexible macro language
- MPLAB X IDE compatibility

## 31.6 MPLAB X SIM Software Simulator

The MPLAB X SIM Software Simulator allows code development in a PC-hosted environment by simulating the PIC MCUs and dsPIC DSCs on an instruction level. On any given instruction, the data areas can be examined or modified and stimuli can be applied from a comprehensive stimulus controller. Registers can be logged to files for further run-time analysis. The trace buffer and logic analyzer display extend the power of the simulator to record and track program execution, actions on I/O, most peripherals and internal registers.

The MPLAB X SIM Software Simulator fully supports symbolic debugging using the MPLAB XC Compilers, and the MPASM and MPLAB Assemblers. The software simulator offers the flexibility to develop and debug code outside of the hardware laboratory environment, making it an excellent, economical software development tool.

## 31.7 MPLAB REAL ICE In-Circuit Emulator System

The MPLAB REAL ICE In-Circuit Emulator System is Microchip's next generation high-speed emulator for Microchip Flash DSC and MCU devices. It debugs and programs all 8, 16 and 32-bit MCU, and DSC devices with the easy-to-use, powerful graphical user interface of the MPLAB X IDE.

The emulator is connected to the design engineer's PC using a high-speed USB 2.0 interface and is connected to the target with either a connector compatible with in-circuit debugger systems (RJ-11) or with the new high-speed, noise tolerant, Low-Voltage Differential Signal (LVDS) interconnection (CAT5).

The emulator is field upgradeable through future firmware downloads in MPLAB X IDE. MPLAB REAL ICE offers significant advantages over competitive emulators including full-speed emulation, run-time variable watches, trace analysis, complex breakpoints, logic probes, a ruggedized probe interface and long (up to three meters) interconnection cables.

## 31.8 MPLAB ICD 3 In-Circuit Debugger System

The MPLAB ICD 3 In-Circuit Debugger System is Microchip's most cost-effective, high-speed hardware debugger/programmer for Microchip Flash DSC and MCU devices. It debugs and programs PIC Flash microcontrollers and dsPIC DSCs with the powerful, yet easy-to-use graphical user interface of the MPLAB IDE.

The MPLAB ICD 3 In-Circuit Debugger probe is connected to the design engineer's PC using a high-speed USB 2.0 interface and is connected to the target with a connector compatible with the MPLAB ICD 2 or MPLAB REAL ICE systems (RJ-11). MPLAB ICD 3 supports all MPLAB ICD 2 headers.

## 31.9 PICKit 3 In-Circuit Debugger/Programmer

The MPLAB PICKit 3 allows debugging and programming of PIC and dsPIC Flash microcontrollers at a most affordable price point using the powerful graphical user interface of the MPLAB IDE. The MPLAB PICKit 3 is connected to the design engineer's PC using a full-speed USB interface and can be connected to the target via a Microchip debug (RJ-11) connector (compatible with MPLAB ICD 3 and MPLAB REAL ICE). The connector uses two device I/O pins and the Reset line to implement in-circuit debugging and In-Circuit Serial Programming™ (ICSP™).

## 31.10 MPLAB PM3 Device Programmer

The MPLAB PM3 Device Programmer is a universal, CE compliant device programmer with programmable voltage verification at  $V_{DDMIN}$  and  $V_{DDMAX}$  for maximum reliability. It features a large LCD display (128 x 64) for menus and error messages, and a modular, detachable socket assembly to support various package types. The ICSP cable assembly is included as a standard item. In Stand-Alone mode, the MPLAB PM3 Device Programmer can read, verify and program PIC devices without a PC connection. It can also set code protection in this mode. The MPLAB PM3 connects to the host PC via an RS-232 or USB cable. The MPLAB PM3 has high-speed communications and optimized algorithms for quick programming of large memory devices, and incorporates an MMC card for file storage and data applications.

## 31.11 Demonstration/Development Boards, Evaluation Kits and Starter Kits

A wide variety of demonstration, development and evaluation boards for various PIC MCUs and dsPIC DSCs allows quick application development on fully functional systems. Most boards include prototyping areas for adding custom circuitry and provide application firmware and source code for examination and modification.

The boards support a variety of features, including LEDs, temperature sensors, switches, speakers, RS-232 interfaces, LCD displays, potentiometers and additional EEPROM memory.

The demonstration and development boards can be used in teaching environments, for prototyping custom circuits and for learning about various microcontroller applications.

In addition to the PICDEM™ and dsPICDEM™ demonstration/development board series of circuits, Microchip has a line of evaluation kits and demonstration software for analog filter design, KEELOQ® security ICs, CAN, IrDA®, PowerSmart battery management, SEEVAL® evaluation system, Sigma-Delta ADC, flow rate sensing, plus many more.

Also available are starter kits that contain everything needed to experience the specified device. This usually includes a single application and debug capability, all on one board.

Check the Microchip web page ([www.microchip.com](http://www.microchip.com)) for the complete list of demonstration, development and evaluation kits.

## 31.12 Third-Party Development Tools

Microchip also offers a great collection of tools from third-party vendors. These tools are carefully selected to offer good value and unique functionality.

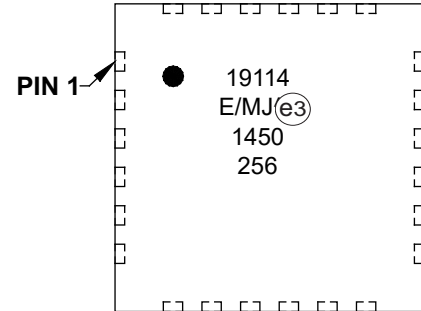
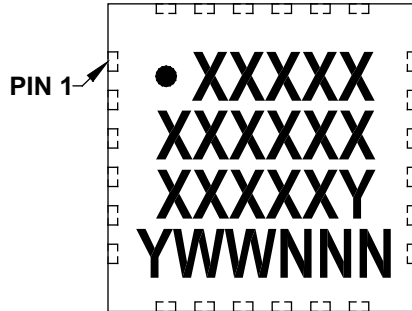
- Device Programmers and Gang Programmers from companies, such as SoftLog and CCS
- Software Tools from companies, such as Gimpel and Trace Systems
- Protocol Analyzers from companies, such as Saleae and Total Phase
- Demonstration Boards from companies, such as MikroElektronika, Digilent® and Olimex
- Embedded Ethernet Solutions from companies, such as EZ Web Lynx, WIZnet and IPLogika®

## 32.0 PACKAGING INFORMATION

### 32.1 Package Marking Information

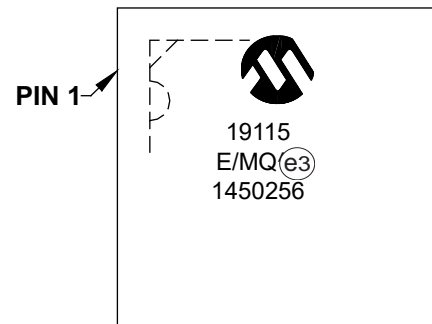
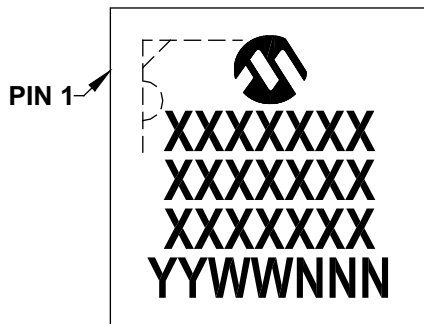
24-Lead QFN (4x4x0.9 mm) (MCP19114 only)

Example



28-Lead QFN (5x5x0.9 mm)

Example

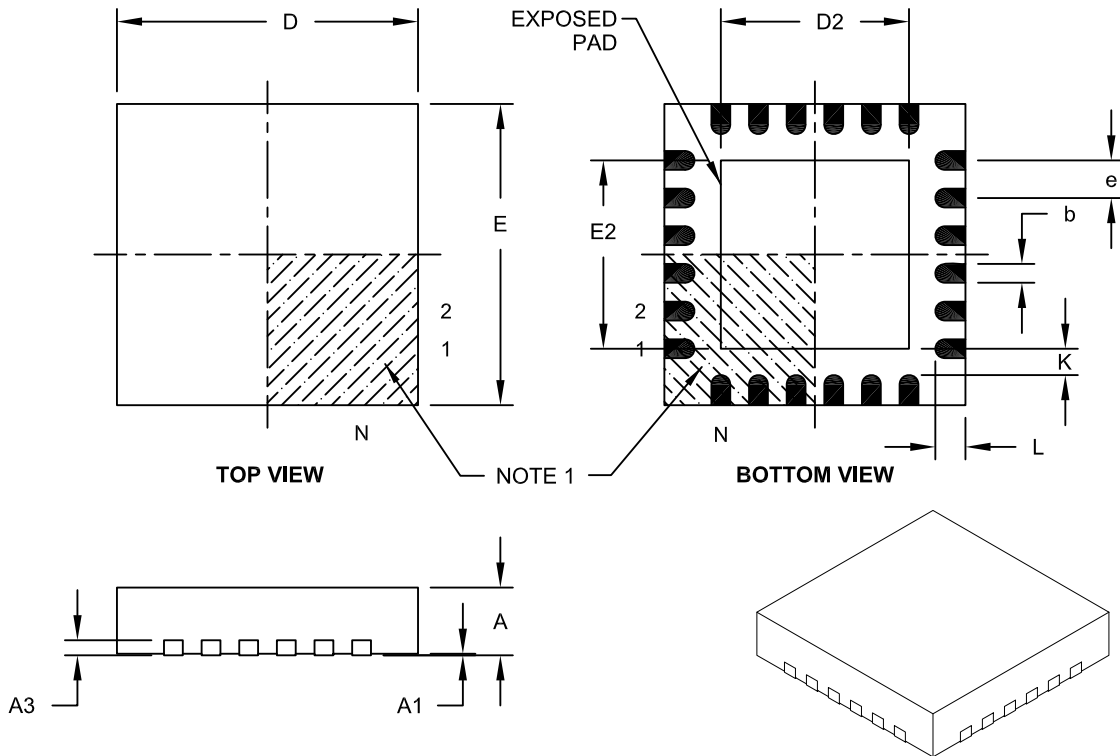


<b>Legend:</b>	XX...X	Customer-specific information
	Y	Year code (last digit of calendar year)
	YY	Year code (last 2 digits of calendar year)
	WW	Week code (week of January 1 is week '01')
	NNN	Alphanumeric traceability code
	(e3)	Pb-free JEDEC® designator for Matte Tin (Sn)
	*	This package is Pb-free. The Pb-free JEDEC designator (e3) can be found on the outer packaging for this package.
<b>Note:</b>	In the event the full Microchip part number cannot be marked on one line, it will be carried over to the next line, thus limiting the number of available characters for customer-specific information.	

# MCP19114/5

## 24-Lead Plastic Quad Flat, No Lead Package (MJ) – 4x4x0.9 mm Body [QFN]

**Note:** For the most current package drawings, please see the Microchip Packaging Specification located at <http://www.microchip.com/packaging>



Dimension Limits	Units	MILLIMETERS		
		MIN	NOM	MAX
Number of Pins	N	24		
Pitch	e	0.50 BSC		
Overall Height	A	0.80	0.85	0.90
Standoff	A1	0.00	0.02	0.05
Contact Thickness	A3	0.20 REF		
Overall Width	E	4.00 BSC		
Exposed Pad Width	E2	2.40	2.50	2.60
Overall Length	D	4.00 BSC		
Exposed Pad Length	D2	2.40	2.50	2.60
Contact Width	b	0.20	0.25	0.30
Contact Length	L	0.30	0.40	0.50
Contact-to-Exposed Pad	K	0.20	-	-

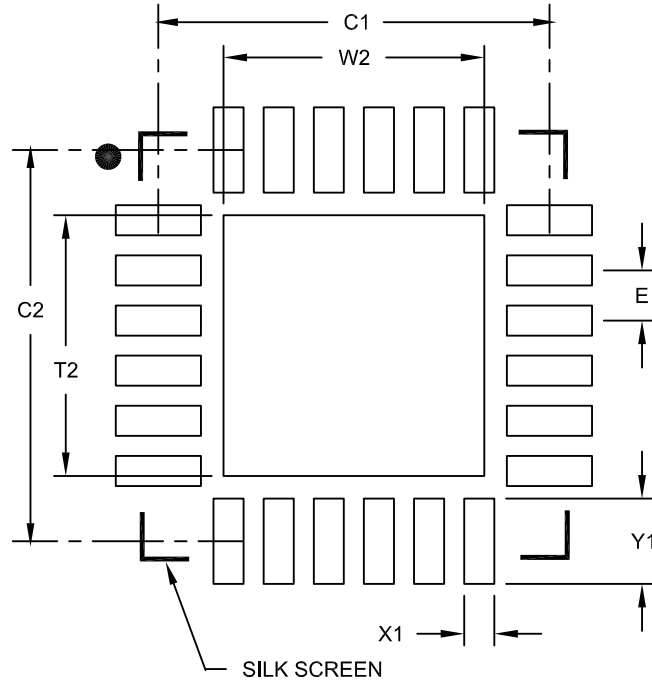
**Notes:**

- Pin 1 visual index feature may vary, but must be located within the hatched area.
- Package is saw singulated.
- Dimensioning and tolerancing per ASME Y14.5M.  
 BSC: Basic Dimension. Theoretically exact value shown without tolerances.  
 REF: Reference Dimension, usually without tolerance, for information purposes only.

Microchip Technology Drawing C04-143A

## 24-Lead Plastic Quad Flat, No Lead Package (MJ) - 4x4 mm Body [QFN]

**Note:** For the most current package drawings, please see the Microchip Packaging Specification located at <http://www.microchip.com/packaging>



RECOMMENDED LAND PATTERN

Dimension Limits	Units	MILLIMETERS		
		MIN	NOM	MAX
Contact Pitch	E		0.50 BSC	
Optional Center Pad Width	W2			2.60
Optional Center Pad Length	T2			2.60
Contact Pad Spacing	C1		3.90	
Contact Pad Spacing	C2		3.90	
Contact Pad Width	X1			0.30
Contact Pad Length	Y1			0.85

**Notes:**

1. Dimensioning and tolerancing per ASME Y14.5M

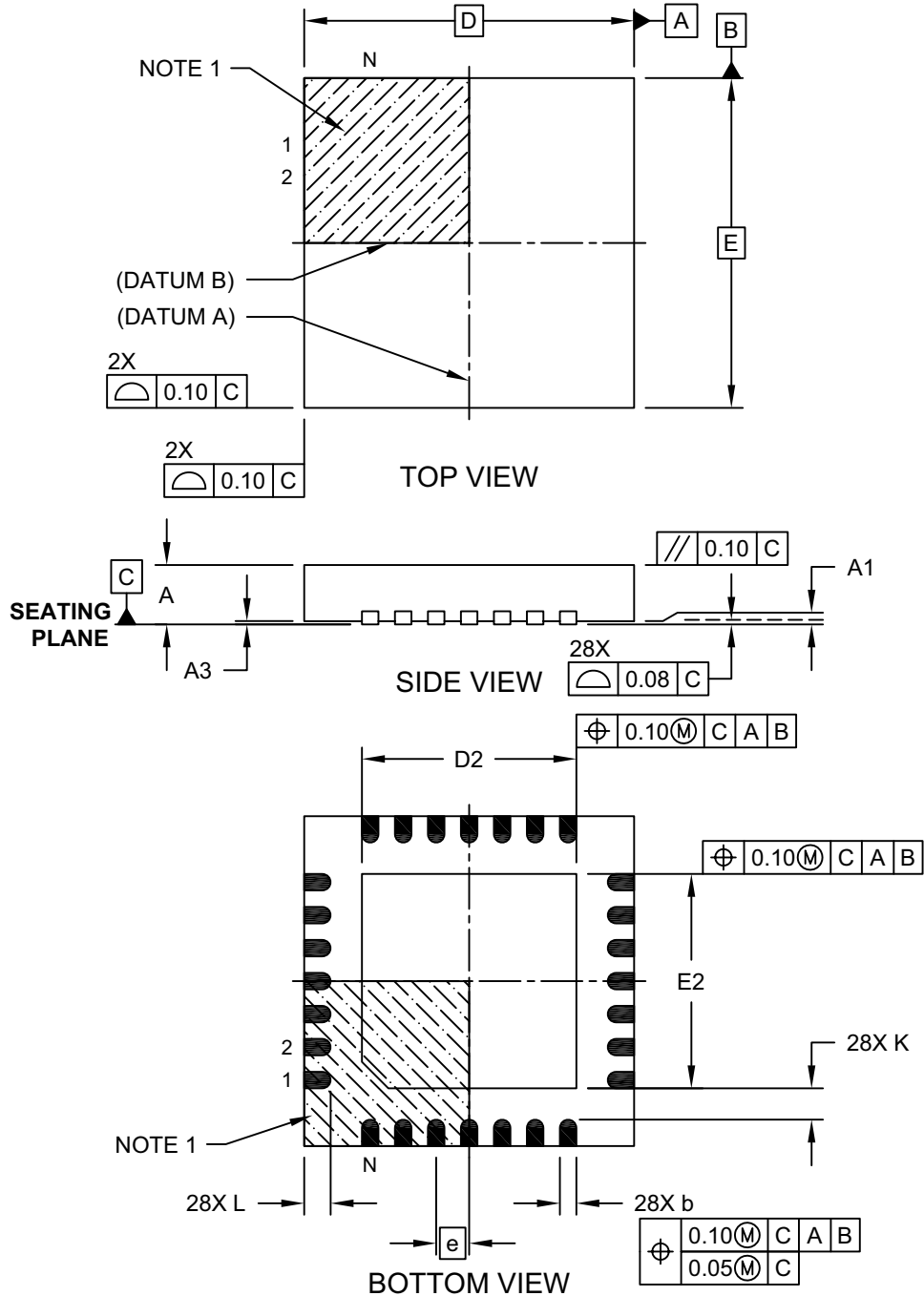
BSC: Basic Dimension. Theoretically exact value shown without tolerances.

Microchip Technology Drawing No. C04-2143B

# MCP19114/5

## 28-Lead Plastic Quad Flat, No Lead Package (MQ) – 5x5x0.9 mm Body [QFN or VQFN]

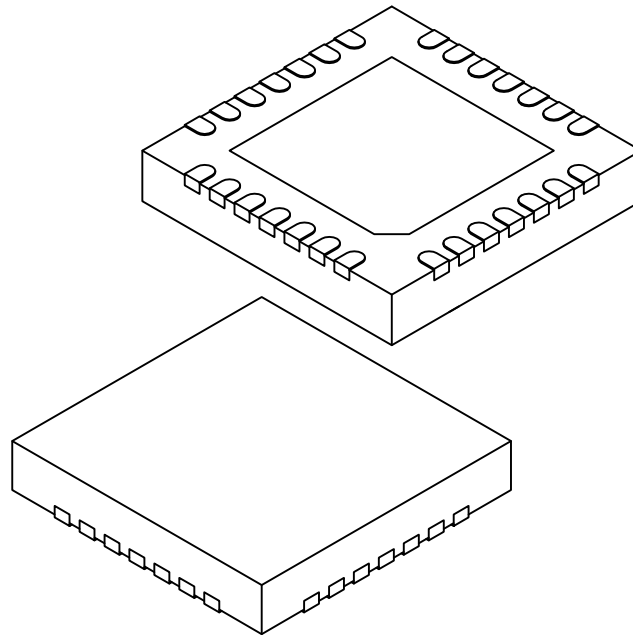
**Note:** For the most current package drawings, please see the Microchip Packaging Specification located at <http://www.microchip.com/packaging>



Microchip Technology Drawing C04-140C Sheet 1 of 2

## 28-Lead Plastic Quad Flat, No Lead Package (MQ) – 5x5x0.9 mm Body [QFN or VQFN]

**Note:** For the most current package drawings, please see the Microchip Packaging Specification located at <http://www.microchip.com/packaging>



Dimension Limits	Units	MILLIMETERS		
		MIN	NOM	MAX
Number of Pins	N	28		
Pitch	e	0.50 BSC		
Overall Height	A	0.80	0.90	1.00
Standoff	A1	0.00	0.02	0.05
Contact Thickness	A3	0.20 REF		
Overall Width	E	5.00 BSC		
Exposed Pad Width	E2	3.15	3.25	3.35
Overall Length	D	5.00 BSC		
Exposed Pad Length	D2	3.15	3.25	3.35
Contact Width	b	0.18	0.25	0.30
Contact Length	L	0.35	0.40	0.45
Contact-to-Exposed Pad	K	0.20	-	-

**Notes:**

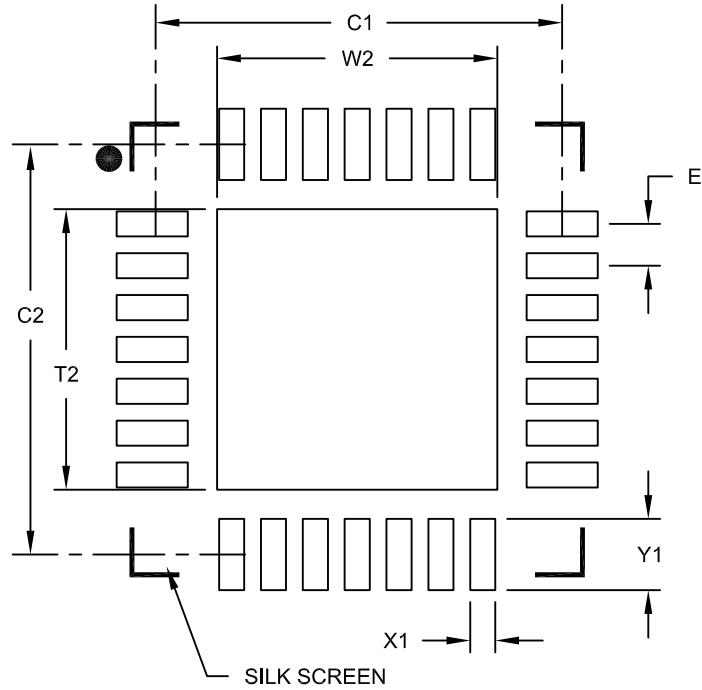
1. Pin 1 visual index feature may vary, but must be located within the hatched area.
2. Package is saw singulated.
3. Dimensioning and tolerancing per ASME Y14.5M.  
 BSC: Basic Dimension. Theoretically exact value shown without tolerances.  
 REF: Reference Dimension, usually without tolerance, for information purposes only.

Microchip Technology Drawing C04-140C Sheet 2 of 2

# MCP19114/5

## 28-Lead Plastic Quad Flat, No Lead Package (MQ) – 5x5 mm Body [QFN] Land Pattern With 0.55 mm Contact Length

**Note:** For the most current package drawings, please see the Microchip Packaging Specification located at <http://www.microchip.com/packaging>



RECOMMENDED LAND PATTERN

Dimension Limits	Units	MILLIMETERS		
		MIN	NOM	MAX
Contact Pitch	E	0.50 BSC		
Optional Center Pad Width	W2			3.35
Optional Center Pad Length	T2			3.35
Contact Pad Spacing	C1		4.90	
Contact Pad Spacing	C2		4.90	
Contact Pad Width (X28)	X1			0.30
Contact Pad Length (X28)	Y1			0.85

**Notes:**

1. Dimensioning and tolerancing per ASME Y14.5M

BSC: Basic Dimension. Theoretically exact value shown without tolerances.

Microchip Technology Drawing C04-2140A

## APPENDIX A: REVISION HISTORY

### Revision C (December 2020)

The following is the list of modifications:

1. Updated the [Electrical Characteristics](#) table.
2. Updated [Table 5-3](#), [Table 5-5](#) and [Table 5-7](#).
3. Updated [Register 6-9](#) and [Register 6-13](#).
4. Updated [Section 10.1.1.1 “RETLW Instruction”](#) and [Section 10.1.1.2 “Indirect Read with Files Select Register \(FSR\)”](#).
5. Updated terminology throughout the document.

### Revision B (February 2015)

The following is the list of modifications:

1. Updated the [Features](#) section.
2. Updated the [Electrical Characteristics](#) table.
3. Updated [Tables 5-5](#) and [5-6](#).
4. Updated [Section 2.0 “Pin Description”](#) with a note on GPIO power-up.
5. Updated [Section 6.1 “Input Undervoltage and Overvoltage Lockout \(UVLO and OVLO\)”](#).
6. Updated [Figure 7-14](#) and added [Figures 7-15](#) and [7-16](#) in [Section 7.0 “Typical Performance Curves”](#).
7. Updated [Section 13.1 “Power-On Reset \(POR\)”](#) and [Section 13.3 “Brown-Out Reset \(BOR\)”](#).
8. Updated [Section 15.0 “Power-Down Mode \(Sleep\)”](#).
9. Updated [Section 20.2 “Temperature Output”](#).
10. Updated [Equation 20-1](#).

### Revision A (March 2014)

- Original Release of this Document.

# MCP19114/5

---

NOTES:

## INDEX

## A

A/D	
Specifications	3, 5, 35
A/D Conversion. <i>See</i> ADC	
ABECON Register	49
Absolute Maximum Ratings	22
AC Characteristics	30
ACKSTAT	
Status Flag	179
ADC	127
10-Bit Result Format	129
Acquisition Requirements	133
Associated Registers	135
Block Diagram	127
Calculating Acquisition Time	133
Channel Selection	128
Configuration	128
Configuring Interrupt	130
Conversion Clock	128
Conversion Procedure	130
Internal Sampling Switch ( $R_{SS}$ ) Impedance	133
Interrupts	129
Operation	130
Operation During Sleep	130
Port Configuration	128
Register Definitions	131
Requirements	35
Source Impedance ( $R_S$ )	133
Timing Diagram	36
ADCON0 Register	57, 131
ADCON1 Register	132
ADRESH Register	132
ADRESL Register	132
Analog Blocks Enable Control	49
Error Amplifier Disable	49
Analog Peripheral Control	48
PWM Steering	48
Secondary Current Positive Sense Pull-Up	48
Analog-to-Digital Converter. <i>See</i> ADC	
ANSELA Register	114
ANSELB Register	119
Application Diagrams	
MCP19114 Boost Quasi-Resonant	11
MCP19114 Cuk' Synchronous Positive Output	11
Assembler	
MPASM Assembler	212

## B

Bench Testing	
System	57
BF	181
Status Flag	179
BF Status Flag	181
Block Diagrams	
ADC	127
ADC Transfer Function	134
Analog Input Model	134
Baud Rate Generator	190
Capture Mode Operation	149
Compare Mode Operation	150
Interrupt Logic	94
MCP19114/5 Flyback Synchronous Quasi-Resonant	10
Microcontroller Core	12

MSSP ( $I^2C$ Host Mode)	155
MSSP ( $I^2C$ Client Mode)	156
On-Chip Reset Circuit	85
Pulse-Width Modulation (PWM)	146
Recommended MCLR Circuit	86
Timer0	137
Timer1	139
Timer2	143
Watchdog Timer with Shared Prescale	103
Brown-Out Reset (BOR)	87

## C

C Compilers	
MPLAB XC	212
Calibration Word Registers	
CALWD1 (Calibration Word 1)	59
CALWD10 (Calibration Word 10)	66
CALWD11 (Calibration Word 11)	67
CALWD2 (Calibration Word 2)	60
CALWD3 (Calibration Word 3)	61
CALWD4 (Calibration Word 4)	61
CALWD5 (Calibration Word 5)	62
CALWD6 (Calibration Word 6)	62
CALWD7 (Calibration Word 7)	63
CALWD8 (Calibration Word 8)	64
CALWD9 (Calibration Word 9)	65
Capture Mode	
Block Diagram	149
Capture/Compare (CCD) Module	
Capture Mode	149
CCP1IF	149
CCX Pin Configuration	149
Prescaler	149
Software Interrupt	149
Timer1 Mode Selection	149
Compare Mode	
CCP1IF	150
CMPX Pin Configuration	150
Software Interrupt	150
Special Event Trigger	150
Timer1 Mode Selection	150
Register	151
CCDCON Register	151
Clock Switching	84
Code Example	
Indirect Addressing	80
Code Examples	
A/D Conversion	130
Assigning Prescaler to Timer0	138
Assigning Prescaler to WDT	138
Initializing PORTGPA	111
Saving Status and W Registers in RAM	100
Compare Mode	
Block Diagram	150
Computed Function Calls	79
Computed GOTO	79
Configuration Word	81
Registers Associated with Clock Sources	84
with Watchdog Timer	104
Current Sense	19
Customer Change Notification Service	229
Customer Support	229

# MCP19114/5

## D

Data Memory	
Core Registers .....	71
STATUS Register .....	71
General Purpose Registers .....	70
Map .....	73
Organization .....	70
Special Function Registers .....	70, 72
DC and AC Characteristics .....	53
Graphs and Tables .....	53
DEADCON Register .....	45
DESATCON Register .....	41
Desaturation Detection for Quasi-Resonant Operation .....	41
Development Support .....	211
Device Calibration .....	59
CALWD1 (Calibration Word 1) .....	59
CALWD10 (Calibration Word 10) .....	66
CALWD11 (Calibration Word 11) .....	67
CALWD2 (Calibration Word 2) .....	60
CALWD3 (Calibration Word 3) .....	61
CALWD4 (Calibration Word 4) .....	61
CALWD5 (Calibration Word 5) .....	62
CALWD6 (Calibration Word 6) .....	62
CALWD7 (Calibration Word 7) .....	63
CALWD8 (Calibration Word 8) .....	64
CALWD9 (Calibration Word 9) .....	65
Device Configuration .....	37, 81
Code Protection .....	82
Configuration Word .....	81
ID Locations .....	82
Write Protection .....	82
Device Overview .....	9
Digital Electrical Characteristics .....	29
Direct Addressing .....	80
Driver Control Circuitry .....	20

## E

Electrical Characteristics .....	22
Errata .....	7
External Clock	
Timing .....	30
Timing Requirements .....	30

## F

Features .....	1
Microcontroller .....	1
Timer0 Module .....	137
Timer1 Module .....	139
File Select Register. See FSR	
Firmware Instructions .....	199
Flash Program Memory	
Control .....	105
Operation During Code Protect .....	109
Operation During Write Protect .....	109
Protection Against Spurious Write .....	109
Registers .....	106
Reading .....	108
Writing to .....	109
FSR	
Register .....	79

## G

General Purpose Register. See GPR	
GPR	
Register .....	70

## I

I/O	
Ports .....	111
i <sup>2</sup> C Mode (MSSP)	
Acknowledge Sequence .....	160
Acknowledge Sequence Timing .....	183
Associated Registers .....	189
Bus Collision	
During a Repeated Start Condition .....	187
During a Start Condition .....	185
During a Stop Condition .....	188
Effects of a Reset .....	184
i <sup>2</sup> C Clock Rate w/BRG .....	190
Host Mode .....	176
Clock Arbitration .....	176
Operation .....	176
Reception .....	181
Repeated Start Condition Timing .....	178
Start Condition Timing .....	177
Transmission .....	179
Multi-Host Communication, Bus Collision and Arbitration	184
Multi-Host Mode .....	184
Operation .....	158
Overview .....	156
Read/Write Bit Information (R/W Bit) .....	160
Client Mode	
10-bit Address Reception .....	170
Bus Collision .....	166
Clock Stretching .....	174
Clock Synchronization .....	174
General Call Address Support .....	175
Operation .....	160
SSPMSK1 Register .....	175
Transmission .....	166
Sleep Operation .....	184
Stop Condition Timing .....	183
ICLBCON Register .....	43
ICOACON Register .....	42
In-Circuit Serial Programming (ICSP) .....	209
Common Programming Interfaces .....	209
INDF	
Register .....	79
Indirect Addressing .....	79, 80
Input .....	22
Overvoltage Lockout .....	37
Type .....	13
Undervoltage Lockout .....	37
Instruction Format .....	199
Instruction Set .....	199
ADDLW .....	201
ADDWF .....	201
ANDLW .....	201
ANDWF .....	201
BCF .....	201
BSF .....	201
BTFSC .....	201
BTFSS .....	202
CALL .....	202
CLRf .....	202
CLRW .....	202
CLRWDt .....	202
COMF .....	202
DECf .....	202
DECFSZ .....	203

GOTO .....	203	MPLAB Integrated Development Environment Software..	211
INCF.....	203	MPLAB PM3 Device Programmer .....	213
INCFSZ.....	203	MPLAB REAL ICE In-Circuit Emulator System .....	213
IORLW .....	203	MPLAB X SIM Software Simulator .....	213
IORWF.....	203	MPLINK Object Linker/MPLIB Object Librarian .....	212
MOVF.....	204	MSSP .....	155
MOVLW .....	204	Arbitration .....	157
MOVWF .....	204	Baud Rate Generator .....	190
NOP .....	204	Block Diagram (I <sup>2</sup> C Host Mode) .....	155
RETFIE .....	205	Block Diagram (I <sup>2</sup> C Client Mode) .....	156
RETLW .....	205	Clock Stretching .....	157
RETURN .....	205	I <sup>2</sup> C Bus Terms .....	158
RLF .....	205	I <sup>2</sup> C Host Mode .....	176
RRF.....	206	I <sup>2</sup> C Mode .....	156
SLEEP .....	206	I <sup>2</sup> C Mode Operation.....	158
SUBLW .....	206	I <sup>2</sup> C Client Mode Operation .....	160
SUBWF.....	206	Overview.....	155
Summary Table.....	200	<b>O</b>	
SWAPF .....	206	OPCODE Field Descriptions.....	199
XORLW .....	206	OPTION_REG Register.....	78
XORWF.....	207	Oscillator.....	83
INTCON Register.....	95	Associated Registers.....	84
Internal Sampling Switch (R <sub>SS</sub> ) Impedance .....	133	Calibration .....	83
Internet Address.....	229	Delay Upon Base Frequency Change .....	84
Interrupt-on-Change.....	121	Delay Upon Power-Up.....	84
Associated Registers .....	123	Delay Upon Wake-Up.....	84
Clearing Interrupt Flags .....	121	Frequency Tuning.....	83
Enabling the Module .....	121	Internal.....	83
Individual Pin Configuration .....	121	OSCTUNE Register.....	83
Operation in Sleep .....	121	Output	
Registers.....	122	Drive Circuitry.....	19
Interrupts		Overvoltage .....	39
ADC .....	130	OVCON Register .....	39
Associated Registers .....	100	OVREFCON Register .....	39
Configuration Word w/ Clock Sources .....	84	Protection .....	39
Context Saving.....	100	Type.....	13
Control Registers .....	95	Output Regulation Reference Voltage Configuration.....	46
GPA2/INT.....	93	OVCON Register .....	39
Timer0.....	138	Overvoltage Lockout	
Timer1.....	140	Input.....	37
IOCA Register.....	122	OVREFCON Register.....	39
IOCB Register.....	122	<b>P</b>	
<b>L</b>		Packaging.....	215
Leading Edge Blanking .....	43	Marking.....	215
Linear Regulators.....	19	Specifications .....	216
<b>M</b>		PCL.....	79
Magnetic Desaturation Detection.....	19	Modifying .....	79
Host Synchronous Serial Port. See MSSP		PCLATH .....	79
MCLR.....	86	PCON Register.....	88, 91
Internal.....	86	PE1 Register .....	48
Memory Organization.....	69	Peak Current Mode.....	19
Data .....	70	PICkit 3 In-Circuit Debugger/PICkit 3 In-Circuit Programmer .	213
Program .....	69	PIE1 Register .....	96
Microchip Internet Web Site.....	229	PIE2 Register .....	97
Mode and RFB MUX Control .....	51	Pin Diagram	
MODECON Register.....	51	24-Pin QFN (MCP19114) .....	2
MOSFET .....	17	28-Pin QFN (MCP19115) .....	4
Driver		Pinout Description	
Dead Time .....	48	Summary .....	3, 5
Programmable Dead Time.....	45	Table.....	13
Undervoltage Lockout Selection .....	49	PIR1 Register .....	98
Gate Driver Enables.....	48	PIR2 Register .....	99
MPLAB Assembler, Linker, Librarian .....	212	PMADRH Register.....	105, 107
MPLAB ICD 3 In-Circuit Debugger System .....	213		

# MCP19114/5

PMADRL Register.....	105, 106	CALWD3 (Calibration Word 3).....	61
PMCON1 Register.....	105, 107	CALWD4 (Calibration Word 4).....	61
PMCON2 Register.....	105	CALWD5 (Calibration Word 5).....	62
PMDATH Register.....	106	CALWD6 (Calibration Word 6).....	62
PMDATL Register.....	106	CALWD7 (Calibration Word 7).....	63
PORTGPA.....	111, 121	CALWD8 (Calibration Word 8).....	64
ANSELA Register.....	112	CALWD9 (Calibration Word 9).....	65
Associated Registers.....	115	CCDCON (Dual Capture/Compare Control Module).....	151
Functions and Output Priorities.....	112	CONFIG (Configuration Word).....	81
Interrupt-on-Change.....	111	DEADCON (Driver Dead Time Control).....	45
Output Priority.....	112	DESATCON (Desaturation Comparator Control).....	41
Register.....	111, 113	FSR (File Select Register).....	79
Weak Pull-Ups.....	111	General Purpose Register.....	70
PORTGPB.....	116, 121	ICLEBCON (Input Current Leading Edge Blanking Control).....	43
ANSELB Register.....	116	ICOACON (Input Current Offset Adjust Control).....	42
Associated Registers.....	119	INDF.....	79
Functions and Output Priorities.....	117	INTCON (Interrupt Control).....	95
Interrupt-on-Change.....	116	IOCA (Interrupt-on-Change PORTGPA).....	122
Output Priority.....	117	IOCB (Interrupt-on-Change PORTGPB).....	122
Register.....	116, 117	MODECON (Main/Secondary and RFB MUX Control).....	51
Weak Pull-Ups.....	116	OPTION_REG (Option).....	78
Power-Down Mode (Sleep).....	101	OSCTUNE (Oscillator Tuning).....	83
Associated Registers.....	102	OVCON (Output Overvoltage Comparator Control).....	39
Power-On Reset (POR).....	86	OVREFCON (Output Overvoltage Detect Level).....	39
Power-Up Timer (PWRT).....	88	PCON (Power Control).....	88, 91
Primary Input Current Offset Adjust.....	42	PE1 (Analog Peripheral Enable1 Control).....	48
Program Memory.....		PIE1 (Peripheral Interrupt Enable 1).....	96
Map and Stack (MCP19114).....	69	PIE2 (Peripheral Interrupt Enable 2).....	97
Organization.....	69	PIR1 (Peripheral Interrupt Flag 1).....	98
Protection.....	82	PIR2 (Peripheral Interrupt Flag 2).....	99
Programming, Device Instructions.....	199	PMADRH (Program Memory Address High).....	105, 107
Pulse-Width Modulation.....		PMADRL (Program Memory Address Low).....	105, 106
Control Logic.....	153	PMCON1 (Program Memory Control 1).....	105, 107
Pulse-Width Modulation. See PWM.....		PMCON2 (Program Memory Control 2).....	105
PWM.....	34	PMDATH (Program Memory Data High).....	106
Associated Registers.....	147	PMDATL (Program Memory Data Low).....	106
Control Logic.....	153	PORTGPA.....	111, 113
Duty Cycle.....	147	PORTGPB.....	116, 117
Enhanced Module.....	145	SLPCRCON (Slope Compensation Ramp Control).....	44
Fixed Frequency.....	20	Special Function.....	70
Operation During Sleep.....	147	Special Registers Summary.....	
Output.....	146	Bank 0.....	74
Period.....	146	Bank 1.....	75
Requirements.....	34	Bank 2.....	76
Simplified Diagram.....	146	Bank 3.....	77
Stand-alone Mode.....	145	SSPADD (MSSP Address and Baud Rate 1).....	196
Standard Mode.....	145	SSPADD2 (MSSP Address 2).....	197
Steering.....	48	SSPCON1 (SSP Control 1).....	192
Switching Frequency Synchronization Mode.....	145	SSPCON2 (SSP Control 2).....	194
Timing Diagram.....	34	SSPCON3 (SSP Control 3).....	195
<b>R</b> .....		SSPMSK (SSP Mask 1).....	196
Read-Modify-Write Operations.....	199	SSPMSK1 (SSP Mask).....	175
Registers.....		SSPMSK2 (SSP Mask 2).....	197
ABECON (Analog Block Enable Control).....	49	SSPSTAT (SSP Status).....	191
ADCON0 (A/D Control 0).....	131	STATUS.....	71
ADCON0 (Analog-to-Digital Control).....	57	T1CON (Timer1 Control).....	140
ADCON1 (A/D Control 1).....	132	T2CON (Timer2 Control).....	144
ADRESH (ADC Result High).....	132	TRISGPA (PORTGPA Tri-State).....	111, 113
ADRESL (ADC Result Low).....	132	TRISGPB (PORTGPB Tri-State).....	116, 118
ANSELA (Analog Select GPA).....	114	VINCON (UVLO and OVLO Comparator Control).....	37
ANSELB (Analog Select GPB).....	119	VINOVLO (Input Overvoltage Lockout).....	38
CALWD1 (Calibration Word 1).....	59	VINUULO (Input Undervoltage Lockout).....	38
CALWD10 (Calibration Word 10).....	66	VREF2CON (V <sub>REF2</sub> Voltage Set Point).....	47
CALWD11 (Calibration Word 11).....	67	VREFCON (Current/Voltage Regulation Set Point Control).....	
CALWD2 (Calibration Word 2).....	60		

trol).....	46	During Sleep.....	138
WPUGPA (Weak Pull-Up PORTGPA).....	114	Software Programmable Prescaler.....	137
WPUGPB (Weak Pull-Up PORTGPB).....	118	Switching Prescaler.....	138
Requirements		T0CKI.....	138
A/D Acquisition.....	133	TMR0 Register.....	137
A/D Conversion.....	35	Timer1.....	139
External Clock, Timing.....	30	Associated Registers.....	141
I/O, Timing.....	31	Block Diagram.....	139
PWM.....	34	Clock Source Selection.....	139
Reset, Watchdog Timer, Oscillator Start-Up Timer and		Control Register.....	140
Power-Up Timer.....	33	External Clock Timing.....	33
Timer0 External Clock.....	34	Interrupt.....	140
Resets.....	85	Module.....	139
Associated Registers.....	91	Features.....	139
Brown-Out.....	87	Operation.....	139
Determining Causes.....	89	During Sleep.....	140
Power-On.....	86	Prescaler.....	140
Watchdog Timer.....	88	TMR1H Register.....	139
<b>S</b>		TMR1L Register.....	139
Sleep		Timer2.....	
Wake-Up from.....	101	Associated Registers.....	144
Wake-Up Using Interrupts.....	102	Block Diagram.....	143
Slope Compensation.....	44	Control Register.....	144
SLPCRCON Register.....	44	Module.....	143
Software Simulator (MPLAB X SIM).....	213	Features.....	143
Special Event Trigger		Operation.....	143
Capture/Compare Module.....	150	Timers	
Special Function Registers (SFR).....	70	Timer1 (T1CON).....	139
SSPADD Register.....	196	Timer2 (T2CON).....	143
SSPADD2 Register.....	197	Timing Diagrams	
SSPCON1 Register.....	192	A/D Conversion.....	36
SSPCON2 Register.....	194	Acknowledge Sequence.....	183
SSPCON3 Register.....	195	Baud Rate Generator with Clock Arbitration.....	177
SSPMSK Register.....	196	BRG Reset Due to SDA Arbitration During Start Condi-	
SSPMSK1 Register.....	175	tion.....	186
SSPMSK2 Register.....	197	Bus Collision During a Repeated Start Condition (Case	
SSPOV.....	181	1).....	187
SSPOV Status Flag.....	181	Bus Collision During a Repeated Start Condition (Case	
SSPSTAT Register.....	191	2).....	187
R/W Bit.....	160	Bus Collision During a Start Condition (SCL = 0).....	186
Stack.....	79	Bus Collision During a Start Condition (SDA Only) ..	185
Start-Up.....	20	Bus Collision During a Stop Condition (Case 1).....	188
Start-Up Sequence.....	88	Bus Collision During a Stop Condition (Case 2).....	188
STATUS Register.....	71	Bus Collision for Transmit and Acknowledge.....	184
System Bench Testing.....	57	Clock Synchronization.....	174
<b>T</b>		First Start Bit.....	177
T1CON Register.....	140	I/O.....	31
T2CON Register.....	144	I <sup>2</sup> C Host Mode (7 or 10-Bit Transmission).....	180
Temperature Indicator Module.....	125	I <sup>2</sup> C Host Mode (7-Bit Reception).....	182
Circuit Operation.....	125	INT Pin Interrupt.....	94
Temperature Output.....	125	Power-Up Timer.....	32
Thermal Specifications.....	28	Pulse-Width Modulation.....	34
Timer0.....	137	Repeat Start Condition.....	178
8-bit Counter Mode.....	137	Reset.....	32
8-bit Timer Mode.....	137	Start-Up Timer.....	32
Associated Registers.....	138	Stop Condition Receive or Transmit Mode.....	183
Block Diagram.....	137	Time-Out Sequence	
External Clock.....	138	Case 1.....	88
Requirements.....	34	Case 2.....	89
Timing.....	33	Case 3.....	89
Interrupt.....	138	Timer0, External Clock.....	33
Module.....	137	Timer1, External Clock.....	33
Features.....	137	Wake-up from Interrupt.....	102
Operation.....	137	Watchdog Timer.....	32
		Timing Parameter Symbology.....	29

# MCP19114/5

---

TRISGPA .....	111
Register.....	111, 113
TRISGPB .....	116
Register.....	116, 118
Typical Performance Curves .....	53

## U

Undervoltage Lockout	
Input .....	37
Selection for MOSFET Driver .....	49

## V

VINCON Register .....	37
VINOVLO Register .....	38
VINUVLO Register .....	38
V <sub>REF2</sub> Voltage Reference.....	47
VREF2CON Register .....	47
VREFCON Register .....	46

## W

Watchdog Timer. See WDT	
WCOL .....	183
Status Flag .....	177, 179, 181, 183
WCOL Status Flag .....	183
WDT .....	103
Associated Registers .....	104
Block Diagram.....	103
Configuration Word w/ Watchdog Timer .....	104
Operation .....	103
Period.....	103
Programming Considerations .....	103
Reset.....	88
Switching Prescaler .....	138
WPUGPA Register .....	114
WPUGPB Register .....	118
WWW Address .....	229
WWW, On-Line Support.....	7

## THE MICROCHIP WEB SITE

Microchip provides online support via our web site at [www.microchip.com](http://www.microchip.com). This web site is used as a means to make files and information easily available to customers. Accessible by using your favorite Internet browser, the web site contains the following information:

- **Product Support** – Data sheets and errata, application notes and sample programs, design resources, user's guides and hardware support documents, latest software releases and archived software
- **General Technical Support** – Frequently Asked Questions (FAQ), technical support requests, online discussion groups, Microchip consultant program member listing
- **Business of Microchip** – Product selector and ordering guides, latest Microchip press releases, listing of seminars and events, listings of Microchip sales offices, distributors and factory representatives

## CUSTOMER CHANGE NOTIFICATION SERVICE

Microchip's customer notification service helps keep customers current on Microchip products. Subscribers will receive e-mail notification whenever there are changes, updates, revisions or errata related to a specified product family or development tool of interest.

To register, access the Microchip web site at [www.microchip.com](http://www.microchip.com). Under "Support", click on "Customer Change Notification" and follow the registration instructions.

## CUSTOMER SUPPORT

Users of Microchip products can receive assistance through several channels:

- Distributor or Representative
- Local Sales Office
- Field Application Engineer (FAE)
- Technical Support

Customers should contact their distributor, representative or Field Application Engineer (FAE) for support. Local sales offices are also available to help customers. A listing of sales offices and locations is included in the back of this document.

**Technical support is available through the web site at: <http://www.microchip.com/support>**

# MCP19114/5

---

NOTES:

## PRODUCT IDENTIFICATION SYSTEM

To order or obtain information, e.g., on pricing or delivery, refer to the factory or the listed sales office.

<u>PART NO.</u>	<u>[X]<sup>(1)</sup></u>	<u>-X</u>	<u>XX</u>	<u>XXX</u>	
Device	Tape and Reel Option	Temperature Range	Package	Pattern	Examples:
<p><b>Device:</b> MCP19114: Digitally Enhanced PWM Power Analog High-Speed Controller MCP19115: Digitally Enhanced PWM Power Analog High-Speed Controller</p> <p><b>Tape and Reel Option:</b> Blank = Standard packaging (tube) T = Tape and Reel</p> <p><b>Temperature Range:</b> E = -40°C to +125°C (Extended)</p> <p><b>Package:</b> MJ = 24-Lead Plastic Quad Flat, No Lead Package - 4x4x0.9 mm Body (QFN) MQ = 28-Lead Plastic Quad Flat, No Lead Package - 5x5x0.9 mm Body (QFN)</p>					<p>a) MCP19114-E/MJ: Extended Temperature, 24 LD QFN 4x4 package</p> <p>b) MCP19114T-E/MJ: Tape and Reel, Extended Temperature, 24 LD QFN 4x4 package</p> <p>a) MCP19115-E/MQ: Extended Temperature, 28 LD QFN 5x5 package</p> <p>b) MCP19115T-E/MQ: Tape and Reel, Extended Temperature, 28 LD QFN 5x5 package</p>
					<p><b>Note 1:</b> Tape and Reel identifier only appears in the catalog part number description. This identifier is used for ordering purposes and is not printed on the device package. Check with your Microchip Sales Office for package availability with the Tape and Reel option.</p>

# MCP19114/5

---

NOTES:

---

**Note the following details of the code protection feature on Microchip devices:**

- Microchip products meet the specifications contained in their particular Microchip Data Sheet.
- Microchip believes that its family of products is secure when used in the intended manner and under normal conditions.
- There are dishonest and possibly illegal methods being used in attempts to breach the code protection features of the Microchip devices. We believe that these methods require using the Microchip products in a manner outside the operating specifications contained in Microchip's Data Sheets. Attempts to breach these code protection features, most likely, cannot be accomplished without violating Microchip's intellectual property rights.
- Microchip is willing to work with any customer who is concerned about the integrity of its code.
- Neither Microchip nor any other semiconductor manufacturer can guarantee the security of its code. Code protection does not mean that we are guaranteeing the product is "unbreakable." Code protection is constantly evolving. We at Microchip are committed to continuously improving the code protection features of our products. Attempts to break Microchip's code protection feature may be a violation of the Digital Millennium Copyright Act. If such acts allow unauthorized access to your software or other copyrighted work, you may have a right to sue for relief under that Act.

---

Information contained in this publication is provided for the sole purpose of designing with and using Microchip products. Information regarding device applications and the like is provided only for your convenience and may be superseded by updates. It is your responsibility to ensure that your application meets with your specifications.

THIS INFORMATION IS PROVIDED BY MICROCHIP "AS IS". MICROCHIP MAKES NO REPRESENTATIONS OR WARRANTIES OF ANY KIND WHETHER EXPRESS OR IMPLIED, WRITTEN OR ORAL, STATUTORY OR OTHERWISE, RELATED TO THE INFORMATION INCLUDING BUT NOT LIMITED TO ANY IMPLIED WARRANTIES OF NON-INFRINGEMENT, MERCHANTABILITY, AND FITNESS FOR A PARTICULAR PURPOSE OR WARRANTIES RELATED TO ITS CONDITION, QUALITY, OR PERFORMANCE.

IN NO EVENT WILL MICROCHIP BE LIABLE FOR ANY INDIRECT, SPECIAL, PUNITIVE, INCIDENTAL OR CONSEQUENTIAL LOSS, DAMAGE, COST OR EXPENSE OF ANY KIND WHATSOEVER RELATED TO THE INFORMATION OR ITS USE, HOWEVER CAUSED, EVEN IF MICROCHIP HAS BEEN ADVISED OF THE POSSIBILITY OR THE DAMAGES ARE FORESEEABLE. TO THE FULLEST EXTENT ALLOWED BY LAW, MICROCHIP'S TOTAL LIABILITY ON ALL CLAIMS IN ANY WAY RELATED TO THE INFORMATION OR ITS USE WILL NOT EXCEED THE AMOUNT OF FEES, IF ANY, THAT YOU HAVE PAID DIRECTLY TO MICROCHIP FOR THE INFORMATION. Use of Microchip devices in life support and/or safety applications is entirely at the buyer's risk, and the buyer agrees to defend, indemnify and hold harmless Microchip from any and all damages, claims, suits, or expenses resulting from such use. No licenses are conveyed, implicitly or otherwise, under any Microchip intellectual property rights unless otherwise stated.

For information regarding Microchip's Quality Management Systems, please visit [www.microchip.com/quality](http://www.microchip.com/quality).

**Trademarks**

The Microchip name and logo, the Microchip logo, Adaptec, AnyRate, AVR, AVR logo, AVR Freaks, BesTime, BitCloud, chipKIT, chipKIT logo, CryptoMemory, CryptoRF, dsPIC, FlashFlex, flexPWR, HELDO, IGLOO, JukeBlox, KeeLoq, Klear, LANCheck, LinkMD, maXStylus, maXTouch, MediaLB, megaAVR, Microsemi, Microsemi logo, MOST, MOST logo, MPLAB, OptoLyzer, PackTime, PIC, picoPower, PICSTART, PIC32 logo, PolarFire, Prochip Designer, QTouch, SAM-BA, SenGenuity, SpyNIC, SST, SST Logo, SuperFlash, Symmetricom, SyncServer, Tachyon, TempTracker, TimeSource, tinyAVR, UNI/O, Vectron, and XMEGA are registered trademarks of Microchip Technology Incorporated in the U.S.A. and other countries.

APT, ClockWorks, The Embedded Control Solutions Company, EtherSynch, FlashTec, Hyper Speed Control, HyperLight Load, IntelliMOS, Libero, motorBench, mTouch, Powermite 3, Precision Edge, ProASIC, ProASIC Plus, ProASIC Plus logo, Quiet-Wire, SmartFusion, SyncWorld, Temux, TimeCesium, TimeHub, TimePictra, TimeProvider, Vite, WinPath, and ZL are registered trademarks of Microchip Technology Incorporated in the U.S.A.

Adjacent Key Suppression, AKS, Analog-for-the-Digital Age, Any Capacitor, AnyIn, AnyOut, BlueSky, BodyCom, CodeGuard, CryptoAuthentication, CryptoAutomotive, CryptoCompanion, CryptoController, dsPICDEM, dsPICDEM.net, Dynamic Average Matching, DAM, ECAN, EtherGREEN, In-Circuit Serial Programming, ICSP, INICnet, Inter-Chip Connectivity, JitterBlocker, KlearNet, KlearNet logo, memBrain, Mindi, MiWi, MPASM, MPF, MPLAB Certified logo, MPLIB, MPLINK, MultiTRAK, NetDetach, Omniscient Code Generation, PICDEM, PICDEM.net, PICKit, PICtail, PowerSmart, PureSilicon, QMatrix, REAL ICE, Ripple Blocker, SAM-ICE, Serial Quad I/O, SMART-I.S., SQR, SuperSwitcher, SuperSwitcher II, Total Endurance, TSHARC, USBCheck, VariSense, ViewSpan, WiperLock, Wireless DNA, and ZENA are trademarks of Microchip Technology Incorporated in the U.S.A. and other countries.

SQTP is a service mark of Microchip Technology Incorporated in the U.S.A.

The Adaptec logo, Frequency on Demand, Silicon Storage Technology, and Symmcom are registered trademarks of Microchip Technology Inc. in other countries.

GestIC is a registered trademark of Microchip Technology Germany II GmbH & Co. KG, a subsidiary of Microchip Technology Inc., in other countries.

All other trademarks mentioned herein are property of their respective companies.

© 2014-2020, Microchip Technology Incorporated, All Rights Reserved.

ISBN: 978-1-5224-7407-4



# MICROCHIP

## Worldwide Sales and Service

### AMERICAS

**Corporate Office**  
2355 West Chandler Blvd.  
Chandler, AZ 85224-6199  
Tel: 480-792-7200  
Fax: 480-792-7277  
Technical Support:  
<http://www.microchip.com/support>  
Web Address:  
[www.microchip.com](http://www.microchip.com)

#### Atlanta

Duluth, GA  
Tel: 678-957-9614  
Fax: 678-957-1455

#### Austin, TX

Tel: 512-257-3370

#### Boston

Westborough, MA  
Tel: 774-760-0087  
Fax: 774-760-0088

#### Chicago

Itasca, IL  
Tel: 630-285-0071  
Fax: 630-285-0075

#### Dallas

Addison, TX  
Tel: 972-818-7423  
Fax: 972-818-2924

#### Detroit

Novi, MI  
Tel: 248-848-4000

#### Houston, TX

Tel: 281-894-5983

#### Indianapolis

Noblesville, IN  
Tel: 317-773-8323  
Fax: 317-773-5453  
Tel: 317-536-2380

#### Los Angeles

Mission Viejo, CA  
Tel: 949-462-9523  
Fax: 949-462-9608  
Tel: 951-273-7800

#### Raleigh, NC

Tel: 919-844-7510

#### New York, NY

Tel: 631-435-6000

#### San Jose, CA

Tel: 408-735-9110  
Tel: 408-436-4270

#### Canada - Toronto

Tel: 905-695-1980  
Fax: 905-695-2078

### ASIA/PACIFIC

**Australia - Sydney**  
Tel: 61-2-9868-6733

**China - Beijing**  
Tel: 86-10-8569-7000

**China - Chengdu**  
Tel: 86-28-8665-5511

**China - Chongqing**  
Tel: 86-23-8980-9588

**China - Dongguan**  
Tel: 86-769-8702-9880

**China - Guangzhou**  
Tel: 86-20-8755-8029

**China - Hangzhou**  
Tel: 86-571-8792-8115

**China - Hong Kong SAR**  
Tel: 852-2943-5100

**China - Nanjing**  
Tel: 86-25-8473-2460

**China - Qingdao**  
Tel: 86-532-8502-7355

**China - Shanghai**  
Tel: 86-21-3326-8000

**China - Shenyang**  
Tel: 86-24-2334-2829

**China - Shenzhen**  
Tel: 86-755-8864-2200

**China - Suzhou**  
Tel: 86-186-6233-1526

**China - Wuhan**  
Tel: 86-27-5980-5300

**China - Xian**  
Tel: 86-29-8833-7252

**China - Xiamen**  
Tel: 86-592-2388138

**China - Zhuhai**  
Tel: 86-756-3210040

### ASIA/PACIFIC

**India - Bangalore**  
Tel: 91-80-3090-4444

**India - New Delhi**  
Tel: 91-11-4160-8631

**India - Pune**  
Tel: 91-20-4121-0141

**Japan - Osaka**  
Tel: 81-6-6152-7160

**Japan - Tokyo**  
Tel: 81-3-6880-3770

**Korea - Daegu**  
Tel: 82-53-744-4301

**Korea - Seoul**  
Tel: 82-2-554-7200

**Malaysia - Kuala Lumpur**  
Tel: 60-3-7651-7906

**Malaysia - Penang**  
Tel: 60-4-227-8870

**Philippines - Manila**  
Tel: 63-2-634-9065

**Singapore**  
Tel: 65-6334-8870

**Taiwan - Hsin Chu**  
Tel: 886-3-577-8366

**Taiwan - Kaohsiung**  
Tel: 886-7-213-7830

**Taiwan - Taipei**  
Tel: 886-2-2508-8600

**Thailand - Bangkok**  
Tel: 66-2-694-1351

**Vietnam - Ho Chi Minh**  
Tel: 84-28-5448-2100

### EUROPE

**Austria - Wels**  
Tel: 43-7242-2244-39  
Fax: 43-7242-2244-393

**Denmark - Copenhagen**  
Tel: 45-4485-5910  
Fax: 45-4485-2829

**Finland - Espoo**  
Tel: 358-9-4520-820

**France - Paris**  
Tel: 33-1-69-53-63-20  
Fax: 33-1-69-30-90-79

**Germany - Garching**  
Tel: 49-8931-9700

**Germany - Haan**  
Tel: 49-2129-3766400

**Germany - Heilbronn**  
Tel: 49-7131-72400

**Germany - Karlsruhe**  
Tel: 49-721-625370

**Germany - Munich**  
Tel: 49-89-627-144-0  
Fax: 49-89-627-144-44

**Germany - Rosenheim**  
Tel: 49-8031-354-560

**Israel - Ra'anana**  
Tel: 972-9-744-7705

**Italy - Milan**  
Tel: 39-0331-742611  
Fax: 39-0331-466781

**Italy - Padova**  
Tel: 39-049-7625286

**Netherlands - Drunen**  
Tel: 31-416-690399  
Fax: 31-416-690340

**Norway - Trondheim**  
Tel: 47-7288-4388

**Poland - Warsaw**  
Tel: 48-22-3325737

**Romania - Bucharest**  
Tel: 40-21-407-87-50

**Spain - Madrid**  
Tel: 34-91-708-08-90  
Fax: 34-91-708-08-91

**Sweden - Gothenberg**  
Tel: 46-31-704-60-40

**Sweden - Stockholm**  
Tel: 46-8-5090-4654

**UK - Wokingham**  
Tel: 44-118-921-5800  
Fax: 44-118-921-5820