

74VHCT374A

Octal D-Type Flip-Flop with 3-STATE Outputs

Features

- High speed: $f_{MAX} = 140\text{MHz}$ (Typ.) at $T_A = 25^\circ\text{C}$
- High noise immunity: $V_{IH} = 2.0\text{V}$, $V_{IL} = 0.8\text{V}$
- Power down protection is provided on all inputs and outputs
- Low power dissipation: $I_{CC} = 4\mu\text{A}$ (Max.) @ $T_A = 25^\circ\text{C}$
- Pin and function compatible with 74HCT374

General Description

The VHCT374A is an advanced high speed CMOS octal flip-flop with 3-STATE output fabricated with silicon gate CMOS technology. It achieves the high speed operation similar to equivalent Bipolar Schottky TTL while maintaining the CMOS low power dissipation. This 8-bit D-type flip-flop is controlled by a clock input (CP) and an output enable input (\overline{OE}). When the \overline{OE} input is HIGH, the eight outputs are in a high impedance state.

Protection circuits ensure that 0V to 7V can be applied to the input and output⁽¹⁾ pins without regard to the supply voltage. This device can be used to interface 3V to 5V systems and two supply systems such as battery back up. This circuit prevents device destruction due to mismatched supply and input voltages.

Note:

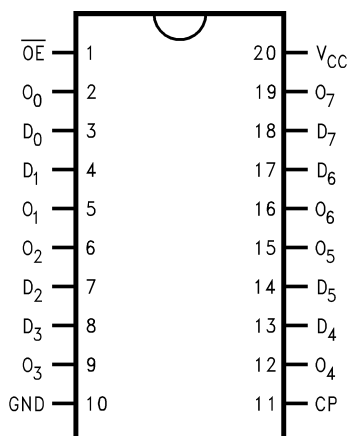
1. Outputs in OFF-State.

Ordering Information

| Order Number | Package Number | Package Description |
|---------------|----------------|---|
| 74VHCT374AM | M20B | 20-Lead Small Outline Integrated Circuit (SOIC), JEDEC MS-013, 0.300" Wide |
| 74VHCT374ASJ | M20D | 20-Lead Small Outline Package (SOP), EIAJ TYPE II, 5.3mm Wide |
| 74VHCT374AMTC | MTC20 | 20-Lead Thin Shrink Small Outline Package (TSSOP), JEDEC MO-153, 4.4mm Wide |

Surface mount packages are also available on Tape and Reel. Specify by appending the suffix letter "X" to the ordering number. Pb-Free package per JEDEC J-STD-020B.

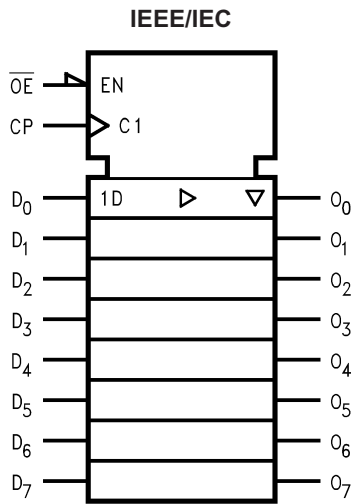
Connection Diagram



Pin Description

| Pin Names | Description |
|-----------------|-----------------------------|
| D_0-D_7 | Data Inputs |
| CP | Clock Pulse Input 3-STATE |
| \overline{OE} | Output Enable Input 3-STATE |
| O_0-O_7 | Outputs |

Logic Symbol



Functional Description

The VHCT374A consists of eight edge-triggered flip-flops with individual D-type inputs and 3-STATE true outputs. The buffered clock and buffered Output Enable are common to all flip-flops. The eight flip-flops will store the state of their individual D inputs that meet the setup and hold time requirements on the LOW-to-HIGH Clock (CP) transition. With the Output Enable (\overline{OE}) LOW, the contents of the eight flip-flops are available at the outputs. When the \overline{OE} is HIGH, the outputs go to the high impedance state. Operation of the \overline{OE} input does not affect the state of the flip-flops.

Truth Table

| Inputs | | | Outputs |
|--------|------------|-----------------|---------|
| D_n | CP | \overline{OE} | O_n |
| H | \nearrow | L | H |
| L | \nearrow | L | L |
| X | X | H | Z |

H = HIGH Voltage Level

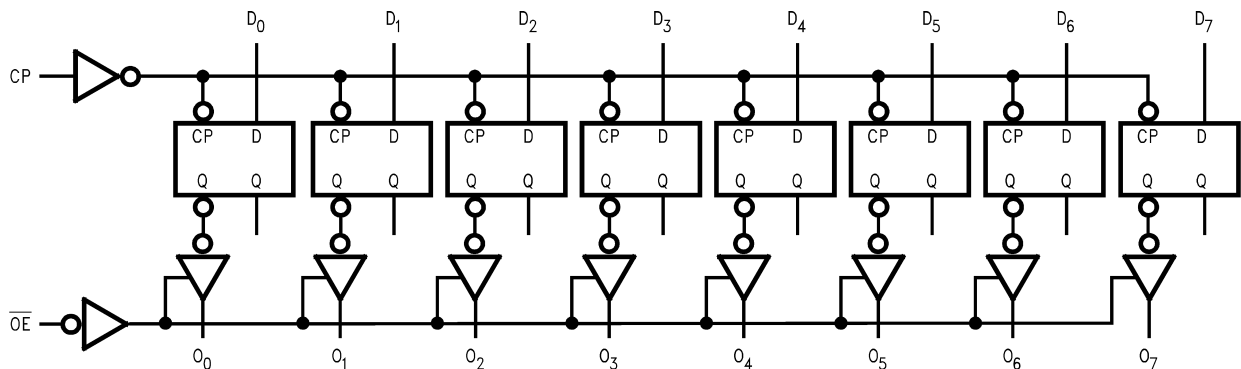
L = LOW Voltage Level

X = Immaterial

Z = High Impedance

\nearrow = LOW-to-HIGH Transition

Logic Diagram



Please note that this diagram is provided only for the understanding of logic operations and should not be used to estimate propagation delays.

Absolute Maximum Ratings

Stresses exceeding the absolute maximum ratings may damage the device. The device may not function or be operable above the recommended operating conditions and stressing the parts to these levels is not recommended. In addition, extended exposure to stresses above the recommended operating conditions may affect device reliability. The absolute maximum ratings are stress ratings only.

| Symbol | Parameter | Rating |
|-----------|--|--|
| V_{CC} | Supply Voltage | -0.5V to +7.0V |
| V_{IN} | DC Input Voltage | -0.5V to +7.0V |
| V_{OUT} | DC Output Voltage Note 2 Note 3 | -0.5V to $V_{CC} + 0.5V$ -0.5V to +7.0V |
| I_{IK} | Input Diode Current | -20mA |
| I_{OK} | Output Diode Current ⁽⁴⁾ | $\pm 20mA$ |
| I_{OUT} | DC Output Current | $\pm 25mA$ |
| I_{CC} | DC V_{CC} / GND Current | $\pm 75mA$ |
| T_{STG} | Storage Temperature | -65°C to +150°C |
| T_L | Lead Temperature (Soldering, 10 seconds) | 260°C |

Recommended Operating Conditions⁽⁵⁾

The Recommended Operating Conditions table defines the conditions for actual device operation. Recommended operating conditions are specified to ensure optimal performance to the datasheet specifications. Fairchild does not recommend exceeding them or designing to absolute maximum ratings.

| Symbol | Parameter | Rating |
|------------|--|------------------------------|
| V_{CC} | Supply Voltage | 4.5V to +5.5V |
| V_{IN} | Input Voltage | 0V to +5.5V |
| V_{OUT} | Output Voltage Note 2 Note 3 | 0V to V_{CC} 0V to 5.5V |
| T_{OPR} | Operating Temperature | -40°C to +85°C |
| t_r, t_f | Input Rise and Fall Time, $V_{CC} = 5.0V \pm 0.5V$ | 0ns/V ~ 20ns/V |

Notes:

- HIGH or LOW state. I_{OUT} absolute maximum rating must be observed.
- When outputs are in OFF-State or when $V_{CC} = 0V$.
- $V_{OUT} < GND$, $V_{OUT} > V_{CC}$ (Outputs Active).
- Unused inputs must be held HIGH or LOW. They may not float.

DC Electrical Characteristics

| Symbol | Parameter | V _{CC} (V) | Conditions | T _A = 25°C | | | T _A = -40°C to +85°C | | Units |
|-------------------|---|---------------------|--|-------------------------|------|------|---------------------------------|------|-------|
| | | | | Min. | Typ. | Max. | Min. | Max. | |
| V _{IH} | HIGH Level Input Voltage | 4.5 | | 2.0 | | | 2.0 | | V |
| | | 5.5 | | 2.0 | | | 2.0 | | |
| V _{IL} | LOW Level Input Voltage | 4.5 | | | | 0.8 | | 0.8 | V |
| | | 5.5 | | | | 0.8 | | 0.8 | |
| V _{OH} | HIGH Level Output Voltage | 4.5 | V _{IN} = V _{IH} or V _{IL} | I _{OH} = -50μA | 4.40 | 4.50 | | 4.40 | V |
| | | | | I _{OH} = -8mA | 3.94 | | | 3.80 | |
| V _{OL} | LOW Level Output Voltage | 4.5 | V _{IN} = V _{IH} or V _{IL} | I _{OL} = +50μA | | 0.0 | 0.1 | 0.1 | V |
| | | | | I _{OL} = +8mA | | | 0.36 | 0.44 | |
| I _{OZ} | 3-STATE Output OFF-State Current | 5.5 | V _{IN} = V _{IH} or V _{IL} , V _{OUT} = V _{CC} or GND | | | | ±0.25 | ±2.5 | μA |
| I _{IN} | Input Leakage Current | 0–5.5 | V _{IN} = 5.5V or GND | | | | ±0.1 | ±1.0 | μA |
| I _{CC} | Quiescent Supply Current | 5.5 | V _{IN} = V _{CC} or GND | | | | 4.0 | 40.0 | μA |
| I _{CCCT} | Maximum I _{CC} /Input | 5.5 | V _{IN} = 3.4V, Other Inputs = V _{CC} or GND | | | | 1.35 | 1.50 | mA |
| I _{OFF} | Output Leakage Current (Power Down State) | 0.0 | V _{OUT} = 5.5V | | | | 0.5 | 5.0 | μA |

Noise Characteristics

| Symbol | Parameter | V _{CC} (V) | Conditions | T _A = 25°C | | Units |
|---------------------------------|--|---------------------|-----------------------|-----------------------|--------|-------|
| | | | | Typ. | Limits | |
| V _{OLP} ⁽⁶⁾ | Quiet Output Maximum Dynamic V _{OL} | 5.0 | C _L = 50pF | 1.2 | 1.6 | V |
| V _{OLV} ⁽⁶⁾ | Quiet Output Minimum Dynamic V _{OL} | 5.0 | C _L = 50pF | -1.2 | -1.6 | V |
| V _{IHD} ⁽⁶⁾ | Minimum HIGH Level Dynamic Input Voltage | 5.0 | C _L = 50pF | | 2.0 | V |
| V _{ILD} ⁽⁶⁾ | Maximum LOW Level Dynamic Input Voltage | 5.0 | C _L = 50pF | | 0.8 | V |

Note:

6. Parameter guaranteed by design.

AC Electrical Characteristics

| Symbol | Parameter | V _{CC} (V) | Conditions | T _A = 25°C | | | T _A = -40°C to +85°C | | Units |
|---------------------------------------|-------------------------------|---------------------|------------------------|-----------------------|------|------|---------------------------------|------|-------|
| | | | | Min. | Typ. | Max. | Min. | Max. | |
| t _{PLH} , t _{PHL} | Propagation Delay Time | 5.0 ± 0.5 | | C _L = 15pF | 4.1 | 9.4 | 1.0 | 10.5 | ns |
| | | | | C _L = 50pF | 5.6 | 10.4 | 1.0 | 11.5 | |
| t _{PZL} , t _{PZH} | 3-STATE Output Enable Time | 5.0 ± 0.5 | R _L = 1kΩ | C _L = 15pF | 6.5 | 10.2 | 1.0 | 11.5 | ns |
| | | | | C _L = 50pF | 7.3 | 11.2 | 1.0 | 12.5 | |
| t _{PLZ} , t _{PHZ} | 3-STATE Output Disable Time | 5.0 ± 0.5 | R _L = 1kΩ | C _L = 50pF | 7.0 | 11.2 | 1.0 | 12.0 | ns |
| t _{OSLH} , t _{OSSL} | Output to Output Skew | 5.0 ± 0.5 | (7) | | | 1.0 | | 1.0 | ns |
| f _{MAX} | Maximum Clock Frequency | 5.0 ± 0.5 | | C _L = 15pF | 90 | 140 | 80 | | MHz |
| | | | | C _L = 50pF | 85 | 130 | 75 | | |
| C _{IN} | Input Capacitance | | V _{CC} = Open | | 4 | 10 | | 10 | pF |
| C _{OUT} | Output Capacitance | | V _{CC} = 5.0V | | 9 | | | | pF |
| C _{PD} | Power Dissipation Capacitance | | (8) | | 25 | | | | pF |

Notes:

7. Parameter guaranteed by design. $t_{OSLH} = |t_{PLH \max} - t_{PLH \min}|$; $t_{OSSL} = |t_{PHL \max} - t_{PHL \min}|$
8. C_{PD} is defined as the value of the internal equivalent capacitance which is calculated from the operating current consumption without load. Average operating current can be obtained by the equation:
 $I_{CC}(\text{Opr.}) = C_{PD} \cdot V_{CC} \cdot f_{IN} + I_{CC} / 8$ (per F/F). The total C_{PD} when n pcs. of the octal D Flip-Flop operates can be calculated by the equation: $C_{PD}(\text{total}) = 20 + 12n$

AC Operating Requirements

| Symbol | Parameter | V _{CC} (V) | T _A = 25°C | | | T _A = -40°C to +85°C | | Units |
|---------------------------------------|--------------------------|---------------------|-----------------------|------|------|---------------------------------|------|-------|
| | | | Min. | Typ. | Max. | Min. | Max. | |
| t _{W(H)} , t _{W(L)} | Minimum Pulse Width (CP) | 5.0 ± 0.5 | 6.5 | | | 8.5 | | ns |
| t _S | Minimum Set-up Time | 5.0 ± 0.5 | 2.5 | | | 2.5 | | ns |
| t _H | Minimum Hold Time | 5.0 ± 0.5 | 2.5 | | | 2.5 | | ns |

Physical Dimensions

Dimensions are in millimeters unless otherwise noted.

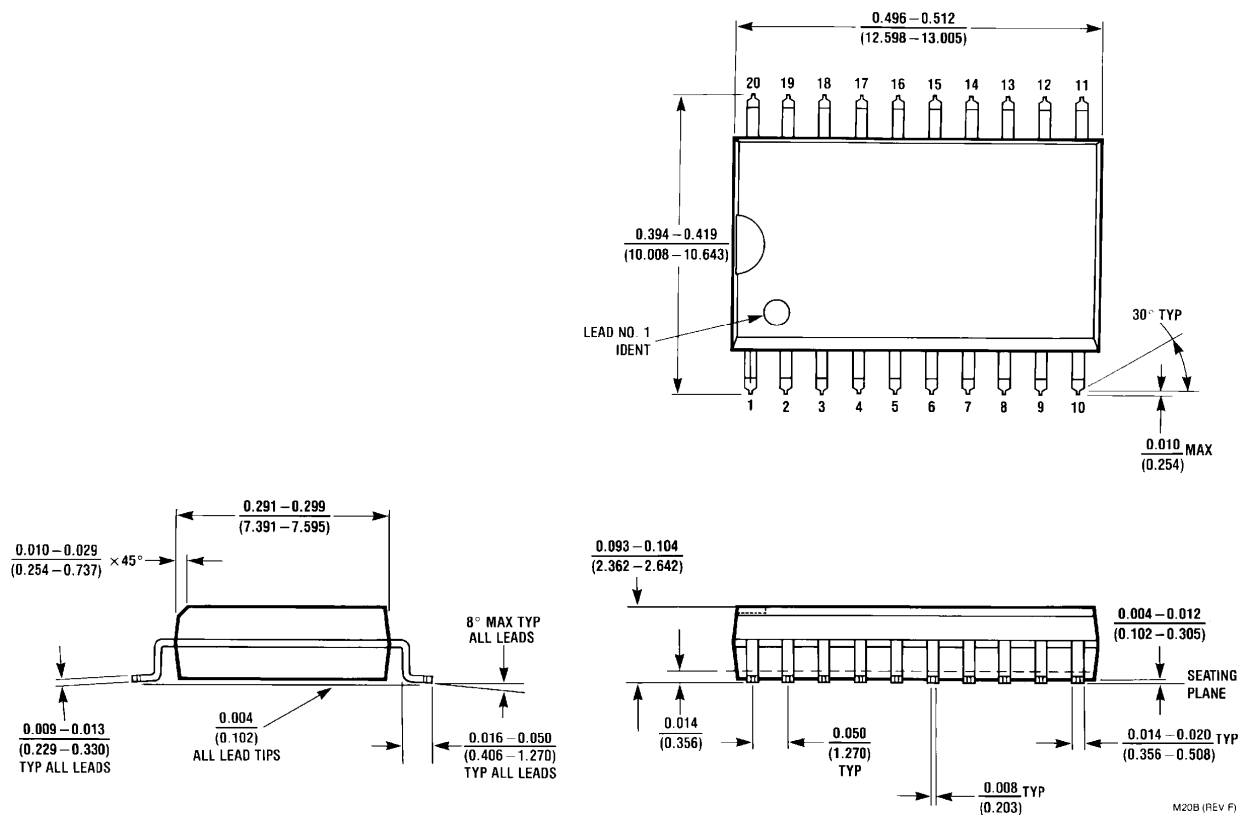
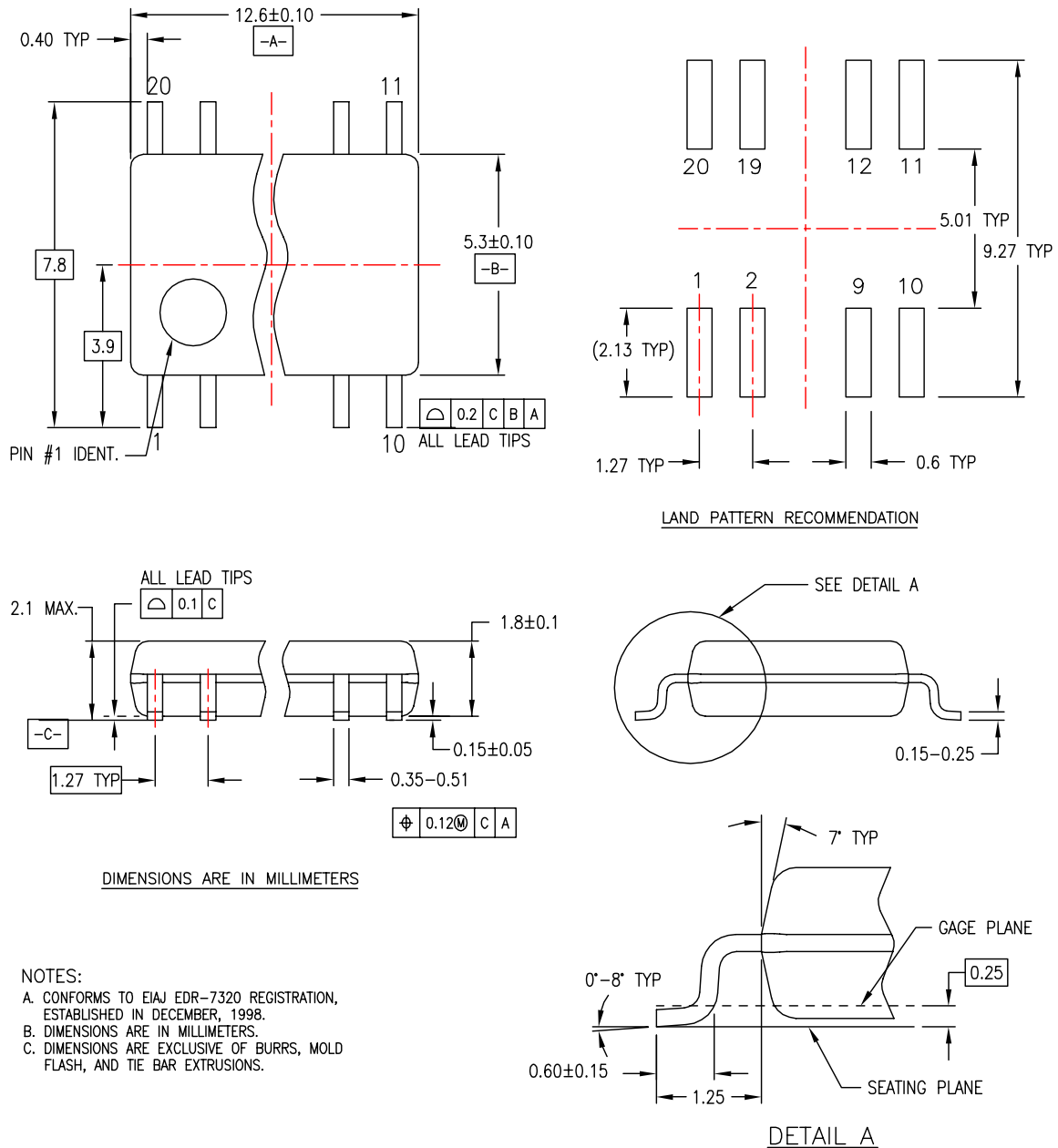


Figure 1. 20-Lead Small Outline Integrated Circuit (SOIC), JEDEC MS-013, 0.300" Wide Package Number M20B

Physical Dimensions (Continued)

Dimensions are in millimeters unless otherwise noted.

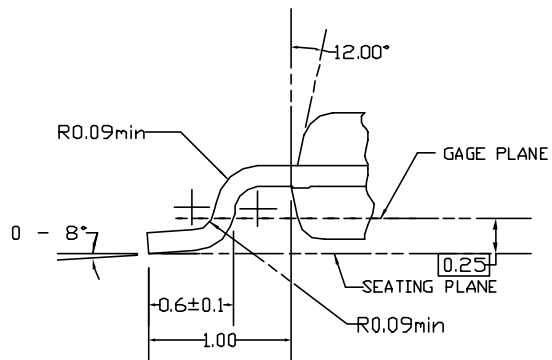
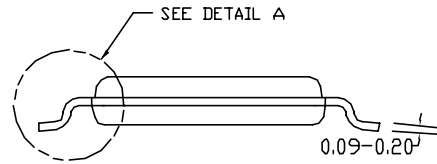
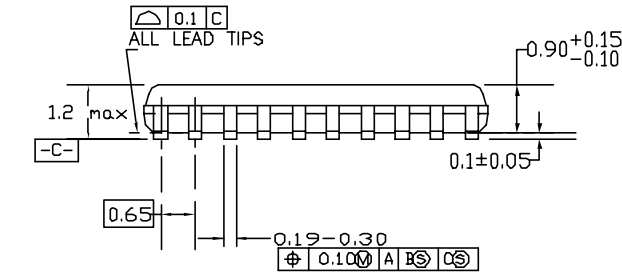
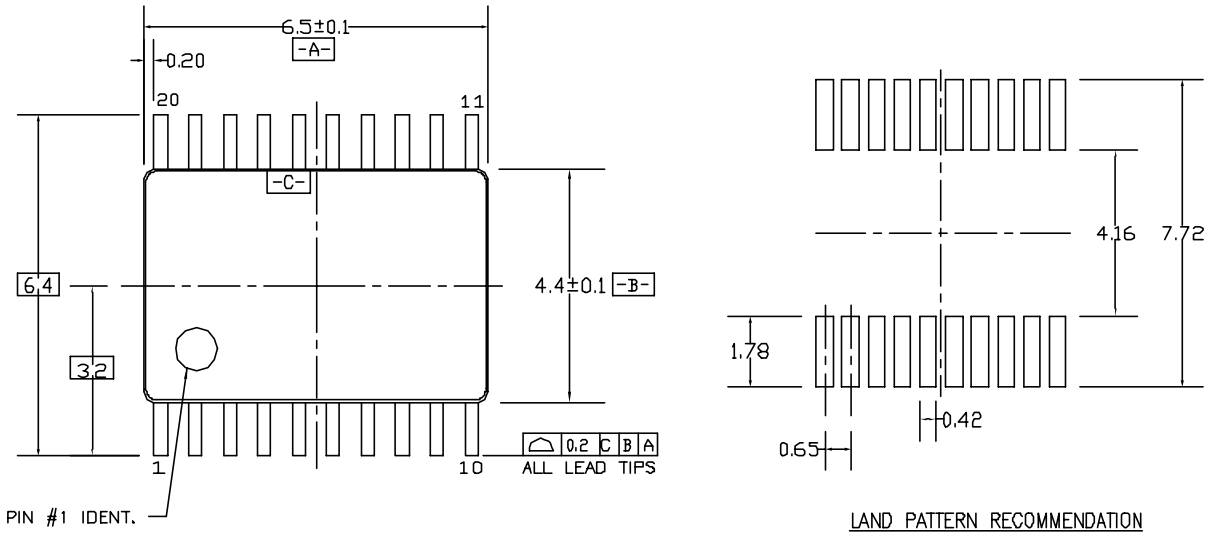


M20DREVC

Figure 2. 20-Lead Small Outline Package (SOP), EIAJ TYPE II, 5.3mm Wide Package Number M20D

Physical Dimensions (Continued)

Dimensions are in millimeters unless otherwise noted.



DIMENSIONS ARE IN MILLIMETERS

NOTES:

- A. CONFORMS TO JEDEC REGISTRATION MO-153, VARIATION AC, REF NOTE 6, DATE 7/93.
- B. DIMENSIONS ARE IN MILLIMETERS.
- C. DIMENSIONS ARE EXCLUSIVE OF BURRS, MOLDS FLASH, AND TIE BAR EXTRUSIONS.
- D. DIMENSIONS AND TOLERANCES PER ANSI Y14.5M, 1982.

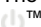
MTC20REVD1

Figure 3. 20-Lead Thin Shrink Small Outline Package (TSSOP), JEDEC MO-153, 4.4mm Wide Package Number MTC20



TRADEMARKS

The following are registered and unregistered trademarks Fairchild Semiconductor owns or is authorized to use and is not intended to be an exhaustive list of all such trademarks.

| | | | |
|--|--------------------------------|---|-----------------------------|
| ACEx [®] | HiSeC [™] | Power-SPM [™] | TinyBuck [™] |
| Across the board. Around the world. [™] | <i>i-Lo</i> [™] | PowerTrench [®] | TinyLogic [®] |
| ActiveArray [™] | ImpliedDisconnect [™] | Programmable Active Droop [™] | TINYOPTO [™] |
| Bottomless [™] | IntelliMAX [™] | QFET [®] | TinyPower [™] |
| Build it Now [™] | ISOPLANAR [™] | QS [™] | TinyWire [™] |
| CoolFET [™] | MICROCOUPLER [™] | QT Optoelectronics [™] | TruTranslation [™] |
| CorePLUS [™] | MicroPak [™] | Quiet Series [™] | μSerDes [™] |
| CROSSVOLT [™] | MICROWIRE [™] | RapidConfigure [™] | UHC [®] |
| CTL [™] | Motion-SPM [™] | RapidConnect [™] | UniFET [™] |
| Current Transfer Logic [™] | MSX [™] | ScalarPump [™] | VCX [™] |
| DOME [™] | MSXPro [™] | SMART START [™] | Wire [™] |
| E ² C MOS [™] | OCX [™] | SPM [®] | |
| EcoSPARK [®] | OCXPro [™] | STEALTH [™] | |
| EnSigna [™] | OPTOLOGIC [®] | SuperFET [™] | |
| FACT Quiet Series [™] | OPTOPLANAR [®] | SuperSOT [™] -3 | |
| FACT [®] | PACMAN [™] | SuperSOT [™] -6 | |
| FAST [®] | PDP-SPM [™] | SuperSOT [™] -8 | |
| FASTr [™] | POP [™] | SyncFET [™] | |
| FPS [™] | Power220 [®] | TCM [™] | |
| FRFET [®] | Power247 [®] | The Power Franchise [®] | |
| GlobalOptoisolator [™] | PowerEdge [™] |  ™ | |
| GTO [™] | PowerSaver [™] | TinyBoost [™] | |

DISCLAIMER

FAIRCHILD SEMICONDUCTOR RESERVES THE RIGHT TO MAKE CHANGES WITHOUT FURTHER NOTICE TO ANY PRODUCTS HEREIN TO IMPROVE RELIABILITY, FUNCTION, OR DESIGN. FAIRCHILD DOES NOT ASSUME ANY LIABILITY ARISING OUT OF THE APPLICATION OR USE OF ANY PRODUCT OR CIRCUIT DESCRIBED HEREIN; NEITHER DOES IT CONVEY ANY LICENSE UNDER ITS PATENT RIGHTS, NOR THE RIGHTS OF OTHERS. THESE SPECIFICATIONS DO NOT EXPAND THE TERMS OF FAIRCHILD'S WORLDWIDE TERMS AND CONDITIONS, SPECIFICALLY THE WARRANTY THEREIN, WHICH COVERS THESE PRODUCTS.

LIFE SUPPORT POLICY

FAIRCHILD'S PRODUCTS ARE NOT AUTHORIZED FOR USE AS CRITICAL COMPONENTS IN LIFE SUPPORT DEVICES OR SYSTEMS WITHOUT THE EXPRESS WRITTEN APPROVAL OF FAIRCHILD SEMICONDUCTOR CORPORATION.

As used herein:

1. Life support devices or systems are devices or systems which, (a) are intended for surgical implant into the body or (b) support or sustain life, and (c) whose failure to perform when properly used in accordance with instructions for use provided in the labeling, can be reasonably expected to result in a significant injury of the user.
2. A critical component in any component of a life support device, or system whose failure to perform can be reasonably expected to cause the failure of the life support device or system, or to affect its safety or effectiveness.

PRODUCT STATUS DEFINITIONS

Definition of Terms

| Datasheet Identification | Product Status | Definition |
|--------------------------|------------------------|--|
| Advance Information | Formative or In Design | This datasheet contains the design specifications for product development. Specifications may change in any manner without notice. |
| Preliminary | First Production | This datasheet contains preliminary data; supplementary data will be published at a later date. Fairchild Semiconductor reserves the right to make changes at any time without notice to improve design. |
| No Identification Needed | Full Production | This datasheet contains final specifications. Fairchild Semiconductor reserves the right to make changes at any time without notice to improve design. |
| Obsolete | Not In Production | This datasheet contains specifications on a product that has been discontinued by Fairchild Semiconductor. The datasheet is printed for reference information only. |

Rev. I27

ON Semiconductor and  are trademarks of Semiconductor Components Industries, LLC dba ON Semiconductor or its subsidiaries in the United States and/or other countries. ON Semiconductor owns the rights to a number of patents, trademarks, copyrights, trade secrets, and other intellectual property. A listing of ON Semiconductor's product/patent coverage may be accessed at www.onsemi.com/site/pdf/Patent-Marking.pdf. ON Semiconductor reserves the right to make changes without further notice to any products herein. ON Semiconductor makes no warranty, representation or guarantee regarding the suitability of its products for any particular purpose, nor does ON Semiconductor assume any liability arising out of the application or use of any product or circuit, and specifically disclaims any and all liability, including without limitation special, consequential or incidental damages. Buyer is responsible for its products and applications using ON Semiconductor products, including compliance with all laws, regulations and safety requirements or standards, regardless of any support or applications information provided by ON Semiconductor. "Typical" parameters which may be provided in ON Semiconductor data sheets and/or specifications can and do vary in different applications and actual performance may vary over time. All operating parameters, including "Typicals" must be validated for each customer application by customer's technical experts. ON Semiconductor does not convey any license under its patent rights nor the rights of others. ON Semiconductor products are not designed, intended, or authorized for use as a critical component in life support systems or any FDA Class 3 medical devices or medical devices with a same or similar classification in a foreign jurisdiction or any devices intended for implantation in the human body. Should Buyer purchase or use ON Semiconductor products for any such unintended or unauthorized application, Buyer shall indemnify and hold ON Semiconductor and its officers, employees, subsidiaries, affiliates, and distributors harmless against all claims, costs, damages, and expenses, and reasonable attorney fees arising out of, directly or indirectly, any claim of personal injury or death associated with such unintended or unauthorized use, even if such claim alleges that ON Semiconductor was negligent regarding the design or manufacture of the part. ON Semiconductor is an Equal Opportunity/Affirmative Action Employer. This literature is subject to all applicable copyright laws and is not for resale in any manner.

PUBLICATION ORDERING INFORMATION

LITERATURE FULFILLMENT:

Literature Distribution Center for ON Semiconductor
19521 E. 32nd Pkwy, Aurora, Colorado 80011 USA
Phone: 303-675-2175 or 800-344-3860 Toll Free USA/Canada
Fax: 303-675-2176 or 800-344-3867 Toll Free USA/Canada
Email: orderlit@onsemi.com

N. American Technical Support: 800-282-9855 Toll Free
USA/Canada
Europe, Middle East and Africa Technical Support:
Phone: 421 33 790 2910
Japan Customer Focus Center
Phone: 81-3-5817-1050

ON Semiconductor Website: www.onsemi.com
Order Literature: <http://www.onsemi.com/orderlit>
For additional information, please contact your local
Sales Representative