

FUNCTIONAL SPECIFICATIONS

(Typical at +25°C and ±15V and +5V supplies unless otherwise noted.)

DESCRIPTION	
INPUTS	
Resolution	12 bits
Coding, Unipolar Output	Straight binary
Coding, Bipolar Output	Offset binary, two's complement ①
Input Logic Level, Bit ON ("1")	+2.0V to +5.5V
Input Logic Level, Bit OFF ("0")	0V to +0.8V
Logic Loading	1 LSTTL load
Load Input ②	High ("1") = hold data Low ("0") = transfer data
Load Input Loading	3 LSTTL loads
PERFORMANCE ④	
Nonlinearity Error, max.	±1/2LSB
Differential Nonlinearity Error, max.	±3/4LSB
Gain Error, Before Trimming	±0.1% ③
Zero Error, Before Trimming	±0.1% of FSR ③
Gain Tempco, max.	±20ppm/°C
Zero Tempco, Unipolar, max.	±5ppm/°C of FSR
Offset Tempco, Bipolar, max.	±10ppm/°C of FSR
Diff. Nonlinearity Tempco, max.	±2ppm/°C of FSR
Monotonicity	Guaranteed over temperature
Settling Time, 5V Change	3µs
Settling Time, 10V Change	3µs
Settling Time, 20V Change	4µs
Settling Time, 1LSB Change	800ns
Slew Rate	±20V/µs
Power Supply Rejection	±0.002%FSR/%
OUTPUTS	
Output Voltage Ranges, Unipolar ⑤	0 to +5V, 0 to +10V
Output Voltage Ranges, Bipolar ⑤	±2.5V ±5V ±10V
Output Current	±5mA min.
Output Impedance	0.05Ω
POWER REQUIREMENTS	
Power Supply Voltages ⑥	+15V, ±0.5V at 15mA -15V, ±0.5V at 30mA +5V, ±0.25V at 65mA
PHYSICAL/ENVIRONMENTAL	
Operating Temperature Range, Case	0°C to +70°C (BGC/BGC-C, BMC/BMC-C) -40°C to +100°C (BME, BME-C) -55°C to +125°C (BMM, BMM-C, 883,-C/883)
Storage Temperature Range	-65°C to +125°C
Package Type	24-pin DDIP
Weight	0.22 ounces (6.3 grams)

Footnotes:

- ① For two's complement coding, order the "-2" model as described in Ordering Information.
- ② Logic levels are the same as for data inputs.
- ③ Initial errors are trimmable to zero. See Connection Diagram.
- ④ FSR is full scale range and is 10V for 0 to +10V output range, 20V for ±10V output range, etc.
- ⑤ By external pin connection.
- ⑥ For ±12V, +5V operation, contact factory.

ABSOLUTE MAXIMUM RATINGS		
PARAMETERS	LIMITS	UNITS
Positive Supply, Pin 22	+18	Volts
Negative Supply, Pin 14	-18	Volts
Logic Supply, Pin 13	+5.25	Volts
Digital Input Voltage, Pins 1-12 & 16	+5.5	Volts
Output Current, Pin 15	±20	mA
Lead Temperature (soldering, 10s)	300	°C

TECHNICAL NOTES

1. It is recommended that these converters be operated with local supply bypass capacitors of 1µF (tantalum type) at the +15V, -15V and +5V supply pins. The capacitors should be connected as close to the pins as possible. In high RFI noise environments, these capacitors should be shunted with 0.01µF ceramic capacitors.
2. The analog, digital and power grounds should be separated from each other as close as possible to pin 21 where they all must come together.
3. The "load" control pin is a level-triggered input which causes the register to hold data with a high input and transfer data to the DAC with a low input.
4. A setup time of 50ns minimum must be allowed for the input data. The DAC output voltage begins to change when the register output changes.
5. If the reference output terminal (pin 24) is used, an operational amplifier in non-inverting mode should be used as a buffer. Current drawn from pin 24 should be limited to ±10µA in order not to affect the T.C. of the reference.

CALIBRATION PROCEDURE

Select the desired output voltage range and connect the converter as shown in the Output Range Selection Table and the Connection Diagrams. Refer to the Coding Tables.

Unipolar Operation

1. **Zero Adjustment.** Set the input digital code to 0000 0000 0000 and adjust the ZERO ADJ. potentiometer to give 0.0000V output.
2. **Gain Adjustment.** Set the input digital code to 1111 1111 1111 (straight binary) and adjust the GAIN ADJ. potentiometer to give the full-scale output voltage shown in Table 1.

Bipolar Operation

1. **Offset Adjustment.** Set the digital input code to 0000 0000 0000 (offset binary) or 1000 0000 0000 (two's complement) and adjust the OFFSET ADJ. potentiometer to give the negative full-scale output voltage shown in Table 2.
2. **Gain Adjustment.** Set the digital input code to 1111 1111 1111 (offset binary) or 0111 1111 1111 (two's complement) and adjust the GAIN ADJ. potentiometer to give the positive full-scale output voltage shown in Table 2.

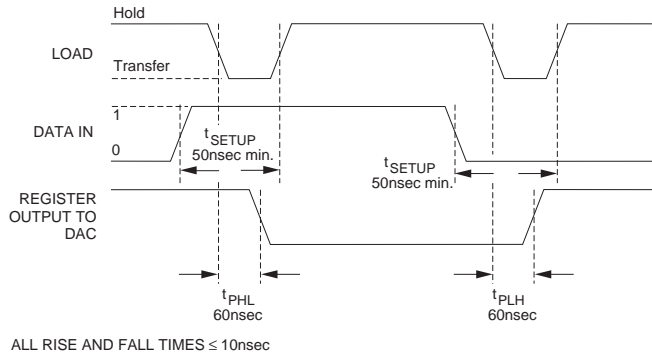


Figure 2. DAC-HK Timing

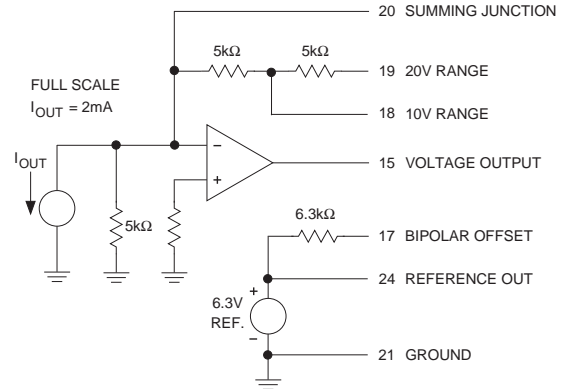


Figure 3. Output Circuit

CONNECTION DIAGRAMS

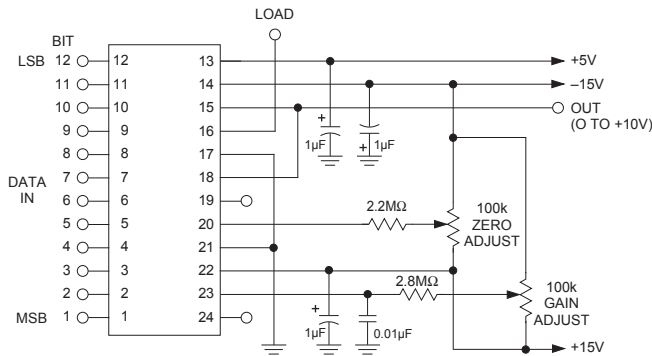


Figure 4. Unipolar Operation (0 to +10V)

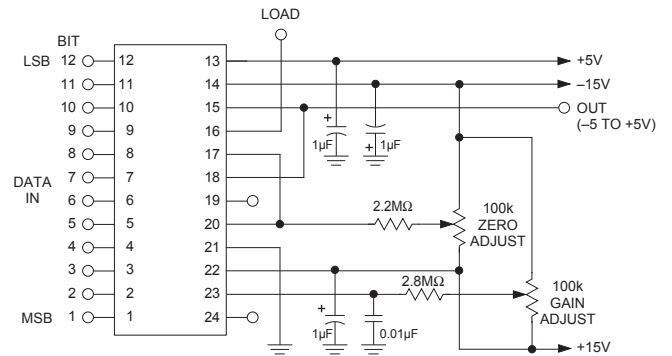


Figure 5. Bipolar Operation (±5V)

APPLICATIONS

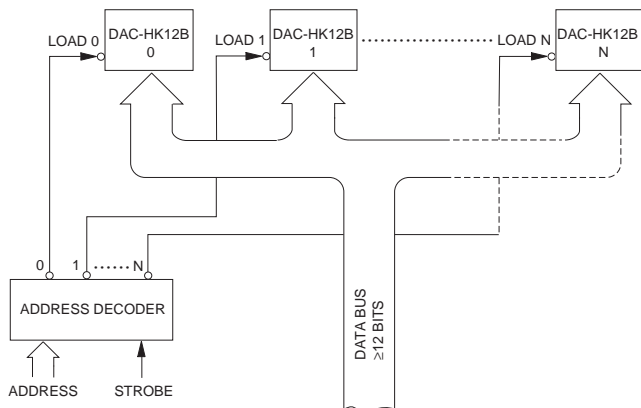


Figure 6. Interfacing to ≥12-Bit Data Bus

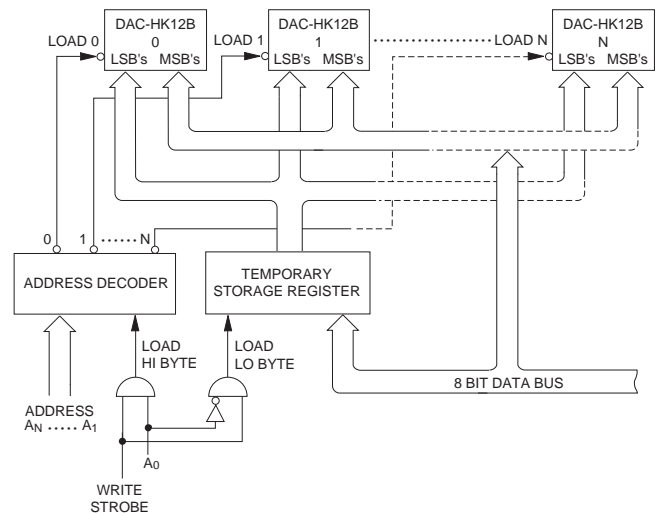


Figure 7. Interfacing to 8-Bit Data Bus

CODING TABLES

STRAIGHT BINARY			OUTPUT RANGES	
MSB		LSB	0 to +10V	0 to +5V
1111	1111	1111	+9.9976	+4.9988
1100	0000	0000	+7.5000	+3.7500
1000	0000	0000	+5.0000	+2.5000
0100	0000	0000	+2.5000	+1.2500
0000	0000	0001	+0.0024	+0.0012
0000	0000	0000	0.0000	0.0000

Table 1. Unipolar Operation

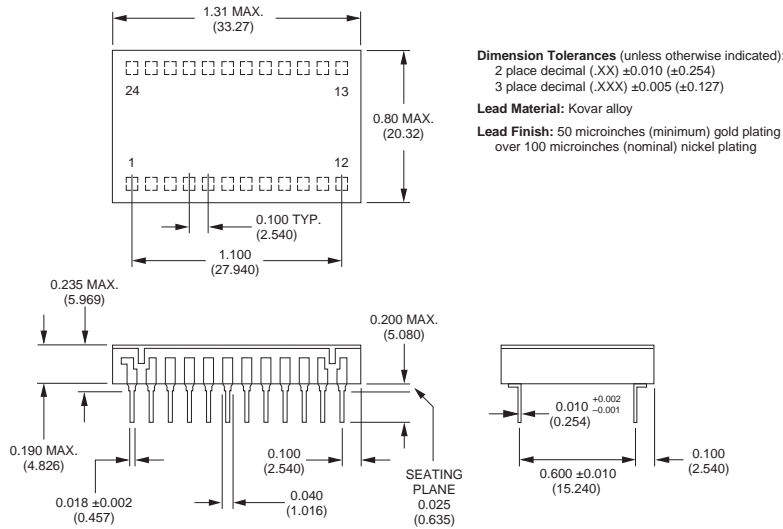
OFFSET BINARY			TWO'S COMPLEMENT			OUTPUT RANGES		
MSB		LSB	MSB		LSB	±10V	±5V	±2.5V
1111	1111	1111	0111	1111	1111	+9.9951	+4.9976	+2.4988
1100	0000	0000	0100	0000	0000	+5.0000	+2.5000	+1.2500
1000	0000	0000	0000	0000	0000	0.0000	0.0000	0.0000
0100	0000	0000	1100	0000	0000	-5.0000	-2.5000	-1.2500
0000	0000	0001	1000	0000	0001	-9.9951	-4.9976	-2.4988
0000	0000	0000	1000	0000	0000	-10.0000	-5.0000	-2.5000

Table 2. Bipolar Operation

RANGE	CONNECT THESE PINS TOGETHER		
±10V	15 & 19	17 & 20	
±5V	15 & 18	17 & 20	
±2.5V	15 & 18	17 & 20	19 & 20
+10V	15 & 18	17 & 21	
+5V	15 & 18	17 & 21	19 & 20

Table 3. Output Range Selection

MECHANICAL DIMENSIONS inches (mm)



ORDERING INFORMATION

MODEL NUMBER	OPERATING TEMP RANGE	BITS	SEAL	RoHS
Binary Coding				
DAC-HK12BGC	0 to +70°C	12	Epoxy	No
DAC-HK12BGC-C	0 to +70°C	12	Epoxy	Yes
DAC-HK12BMC	0 to +70°C	12	Hermetic	No
DAC-HK12BMC-C	0 to +70°C	12	Hermetic	Yes
DAC-HK12BME	-40 to +100°C	12	Hermetic	No
DAC-HK12BME-C	-40 to +100°C	12	Hermetic	No
DAC-HK12BMM	-55 to +125°C	12	Hermetic	Yes
DAC-HK12BMM-C	-55 to +125°C	12	Hermetic	No
DAC-HK12BMC-QL	-55 to +125°C	12	Hermetic	Yes
DAC-HK12BMM-QL	-55 to +125°C	12	Hermetic	Yes
DAC-HK12BMC-QL-C	-55 to +125°C	12	Hermetic	No
DAC-HKB/883	-55 to +125°C	12	Hermetic	No
DAC-HKB-C/883	-55 to +125°C	12	Hermetic	No
5962-8952801XC	-55 to +125°C	12	Hermetic	Yes
5962-8952801XA	-55 to +125°C	12	Hermetic	No
Two's Complement Coding				
DAC-HK12BGC-2	0 to +70°C	12	Epoxy	No
DAC-HK12BGC-2-C	0 to +70°C	12	Epoxy	Yes
DAC-HK12BMC-2	0 to +70°C	12	Hermetic	No
DAC-HK12BMC-2-C	0 to +70°C	12	Hermetic	Yes
DAC-HK12BME-2	-40 to +100°C	12	Hermetic	No
DAC-HK12BME-2-C	-40 to +100°C	12	Hermetic	No
DAC-HK12BMM-2	-55 to +125°C	12	Hermetic	Yes
DAC-HK12BMM-2-C	-55 to +125°C	12	Hermetic	No
DAC-HKB-2/883	-55 to +125°C	12	Hermetic	No
DAC-HKB-2-C/883	-55 to +125°C	12	Hermetic	Yes
5962-8952802XC	-55 to +125°C	12	Hermetic	No
5962-8952802XA	-55 to +125°C	12	Hermetic	No

The MIL-STD-883 units are available under DESC

Drawing Number 5962-89528. Contact DATEL for 883 product specifications.