

# LTC1148

## LTC1148-3.3/LTC1148-5

### ABSOLUTE MAXIMUM RATINGS

(Note 1)

Input Supply Voltage (Pin 3)	
LTC1148 and LTC1148L Series	16V to -0.3V
LTC1148HV Series	20V to -0.3V
Continuous Output Current (Pins 1, 14)	50mA
Sense Voltages (Pins 7, 8)	
LTC1148HV (Adjustable Only)	
$V_{IN} \geq 12.7V$	13V to -0.3V
$V_{IN} < 12.7V$	$(V_{IN} + 0.3V)$ to -0.3V
Operating Ambient Temperature Range	0°C to 70°C
Extended Commercial and Industrial Temperature Range	-40°C to 85°C
Junction Temperature (Note 2)	125°C
Storage Temperature Range	-65°C to 150°C
Lead Temperature (Soldering, 10 sec)	300°C

### PACKAGE/ORDER INFORMATION

TOP VIEW		ORDER PART NUMBER
P-DRIVE 1	14 N-DRIVE	LTC1148CN
NC 2	13 NC	LTC1148HV CN
$V_{IN}$ 3	12 PGND	LTC1148CN-3.3
$C_T$ 4	11 SGND	LTC1148HV CN-3.3
INTV <sub>CC</sub> 5	10 SHUTDOWN	LTC1148CN-5
$I_{TH}$ 6	9 V <sub>FB</sub> *	LTC1148HV CN-5
SENSE <sup>-</sup> 7	8 SENSE <sup>+</sup>	LTC1148CS
		LTC1148HV CS
		LTC1148LCS
		LTC1148CS-3.3
		LTC1148HV CS-3.3
		LTC1148LCS-3.3
		LTC1148CS-5
		LTC1148HV CS-5
		LTC1148HV IS-5

N PACKAGE 14-LEAD PDIP      S PACKAGE 14-LEAD PLASTIC SO  
 \*FIXED OUTPUT VERSIONS = NC  
 $T_{JMAX} = 125^{\circ}C, \theta_{JA} = 70^{\circ}C/W$  (N)  
 $T_{JMAX} = 125^{\circ}C, \theta_{JA} = 110^{\circ}C/W$  (S)

Consult LTC Marketing for parts specified with wider operating temperature ranges.

### ELECTRICAL CHARACTERISTICS

The ● denotes the specifications which apply over the full operating temperature range, otherwise specifications are at  $T_A = 25^{\circ}C$ .  $V_{IN} = 10V$ ,  $V_{SHUTDOWN} = 0V$  unless otherwise noted.

SYMBOL	PARAMETER	CONDITIONS	MIN	TYP	MAX	UNITS	
$V_g$	Feedback Voltage (LTC1148, LTC1148L, LTC1148HV)	$V_{IN} = 9V$	●	1.21	1.25	1.29	V
$I_g$	Feedback Current (LTC1148, LTC1148L, LTC1148HV)		●	0.2	1	$\mu A$	
$V_{OUT}$	Regulated Output Voltage LTC1148-3.3, LTC1148HV-3.3, LTC1148L-3.3 LTC1148-5, LTC1148HV-5	$V_{IN} = 9V$ $I_{LOAD} = 700mA$ $I_{LOAD} = 700mA$	●	3.23	3.33	3.43	V
$\Delta V_{OUT}$	Output Voltage Line Regulation	$V_{IN} = 7V$ to 12V, $I_{LOAD} = 50mA$		-40	0	40	mV
	Output Voltage Load Regulation LTC1148-3.3, LTC1148HV-3.3, LTC1148L-3.3 LTC1148-5, LTC1148HV-5	$5mA < I_{LOAD} < 2A$ $5mA < I_{LOAD} < 2A$	●		40	65	mV
	Output Ripple (Burst Mode)	$I_{LOAD} = 0A$			50		mV <sub>p-p</sub>
$I_Q$	Input DC Supply Current (Note 3)	(Note 7)					
	LTC1148 Series						
	Normal Mode	$4V < V_{IN} < 12V$			1.6	2.1	mA
	Sleep Mode	$4V < V_{IN} < 12V$			160	230	$\mu A$
	Sleep Mode (LTC1148-5)	$6V < V_{IN} < 12V$			160	230	$\mu A$
	Shutdown	$V_{SHUTDOWN} = 2.1V, 4V < V_{IN} < 12V$			10	20	$\mu A$
	LTC1148HV Series						
	Normal Mode	$4V < V_{IN} < 18V$			1.6	2.3	mA
	Sleep Mode	$4V < V_{IN} < 18V$			160	250	$\mu A$
	Sleep Mode (LTC1148HV-5)	$6V < V_{IN} < 18V$			160	250	$\mu A$
	Shutdown	$V_{SHUTDOWN} = 2.1V, 4V < V_{IN} < 18V$			10	22	$\mu A$
	LTC1148L Series						
Normal Mode	$3.5V < V_{IN} < 12V$			1.6	2.1	mA	
Sleep Mode	$3.5V < V_{IN} < 12V$			160	230	$\mu A$	
Shutdown	$V_{SHUTDOWN} = 2.1V, 3.5V < V_{IN} < 12V$			10	20	$\mu A$	

114835fd

**ELECTRICAL CHARACTERISTICS** The ● denotes the specifications which apply over the full operating temperature range, otherwise specifications are at  $T_A = 25^\circ\text{C}$ .  $V_{IN} = 10\text{V}$ ,  $V_{SHUTDOWN} = 0\text{V}$  unless otherwise noted.

SYMBOL	PARAMETER	CONDITIONS	MIN	TYP	MAX	UNITS	
$V_8 - V_7$	Current Sense Threshold Voltage LTC1148, LTC1148HV, LTC1148L	$V_{SENSE^-} = 5\text{V}$ , $V_9 = V_{OUT}/4 + 25\text{mV}$ (Forced)	●	25	170	mV	
		$V_{SENSE^-} = 5\text{V}$ , $V_9 = V_{OUT}/4 - 25\text{mV}$ (Forced)		130		150	mV
	LTC1148-3.3, LTC1148HV-3.3 LTC1148L-3.3	$V_{SENSE^-} = V_{OUT} + 100\text{mV}$ (Forced) $V_{SENSE^-} = V_{OUT} - 100\text{mV}$ (Forced)	●	130	150	170	mV mV
	LTC1148-5, LTC1148HV-5	$V_{SENSE^-} = V_{OUT} + 100\text{mV}$ (Forced) $V_{SENSE^-} = V_{OUT} - 100\text{mV}$ (Forced)	●	130	150	170	mV mV
$V_{10}$	Shutdown Pin Threshold		0.5	0.8	2	V	
$I_{10}$	Shutdown Pin Input Current	$0\text{V} < V_{SHUTDOWN} < 8\text{V}$ , $V_{IN} = 16\text{V}$		1.2	5	$\mu\text{A}$	
$I_4$	$C_T$ Pin Discharge Current	$V_{OUT}$ in Regulation, $V_{SENSE^-} = V_{OUT}$		50	70	90	$\mu\text{A}$
		$V_{OUT} = 0\text{V}$			2	10	$\mu\text{A}$
$t_{OFF}$	Off Time (Note 5)	$C_T = 390\text{pF}$ , $I_{LOAD} = 700\text{mA}$		4	5	6	$\mu\text{s}$
$t_R, t_F$	Driver Output Transition Times	$C_L = 3000\text{pF}$ (Pins 1, 14), $V_{IN} = 6\text{V}$			100	200	ns

$-40^\circ\text{C} \leq T_A \leq 85^\circ\text{C}$  (Note 5),  $V_{IN} = 10\text{V}$ , unless otherwise noted.

SYMBOL	PARAMETER	CONDITIONS	MIN	TYP	MAX	UNITS	
$V_9$	Feedback Voltage (LTC1148, LTC1148HV LTC1148L)	$V_{IN} = 9\text{V}$	1.20	1.25	1.30	V	
$\Delta V_{OUT}$	Regulated Output Voltage LTC1148-3.3, LTC1148HV-3.3, LTC1148L-3.3 LTC1148-5, LTC1148HV-5	$V_{IN} = 9\text{V}$		3.17	3.33	3.43	V
		$I_{LOAD} = 700\text{mA}$		4.85	5.05	5.20	V
		$I_{LOAD} = 700\text{mA}$					
$I_Q$	Input DC Supply Current (Note 3) LTC1148 Series Normal Mode Sleep Mode Sleep Mode Shutdown LTC1148HV Series Normal Mode Sleep Mode Sleep Mode Shutdown LTC1148L Series Normal Mode Sleep Mode Sleep Mode Shutdown	(Note 7)					
		$4\text{V} < V_{IN} < 12\text{V}$		1.6	2.4	mA	
		$4\text{V} < V_{IN} < 12\text{V}$		160	260	$\mu\text{A}$	
		$6\text{V} < V_{IN} < 12\text{V}$		160	260	$\mu\text{A}$	
		$V_{SHUTDOWN} = 2.1\text{V}$ , $4\text{V} < V_{IN} < 12\text{V}$		10	22	$\mu\text{A}$	
		$4\text{V} < V_{IN} < 18\text{V}$		1.6	2.6	mA	
		$4\text{V} < V_{IN} < 18\text{V}$		160	280	$\mu\text{A}$	
		$6\text{V} < V_{IN} < 18\text{V}$		160	280	$\mu\text{A}$	
		$V_{SHUTDOWN} = 2.1\text{V}$ , $4\text{V} < V_{IN} < 18\text{V}$		10	24	$\mu\text{A}$	
		$3.5\text{V} < V_{IN} < 12\text{V}$		1.6	2.4	mA	
		$3.5\text{V} < V_{IN} < 12\text{V}$		160	260	$\mu\text{A}$	
		$V_{SHUTDOWN} = 2.1\text{V}$ , $3.5\text{V} < V_{IN} < 12\text{V}$		10	22	$\mu\text{A}$	
		$V_8 - V_7$	Current Sense Threshold Voltage LTC1148, LTC1148HV, LTC1148L (Note 4)	$V_{SENSE^-} = 5\text{V}$ , $V_9 = V_{OUT}/4 - 25\text{mV}$ (Forced)		25	175
$V_{SENSE^-} = 5\text{V}$ , $V_9 = V_{OUT}/4 + 25\text{mV}$ (Forced)	125			150		mV	
LTC1148-3.3, LTC1148HV-3.3, LTC1148L-3.3	$V_{SENSE^-} = V_{OUT} + 100\text{mV}$ (Forced)			125	25	mV	
	$V_{SENSE^-} = V_{OUT} - 100\text{mV}$ (Forced)			150	175	mV	
LTC1148-5, LTC1148HV-5	$V_{SENSE^-} = V_{OUT} + 100\text{mV}$ (Forced)			125	25	mV	
	$V_{SENSE^-} = V_{OUT} - 100\text{mV}$ (Forced)			150	175	mV	
$V_{10}$	Shutdown Pin Threshold		0.55	0.8	2	V	
$t_{OFF}$	Off Time (Note 5)	$C_T = 390\text{pF}$ , $I_{LOAD} = 700\text{mA}$		3.8	5	6	$\mu\text{s}$

## ELECTRICAL CHARACTERISTICS

**Note 1:** Absolute Maximum Ratings are those values beyond which the life of a device may be impaired.

**Note 2:**  $T_J$  is calculated from the ambient temperature  $T_A$  and power dissipation  $P_D$  according to the following formulas:  
LTC1148CN, LTC1148CN-3.3, LTC1148CN-5:  $T_J = T_A + (P_D \times 70^\circ\text{C/W})$   
LTC1148CS, LTC1148CS-3.3, LTC1148CS-5:  $T_J = T_A + (P_D \times 110^\circ\text{C/W})$

**Note 3:** Dynamic supply current is higher due to the gate charge being delivered at the switching frequency. See Applications Information.

**Note 4:** The LTC1148 and LTC1148HV versions are tested with external feedback resistors resulting in a nominal output voltage of 5V. The LTC1148L version is tested with external feedback resistors resulting in a nominal output voltage of 2.5V.

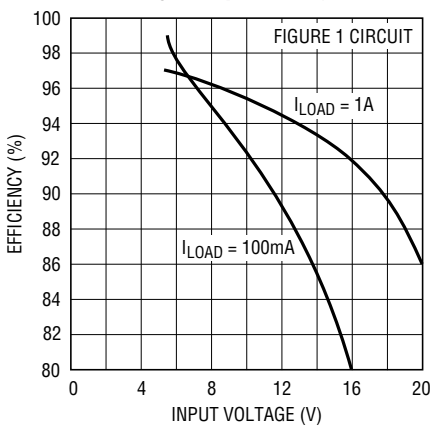
**Note 5:** In applications where  $R_{\text{SENSE}}$  is placed at ground potential, the off time increases approximately 40%.

**Note 6:** The LTC1148, LTC1148HV and LTC1148L series are not tested and not quality assurance sampled at  $-40^\circ\text{C}$  and  $85^\circ\text{C}$ . These specifications are guaranteed by design and/or correlation. The LTC1148HVI-5 is guaranteed over the full  $-40^\circ\text{C}$  to  $85^\circ\text{C}$  operating temperature range.

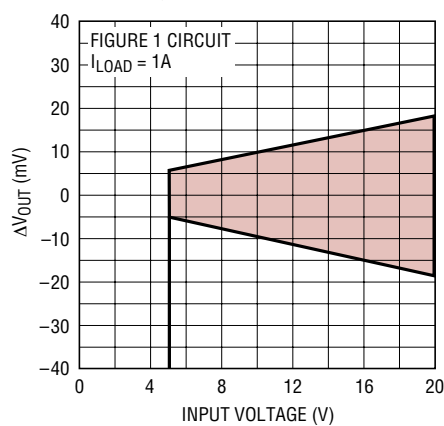
**Note 7:** The LTC1148L and LTC1148L-3.3 allow operation to  $V_{\text{IN}} = 3.5\text{V}$ .

## TYPICAL PERFORMANCE CHARACTERISTICS

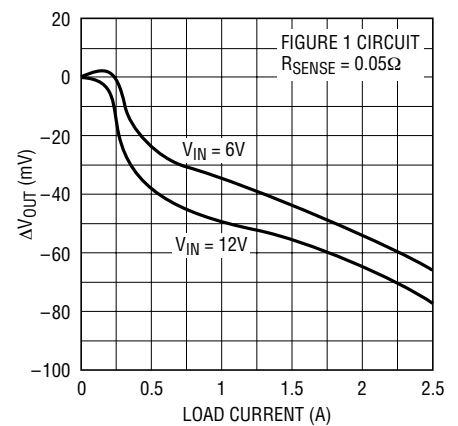
Efficiency vs Input Voltage



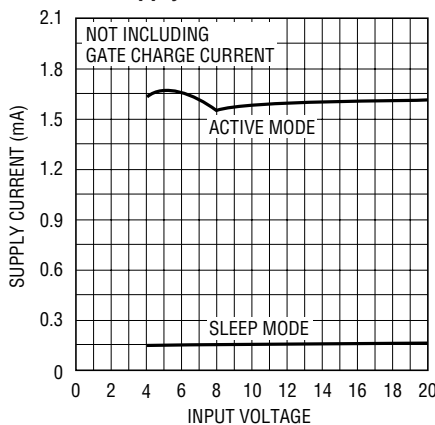
Line Regulation



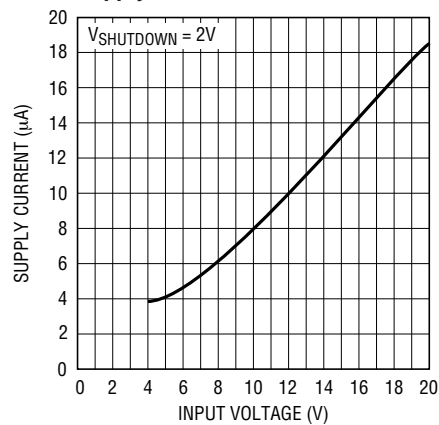
Load Regulation



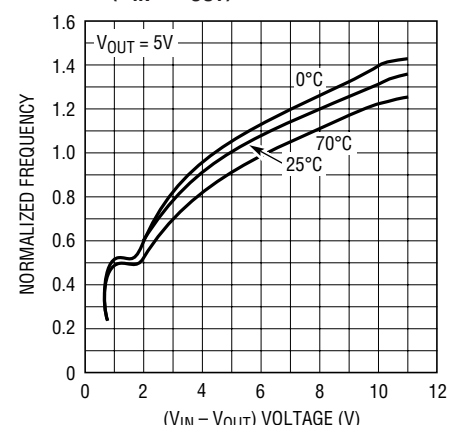
DC Supply Current



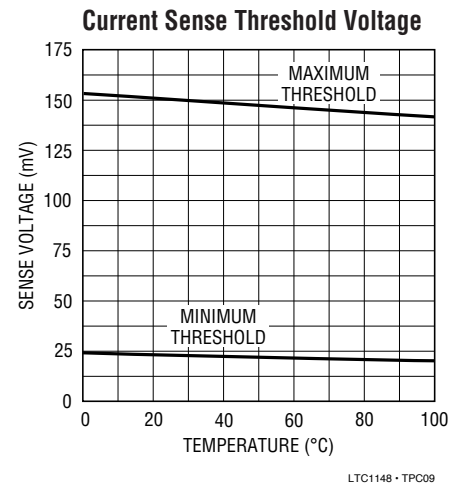
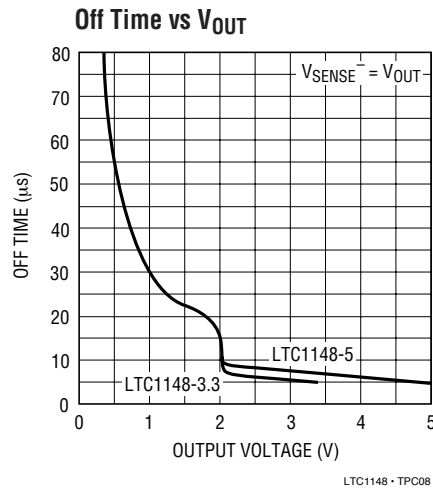
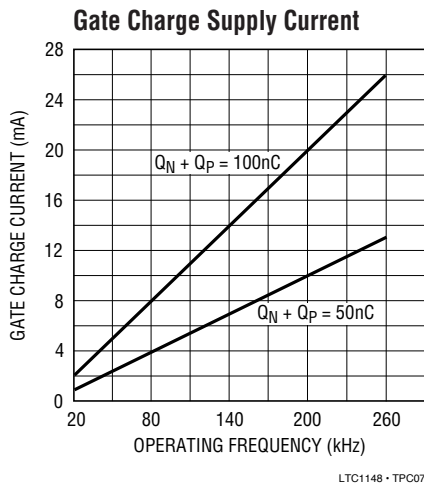
Supply Current in Shutdown



Operating Frequency vs ( $V_{\text{IN}} - V_{\text{OUT}}$ )



## TYPICAL PERFORMANCE CHARACTERISTICS



## PIN FUNCTIONS

**P-DRIVE (Pin 1):** High Current Drive for Top P-Channel MOSFET. Voltage swing at this pin is from  $V_{IN}$  to ground.

**NC (Pin 2):** No Connection. Can connect to power ground.

**$V_{IN}$  (Pin 3):** Main Supply Pin. Must be closely decoupled to power ground Pin 12.

**$C_T$  (Pin 4):** External capacitor  $C_T$  from Pin 4 to ground sets the operating frequency. The actual frequency is also dependent upon the input voltage.

**$INTV_{CC}$  (Pin 5):** Internal Supply Voltage, Nominally 3.3V. Can be decoupled to signal ground. Do not externally load this pin.

**$I_{TH}$  (Pin 6):** Gain Amplifier Decoupling Point. The current comparator threshold increases with the Pin 6 voltage.

**$SENSE^-$  (Pin 7):** Connects to internal resistive divider which sets the output voltage in LTC1148-3.3 and LTC1148-5 versions. Pin 7 is also the (-) input for the current comparator.

**$SENSE^+$  (Pin 8):** The (+) Input to the Current Comparator. A built-in offset between Pins 7 and 8 in conjunction with  $R_{SENSE}$  sets the current trip threshold.

**$V_{FB}$  (Pin 9):** For the LTC1148 adjustable version, Pin 9 serves as the feedback pin from an external resistive divider used to set the output voltage. On LTC1148-3.3 and LTC1148-5 versions this pin is not used.

**SHUTDOWN (Pin 10):** When grounded, the LTC1148 series operates normally. Pulling Pin 10 high holds both MOSFETs off and puts the LTC1148 series in micropower shutdown mode. Requires CMOS logic signal with  $t_R, t_F < 1\mu s$ , should not be left floating.

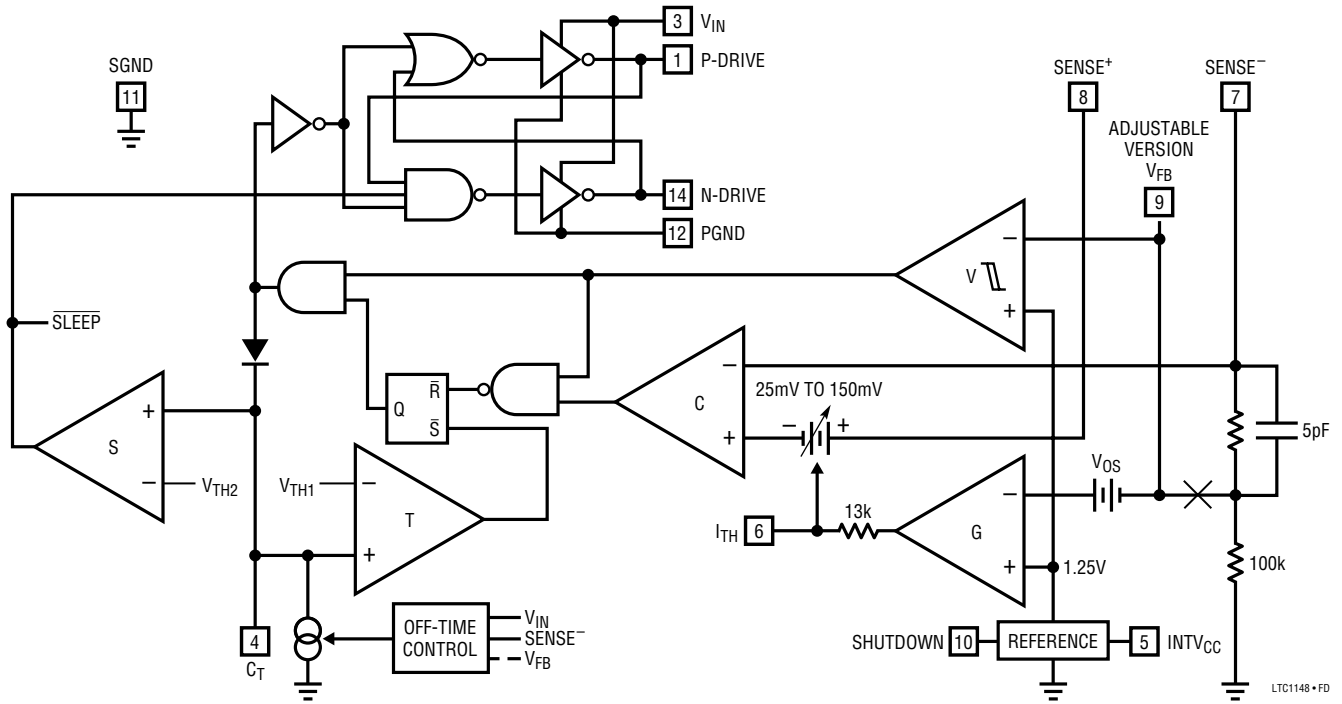
**SGND (Pin 11):** Small-Signal Ground. Must be routed separately from other grounds to the (-) terminal of  $C_{OUT}$ .

**PGND (Pin 12):** Driver Power Ground. Connects to source of N-channel MOSFET and the (-) terminal of  $C_{IN}$ .

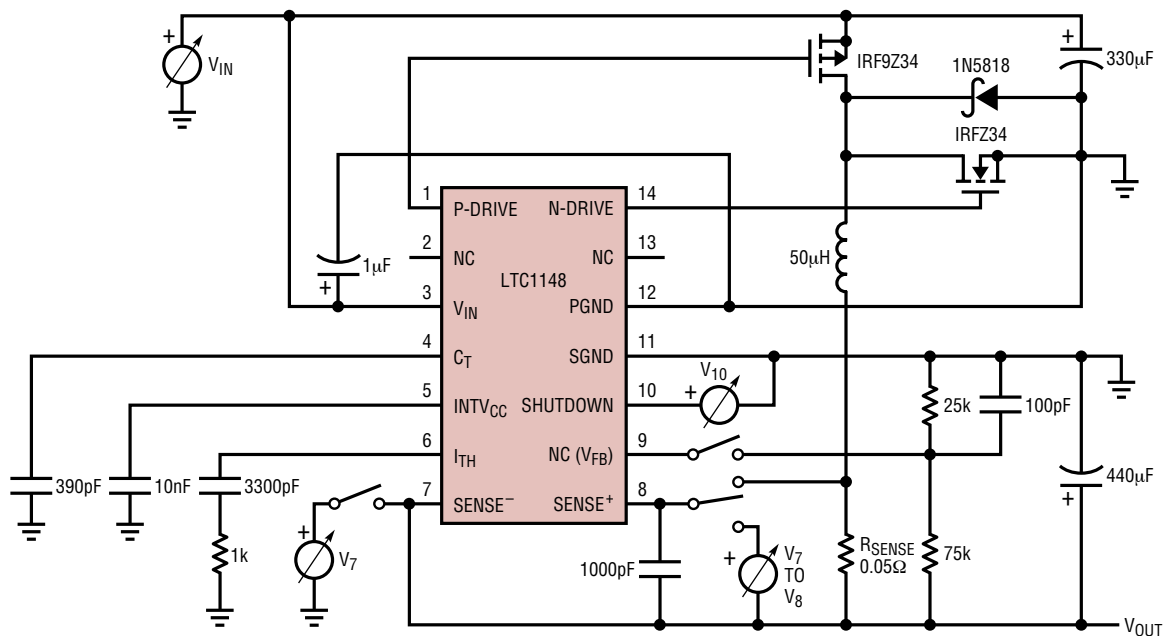
**NC (Pin 13):** No Connection. Can connect to power ground.

**N-DRIVE (Pin 14):** High Current Drive for Bottom N-Channel MOSFET. Voltage swing at Pin 14 is from ground to  $V_{IN}$ .

**FUNCTIONAL DIAGRAM** Pin 9 connection shown for LTC1148-3.3 and LTC1148-5; changes create LTC1148.



**TEST CIRCUIT**



## OPERATION

The LTC1148 series uses a current mode, constant off-time architecture to synchronously switch an external pair of complementary power MOSFETs. Operating frequency is set by an external capacitor at the timing capacitor Pin 4.

The output voltage is sensed by an internal voltage divider connected to SENSE<sup>-</sup> Pin 7 (LTC1148-3.3 and LTC1148-5) or external divider returned to V<sub>FB</sub> Pin 9 (LTC1148). A voltage comparator V, and a gain block G, compare the divided output voltage with a reference voltage of 1.25V. To optimize efficiency, the LTC1148 series automatically switches between two modes of operation, burst and continuous. The voltage comparator is the primary control element when the device is in Burst Mode operation, while the gain block controls the output voltage in continuous mode.

During the switch “ON” cycle in continuous mode, current comparator C monitors the voltage between Pins 7 and 8 connected across an external shunt in series with the inductor. When the voltage across the shunt reaches its threshold value, the P-drive output is switched to V<sub>IN</sub>, turning off the P-channel MOSFET. The timing capacitor connected to Pin 4 is now allowed to discharge at a rate determined by the off-time controller. The discharge current is made proportional to the output voltage (measured by Pin 7) to model the inductor current, which decays at a rate which is also proportional to the output voltage. While the timing capacitor is discharging, the N-drive output goes to V<sub>IN</sub>, turning on the N-channel MOSFET.

When the voltage on the timing capacitor has discharged past V<sub>TH1</sub>, comparator T trips, setting the flip-flop. This causes the N-drive output to go low (turning off the N-channel MOSFET) and the P-drive output to also go low (turning the P-channel MOSFET back on). The cycle then repeats.

As the load current increases, the output voltage decreases slightly. This causes the output of the gain stage

(Pin 6) to increase the current comparator threshold, thus tracking the load current.

The sequence of events for Burst Mode operation is very similar to continuous operation with the cycle interrupted by the voltage comparator. When the output voltage is at or above the desired regulated value, the P-channel MOSFET is held off by comparator V and the timing capacitor continues to discharge below V<sub>TH1</sub>. When the timing capacitor discharges past V<sub>TH2</sub>, voltage comparator S trips, causing the internal sleep line to go low and the N-channel MOSFET to turn off.

The circuit now enters sleep mode with both power MOSFETs turned off. In sleep mode, a majority of the circuitry is turned off, dropping the quiescent current from 1.6mA to 160μA. The load current is now being supplied from the output capacitor. When the output voltage has dropped by the amount of hysteresis in comparator V, the P-channel MOSFET is again turned on and the process repeats.

To avoid the operation of the current loop interfering with Burst Mode operation, a built-in offset (V<sub>OS</sub>) is incorporated in the gain stage. This prevents the current comparator threshold from increasing until the output voltage has dropped below a minimum threshold.

To prevent both the external MOSFETs from ever being turned on at the same time, feedback is incorporated to sense the state of the driver output pins. Before the N-drive output can go high, the P-drive output must also be high. Likewise, the P-drive output is prevented from going low while the N-drive output is high.

Using constant off-time architecture, the operating frequency is a function of the input voltage. To minimize the frequency variation as dropout is approached, the off-time controller increases the discharge current as V<sub>IN</sub> drops below V<sub>OUT</sub> + 1.5V. In dropout the P-channel MOSFET is turned on continuously (100% duty cycle), providing extremely low dropout operation.

## APPLICATIONS INFORMATION

The basic LTC1148 series application circuit (fixed output versions) is shown in Figure 1. External component selection is driven by the load requirement, and begins with the selection of  $R_{SENSE}$ . Once  $R_{SENSE}$  is known,  $C_T$  and  $L$  can be chosen. Next, the power MOSFETs and D1 are selected. Finally,  $C_{IN}$  and  $C_{OUT}$  are selected and the loop is compensated. The circuit shown in Figure 1 can be configured for operation up to an input voltage of 20V. If the application requires higher input voltage, then the LTC1149 or LTC1159 should be used.

### $R_{SENSE}$ Selection for Output Current

$R_{SENSE}$  is chosen based on the required output current. The LTC1148 series current comparator has a threshold range which extends from a minimum of  $25\text{mV}/R_{SENSE}$  to a maximum of  $150\text{mV}/R_{SENSE}$ . The current comparator threshold sets the peak of the inductor ripple current, yielding a maximum output current  $I_{MAX}$  equal to the peak value less half the peak-to-peak ripple current. For proper Burst Mode operation,  $I_{RIPPLE(P-P)}$  must be less than or equal to the minimum current comparator threshold.

Since efficiency generally increases with ripple current, the maximum allowable ripple current is assumed, i.e.,  $I_{RIPPLE(P-P)} = 25\text{mV}/R_{SENSE}$  (See  $C_T$  and  $L$  Selection for Operating Frequency). Solving for  $R_{SENSE}$  and allowing a margin for variations in the LTC1148 series and external component values yields:

$$R_{SENSE} = \frac{100\text{mV}}{I_{MAX}}$$

A graph for selecting  $R_{SENSE}$  versus maximum output current is given in Figure 2.

The load current below which Burst Mode operation commences ( $I_{BURST}$ ) and the peak short-circuit current ( $I_{SC(PK)}$ ) both track  $I_{MAX}$ . Once  $R_{SENSE}$  has been chosen,  $I_{BURST}$  and  $I_{SC(PK)}$  can be predicted from the following:

$$I_{BURST} \approx \frac{15\text{mV}}{R_{SENSE}}$$

$$I_{SC(PK)} = \frac{150\text{mV}}{R_{SENSE}}$$

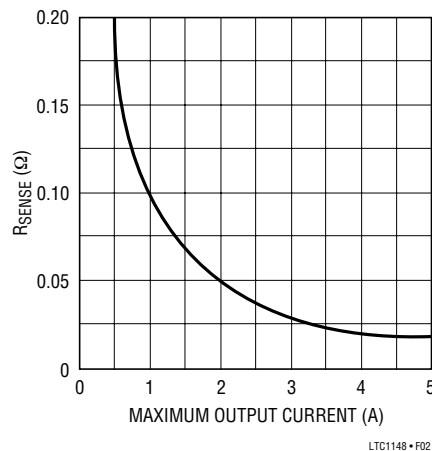


Figure 2. Selecting  $R_{SENSE}$

The LTC1148 series automatically extends  $t_{OFF}$  during a short circuit to allow sufficient time for the inductor current to decay between switch cycles. The resulting ripple current causes the average short-circuit current  $I_{SC(AVG)}$  to be reduced to approximately  $I_{MAX}$ .

### $L$ and $C_T$ Selection for Operating Frequency

The LTC1148 series uses a constant off-time architecture with  $t_{OFF}$  determined by an external timing capacitor  $C_T$ . Each time the P-channel MOSFET switch turns on, the voltage on  $C_T$  is reset to approximately 3.3V. During the off time,  $C_T$  is discharged by a current which is proportional to  $V_{OUT}$ . The voltage on  $C_T$  is analogous to the current in inductor  $L$ , which likewise decays at a rate proportional to  $V_{OUT}$ . Thus the inductor value must track the timing capacitor value.

The value of  $C_T$  is calculated from the desired continuous mode operating frequency,  $f$ :

$$C_T = \frac{1}{2.6(10^4)f}$$

Assumes  $V_{IN} = 2V_{OUT}$ , Figure 1 circuit.

A graph for selecting  $C_T$  versus frequency including the effects of input voltage is given in Figure 3.

As the operating frequency is increased the gate charge losses will be higher, reducing efficiency (see Efficiency Considerations). The complete expression for operating frequency of the circuit in Figure 1 is given by:

## APPLICATIONS INFORMATION

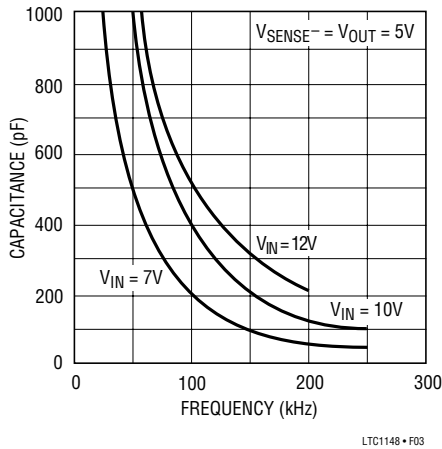


Figure 3. Timing Capacitor Value

$$f = \frac{1}{t_{\text{OFF}}} \left( 1 - \frac{V_{\text{OUT}}}{V_{\text{IN}}} \right)$$

where:

$$t_{\text{OFF}} = 1.3(10^4)C_T \left( \frac{V_{\text{REG}}}{V_{\text{OUT}}} \right)$$

$V_{\text{REG}}$  is the desired output voltage (i.e., 5V, 3.3V).  $V_{\text{OUT}}$  is the measured output voltage. Thus  $V_{\text{REG}}/V_{\text{OUT}} = 1$  in regulation.

Note that as  $V_{\text{IN}}$  decreases, the frequency decreases. When the input to output voltage differential drops below 1.5V, the LTC1148 series reduces  $t_{\text{OFF}}$  by increasing the discharge current in  $C_T$ . This prevents audible operation prior to dropout.

Once the frequency has been set by  $C_T$ , the inductor  $L$  must be chosen to provide no more than  $25\text{mV}/R_{\text{SENSE}}$  of peak-to-peak inductor ripple current. This results in a minimum required inductor value of:

$$L_{\text{MIN}} = 5.1(10^5)R_{\text{SENSE}}(C_T)V_{\text{REG}}$$

As the inductor value is increased from the minimum value, the ESR requirements for the output capacitor are eased at the expense of efficiency. If too small an inductor is used, the inductor current will decrease past zero and change polarity. A consequence of this is that the LTC1148 series may not enter Burst Mode operation and efficiency will be severely degraded at low currents.

### Inductor Core Selection

Once the minimum value for  $L$  is known, the type of inductor must be selected. The highest efficiency will be obtained using ferrite, Kool M $\mu$ <sup>®</sup> on molypermalloy (MPP) cores. Lower cost powdered iron cores provide suitable performance but cut efficiency by 3% to 7%. Actual core loss is independent of core size for a fixed inductor value, but it is very dependent on inductance selected. As inductance increases, core losses go down. Unfortunately, increased inductance requires more turns of wire and therefore copper losses increase.

Ferrite designs have very low core loss, so design goals can concentrate on copper loss and preventing saturation. Ferrite core material saturates “hard,” which means that inductance collapses abruptly when the peak design current is exceeded. This results in an abrupt increase in inductor ripple current and consequent output voltage ripple which can cause Burst Mode operation to be falsely triggered. Do not allow the core to saturate!

Kool M $\mu$  (from Magnetics, Inc.) is a very good, low loss core material for toroids, with a “soft” saturation characteristic. Molypermalloy is slightly more efficient at high (>200kHz) switching frequencies, but quite a bit more expensive. Toroids are very space efficient, especially when you can use several layers of wire. Because they generally lack a bobbin, mounting is more difficult. However, new designs for surface mount are available from Coiltronics and Beckman Industrial Corp. which do not increase the height significantly.

### Power MOSFET and D1 Selection

Two external power MOSFETs must be selected for use with the LTC1148 series: a P-channel MOSFET for the main switch, and an N-channel MOSFET for the synchronous switch. The main selection criteria for the power MOSFETs are the threshold voltage  $V_{\text{GS(TH)}}$  and on resistance  $R_{\text{DS(ON)}}$ .

The minimum input voltage determines whether standard threshold or logic-level threshold MOSFETs must be used. For  $V_{\text{IN}} > 8\text{V}$ , standard threshold MOSFETs ( $V_{\text{GS(TH)}} < 4\text{V}$ ) may be used. If  $V_{\text{IN}}$  is expected to drop below 8V, logic-

Kool M $\mu$  is a registered trademark of Magnetics, Inc.



## APPLICATIONS INFORMATION

level threshold MOSFETs ( $V_{GS(TH)} < 2.5V$ ) are strongly recommended. The LTC1148/LTC1148HV series supply voltage must always be less than the absolute maximum  $V_{GS}$  ratings for the MOSFETs.

The maximum output current  $I_{MAX}$  determines the  $R_{DS(ON)}$  requirement for the two MOSFETs. When the LTC1148 series is operating in continuous mode, the simplifying assumption can be made that one of the two MOSFETs is always conducting the average load current. The duty cycles for the two MOSFETs are given by:

$$\text{P-Ch Duty Cycle} = \frac{V_{OUT}}{V_{IN}}$$

$$\text{N-Ch Duty Cycle} = \frac{(V_{IN} - V_{OUT})}{V_{IN}}$$

From the duty cycles the required  $R_{DS(ON)}$  for each MOSFET can be derived:

$$\text{P-Ch } R_{DS(ON)} = \frac{V_{IN}(P_P)}{V_{OUT}(I_{MAX}^2)(1 + \delta_P)}$$

$$\text{N-Ch } R_{DS(ON)} = \frac{V_{IN}(P_N)}{(V_{IN} - V_{OUT})(I_{MAX}^2)(1 + \delta_N)}$$

where  $P_P$  and  $P_N$  are the allowable power dissipations and  $d_P$  and  $d_N$  are the temperature dependencies of  $R_{DS(ON)}$ .  $P_P$  and  $P_N$  will be determined by efficiency and/or thermal requirements (see Efficiency Considerations).  $(1 + d)$  is generally given for a MOSFET in the form of a normalized  $R_{DS(ON)}$  vs temperature curve, but  $d = 0.007/^\circ C$  can be used as an approximation for low voltage MOSFETs.

The Schottky diode D1 shown in Figure 1 only conducts during the dead-time between the conduction of the two power MOSFETs. D1's sole purpose in life is to prevent the body diode of the N-channel MOSFET from turning on and storing charge during the dead time, which could cost as much as 1% in efficiency (although there are no other harmful effects if D1 is omitted). Therefore, D1 should be selected for a forward voltage of less than 0.7V when conducting  $I_{MAX}$ .

### $C_{IN}$ and $C_{OUT}$ Selection

In continuous mode, the source of the P-channel MOSFET is a square wave of duty cycle  $V_{OUT}/V_{IN}$ . To prevent large voltage transients, a low ESR input capacitor sized for the maximum RMS current must be used. The maximum RMS capacitor current is given by:

$$C_{IN} \text{ Required } I_{RMS} \approx I_{MAX} \frac{[V_{OUT}(V_{IN} - V_{OUT})]^{1/2}}{V_{IN}}$$

This formula has a maximum at  $V_{IN} = 2V_{OUT}$ , where  $I_{RMS} = I_{OUT}/2$ . This simple worst-case condition is commonly used for design because even significant deviations do not offer much relief. Note that capacitor manufacturer's ripple current ratings are often based on only 2000 hours of life. This makes it advisable to further derate the capacitor, or to choose a capacitor rated at a higher temperature than required. Always consult the manufacturer if there is any question. An additional 0.1  $\mu F$  to 1  $\mu F$  ceramic capacitor is also required on  $V_{IN}$  Pin 3 for high frequency decoupling.

The selection of  $C_{OUT}$  is driven by the required effective series resistance (ESR). *The ESR of  $C_{OUT}$  must be less than twice the value of  $R_{SENSE}$  for proper operation of the LTC1148 series:*

$$C_{OUT} \text{ Required ESR} < 2R_{SENSE}$$

Optimum efficiency is obtained by making the ESR equal to  $R_{SENSE}$ . As the ESR is increased up to  $2R_{SENSE}$ , the efficiency degrades by less than 1%. If the ESR is greater than  $2R_{SENSE}$ , the voltage ripple on the output capacitor will prematurely trigger Burst Mode operation, resulting in disruption of continuous mode and an efficiency hit which can be several percent.

Manufacturers such as Nichicon and United Chemicon should be considered for high performance capacitors. The OS-CON semiconductor dielectric capacitor available from Sanyo has the lowest ESR/size ratio of any aluminum electrolytic at a somewhat higher price. Once the ESR requirement for  $C_{OUT}$  has been met, the RMS current rating generally far exceeds the  $I_{RIPPLE(P-P)}$  requirement.

## APPLICATIONS INFORMATION

In surface mount applications multiple capacitors may have to be paralleled to meet the capacitance, ESR, or RMS current handling requirements of the application. Aluminum electrolytic and dry tantalum capacitors are both available in surface mount configurations. In the case of tantalum, it is critical that the capacitors are surge tested for use in switching power supplies. An excellent choice is the AVX TPS series of surface mount tantalums, available in case heights ranging from 2mm to 4mm. For example, if 200 $\mu$ F/10V is called for in an application requiring 3mm height, two AVX 100 $\mu$ F/10V (P/N TPSD 107K010) could be used. Consult the manufacturer for other specific recommendations.

At low supply voltages, a minimum capacitance at  $C_{OUT}$  is needed to prevent an abnormal low frequency operating mode (see Figure 4). When  $C_{OUT}$  is made too small, the output ripple at low frequencies will be large enough to trip the voltage comparator. This causes Burst Mode operation to be activated when the LTC1148 series would normally be in continuous operation. The effect is most pronounced with low values of  $R_{SENSE}$  and can be improved by operating at higher frequencies with lower values of L. The output remains in regulation at all times.

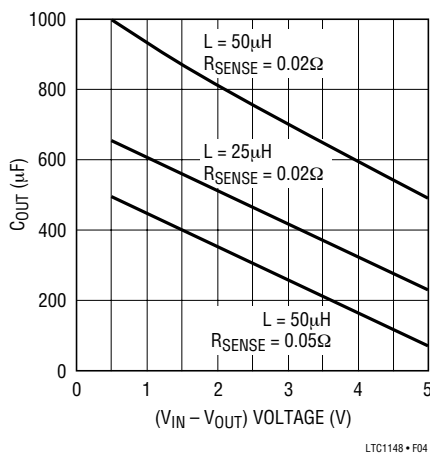


Figure 4. Minimum Value of  $C_{OUT}$

### Checking Transient Response

The regulator loop response can be checked by looking at the load transient response. Switching regulators take

several cycles to respond to a step in DC (resistive) load current. When a load step occurs,  $V_{OUT}$  shifts by an amount equal to  $\Delta I_{LOAD} \cdot ESR$ , where ESR is the effective series resistance of  $C_{OUT}$ .  $\Delta I_{LOAD}$  also begins to charge or discharge  $C_{OUT}$  until the regulator loop adapts to the current change and returns  $V_{OUT}$  to its steady state value. During this recovery time  $V_{OUT}$  can be monitored for overshoot or ringing which would indicate a stability problem. The Pin 6 external components shown in the Figure 1 circuit will prove adequate compensation for most applications.

A second, more severe transient is caused by switching in loads with large ( $>1\mu$ F) supply bypass capacitors. The discharged bypass capacitors are effectively put in parallel with  $C_{OUT}$ , causing a rapid drop in  $V_{OUT}$ . No regulator can deliver enough current to prevent this problem if the load switch resistance is low and it is driven quickly. The only solution is to limit the rise time of the switch drive so that the load rise time is limited to approximately  $25 \cdot C_{LOAD}$ . Thus a 10 $\mu$ F capacitor would require a 250 $\mu$ s rise time, limiting the charging current to about 200mA.

### Efficiency Considerations

The percent efficiency of a switching regulator is equal to the output power divided by the input power times 100%. It is often useful to analyze individual losses to determine what is limiting the efficiency and which change would produce the most improvement. Percent efficiency can be expressed as:

$$\% \text{Efficiency} = 100\% - (L1 + L2 + L3 + \dots)$$

where L1, L2, etc., are the individual losses as a percentage of input power. (For high efficiency circuits only small errors are incurred by expressing losses as a percentage of output power).

Although all dissipative elements in the circuit produce losses, three main sources usually account for most of the losses in LTC1148 series circuits: 1) LTC1148 DC bias current, 2) MOSFET gate charge current, and 3)  $I^2R$  losses.

1. The DC supply current is the current which flows into  $V_{IN}$  Pin 3 less the gate charge current. For  $V_{IN} = 10V$  the

## APPLICATIONS INFORMATION

LTC1148 DC supply current is 160 $\mu$ A for no load, and increases proportionally with load up to a constant 1.6mA after the LTC1148 series has entered continuous mode. Because the DC bias current is drawn from  $V_{IN}$ , the resulting loss increases with input voltage. For  $V_{IN} = 10V$  the DC bias losses are generally less than 1% for load currents over 30mA. However, at very low load currents the DC bias current accounts for nearly all of the loss.

- MOSFET gate charge current results from switching the gate capacitance of the power MOSFETs. Each time a MOSFET gate is switched from low to high to low again, a packet of charge  $dQ$  moves from  $V_{IN}$  to ground. The resulting  $dQ/dt$  is a current out of  $V_{IN}$  which is typically much larger than the DC supply current. In continuous mode,  $I_{GATECHG} = f(Q_N + Q_P)$ . The typical gate charge for a 0.1 $\Omega$  N-channel power MOSFET is 25nC, and for a P-channel about twice that value. This results in  $I_{GATECHG} = 7.5mA$  in 100kHz continuous operation, for a 2% to 3% typical mid-current loss with  $V_{IN} = 10V$ .

Note that the gate charge loss increases directly with both input voltage and operating frequency. This is the principal reason why the highest efficiency circuits operate at moderate frequencies. Furthermore, it argues against using larger MOSFETs than necessary to control  $I^2R$  losses, since overkill can cost efficiency as well as money!

- $I^2R$  losses are easily predicted from the DC resistances of the MOSFET, inductor, and current shunt. In continuous mode the average output current flows through L and  $R_{SENSE}$ , but is “chopped” between the P-channel and N-channel MOSFETs. If the two MOSFETs have approximately the same  $R_{DS(ON)}$ , then the resistance of one MOSFET can simply be summed with the resistances of L and  $R_{SENSE}$  to obtain  $I^2R$  losses. For example, if each  $R_{DS(ON)} = 0.1\Omega$ ,  $R_L = 0.15\Omega$ , and  $R_{SENSE} = 0.05\Omega$ , then the total resistance is 0.3 $\Omega$ . This results in losses ranging from 3% to 12% as the output current increases from 0.5A to 2A.  $I^2R$  losses cause the efficiency to roll-off at high output currents.

Figure 5 shows how the efficiency losses in a typical LTC1148 series regulator end up being apportioned.

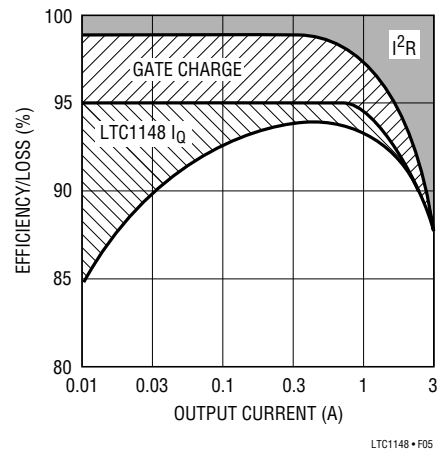


Figure 5. Efficiency Loss

The gate charge loss is responsible for the majority of the efficiency lost in the mid-current region. If Burst Mode operation was not employed at low currents, the gate charge loss alone would cause efficiency to drop to unacceptable levels. With Burst Mode operation, the DC supply current represents the lone (and unavoidable) loss component which continues to become a higher percentage as output current is reduced. As expected, the  $I^2R$  losses dominate at high load currents.

Other losses including  $C_{IN}$  and  $C_{OUT}$  ESR dissipative losses, MOSFET switching losses, Schottky conduction losses during dead time, and inductor core losses, generally account for less than 2% total additional loss.

### Design Example

As a design example, assume  $V_{IN} = 12V$  (nominal),  $V_{OUT} = 5V$ ,  $I_{MAX} = 2A$ , and  $f = 200kHz$ ;  $R_{SENSE}$ ,  $C_T$  and L can immediately be calculated:

$$R_{SENSE} = 100mV/2 = 0.05\Omega$$

$$t_{OFF} = (1/200kHz)[1 - (5/12)] = 2.92\mu s$$

$$C_T = 2.92\mu s / [(1.3)(10^4)] = 220pF$$

$$L_{MIN} = 5.1(10^5)0.05\Omega(220pF)5V = 28\mu H$$

Assume that the MOSFET dissipations are to be limited to  $P_N = P_P = 250mW$ .

If  $T_A = 50^\circ C$  and the thermal resistance of each MOSFET is 50 $^\circ C/W$ , then the junction temperatures will be 63 $^\circ C$

## APPLICATIONS INFORMATION

and  $\delta_P = \delta_N = 0.007(63 - 25) = 0.27$ . The required  $R_{DS(ON)}$  for each MOSFET can now be calculated:

$$P\text{-Ch } R_{DS(ON)} = \frac{12(0.25)}{5(2)^2 (1.27)} = 0.12\Omega$$

$$N\text{-Ch } R_{DS(ON)} = \frac{12(0.25)}{7(2)^2 (1.27)} = 0.085\Omega$$

The P-channel requirement can be met by a Si9430DY, while the N-channel requirement is exceeded by a Si9410DY. Note that the most stringent requirement for the N-channel MOSFET is with  $V_{OUT} = 0$  (i.e., short circuit). During a continuous short circuit, the worst-case N-channel dissipation rises to:

$$P_N = I_{SC(AVG)}^2 (R_{DS(ON)}) (1 + \delta_N)$$

With the  $0.05\Omega$  sense resistor  $I_{SC(AVG)} = 2A$  will result, increasing the  $0.085\Omega$  N-channel dissipation to 450mW at a die temperature of  $73^\circ C$ .

$C_{IN}$  will require an RMS current rating of at least 1A at temperature, and  $C_{OUT}$  will require an ESR of  $0.05\Omega$  for optimum efficiency.

Now allow  $V_{IN}$  to drop to its minimum value. At lower input voltages the operating frequency will decrease and the P-channel will be conducting most of the time, causing its power dissipation to increase. At  $V_{IN(MIN)} = 7V$ :

$$f_{MIN} = (1/2.92\mu s)[1 - (5V/7V)] = 98kHz$$

$$P_P = \frac{5V(0.12\Omega)(2A)^2(1.27)}{7V} = 435mW$$

This last step is necessary to assure that the power dissipation and junction temperature of the P-channel are not exceeded.

### LTC1148 Adjustable Applications

When an output voltage other than 3.3V or 5V is required, the LTC1148 adjustable version is used with an external resistive divider from  $V_{OUT}$  to  $V_{FB}$  Pin 9 (see Figure 9). The regulated voltage is determined by:

$$V_{OUT} = 1.25 \left( 1 + \frac{R2}{R1} \right)$$

To prevent stray pickup a 100pF capacitor is suggested across R1 located close to the LTC1148.

For Figure 1 applications with  $V_{OUT}$  below 2V, or when  $R_{SENSE}$  is moved to ground, the current sense comparator inputs operate near ground. When the current comparator is operated at less than 2V common mode, the off time increases approximately 40%, requiring the use of a smaller timing capacitor  $C_T$ .

### Auxiliary Windings – Suppressing Burst Mode Operation

The LTC1148 synchronous switch removes the normal limitation that power must be drawn from the inductor primary winding in order to extract power from auxiliary windings. With synchronous switching, auxiliary outputs may be loaded without regard to the primary output load, providing that the loop remains in continuous mode operation.

Burst Mode operation can be suppressed at low output currents with a simple external network which cancels the 25mV minimum current comparator threshold. This technique is also useful for eliminating audible noise from certain types of inductors in high current ( $I_{OUT} > 5A$ ) applications when they are lightly loaded.

An external offset is put in series with the  $SENSE^-$  pin to subtract from the built-in 25mV offset. An example of this technique is shown in Figure 6. Two  $100\Omega$  resistors are inserted in series with the leads from the sense resistor.

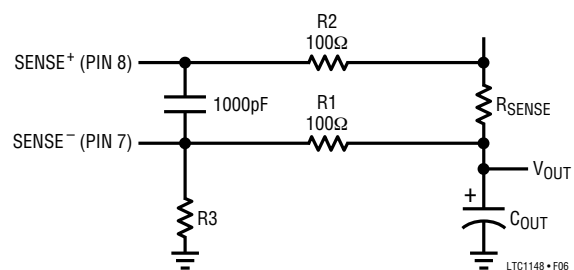


Figure 6. Suppression of Burst Mode Operation

## APPLICATIONS INFORMATION

With the addition of R3, a current is generated through R1 causing an offset of:

$$V_{\text{OFFSET}} = V_{\text{OUT}} \left( \frac{R1}{R1 + R3} \right)$$

If  $V_{\text{OFFSET}} > 25\text{mV}$ , the minimum threshold will be cancelled and Burst Mode operation is prevented from occurring. Since  $V_{\text{OFFSET}}$  is constant, the maximum load current is also decreased by the same offset. Thus, to get back to the same  $I_{\text{MAX}}$ , the value of the sense resistor must be lower:

$$R_{\text{SENSE}} \approx \frac{75\text{mV}}{I_{\text{MAX}}}$$

To prevent noise spikes from erroneously tripping the current comparator, a 1000pF capacitor is needed across Pins 7 and 8.

### Output Crowbar

An added feature to using an N-channel MOSFET as the synchronous switch is the ability to crowbar the output with the same MOSFET. Pulling the timing capacitor Pin 4 above 1.5V when the output voltage is greater than the desired regulated value will turn “on” the N-channel MOSFET.

A fault condition which causes the output voltage to go above a maximum allowable value can be detected by external circuitry. Turning on the N-channel MOSFET when this fault is detected will cause large currents to flow and blow the system fuse.

The N-channel MOSFET needs to be sized so it will safely handle this overcurrent condition. The typical delay from pulling the  $C_T$  pin high and the N drive Pin 14 going high is 250ns. Note: Under shutdown conditions, the N-channel is held OFF and pulling the  $C_T$  pin high will not cause the N-channel MOSFET to crowbar the output.

A simple N-channel FET can be used as an interface between the overvoltage detect circuitry and the LTC1148 as shown in Figure 7.

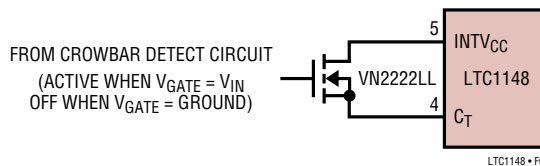


Figure 7. Output Crowbar Interface

### Troubleshooting Hints

Since efficiency is critical to LTC1148 series applications, it is very important to verify that the circuit is functioning correctly in both continuous and Burst Mode operation. The waveform to monitor is the voltage on the timing capacitor Pin 4.

In continuous mode ( $I_{\text{LOAD}} > I_{\text{BURST}}$ ) the voltage on the  $C_T$  pin should be a sawtooth with a 0.9V<sub>P-P</sub> swing. This voltage should never dip below 2V as shown in Figure 8a.

When load currents are low ( $I_{\text{LOAD}} < I_{\text{BURST}}$ ) Burst Mode operation should occur with the  $C_T$  pin waveform periodically falling to ground as shown in Figure 8b.

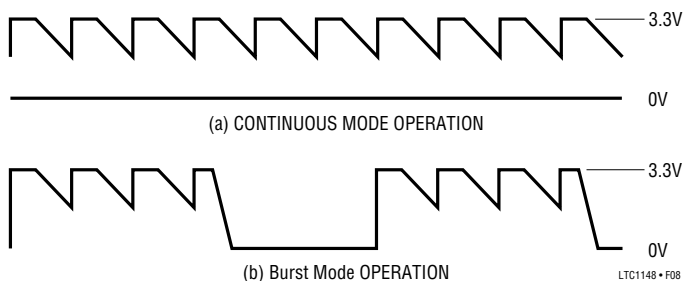


Figure 8.  $C_T$  Waveforms

If Pin 4 is observed falling to ground at high output currents, it indicates poor decoupling or improper grounding. Refer to the Board Layout Checklist.

## APPLICATIONS INFORMATION

### Board Layout Checklist

When laying out the printed circuit board, the following checklist should be used to ensure proper operation of the LTC1148 series. These items are also illustrated graphically in the layout diagram of Figure 9. Check the following in your layout:

1. Are the signal and power grounds segregated? The LTC1148 signal ground Pin 11 must return to the (-) plate of  $C_{OUT}$ . The power ground returns to the source of the N-channel MOSFET, anode of the Schottky diode, and (-) plate of  $C_{IN}$ , which should have as short lead lengths as possible.
2. Does the LTC1148  $SENSE^-$  Pin 7 connect to a point close to  $R_{SENSE}$  and the (+) plate of  $C_{OUT}$ ? In adjustable applications, the resistive divider R1, R2 must be connected between the (+) plate of  $C_{OUT}$  and signal ground.
3. Are the  $SENSE^-$  and  $SENSE^+$  leads routed together with minimum PC trace spacing? The 1000pF capacitor between Pins 7 and 8 should be as close as possible to the LTC1148.
4. Does the (+) plate of  $C_{IN}$  connect to the source of the P-channel MOSFET as closely as possible? This capacitor provides the AC current to the P-channel MOSFET.
5. Is the 1 $\mu$ F  $V_{IN}$  decoupling capacitor connected closely between Pin 3 and power ground Pin 12? This capacitor carries the MOSFET driver peak currents.
6. Is the Shutdown Pin 10 actively pulled to ground during normal operation? The Shutdown pin is high impedance and must not be allowed to float.

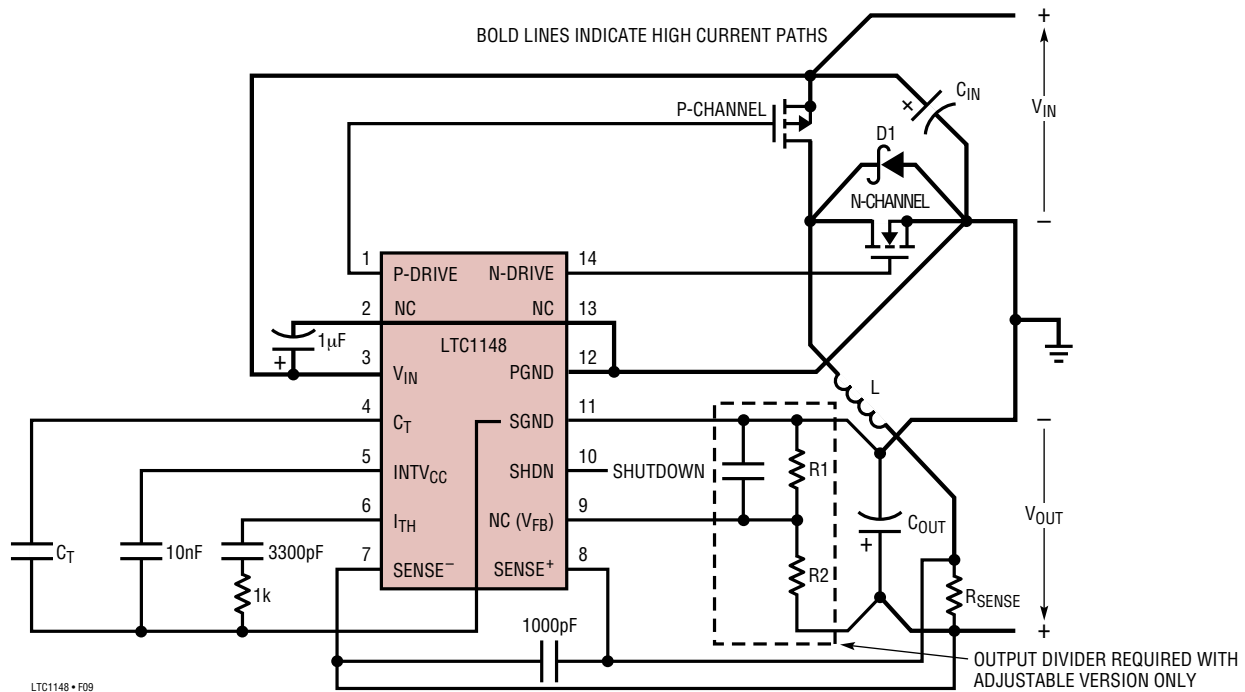


Figure 9. LTC1148 Layout Diagram (See Board Layout Checklist)

## TYPICAL APPLICATIONS

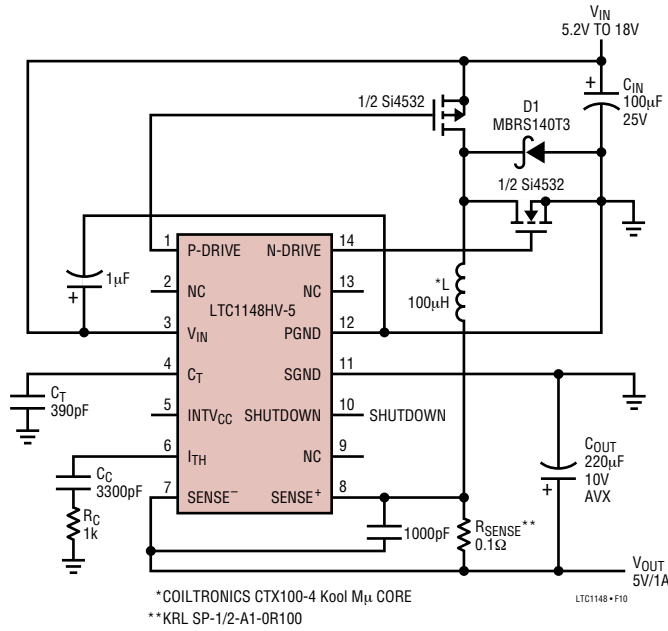


Figure 10. 5V/1A High Efficiency Regulator with Extended Input Voltage Range

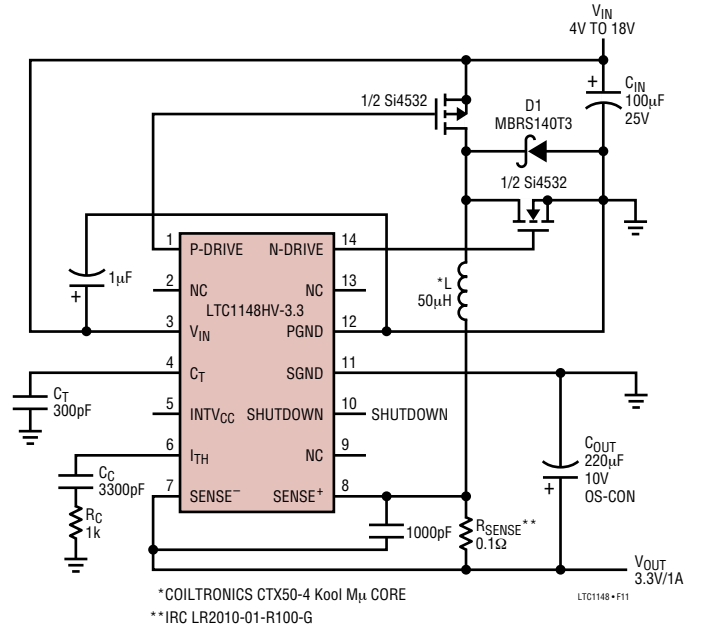


Figure 11. High Efficiency 5V to 3.3V/1A Converter with Extended Input Voltage Range

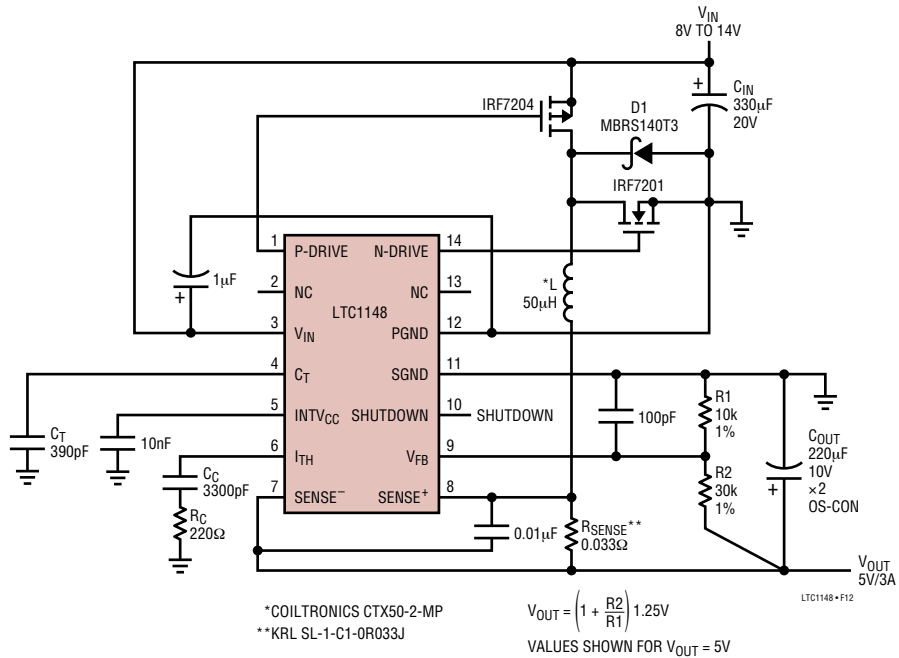


Figure 12. High Efficiency Adjustable 3A Regulator

## TYPICAL APPLICATIONS

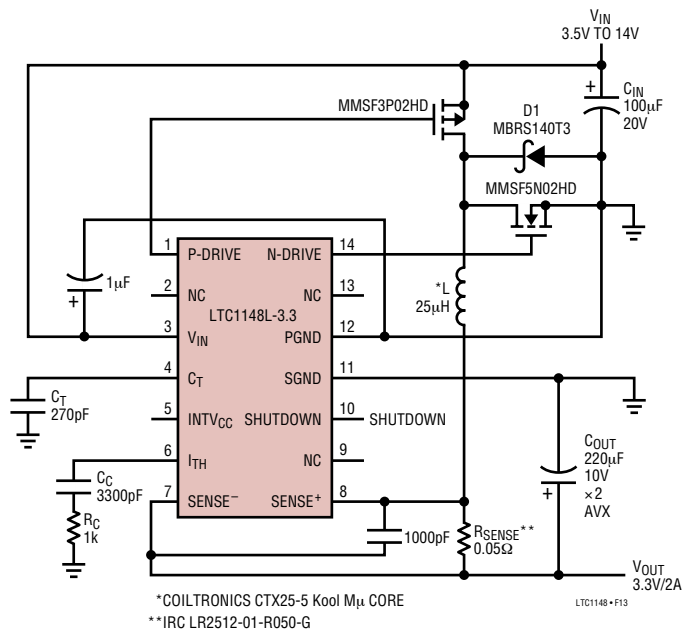


Figure 13. 5V Input Voltage, 3.3V/2A Low Dropout, High Efficiency Regulator

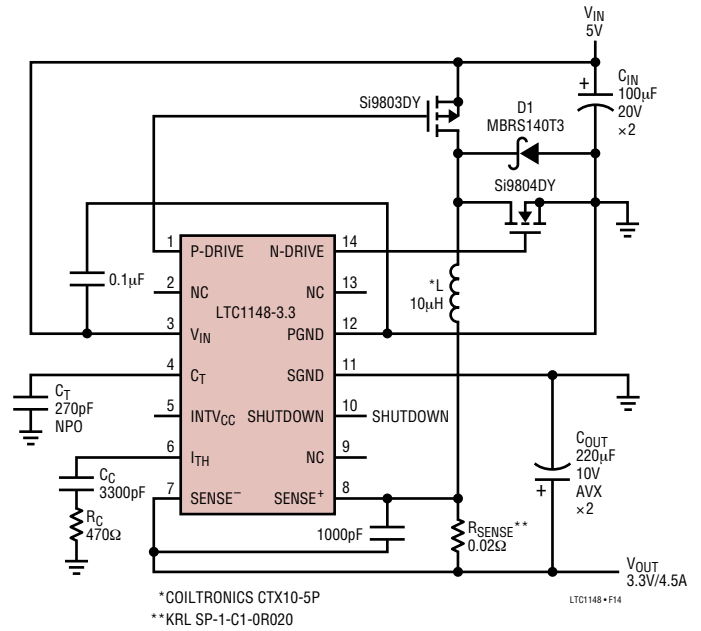


Figure 14. High Efficiency 5V to 3.3V/4.5A Converter

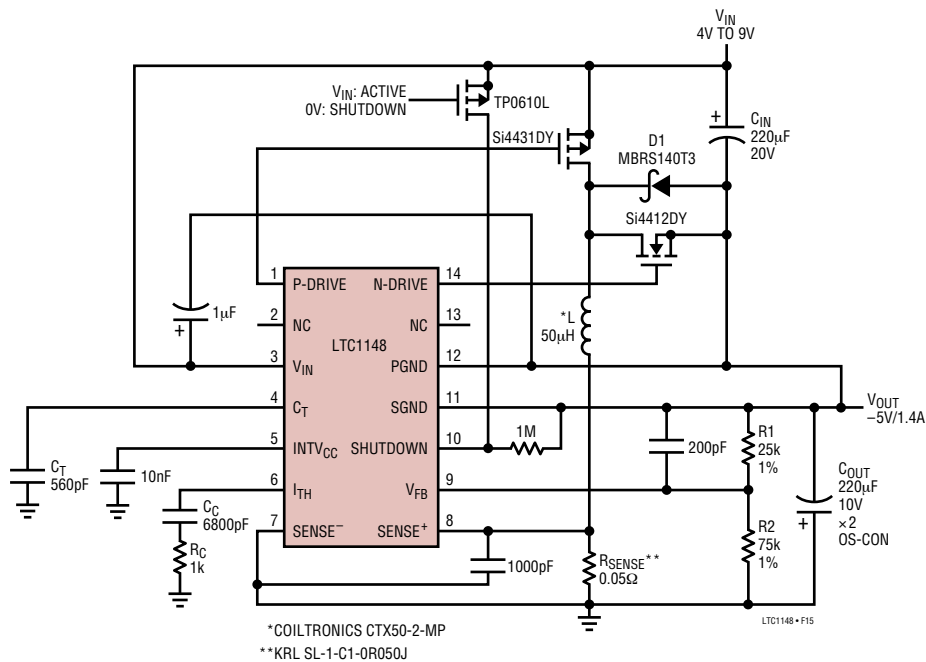


Figure 15. 4V to 9V Input Voltage to -5V/1A Regulator



## TYPICAL APPLICATIONS

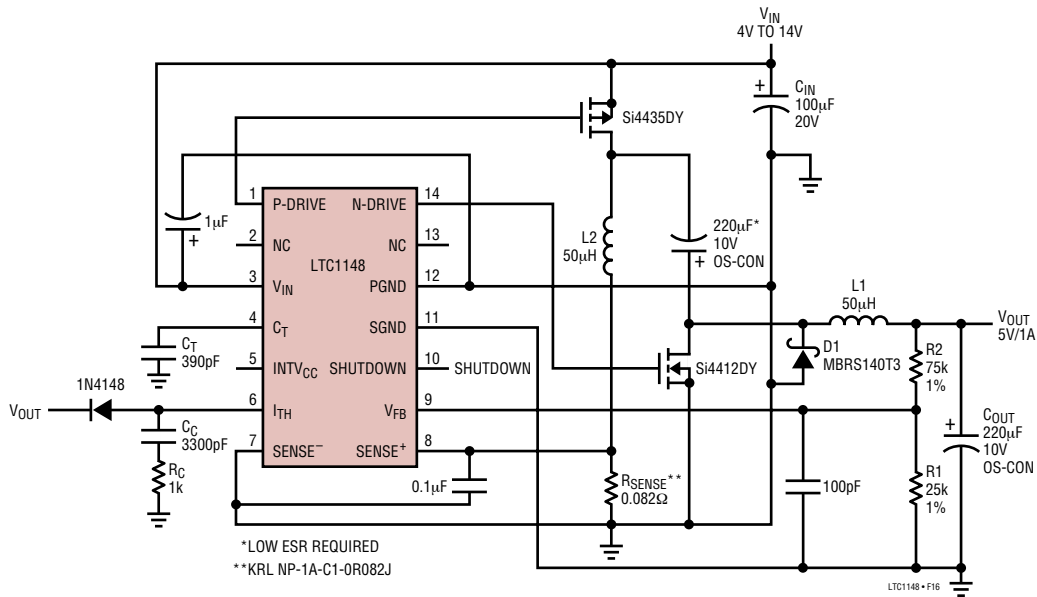


Figure 16. 4V to 14V Input Voltage to 5V/1A Regulator with Current Foldback

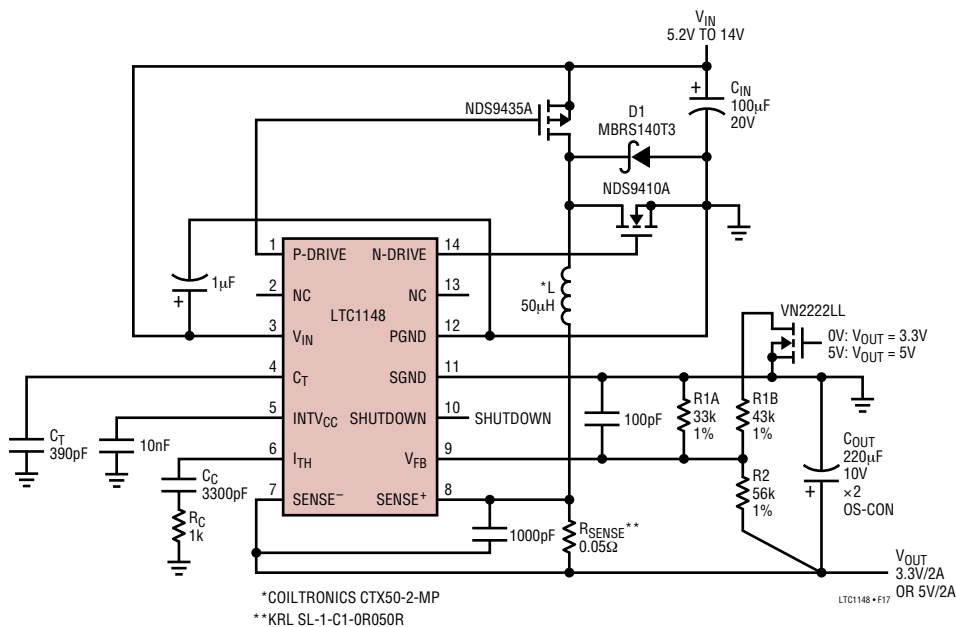
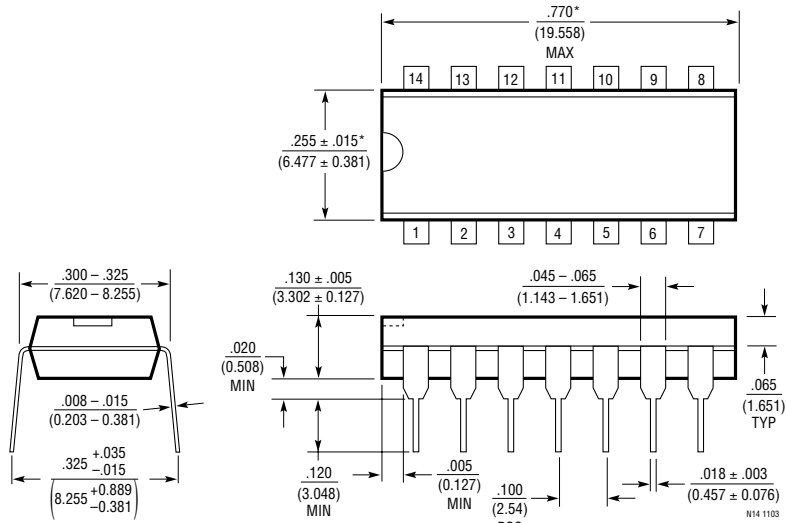


Figure 17. Logic Selectable 5V/1A or 3.3V/1A High Efficiency Regulator

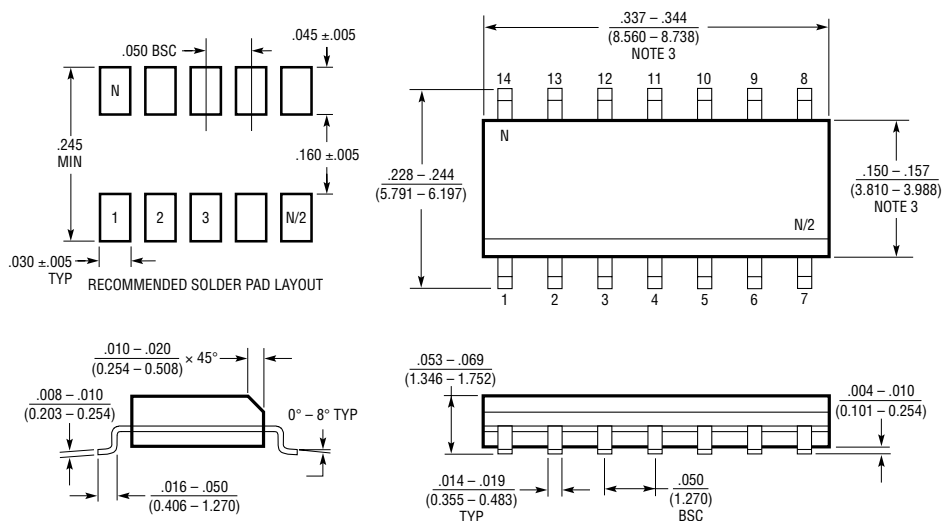
# PACKAGE DESCRIPTION

## N Package 14-Lead PDIP (Narrow 0.300) (LTC DWG # 05-08-1510)



NOTE:  
1. DIMENSIONS ARE IN INCHES  
MILLIMETERS  
\*THESE DIMENSIONS DO NOT INCLUDE MOLD FLASH OR PROTRUSIONS.  
MOLD FLASH OR PROTRUSIONS SHALL NOT EXCEED .010 INCH (0.254mm)

## S Package 14-Lead Plastic Small Outline (Narrow 0.150) (LTC DWG # 05-08-1610)



NOTE:  
1. DIMENSIONS IN INCHES  
(MILLIMETERS)  
2. DRAWING NOT TO SCALE  
3. THESE DIMENSIONS DO NOT INCLUDE MOLD FLASH OR PROTRUSIONS.  
MOLD FLASH OR PROTRUSIONS SHALL NOT EXCEED .006" (0.15mm)

## TYPICAL APPLICATION

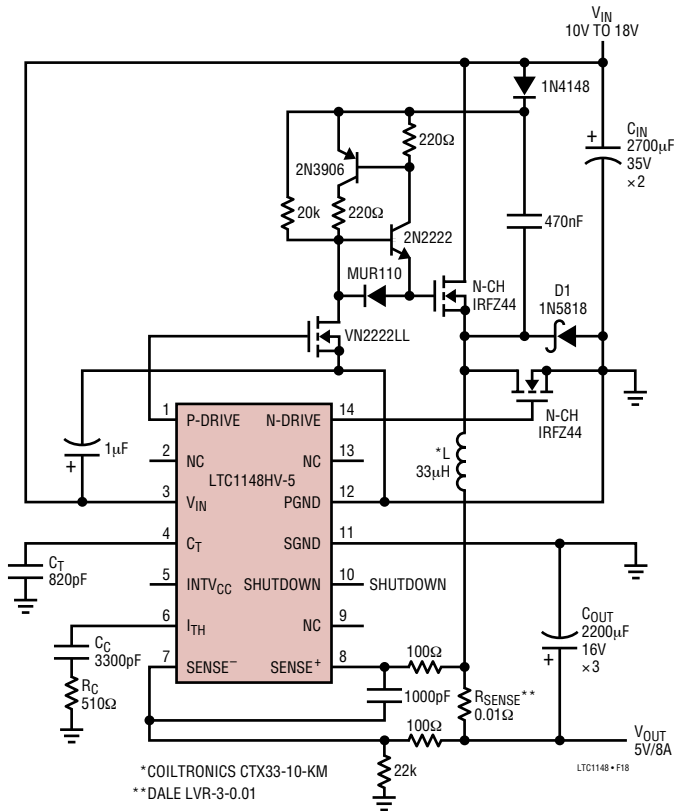


Figure 18. All N-Channel 5V/8A High Efficiency Regulator (Burst Mode Operation Suppressed)

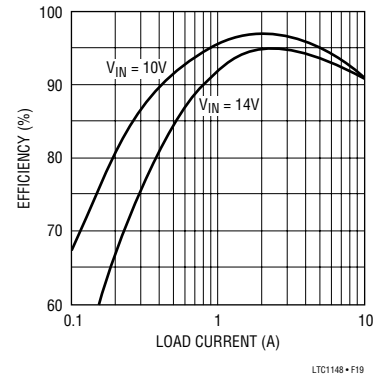


Figure 19. All N-Channel 5V/8A Efficiency  
For additional high efficiency application circuits, see Application Notes 54, 58 and 66

## RELATED PARTS

PART NUMBER	DESCRIPTION	COMMENTS
LTC1142	Dual High Efficiency Synchronous Step-Down Switching Regulator	Dual LTC1148
LTC1143	Dual High Efficiency Step-Down Switching Regulator Controller	Nonsynchronous Dual Output
LTC1147	High Efficiency Step-Down Switching Regulator Controller	Nonsynchronous Equivalent to LTC1148, 8-Pin
LTC1149	High Efficiency Synchronous Step-Down Switching Regulator	$V_{IN} < 48V$ , Standard Threshold MOSFETs
LTC1159	High Efficiency Synchronous Step-Down Switching Regulator	$V_{IN} < 40V$ , Logic Level MOSFETs
LTC1174	High Efficiency Step-Down and Inverting DC/DC Converter	Nonsynchronous 8-Pin Internal Switch
LTC1265	1.2A, High Efficiency Step-Down DC/DC Converter	Nonsynchronous Internal Switch
LTC1435A	High Efficiency Low Noise Synchronous Step-Down Switching Regulator	Synchronous N-Channel, Constant Frequency
LTC1538-AUX	Dual High Efficiency, Low Noise, Synchronous Step-Down Switching Regulator	Auxiliary Linear Regulator, 5V Standby in Shutdown